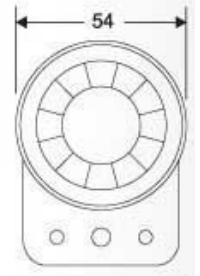
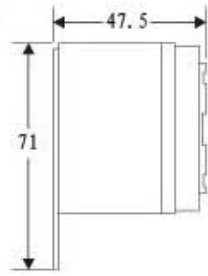


PIEZO SIREN (BUZZER) 压电报警器



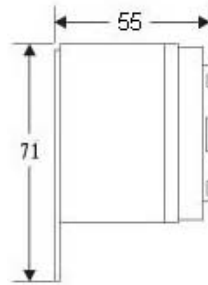
ITEM NO.:PS101

Voltage: DC 12 V / 24V
 Current: 150 mA
 Sound Type: 1Tone/ 6 Tone
 SPL: 110 dB
 Material: ABS
 Color: Black / Red / White
 Packing: 200PCS / Carton
 MEAS:39.5 X 29.5 X 43CM



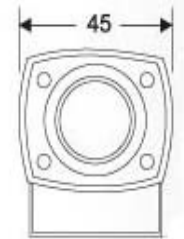
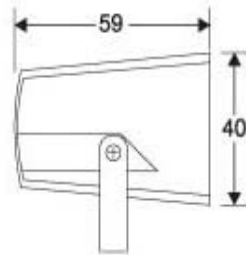
ITEM NO.:PS101A

Voltage: DC 12V/ 24V,AC 110V/ 220V
 Current: 150 mA
 Sound Type: 1Tone/ 6 Tone
 SPL: 110 dB
 Material: ABS
 Color: Black / Red / White
 Packing: 200PCS / Carton
 MEAS:39.5 X 29.5 X 47CM



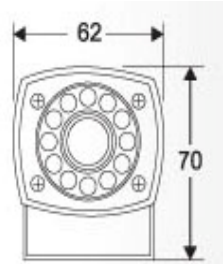
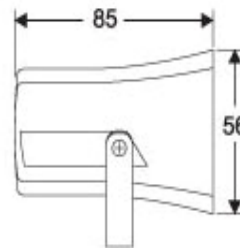
ITEM NO.:PS102

Voltage: DC 12 V / 24V
 Current: 130 mA
 Sound Type: 1Tone/ 6 Tone
 SPL: 105 dB
 Material: ABS
 Color: Black / White
 Packing: 200PCS / Carton
 MEAS:36 X 27 X 40CM



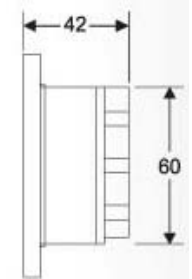
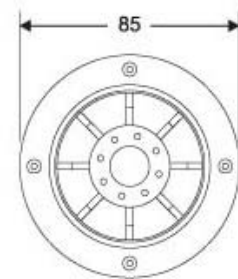
ITEM NO.:PS103

Voltage: DC 12 V / 24V
 Current: 160 mA
 Sound Type: 1Tone/ 6 Tone
 SPL: 112 dB
 Material: ABS
 Color: Black / White
 Packing: 100PCS / Carton
 MEAS:37.5 X 34.2 X 31.5CM



ITEM NO.:PS104

Voltage: DC 12 V / 24V
 Current: 250mA or 150 mA
 Sound Type:Hi-Lo Tone, 1/ 6 Ton
 SPL: 120dB/ 112 dB
 Material: ABS
 Color: Black / White
 Packing: 200PCS / Carton
 MEAS:44.5 X 36 X 46CM

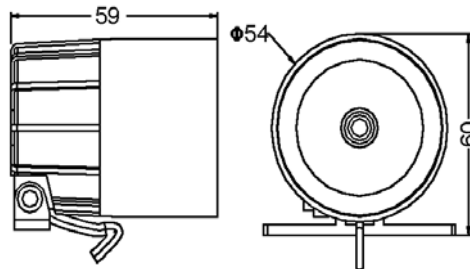


PIEZO SIREN (BUZZER) 压电报警器



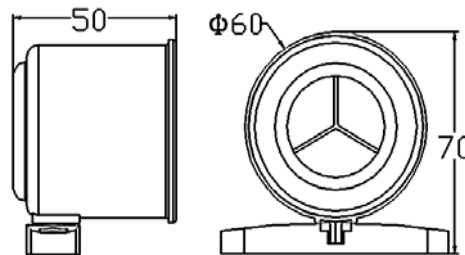
ITEM NO.:PS105

Voltage: DC 12 V / 24V
 Current: 150 mA
 Sound Type: 1Tone/ 6 Tone
 SPL: 110 dB
 Material: ABS
 Color: Black / White
 Packing: 200PCS / Carton
 MEAS:39.5 X 29.5 X 47CM



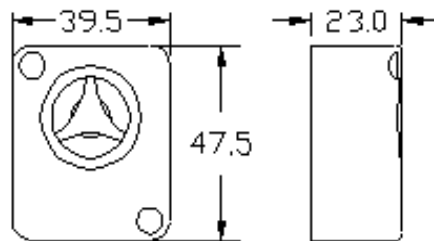
ITEM NO.:PS106

Voltage: DC 12 V / 24V
 Current: 150 mA
 Sound Type: 1Tone/ 6 Tone
 SPL: 105 dB
 Material: ABS
 Color: Black / White
 Packing: 200PCS / Carton
 MEAS:36 X 27 X 40CM



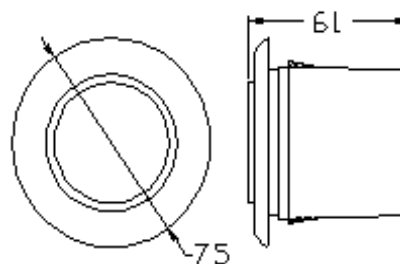
ITEM NO.:PS107

Voltage: DC 12 V / 24V
 Current: 130 mA
 Sound Type: 1Tone/6 Tone
 SPL: 105 dB
 Material: ABS
 Color: Black / White
 Packing: 500PCS / Carton
 MEAS:43.5 X 29.5 X 27CM



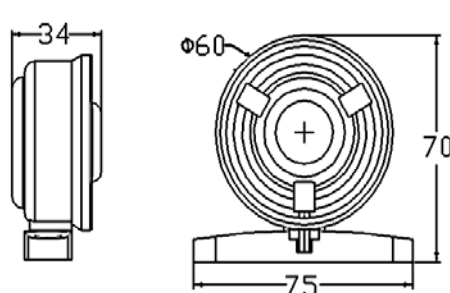
ITEM NO.:PS108

Voltage: DC 12 V / 24V
 Current: 150 mA
 Sound Type: 1Tone/ 6 Tone
 SPL: 110 dB
 Material: ABS
 Color: Black / White
 Packing: 200PCS / Carton
 MEAS:39 X 39 X 47CM



ITEM NO.:PS109

Voltage: DC 12 V / 24V
 Current: 150 mA
 Sound Type: 1Tone/ 6 Tone
 SPL: 105 dB
 Material: ABS
 Color: Black / White
 Packing: 200PCS / Carton
 MEAS:35.5 X 33 X 37.5CM

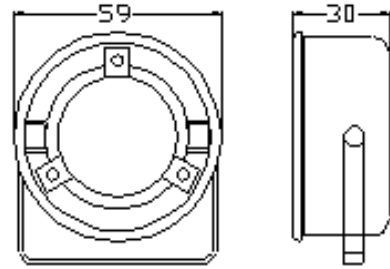


PIEZO SIREN (BUZZER) 压电报警器



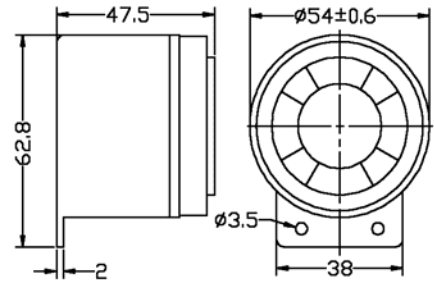
ITEM NO.:PS110

Voltage: DC 12 V / 24V
 Current: 150 mA
 Sound Type: 1Tone/ 6 Tone
 SPL: 105 dB
 Material: ABS
 Color: Black / White
 Packing: 200PCS / Carton
 MEAS:35.5 X 33 X 37.5CM



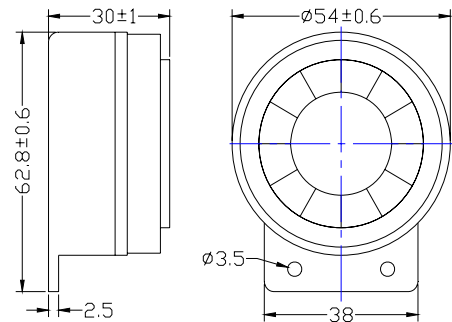
ITEM NO.:PS111

Voltage: DC 12V/ 24V
 Current: 150 mA
 Sound Type: 1Tone/ 6 Tone
 SPL: 110 dB
 Material: ABS
 Color: Black / Red / White
 Packing: 200PCS / Carton
 MEAS:39.5 X 29.5 X 47CM



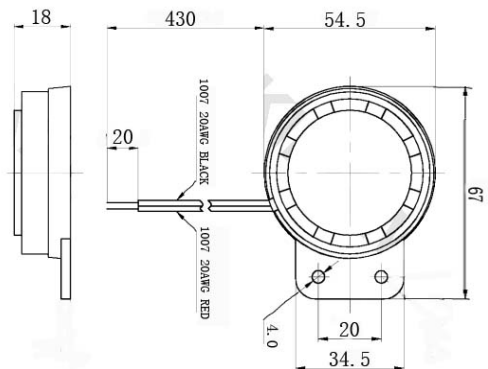
ITEM NO.:PS111A

buzzer:Passive
 Frequency:2.6K Hz
 SPL: 110 dB
 Material: ABS
 Color: Black / Red / White
 Packing: 200PCS / Carton
 MEAS:39.5 X 29.5 X 25CM



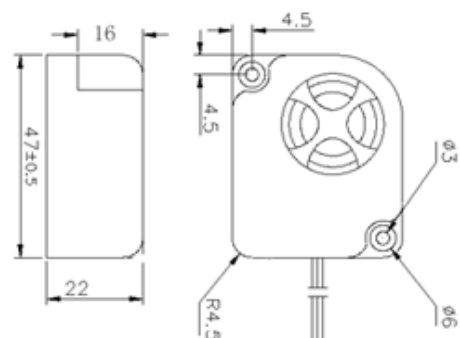
ITEM NO.:PS-112

Voltage: DC 12 V / 24V
 Current: 150 mA
 Sound Type: 1Tone/6 Tone
 SPL: 108 dB
 Material: ABS
 Color: Black / White
 Packing: 200PCS / Carton
 MEAS:35.5 X 33 X 37.5CM



ITEM NO.:PS113

Voltage: DC 12 V / 24V
 Current: 130 mA
 Sound Type: 1Tone/ 6 Tone
 SPL: 105 dB
 Material: ABS
 Color: Black / White
 Packing: 500PCS / Carton
 MEAS:43.5 X 29.5 X 27CM

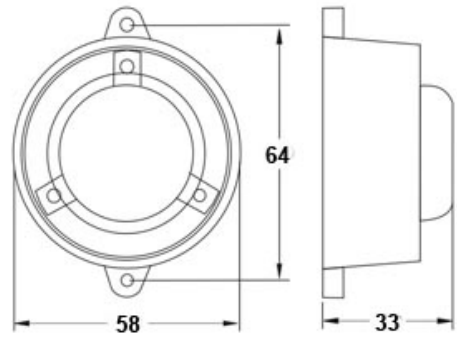


PIEZO SIREN (BUZZER) 压电报警器



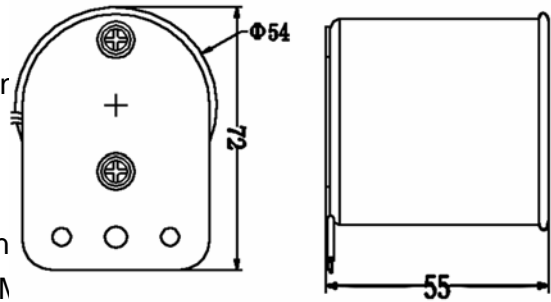
ITEM NO.:PS114

Voltage: DC 12 V / 24V
 Current: 150 mA
 Sound Type: 1Tone/6 Tone
 SPL: 105 dB
 Material: ABS
 Color: Black / White
 Packing: 200PCS / Carton
 MEAS:35.5 X 33 X 37.5CM



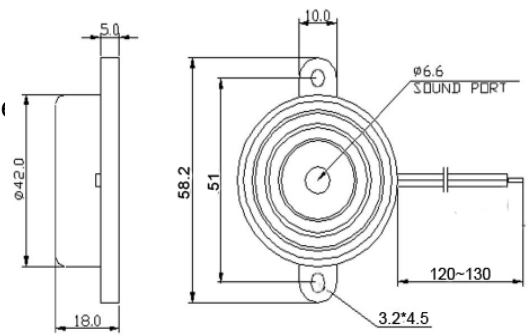
ITEM NO.:PS115

Voltage: DC 12 V / 24V
 Current: 150 mA
 Sound Type: 1Tone/6 Tone
 SPL: 110 dB
 Material: ABS
 Color: Black / White
 Packing: 200PCS / Carton
 MEAS:39.5 X 29.5 X 47CM



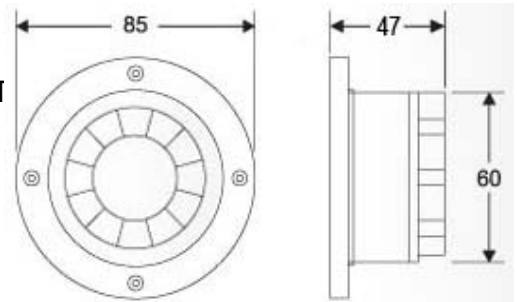
ITEM NO.:PS116

Voltage: DC 12 V / 24V
 Current: 130 mA
 Sound Type: 1Tone/ 6 Tone
 SPL: 105 dB
 Material: ABS
 Color: Black / White
 Packing: 500PCS / Carton
 MEAS:43.5 X 29.5 X 27CM



ITEM NO.:PS117

Voltage: DC 12 V / 24V
 Current: 250mA or 150 mA
 Sound Type:Hi-Lo Tone, 1/ 6 T
 SPL: 120dB/ 112 dB
 Material: ABS
 Color: Black / White
 Packing: 200PCS / Carton
 MEAS:44.5 X 36 X 46CM



Company Name: Yuyao City Chebang Electronic Technology Co., Ltd
 Add: Donglu Centre Road No.27,Dongpu Village,Simen Town,Yuyao City,ZhejiangProvince,China.
 Tel: +86-574-62506221,Fax: +86-574-62506296
 ZIP:315470
 E-mail:chebang_sale@aliyu.com
<http://chebao.en.alibaba.com>
<http://www.chebaokj.com>