

高通管道 · 北京制造
Gaotong Pipes, Made in Beijing

BEIJING Zhongcaiwanxin

SCIENCE & TECHNOLOGY CO., LTD.



高通[®]
GAOTONG

**PP-R
管材系列**

北京中财万鑫科技有限公司

www.zhongcaiwanxin.com

关于中财万鑫

ABOUT ZHONGCAIWANXIN

Beijing Zhongcaiwaxin Science & Technology Co.,Ltd is a modernized enterprise integrating with research development, manufacturing and selling plastic pipe and fittings. The headquarter is located in Beijing , the capital of China. Our main products include various series of PE pipes, PVC pipes, PP-R pipes, M-PP electric conduit, PE-RT pipes, siphon drainage, irrigation pipe and fittings, gas pipeline, double corrugated pipes.

Since its establishing, we adhere to the “exquisite quality, excellent pursuit” approach and unremittingly carry out the implementation of ISO9001: 2008 quality management system, Xinhua water-saving authentication, Beijing sanitation permission. And we are designated as one of supplier of MWR rural safe drinking water supply. Through continuous development , we have set up 30 wholly-owned subsidiaries in Beijing. Hebei province, Shandong province , northeast China , Inner Mongolia and other provinces and cities and business spreading to most parts of the rural areas with a sound service system, which has been widely recognized by the industries.





“Endeavor to be the leading enterprise of Chinese pipe industry” is the common goal of everyone and we persist developmental ideology of “scientific and technological innovation, people oriented” earn their support and trust by focusing on reliable products, superior service. We conduct ourselves by the code of “high standard, outstanding quality, high efficiency”, providing customers with a full range of “Qianxin” products.

We are willing to hold hands with friends from the community and social circles to make commit ourselves to a new friendly-environmental pipeline service of our nation.

QUALIFICATION



PP-R 管材

PP-R pipes



产品简介 >> Product Introduction



Qianxin PP-R pipe, also called random copolymerized polypropylene (type III) pipe, is a new generation of environment - friendly construction materials developed in the 1990s. Besides plastic pipe merits such as lightness, corrosion resistance, anti-deposition and long service life, PP-R pipe also enjoy some other advantages, like hygiene, heat-resistance and longer service life. Meanwhile, their coefficient of heat conductivity is quite low and they are good at heat preservation and energy conservation. Because of the technique of thermal binding, they are friendly construction materials. Compared with plastic compound pipe, PP-R pipe and fittings are widely used in such areas as delivery of drinking water, production and delivery system of purified water and drinks, transportation of chemical fluids, heating pipes, circulation system of hot water, pipes in agriculture, planting in gardens and parks and ranches.etc.

产品特性 >> Product Features

- Extremely long life of at least 50 years
- Taste and odor neutral
- Unique and unrivalled connection technique with security for a life-time.
- Good chemical resistance
- Good impact strength
- Physiologically harmless
- Bacteriologically neutral
- Heat-preservation and energy-saving
- Resistance to high temperature(100°C)
- Convenient and reliable installation
- No pipe furring
- Sound insulation
- Recyclable for the benefit of environment

适用范围 >>

Scope of Application

Potable water pipe networks for cold and warm water installation i.e. in residential buildings etc.

Pipe networks for rainwater utilization systems.

Pipe networks for compressed-air plants

Pipe networks for swimming pool facilities.

Pipe networks for solar plants.

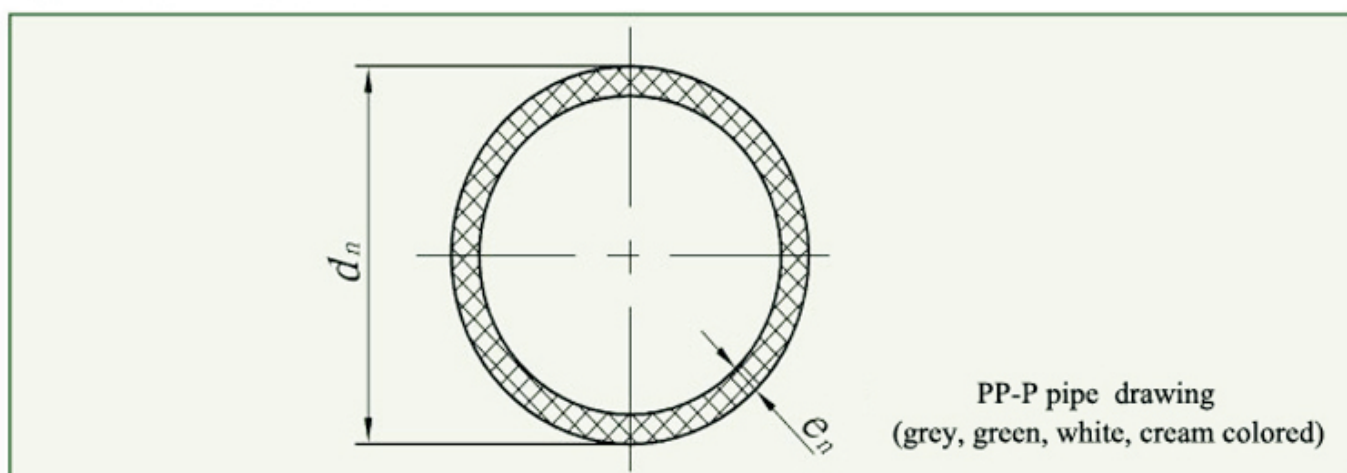
Pipe networks in agriculture and horticulture.

Pipe network for industry, i.e. transport of aggressive fluids

Transport of liquid food.

规格尺寸 >>

Specifications and Size



Specifications

单位: mm

公称外径 dn		壁厚 (e _n)									
		管系列 (S)									
		S5		S4		S3.2		S2.5		S2	
Thickness & Tolerance											
20	+0.3 0	2.0	+0.3 0	2.3	+0.4 0	2.8	+0.4 0	3.4	+0.5 0	4.1	+0.6 0
25	+0.3 0	2.3	+0.4 0	2.8	+0.4 0	3.5	+0.5 0	4.2	+0.6 0	5.1	+0.7 0
32	+0.3 0	2.9	+0.4 0	3.6	+0.5 0	4.4	+0.6 0	5.4	+0.7 0	6.5	+0.8 0
40	+0.4 0	3.7	+0.5 0	4.5	+0.6 0	5.5	+0.7 0	6.7	+0.8 0	8.1	+1.0 0
50	+0.5 0	4.6	+0.6 0	5.6	+0.7 0	6.9	+0.8 0	8.3	+1.0 0	10.1	+1.2 0
63	+0.6 0	5.8	+0.7 0	7.1	+0.9 0	8.6	+1.0 0	10.5	+1.2 0	12.7	+1.4 0
75	+0.7 0	6.8	+0.8 0	8.4	+1.0 0	10.3	+1.2 0	12.5	+1.4 0	15.1	+1.7 0
90	+0.9 0	8.2	+1.0 0	10.1	+1.2 0	12.3	+1.4 0	15.0	+1.6 0	18.1	+2.0 0
110	+1.0 0	10.0	+1.1 0	12.3	+1.4 0	15.1	+1.7 0	18.3	+2.0 0	22.1	+2.4 0

PP-R 管件

PP-R pipes fittings



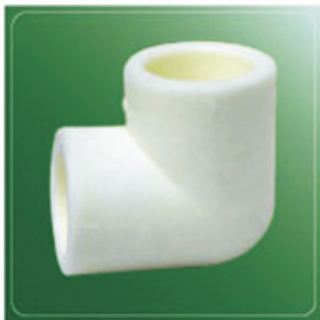
PP-R管件产品示意图 >>
PP-R pipes fittings



Coupling	
S20×20	S90×90
S25×25	S110×110
S32×32	
S40×40	
S50×50	
S63×63	
S75×75	



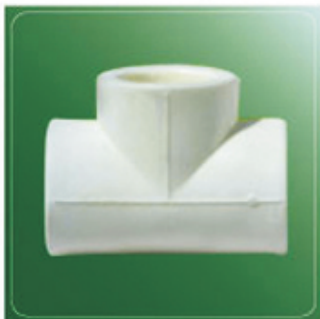
Reducer		
S25×20	S63×25	S90×25
S32×20	S63×32	S90×32
S32×25	S63×40	S90×40
S40×20	S63×50	S90×50
S40×25	S75×20	S90×63
S40×32	S75×25	S90×75
S50×20	S75×32	S110×50
S50×25	S75×40	S110×63
S50×32	S75×50	S110×75
S50×40	S75×63	S110×90
S63×20	S90×20	S160×110



90° Bend	
L20×20	L90×90
L25×25	L110×110
L32×32	
L40×40	
L50×50	
L63×63	
L75×75	



45° Bend	
L20×45°	
L25×45°	
L32×45°	
L40×45°	
L50×45°	
L63×45°	



Equal Tee	
T20×20×20	T90×90×90
T25×25×25	T110×110×110
T32×32×32	
T40×40×40	
T50×50×50	
T63×63×63	
T75×75×75	



Cap	
D20	D90
D25	D110
D32	
D40	
D50	
D63	
D75	



Crps	
4T20	
4T25	
4T32	
4T40	



Union	
Φ20	
Φ25	
Φ32	
Φ40	



Female Coupling

S20×1/2F	S40×5/4F
S20×3/4F	S50×3/2F
S25×1/2F	S63×2F
S25×3/4F	
S32×1/2F	
S32×3/4F	
S32×1F	



Male Coupling

S20×1/2M	S40×5/4M
S20×3/4M	S50×3/2M
S25×1/2M	S63×2M
S25×3/4M	
S32×1/2M	
S32×3/4M	
S32×1M	



Female Bend

L20×1/2F
L20×3/4F
L25×1/2F
L25×3/4F
L32×1/2F
L32×3/4F
L32×1F



Male Bend

L20×1/2M
L20×3/4M
L25×1/2M
L25×3/4M
L32×1/2M
L32×3/4M
L32×1M



Female Tee

T20×1/2F
T20×3/4F
T25×1/2F
T25×3/4F
T32×1/2F
T32×3/4F
T32×1F



Male Tee

T20×1/2M
T20×3/4M
T25×1/2M
T25×3/4M
T32×1/2M
T32×3/4M
T32×1M



Female Union

HJ20×1/2F
HJ25×1/2F
HJ25×3/4F
HJ32×1F
HJ40×5/4F
HJ50×3/2F
HJ63×2F



Male Union

HJ20×1/2M
HJ25×1/2M
HJ25×3/4M
HJ32×1M
HJ40×5/4M
HJ50×3/2M
HJ63×2M



Gate Valve

Φ20
Φ25
Φ32
Φ40
Φ50
Φ63
Φ75



Cross-over Bend

Φ20
Φ25
Φ32

PP-R安装规范 >>

PP-R installation specification

A) 安装前准备 Pre-installation

1. Before installation, prepare well melting machine, ruler, cleaning towel, mark pen, scissors
2. The melting machine needs to be against the wall.
3. Before connecting power, check with size and security of the joint of the melting machine
4. Red light means to be heating, green light means to be ready for jointing
5. Check if the pipes and fittings are compatible or not



B) 清洁管材管件熔接表面 Clean the surface of the jointed pipe and fittings

1. Shall be sure that there is not any contaminant on the surface of the jointed pipe and fittings before jointing.
2. In general, remove 2-3 cm pipe, or 4-5 cm if crack



C) 管材熔接深度划线 Mark the melting deepness

Mark a circle line along with the tube no less than the minimum socket deepness before melting



D) 熔接加热 Heating

1. Push the pipe and fitting evenly into the melt pattern until to the mark line on the pipe and the flat point between the fitting's socket and the melt pattern.
2. No rotation and tilt during the push.
3. Conduct the speculation of the heating time, normally extend 50% time in winter



E) 对接插入及调整 Jointing

1. Insert as soon as possible to prevent the surface hardening untimely
2. Allowed 5°adjustment, but must finish within the stipulated time.
3. No allowed rotation between pipe and fitting.



F) 定型及冷却 Cooling

1. Insert the pipe end into the socket and holding it in place until the joint cools.
2. Apply cooling naturally and prohibit use water and ice, etc to cool forcibly



G) 管道试压 Pressure test

1. To test pressure under the normal temperature and within the speculated time after installation.
2. Shall place a vent at the top of the pipe, only when the inside air is emitted totally, the test would be processed.
3. General acceptance for cold water pipe pressure is 1.5 times than the system working pressure and 2 times for hot water pipe. Keeping not less than half an hour. Pressure drop shall be under 6%.
4. It is recommended to test pressure phase by phase, then total network after, rather than a one-time test after the completion of the entire project.
5. The end cap shall be specially used for testing.

注意事项 >>

Notes

1. Pipes and fittings shall be stored in well ventilated rooms or simple shed, not open storage, to prevent direct sunlight and fire, keeping away from the heating source shall be not less than 1m.
2. Pipes should be stacked horizontally on flat ground, no less than 2 meters high. Fittings should be placed layer by layer, no better than too high.
3. When transporting pipes and fittings, should be handled carefully, avoid contaminant, prohibited dramatically to impact with sharp objects.
4. Hitting pipes and fittings is not allowed, especially at lower temperature.
5. The time of melting must be strictly in accordance with the provisions.
6. Cutting pipe must be perpendicular to the pipe axial direction and keep the incision clean.
7. When melting, the pipe and fitting maximum deviation shall not be more than 5 degrees.

高通管道 · 北京制造
Gaotong Pipes, Made in Beijing



北京中财万鑫科技有限公司
Beijing Zhongcaiwanxin Science & Technology Co.,Ltd.

Factory Location: Xizhuang Industrial Zone, Daxing Dist. Beijing, China

Website: www.zhongcaiwanxin.com

email: sales@bj-zcwx.com

michaeolzcwx@163.com

Tell: +86-(0)10-59420386

Fax: +86-(0)10-60279688