

# TD FLOW





ANHUI TONGDU FLOW TECHNOLOGY CO.,LTD.



Anhui Tongdu Flow Technology Co., Ltd.(Anhui Tongdu Valve Co., Ltd. )locates in Tongling city, Anhui province which is known as “China ancient copper capital” and beside Changjiang river.It adjoins Huangshan Mountain with beautiful landscape and sacred Buddhist site Jiuhuashan Mountain.The company was founded in 1993, the registered capital is 60.58 million yuan.The company covers 248 acres and with 53000 square meters of building area. We have all kinds of mechanical processing and specialized equipment 400 (sets).Such as five meters large vertical lathe,high precision boring machine, four axis metal mold CNC machining center,automatic spraying production line, High precision direct reading spectrum analyzer, The physical and chemical metallographic testing equipment, rubber seal performance testing instrument and Dynamic testing center for valves, all these equipment have occupied domestic leading level.Our company listing in National equities exchange and quotations in April,2015, the stock code is 832250.

The company mainly manufacturing and selling series of the valves with high, middle, low pressure gate valves, Butterfly Valve, Check Valve, Globe Valve, Ball Valve, Regulating Valve, Water Pump Control Valve, Expansion Joint, water environment protection equipments(Penstock,Hoist, Weir Gate, Grille etc.) this can fully meet our customers’“one-stop” needs.The company also has development and operation ability for mechanical and electrical equipment installation construction integration and water engineering contractor project. We can produce the nominal diameter 2.2 meters of Gate Valve,2.2 meters of Eccentric Semi Ball

# ABOUT US

Valve, 3.6 meters of Butterfly Valve and 6m\*6m Large Diameter cast iron Penstock. The products are widely applied to lots of professions such as water supply, sewage treatment, the petroleum, chemical engineering, metallurgy, electric power, water conservancy, ocean engineering construction, mines etc. industry. Our products are sold to all the provinces and autonomous regions in China, and far to North and South America, Occident, Southeast Asia etc. countries and regions.

Our company is "China general mechanical industrial association valve branch executive member of the council unit", "China industrial cooperative association executive member of the council unit"; "China urban water association group member of the unit", "China construction water supply and drainage association of vice president unit". The company is the national High and New Tech Enterprise, Multiple products are brand-name products in Anhui province. The company registered trademark for the "Tongding" is Chinese well-known trademark, The company has "engineering and technological research center for low pressure, large diameter valves in the Anhui province" and "Anhui provincial enterprise technology center" which approved by the provincial department. We have passed ISO9001 international quality management system, ISO14001 environmental management system certification and European CE system, Class A of TS certificate, WRAS certificate.

Our company have established a long-term strategic cooperative relations and the production-study-research cooperation mechanism with Hefei University of Technology and Hefei general machinery research institute. We also have a close technical and production cooperation with international well-know valve company AVM from Norway, provides an excellent platform for the foreign advanced technology, digestion, absorption and recreating. The company has 126 national patents, including 10 invention patents, and our company is awarded as "The top of national water supply and drainage valve manufacturing industry units" by the China valve Association. Be awarded as "China water industry valve equipment ten major customer satisfaction brand" by the China Water Network. "The famous brand of building water supply and drainage of the country in 2011-2012"; "The Outstanding contributions enterprise of building water supply and drainage of the country in 2011-2012"; "Intelligent valve top ten brand in 2015". The company has been granted "China industrial innovative outstanding enterprises", "Keeping contract and trustworthy enterprise in Anhui province", "Backbone enterprises in Anhui Province Environmental Protection Industry Base", "Provincial Excellent Private Enterprise", "Top 100 private enterprises in Anhui Province" for many years.

"Integrity, Stately, Rigorous, Innovation" is our constant concept, building internationally competitive world-class enterprises is our eternal pursuit



# OUR HONOR >>>



ISO9001管理体系认证证书



ISO14001环境认证证书



欧盟出口CE证书



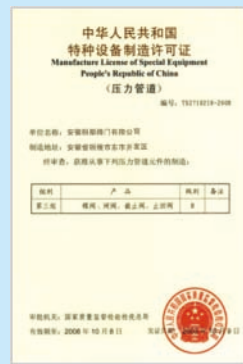
英国WRAS证书



安徽省高新技术产品认定证书



安徽科学技术研究成果



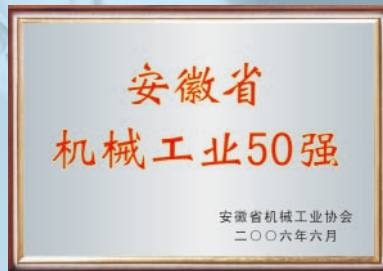
阀门生产制造许可证



安徽名牌产品证书



中国通用机械工业协会阀门分会  
会员单位会员证



安徽省机械工业50强



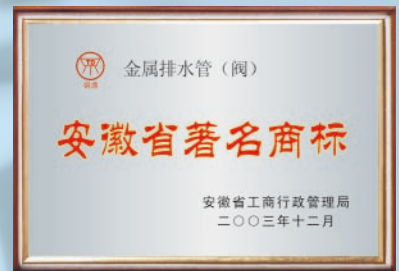
中国城镇供水协会会员单位



国家重点环境保护实用技术证书



全国质量稳定合格产品



安徽省著名商标



青海油田公司产品质量  
认可证书



蝶式缓闭止回阀专利证书



对夹式暗杆刀型闸阀专利证书



# WORKSHOP →



WORK SITE →



◆◆◆◆◆◆◆◆ **CUSTOMER VISIT** ➡➡



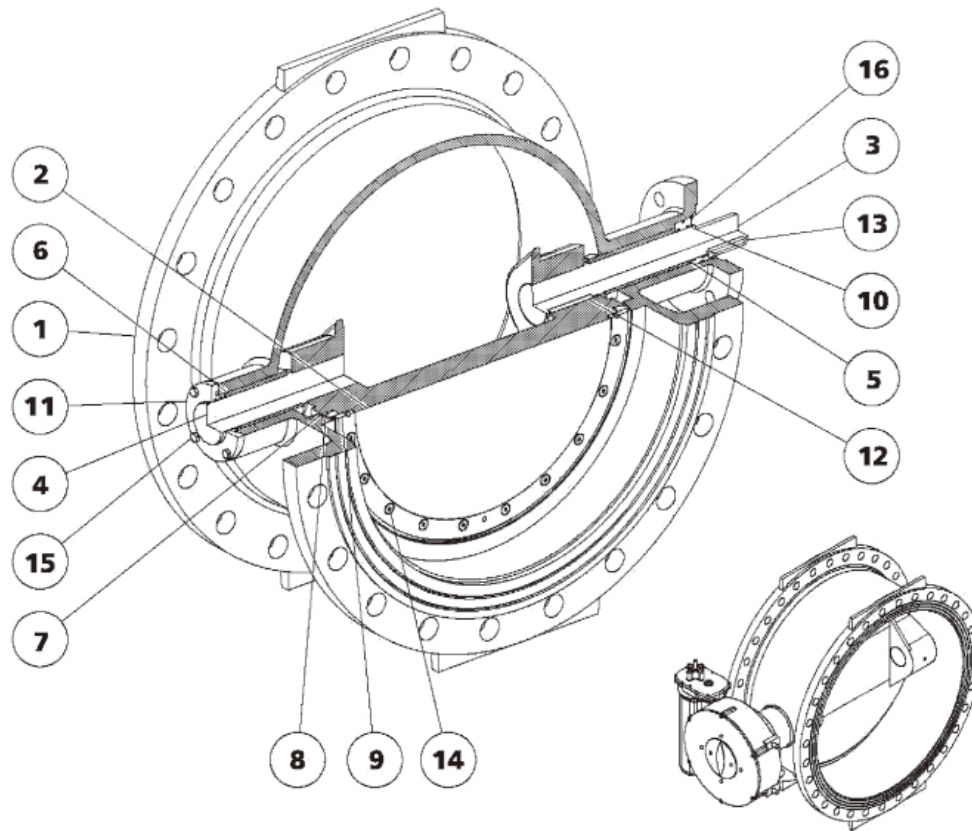


# Contents > >>

01	Double-Eccentric Butterfly Valve With Gearbox-PN 10-40
02	Double-Eccentric Butterfly Valve With Gearbox-PN 10-40
03	Metal Seated Gate Valve Non-Rising Spindle PN 10-25
04	Metal Seated Gate Valve Non-Rising Spindle PN 10-25
05	Non-Slam-Non Return Valve (Recoil type)- PN 10-25
06	Non-Slam-Non Return Valve(Recoil type) PN 10-25
07	Swing Check Valve Lever & Weight PN 10-40
08	Swing Check Valve Lever & Weight PN 10-40
09	Tilting Disc Check Valve PN 10-40
10	Tilting Disc Check Valve PN 10-40
11	Non rising stem resilient soft seated gate valve
12	Non rising stem resilient soft seated gate valve
13	Non rising stem resilient soft seated gate valve
14	Non rising stem resilient soft seated gate valve
15	BS/DIN Y Strainer
16	BS/DIN Y Strainer
17	Nozzle check valve
18	Nozzle check valve
19	Flap valve
20	Flap valve
21	Needle valve-Flow Control valve



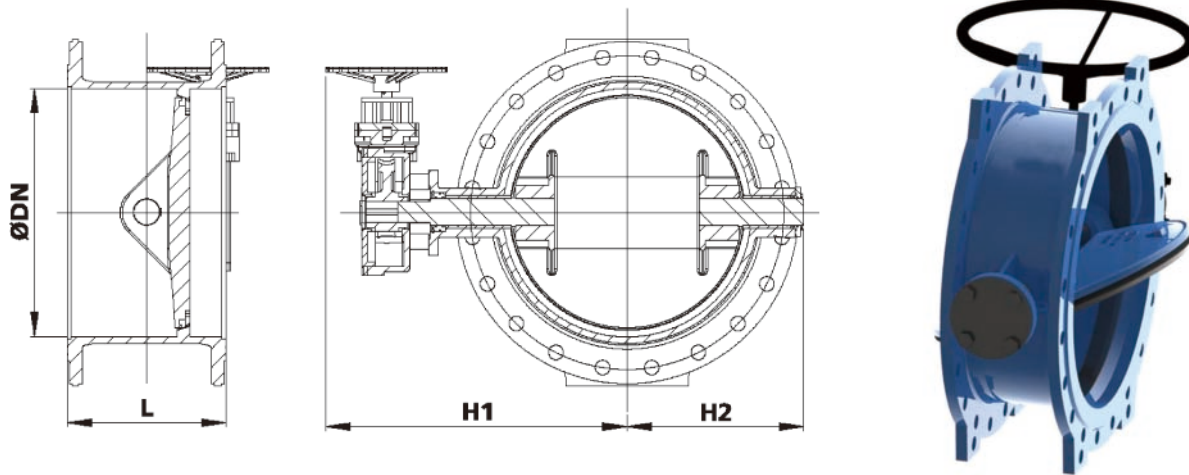
### Double-Eccentric Butterfly Valve With Gearbox-PN 10-40



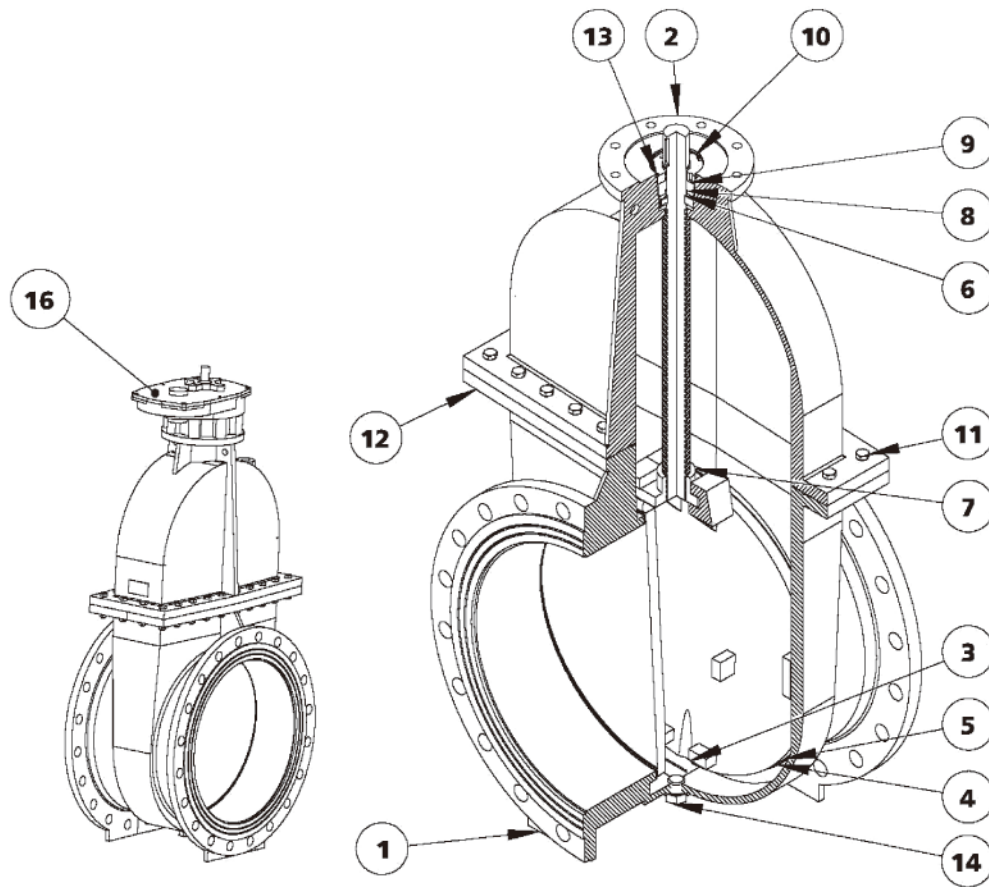
NO	Description	Material	Standard	BS Standard	DIN Standard
1	Body	Ductile Iron	GGG 50	2789-73Gr.500/7	1693 GGG-50
2	Disc	Ductile Iron	GGG 50	2789-73 Gr.500/7	1694 GGG-50
3	Drive Shaft	Stainless Steel	X20Cr13	970/4-70 420 S37	17440
		Stainless Steel	304SS	970/4-70 304 S15	17440 1.4301
		Stainless Steel	316SS	970/4-70 316 S16	17440 1.4401
4	Hinge Shaft	Stainless Steel	X20Cr13	970/4-70 420 S37	17440
		Stainless Steel	304SS	970/4-70 304 S15	17440 1.4301
		Stainless Steel	316SS	970/4-70 316 S16	17440 1.4401
5	Long Bearing	Bronze	Rg5	1400LG2	1705 G-CuSn5ZnPb
6	Short Bearing	Bronze	Rg5	1400LG2	1705 G-CuSn5ZnPb
7	Body Seat	Stainless Steel	Weld-on 316L	-	-
8	Sealing Ring	Rubber	EPDM	-	-
9	Retainer	Ductile Iron	GGG50	2789-73 Gr.500/7	1694 GGG-50
		Stainless Steel	304SS	970/4-70 304 S15	17440 1.4301
		Stainless Steel	316SS	970/4-70 316 S16	17440 1.4401
10	Sealing Bush	Stainless Steel	314SS	970/4-70 304 S15	17440 1.4301
11	Shaft Cover	Stainless Steel	314SS	970/4-70 304 S15	17440 1.4401
12	Key1	Stainless Steel	X20Cr13	970/4-70 420 S37	17440
13	Key2	Stainless Steel	X20Cr13	970/4-70 420 S37	17440
14	SCH Screw	Stainless Steel	A2	-	-
15	Hex Bolt	Stainless Steel	A2	-	-
16	Circlip	-	-	-	-



Double-Eccentric Butterfly Valve With Gearbox-PN 10-40



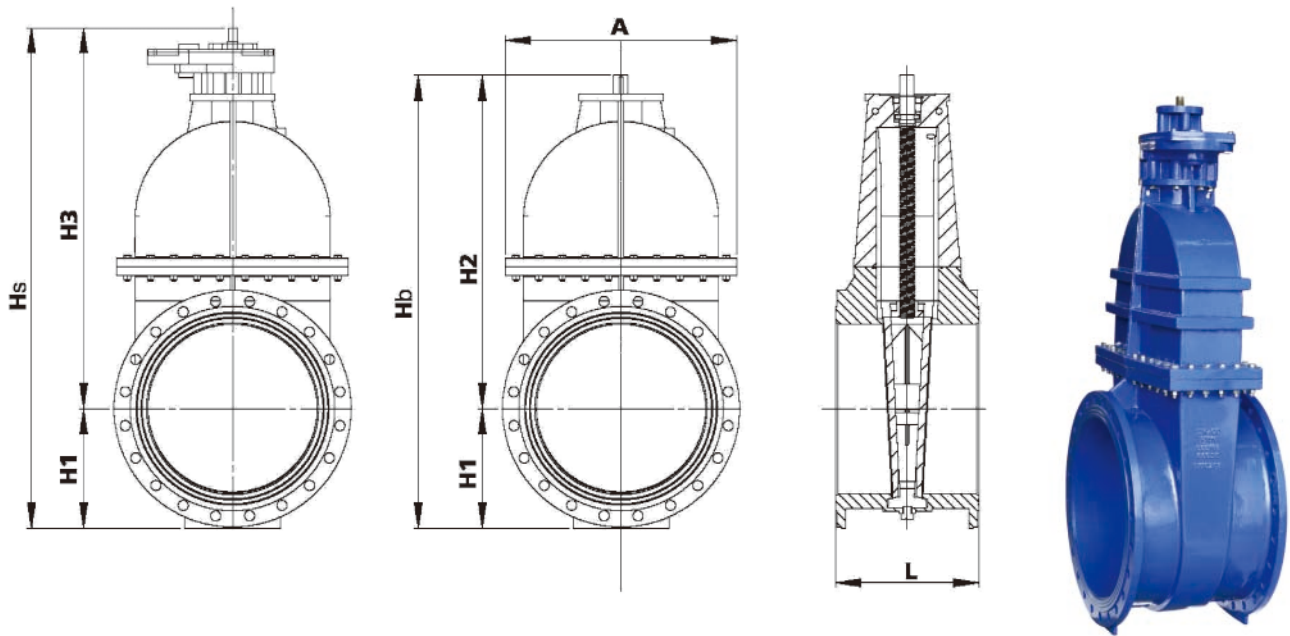
DN	PN10-16 EN 593(short) (Bs5155)		PN10-16 EN 593(long) (DIN 3202 F-4)		PN25-40 EN 593(long) (BS5155&DIN 320 F-4)			H1	H2
	L	W.(Kg)	L	W.(Kg)	L	Approx. W . (Kg)			
						PN 25	PN 40		
80	114	20	180	23	180	30	37	220	105
100	127	22	190	25	190	32	40	231	115
125	140	27	200	30	200	40	48	230	130
150	140	35	210	40	210	52	64	267	148
200	152	52	230	60	230	78	96	297	175
250	165	75	250	85	250	110	136	367	210
300	178	105	270	115	270	150	184	395	235
350	190	125	290	140	290	182	224	438	270
400	216	185	310	200	310	260	320	471	300
450	222	220	330	240	330	312	384	528	330
500	229	295	350	320	350	416	512	560	365
600	267	490	390	520	390	676	832	619	430
700	292	670	430	710	430	923	1136	697	465
800	318	940	470	990	470	1290	1585	763	525
900	330	1140	510	1220	510	1560	1920	833	573
1000	410	1525	550	1600	550	2080	2560	897	640
1100	410	1900	590	2000	590	2600	3200	1000	690
1200	470	2080	630	2200	630	2860	3520	1060	755
1400	530	3000	710	3150	710	4095	5040	1181	855
1500	575	3810	750	4000	750	5200	6400	1350	920
1600	600	4730	790	4950	790	6435	7920	1425	985
1800	670	7200	870	7500	870	9750	12000	1575	1080
2000	760	11160	950	11500	950	14950	18400	1680	1190
2200	-	-	1030	-	1030	-	-	1900	1300
2400	-	-	1110	-	1110	-	-	2000	1405
2600	-	-	1190	-	1190	-	-	2200	1510
2800	-	-	1270	-	1270	-	-	2310	1615
3000	-	-	1350	-	1350	-	-	2530	1730


**Metal Seated Gate Valve Non-Rising Spindle PN 10-25**


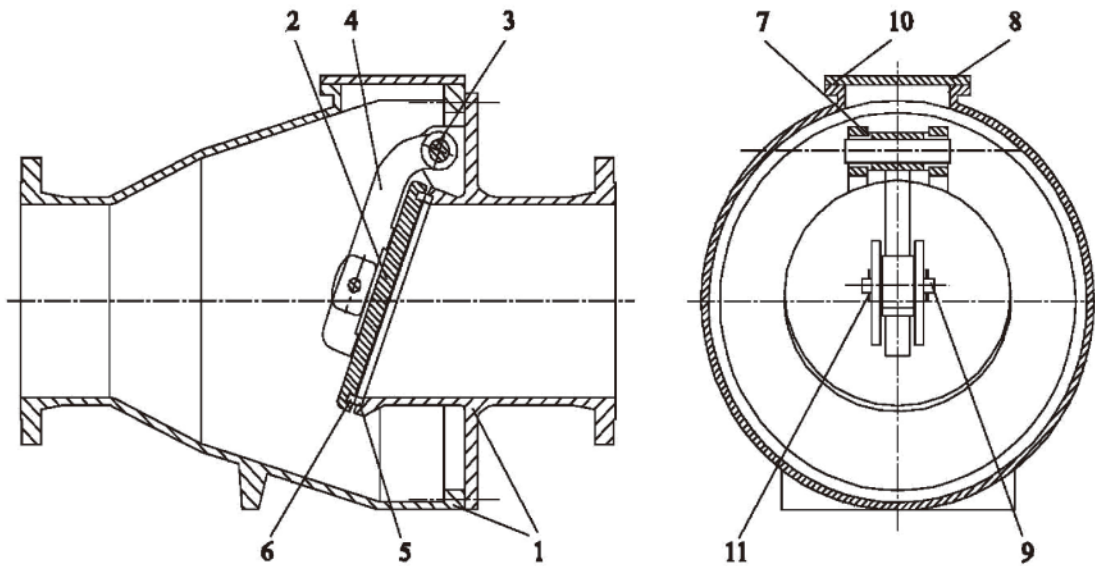
NO	Description	Material	Standard	BS Standard	DIN Standard
1	Body	Ductile Iron	GGG 50	2789-73 Gr.500/7	1693 GGG-50
2	Bonnet	Ductile Iron	GGG 50	2789-73 Gr.500/7	1694 GGG-50
3	Gate	Ductile Iron	GGG 50	2789-73 Gr.500/7	1694 GGG-50
4	Body Seat	Stainless Steel	Weld-on 316L	-	-
5	Disc Seat	Stainless Steel	Weld-on 316L	-	-
6	Stem	Stainless Steel	X20Cr13	970/4-70 420 S37	17440
		Stainless Steel	304SS	970/4-70 304 S15	17440 1.4301
		Stainless Steel	316SS	970/4-70 316 S16	17440 1.4401
7	Travelling Nut	Bronze	Rg5	1400LG2	1750 G-CuSn5ZnPb
8	Thrust Ring	Bronze	Rg5	1400LG2	1750 G-CuSn5ZnPb
9	Top Cover	Ductile Iron	GGG50	2789-73 Gr.500/7	1693 GGG-50
10	Sealing Bush	Stainless Steel	304SS	970/4-70 304 S15	17440 1.4301
11	Bolt	Stainless Steel	A2	-	-
12	Nut	Stainless Steel	A2	-	-
13	Retainer	Sping Steel	-	-	-
14	Tap	Bronze	Rg5	1400LG2	1750 G-CuSn5ZnPb
15	O-Ring	EPDM	-	-	-
16	Gearbox	-	-	-	-



Metal Seated Gate Valve Non-Rising Spindle PN 10-25



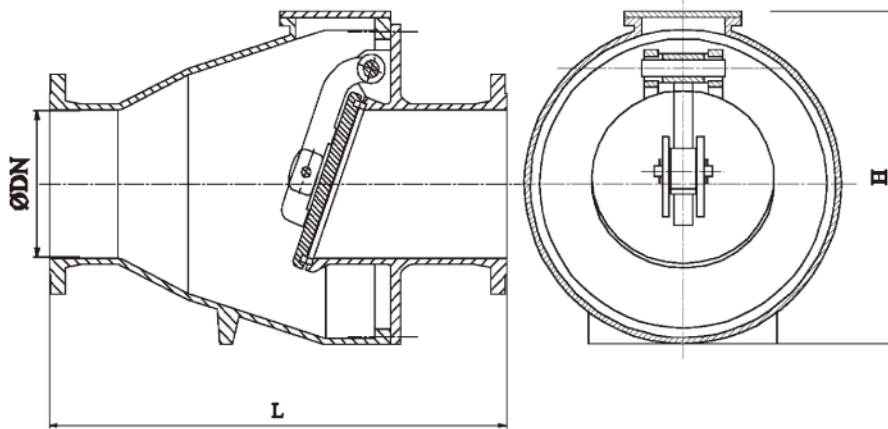
DN	PN 16 L	PN 25 L	H1	H2	H3	Hb	Hs	A	PN 16 (kg)	PN 16-spur (kg)	PN 25 (kg)	PN 25-spur (Kg)
200	292	419	170	610	850	780	1020	400	160	-	208	-
250	330	457	205	690	930	895	1135	470	230	-	299	-
300	356	502	230	800	1040	1030	1270	510	290	-	377	-
350	381	572	260	840	1080	1100	1340	540	350	370	455	485
400	406	610	290	910	1150	1200	1440	605	400	420	520	550
450	432	660	320	1010	1250	1330	1570	655	480	500	624	654
500	457	711	360	1090	1330	1450	1690	710	600	630	-	819
600	508	787	420	1250	1505	1670	1925	825	90	930	-	1209
700	610	810	455	1440	1695	1895	2150	1000	-	1500	-	1950
800	660	810	515	1600	1885	2115	2400	1100	-	2000	-	2600
900	711	810	565	1800	2085	2365	2650	1250	-	2450	-	3185
1000	811	1120	630	1940	2225	2570	2855	1285	-	3250	-	4225
1200	838	1120	745	1890	2280	2635	3025	1570	-	5400	-	7020
1400	1120	1120	845	2140	2530	2985	3375	1810	-	9000	-	11700
1600	1200	1200	965	2285	2675	3250	3640	2070	-	14000	-	-
1800	1200	1200	1065	2440	2830	3505	3895	2285	-	20000	-	-


**Non-Slam-Non Return Valve (Recoil type)- PN 10-25**


NO	Part	Std.	BS Std.	Description
1	Body & Inlet	GGG 50	2789-73Gr.500/7	Ductile Iron
2	Disc	GGG 50	2789-73 Gr.500/7	Ductile Iron
3	Shaft	X20Cr13	970/4-70 420 S37	Stainless Steel
4	Arm	GGG 50	2789-73 Gr.500/7	Ductile Iron
5	Body Seat	Weld-on 316L	-	Stainless Steel
6	Disc Seat	Weld-on 316L	-	Stainless Steel
7	Bearing	Rg5	1400LG2	Bronze
8	Cover	GGG 50	2789-73 Gr.500/7	Ductile Iron
9	Hing Pin	X20Cr13	970/4-70 420 S37	Stainless Steel
10	O-Rings	EPDM	-	Bronze
11	Pins	AIS1304	970/4-70 Gr 316 S16	Stainless Steel



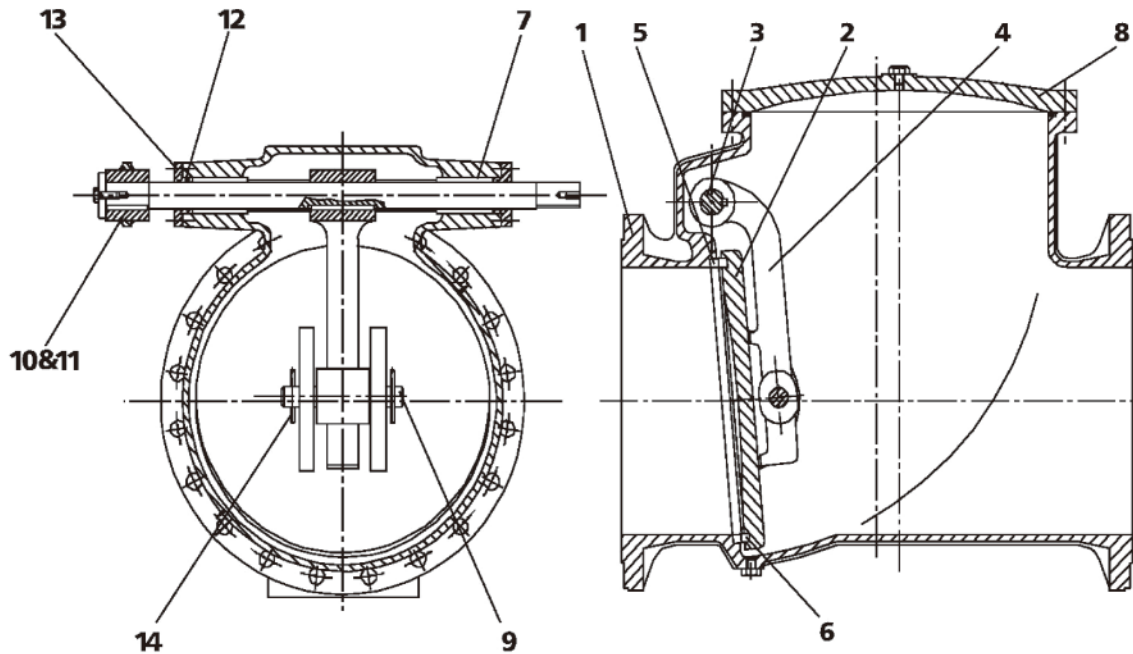
Non-Slam-Non Return Valve(Recoil type) PN 10-25



DN	L	H	App w (kg) PN 10 & PN 16	App W (kg) PN 25
150	610	470	70	170
200	762	560	258	258
250	965	600	345	345
300	1067	715	450	450
350	1143	880	625	625
400	1143	890	857	857
450	1219	1020	1050	1050
500	1321	1090	1450	1450
600	1450	1190	1838	1838
700	1580	1280	2516	2513
800	1700	1370	3125	3125
900	1840	1470	-	-
1000	1985	1570	-	-
1200	2145	1680	-	-
1400	2315	1795	-	-



### Swing Check Valve Lever & Weight PN 10-40

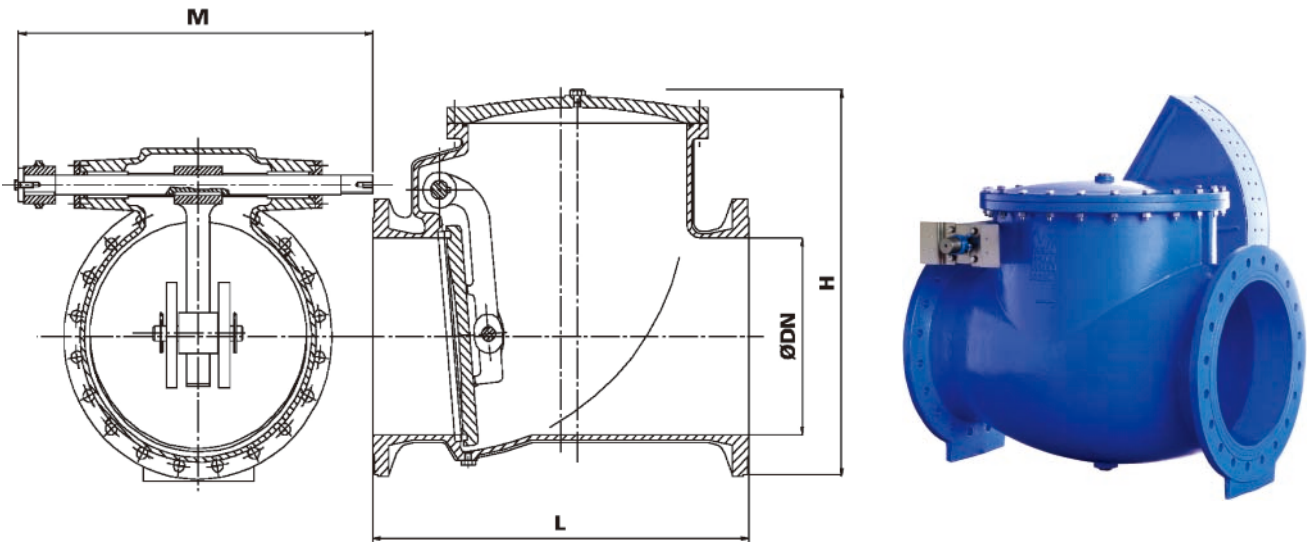


NO	Description	Material	STANDARD	BS Std.	DIN Standard
1	Body	Ductile Iron	GGG50	2789-73 Gr. 500/7	1693 GGG-50
2	Disc	Ductile Iron	GGG50	2789-73 Gr. 500/7	1693 GGG-50
3	Shaft	Stainless Steel	X20Cr13	970/4-70 420 S37	17440
4	Arm	Ductile Iron	GGG50	2789-73 Gr. 500/7	1693 GGG-50
5	Body Seat	Stainless Steel	316SS	970/4-70 316 S16	17440 1.4401
6	Disc Seat	Stainless Steel	316SS	970/4-70 316 S16	17440 1.4401
7	Bearing	Bronze	Rg5	1400 LG2	1705G-CuSn5ZnPb
8	Cover	Ductile Iron	GGG50	2789-73 Gr. 500/7	1693 GGG-50
9	Hinge Pin	Stainless Steel	X20Cr13	970/4-70 420 S37	17440
10	Lever	Ductile Iron	GGG50	2789-73 Gr. 500/7	1693 GGG-50
11	Weight	Cast Iron	GG25	1452-61 Gr. 17	1691 GG-25
12	O-Rings	Rubber	EPDM	-	-
13	Shaft Cover	Cast Iron	GG25	1452-61 Gr. 17	1691 GG-25
14	Pins	Stainless Steel	AISI304	970/4-710 Gr. 316 S16	17440 1.4301



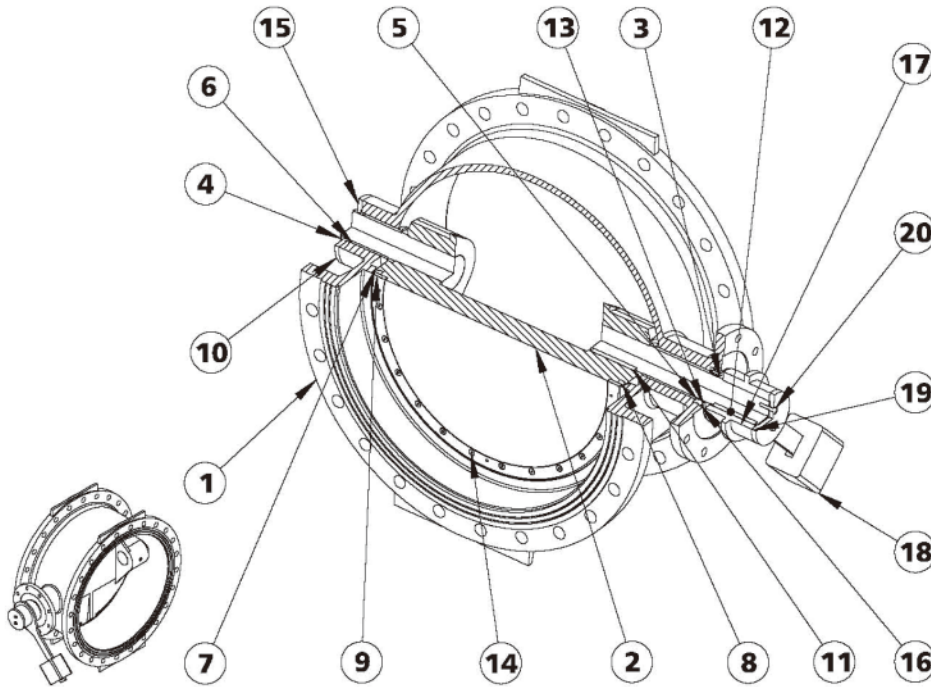


Swing Check Valve Lever & Weight – PN 10–40



\*:Split body design

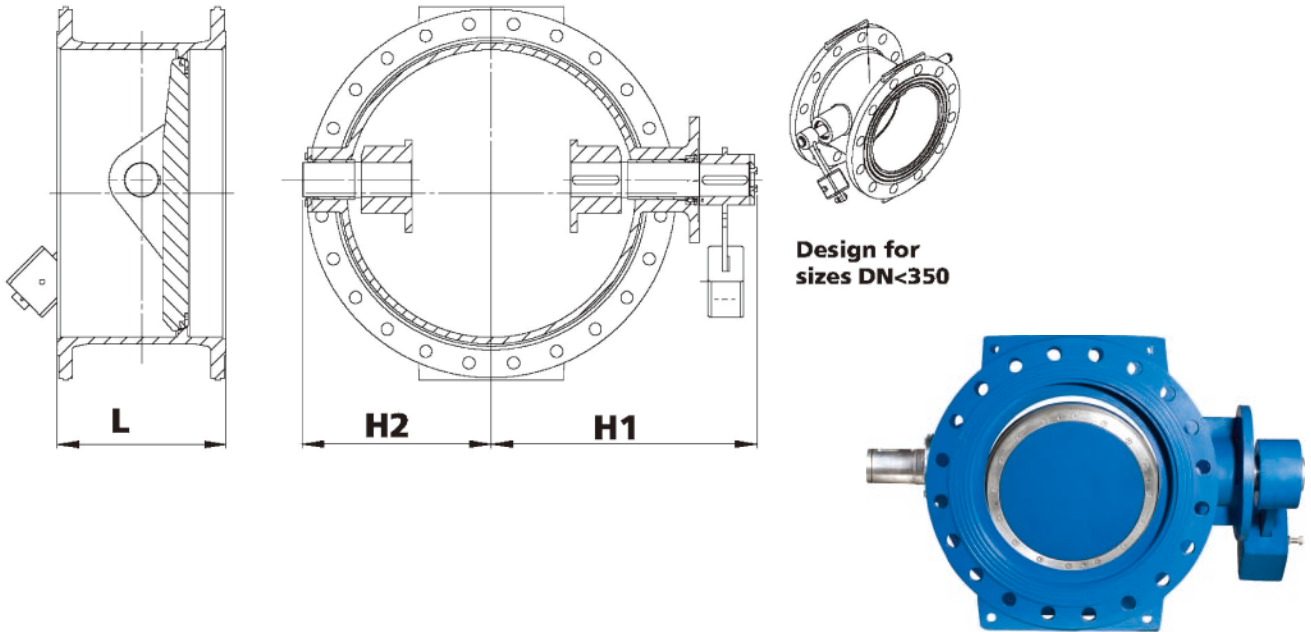
DN	BS 5153 L(PN 10–16)	BS 5153 L(PN 25–40)	BS EN 12334 L(PN 10–16)	DIN 3202 F6 L(PN 10–16)	H	M	PN 10–16 APP.W(kg)
50	203	230	203	200	280	200	15
65	216	290	216	260	290	220	18
80	241	310	241	260	300	230	20
100	292	350	292	300	315	250	28
125	330	400	330	350	373	330	70
150	356	480	356	400	440	350	100
200	495	600	495	500	515	450	130
250	622	730	622	600	600	550	160
300	698	850	698	700	675	650	220
350	788	980	787	800	765	760	440
400	915	1100	914	900	845	840	580
450	965	1200	965	1000	920	930	700
500	1067	1250	1067	1100	1000	990	930
600	1219	1346	1219	1300	1140	1130	1500
700	1420	–	1200	1500	1310	1300	2050
800	1560	–	1400	1700	1470	1400	2600
900	1730	–	1400	1900	1545	1510	3200
1000	1880	–	1750	2100	1700	1630	4200
1200	2185	–	–	–	2000	2200	6500
1400	2490	–	–	–	2300	2500	8900
1500	2640	–	–	–	2400	2700	–
1600	2794	–	–	–	2400	2900	–
1800	3098	–	–	–	2400	3200	–


**Tilting Disc Check Valve PN 10-40**


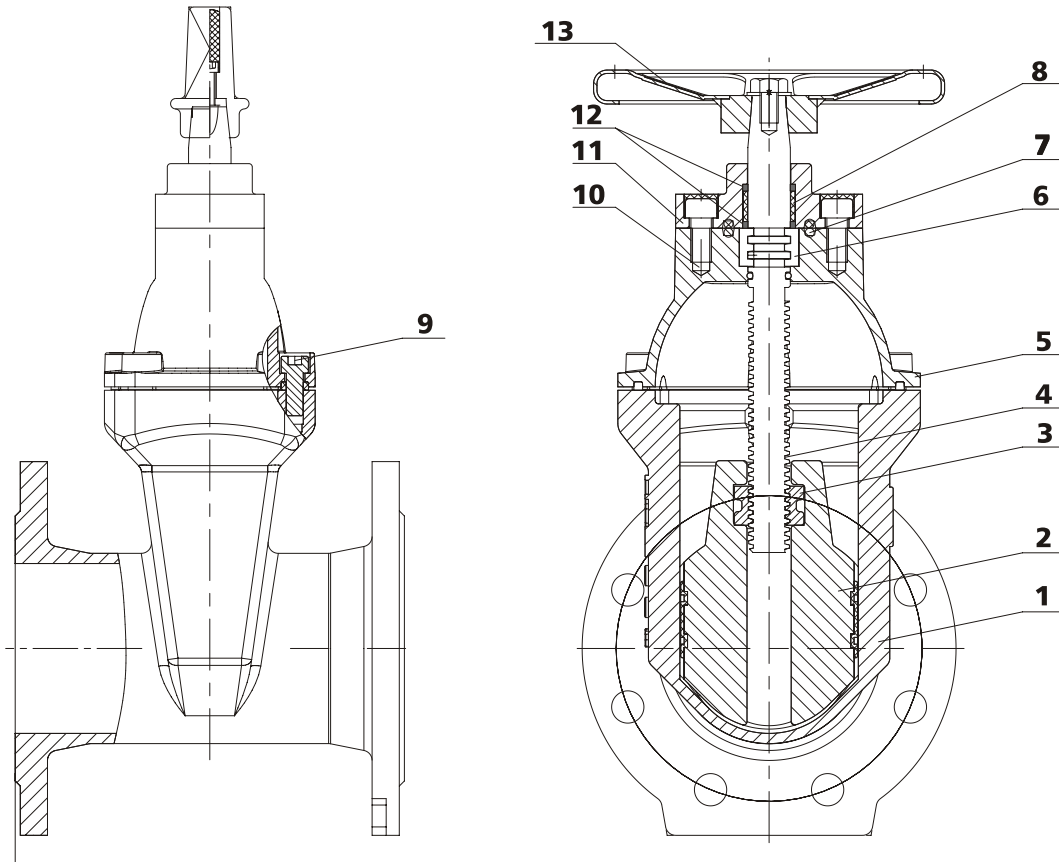
NO .	Description	Material	Standard	BS Standard	DIN Standard
1	Body	Ductile Iron	GGG50	2789-73 Gr.500/7	1693 GGG-50
2	Disc	Ductile Iron	GGG50	2789-73 Gr.500/7	1693 GGG-50
3	Shaft	Stainless Steel Stainless Steel Stainless Steel	X20Cr13 304SS 316SS	970/4-70 420 S37 970/4-70 304 S15 970/4-70 316 S16	17440 17440 1.4301 17440 1.4401
4	Hinge Shaft	Stainless Steel Stainless Steel Stainless Steel	X20Cr13 304SS 316SS	970/4-70 420 S37 970/4-70 304 S15 970/4-70 316 S16	17440 17440 1.4301 17440 1.4401
5	Long Bearing	Bronze	Rg5	1400 LG 2	17440 G-Cusn5znpb
6	Short Bearing	Bronze	Rg5	1400 LG 2	17440 G-Cusn5znpb
7	Body Seat	Weld Stainless Steel Bronze	316L Rg5	1400 LG 2	17440 1.4404 1705 G-Cusn5znpb
8	Sealing Ring	Rubber	EPDM/NBR	-	-
9	Retainer	Stainless Steel Stainless Steel	304 SS 316 SS	970/4-70 304 S15 970/4-70 316 S16	17440 1.4301 17440 1.4401
10	Shaft cover	Cast Iron	GG 25	1452-61 gr.17	1691 GG-25
11	Key on Disc	Stainless Steel	X20Cr13	970/4-70 420 S37	17440
12	Key on Damper	Stainless Steel	X20Cr13	970/4-70 420 S37	17440
13	Sealing Bush	Stainless Steel	304 ss	970/4-70 304 S15	17440 1.4301
14	Retainer Bolts	Stainless Steel	A2	-	267 Part 11
15	Cover Bolts	Stainless Steel	A2	-	267 part 11
16	Cordclip	Galvanized steel	-	-	-
17	lever	Ductile Iron	GGG 50	2789-73 Gr.500/7	1693 GGG-50
18	Weight	Cast Iron	Gg25	1452-61 Gr.17	1691 GG-25
19	Lever Retainer	Stainless Steel	304SS	970/4-70 304 S15	17440 1.4301
20	L.Retainer BOLTS	Stainless Steel	A2	-	267 Part11
21	O-Rings	Rubber	EPDM/NBR	-	-



Tilting Disc Check Valve PN 10-40



DN	PN 10-16 BS 5155(short) Length approx. mm w.(kg)		PN 10-16 DIN 3202 F-4 Length Approx. Mm W.(kg)		PN 25-40 BS 5155 (Long) & DIN 3202 F-4 Length Approx. W. (Kg) mm PN 25 PN 40			H1	H2
	mm	w.(kg)	Mm	W.(kg)	mm	PN 25	PN 40		
100	127	18	190	21	190	26	33	160	115
125	140	22	200	25	200	33	40	180	125
150	140	29	210	33	210	45	50	210	148
200	152	43	230	49	230	65	80	250	175
250	165	62	250	70	250	90	115	280	203
300	178	86	270	95	270	125	150	320	228
350	190	103	290	115	290	150	185	357	258
400	216	152	310	165	310	215	260	389	288
450	222	180	330	200	330	255	315	431	313
500	229	242	350	260	350	340	420	461	340
600	267	402	390	425	390	555	680	518	395
700	292	549	430	580	430	760	930	587	453
800	318	771	470	810	470	1060	1300	651	513
900	330	935	510	1000	510	1280	1570	712	563
1000	410	1250	550	1310	550	1700	2100	772	620
1100	410	1560	590	1640	590	2130	2620	855	678
1200	470	1710	630	1800	630	2350	2890	913	733
1400	530	2460	710	2580	710	3360	4130	1029	843
1500	575	3130	750	3280	750	4260	5250	1152	910
1600	600	3880	790	4060	790	5280	6500	1217	963
1800	670	5900	870	6150	870	7995	9840	1345	1063
2000	760	9150	950	9430	950	12260	15100	1450	1168
2200	-	-	1030	-	1030	-	-	1621	1280
2400	-	-	1110	-	1110	-	-	1723	1385
2600	-	-	1190	-	1190	-	-	1878	1485
2800	-	-	1270	-	1270	-	-	1988	1595
3000	-	-	1350	-	1350	-	-	2160	1708

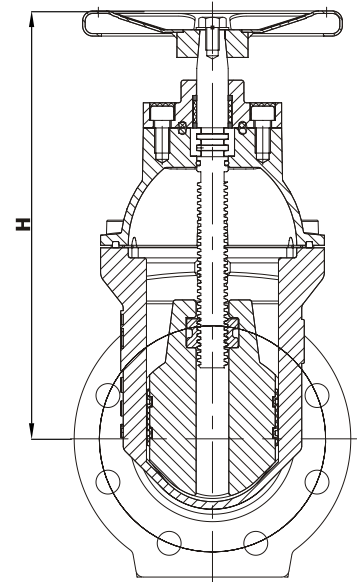
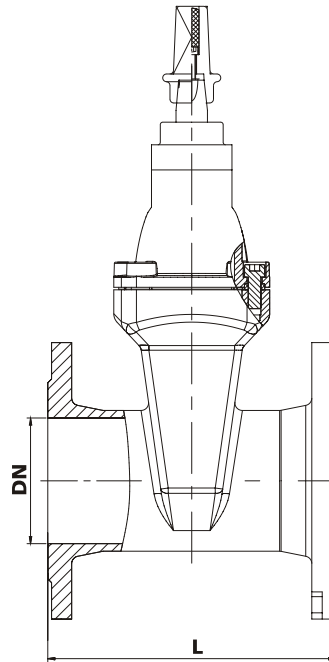
**Resilient Seated Gate BS/DIN/AWWA**
**软密封闸阀**


序号 No	描述 Description	材质 Material	标准 Standard	英标标准号 BS Standard	德标标准号 DIN Standard
1	阀体 Body	球铁 Ductile Iron	GGG50	2789-73 Gr. 500/7	1693 GGG-50
2	阀芯 Wedge		GGG50 - NBR or rub ber co ated	2789-73 Gr. 500/7	1693 GGG-50
3	轴螺母 Spindle Nut	铜 Bronze	Rg5		ZcuZn38Mn2Pb2
4	轴 Spindle	不锈钢 Stainless Steel	420 SS	970/4-70 420 S37	17440
			304 SS	970/4-70 304 S15	17440 1.4301
			316 SS	970/4-70 316 S16	17440 1.4401
5	阀盖 Bonnet	球铁 Ductile Iron	GGG50	2789-73 Gr. 500/7	1693 GGG-50
6	定位环 Ho lding R ing	铜 Bronze	Rg5		ZcuZn38Mn2Pb2
7	O 型圈 O-ring	橡胶 Rubber	NBR / EPDM		2.0401 CuZn39Pb3
8	支架管套 Supp orting Bush	尼龙 nylon			
9	螺栓 bolt	镀锌钢 Steel - Zinc Plated	Gr. 8. 8		
10	螺栓 bolt		Gr. 8. 8		
11	压兰 Gland	球铁 Ductile Iron	GGG50	2789-73 Gr. 500/7	1693 GGG-50
12	O 型圈 O-ring	橡胶 Rubber	NBR / EPDM		
13	手轮 Handwweel				

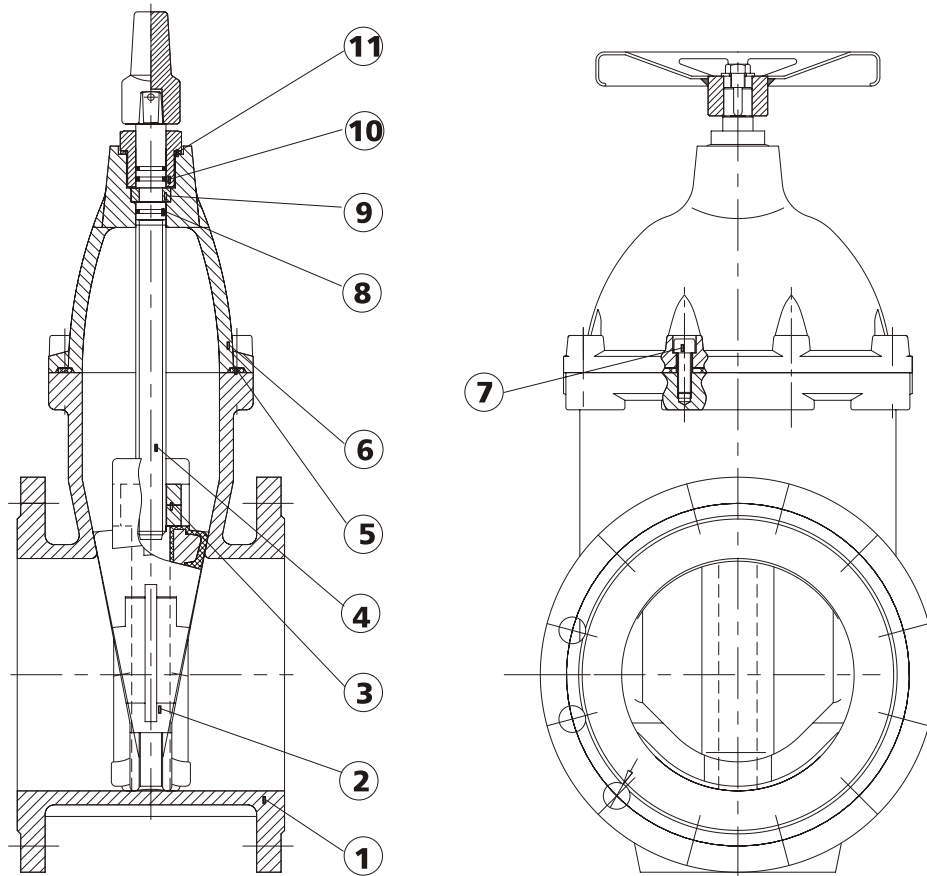


Resilient Seated Gate BS/DIN/AWWA

软密封闸阀



DN	BS 5163/AWWA	DIN 3202 F4	H
	L	L	
50	178	150	240
65	190	170	250
80	203	180	290
100	229	190	330
125	254	200	380
150	267	210	450
200	292	230	520
250	330	250	640
300	356	270	700
350	381	290	875
400	406	310	960
450	432	330	1220
500	457	350	1350
600	508	390	1240
700	610		1470
800	660		2040
900	711		2240
1000	811		2440

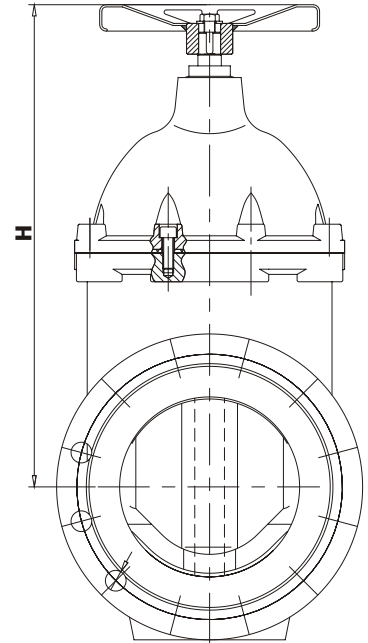
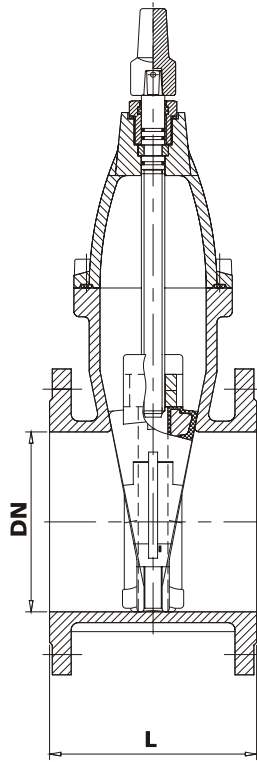
**Resilient Seated Gate Valve DIN 3202 F4 (PN 10/16) & DIN 3202 F5 (PN 10-25)**
**软密封闸阀**


序号 No	描述 Description	材质 Material	标准 Standard	英标标准号 BS Standard	德标标准号 DIN Standard
1	阀体 Body	球铁 Ductile Iron	GGG50	2789-73 Gr. 500/7	1693 GGG-50
2	阀芯 Disc	球铁 Ductile Iron	GG50 - NBR or EPDM rubber coated	2789-73 Gr. 500/7	1693 GGG-50
3	轴螺母 Spindle Nut	铜 Bronze	Rg5		ZcuZn38Mn2Pb2
4	轴 Spindle	不锈钢 Stainless Steel 橡胶 Rubber	420 SS	970/4-70 420 S37	17440
			304 SS	970/4-70 304 S15	17440 1.4301
			316 SS	970/4-70 316 S16	17440 1.4401
5	O型圈 O-Rings	不锈钢 Stainless Steel	NBR / EPDM		2.0401 CuZn39Pb3
6	阀盖 Bonnet	橡胶 Rubber	GGG50	2789-73 Gr. 500/7	1693 GGG-50
7	螺栓 Bolt	镀锌钢 Galvanised Steel	Gr. 8. 8		
8	O型圈 O-Rings	橡胶 Rubber	NBR / EPDM		
9	支架管套 Supporting Bush	尼龙 Nylon			
10	螺母 Nut	铜 Bronze	Rg5		ZcuZn38Mn2Pb2
11	Pad 衬垫	PTFE 聚四氟乙烯			

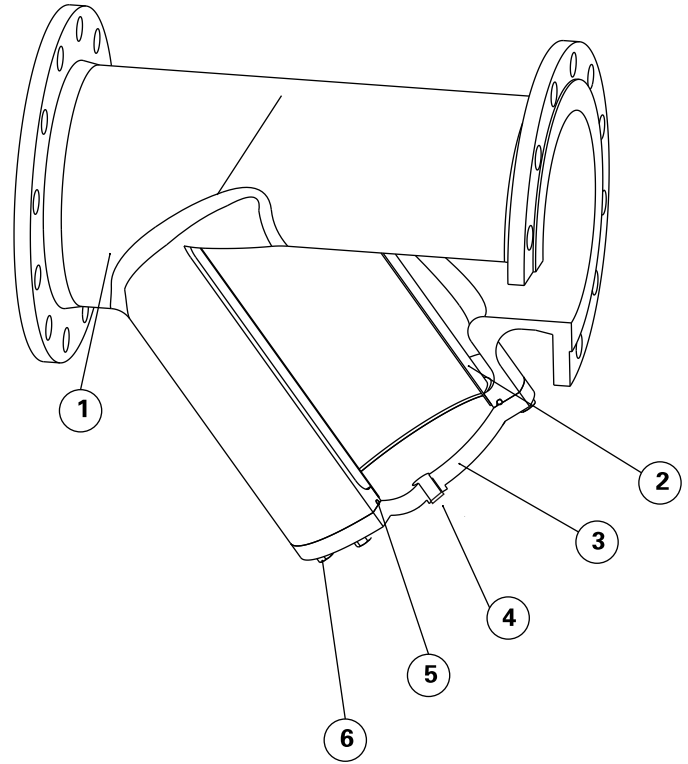


Resilient Seated Gate Valve DIN 3202 F4 (PN 10/16) & DIN 3202 F5 (PN 10-25)

软密封闸阀



DN	DIN 3202 F4 (PN 10-16)	DIN 3202 F5 (PN 10-25)	H
	L	L	
50	150	250	210
65	170	265	245
80	180	280	290
100	190	300	330
125	200	325	385
150	210	350	450
200	230	400	520
250	250	450	640
300	270	500	700
350	290	550	640
400	310	600	700
450	330	650	900
500	350	700	1080
600	390	800	1260



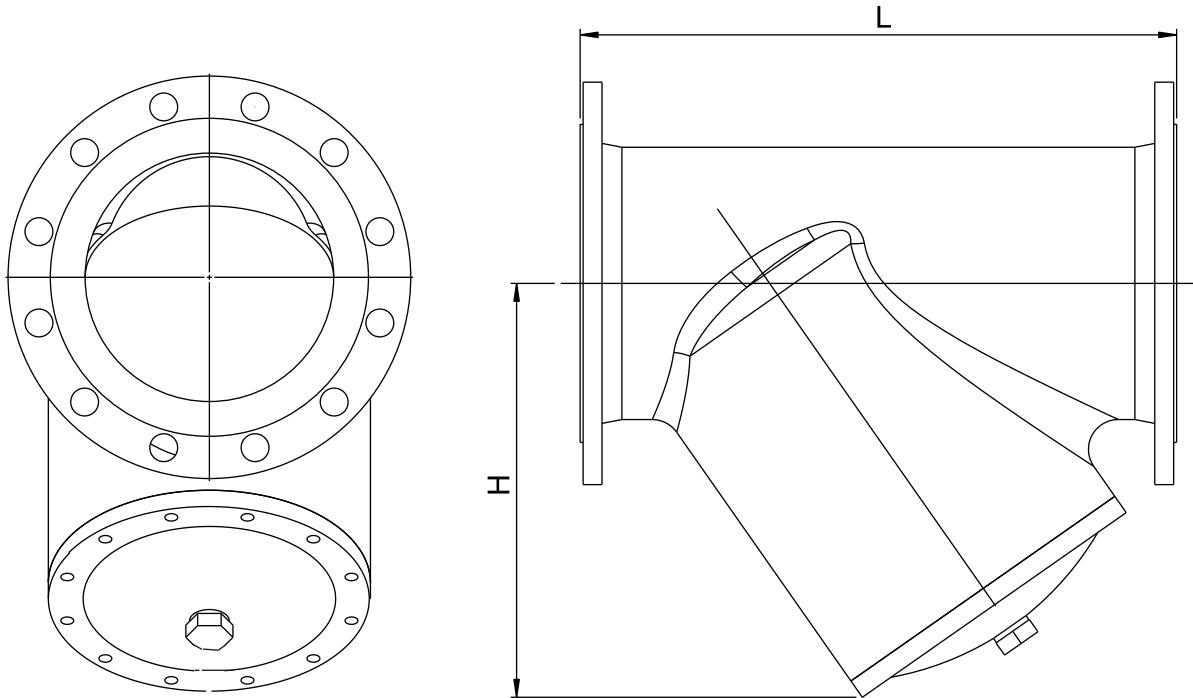
序号 No	描述 Description	材质 Material	标准 Standard	英标标准号 BS Standard	德标标准号 DIN Standard
1	阀体 Body	铸铁 Cast Iron	GG25	1452-61 Gr.17	1691 GG-25
		球铁 Ductile Iron	GGG50	2789-73 Gr.500/7	1693 GGG-50
2	过滤网 Basket	不锈钢 Stainless Steel	304SS	970/4-70 304 S15	17440 1.4301
		不锈钢 Stainless Steel	316SS	970/4-70 304 S16	17440 1.4401
3	阀盖 Cover	铸铁 Cast Iron	GG25	1452-61 Gr.17	1691 GG-25
		球铁 Ductile Iron	GGG50	2789-73 Gr.500/7	1693 GGG-50
4	排水栓 Drain plug	不锈钢 Stainless Steel	SS A2		
5	O型圈 O-Rings	橡胶 Rubber	EPDM		
6	螺栓盖 Bolt of Cover	不锈钢 Stainless Steel	A2		



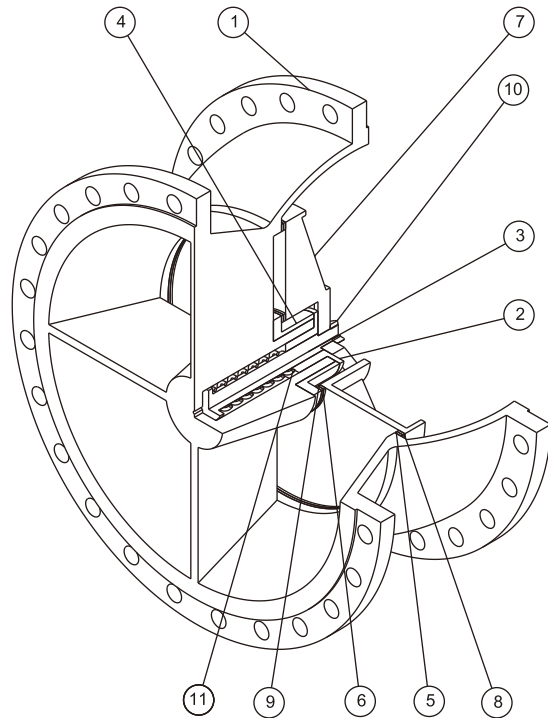


BS/DIN Y-Strainer PN 10-16

Y型过滤器



DN	DIN (PN 10-16)	BS (PN 10-16)	H	Kg
	L	L		
45	200	200	210	210
50	230	220	245	245
65	290	270	290	290
80	310	290	330	330
100	350	350	385	385
125	400	390	450	450
150	480	440	520	520
200	600	540	640	640
250	730	600	700	700
300	850	720	640	640

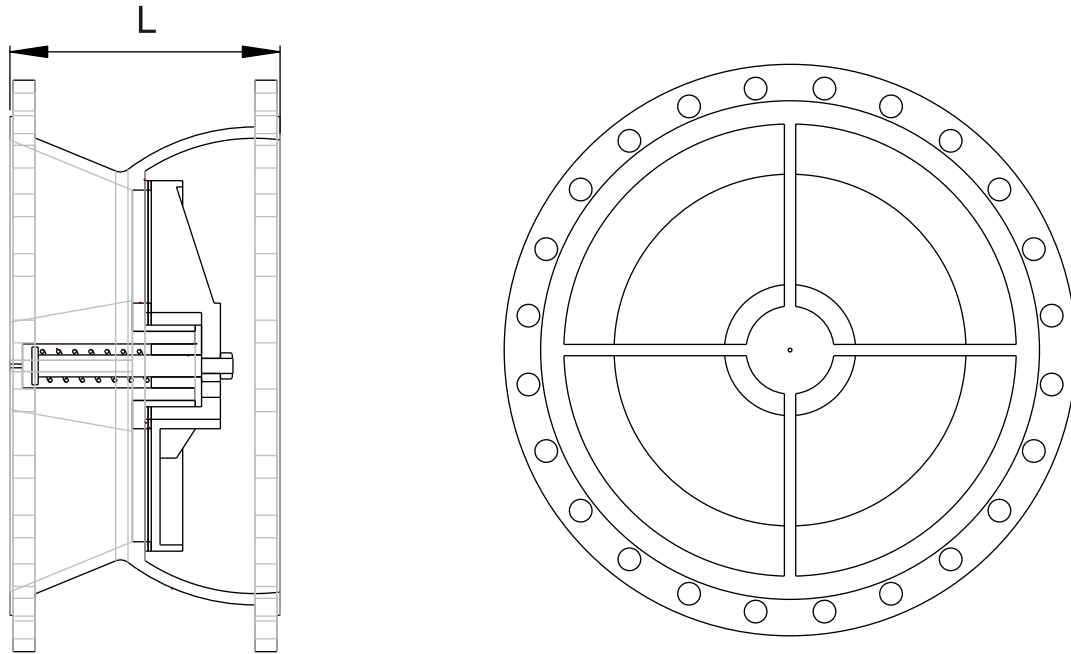
**Nozzle Check Valve PN 10-40**
**静音止回阀**


序号 No	描述 Description	材质 Material	标准 Standard	英标准号 BS Standard	德标准号 DIN Standard
1	阀体 Body	球铁 Ductile iron	GGG 50	2789-73 Gr. 500/7	1693 GGG-50
2	Bush bearing	青铜 Bronze	Rg5	1400 LG2	1705 G-CuSn5ZnPb
3	轴 Shaft	不锈钢 Stainless steel	X20Cr13	970/4-70 420 S37	17440
4	Seat 1	球铁 Ductile iron	GGG 50	2789-73 Gr. 500/7	1693 GGG-50
5	Body seat	不锈钢 Stainless steel	316 L		17440 1.4404
6	Body seat 2		316 L	970/4-70 304 S15	17440 1.4404
7	阀芯 Disc		304 SS	970/4-70 304 S15	17440 1.4301
8	Disc seat 1		304 SS	970/4-70 304 S15	17440 1.4301
9	Disc seat 2		304 SS		17440 1.4301
10	螺母 Nut			A2	
11	弹簧 Spring	Steel coated			

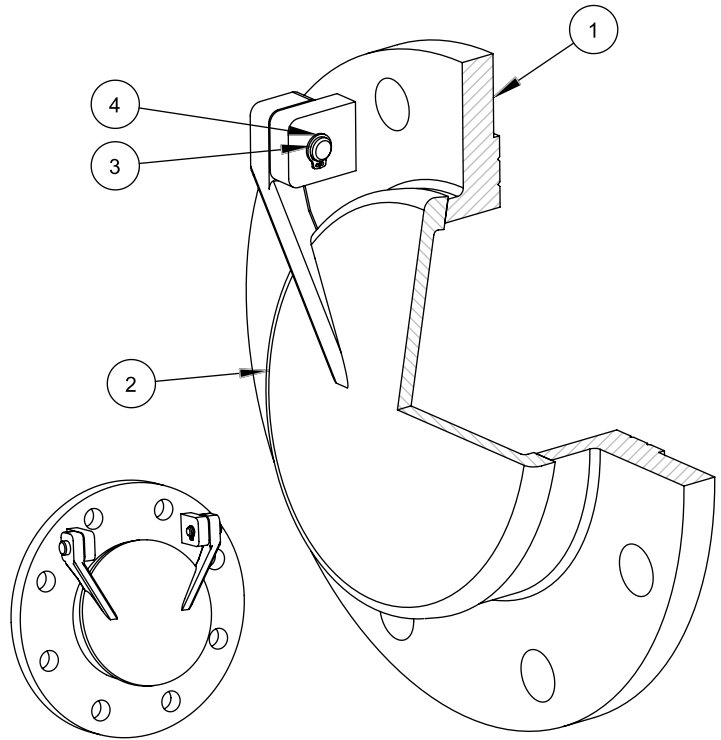


Nozzle Check Valve PN 10-40

静音止回阀



DN	L
50	100
65	120
80	145
100	160
125	180
150	200
200	225
250	250
300	300

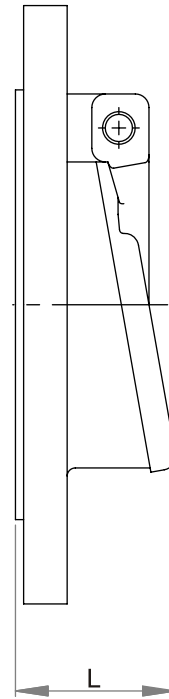
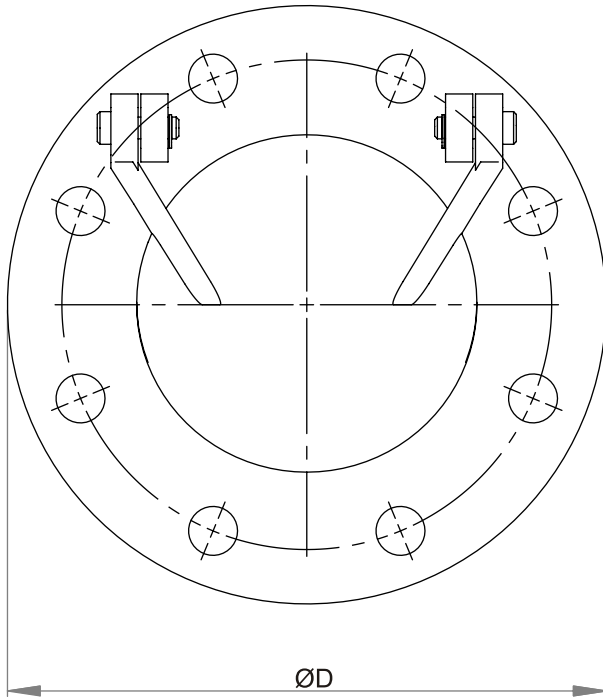


序号 No	描述 Description	材质 Material	标准 Standard	英标准号 BS Standard	德标准号 DIN Standard
1	阀体 Body	铸铁 Cast Iron	GGG 50	2789-73 Gr. 500/7	1693 GGG-50
		不锈钢 Stainless Steel	304 SS	970/4-70 304 S15	17440 1.4301
			316 SS	970/4-70 316 S16	17440 1.4401
2	拍门 Flap	球铁 Ductile Iron	GGG 50	2789-73 Gr. 500/7	1693 GGG-50
		不锈钢 Stainless Steel	304 SS	970/4-70 304 S15	17440 1.4301
			316 SS	970/4-70 316 S16	17440 1.4401
3	连接销 Pin	不锈钢 Stainless Steel	A2		
			A4		
4	卡环 Circlip				

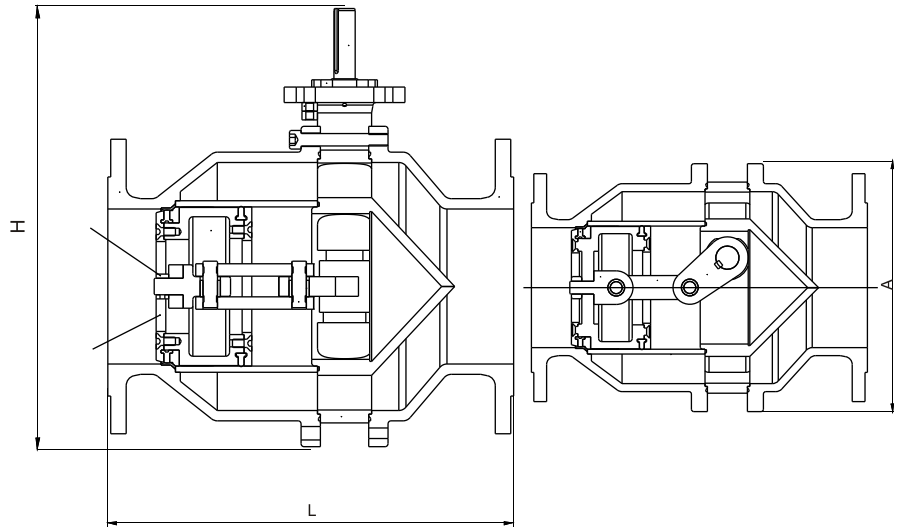


Flap Valve PN 10-16

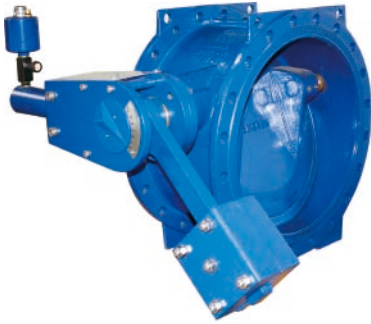
拍门



DN	ØD mm	Length mm	Approx. W. (Kg)
50	165	45	2
65	185	50	2,5
80	200	55	3,5
100	220	60	5
125	250	65	6,5
150	285	70	10
200	340	80	13
250	405	92	20
300	460	102	26
350	520	115	31
400	580	125	37
450	640	135	50
500	715	150	80
600	840	170	100
700	910	190	125
800	1025	210	210
900	1125	230	325
1000	1255	250	440

**Needle valve-Flow Control valve**
**流量控制阀**


DN	L	H	ØA
100	350	410	268
150	420	425	396
200	560	435	352
250	690	545	440
300	720	656	528
350	780	765	616
400	800	875	704
450	900	984	792
500	1000	1095	880
600	1200	1310	1056
700	1400	1530	1232
800	1600	1750	1408
900	1800	1968	1584
1000	2000	2185	1760
1200	2400	2624	2112
1400	2800	3060	2465
1600	3200	3498	2816
1800	3600	3935	3168



slanted seat check valve



dual disc check valve



multi door check valve



wafer check valve



bottom check valve



rubber check valve



rising stem soft seat gate valve



soft seat gate valve with buried box



soft seat gate valve with bypass valve



rising stem metal seat gate valve



one type of air valve



Wafer butterfly valve



one type of air valve



one type of air valve



one type of air valve



one type of air valve



one type of air valve



one type of air valve



SS penstock



cast iron penstock



headstock



reduce pressure valve



float ball valve



CS check valve



CS gate valve



CS ball valve



CS globe valve





**BEST QUALITY**

**BEST PRICE**

**BEST SERVICE**





铜都流体®  
TD FLOW

安徽铜都流体科技股份有限公司  
ANHUI TONGDU FLOW TECHNOLOGY CO.,LTD.

Add: No.188,The North of Tongdu Avenue,Tongling,AnHui,China  
P.C.: 244061  
Tel: 0086-562-6865788  
Fax: 0086-562-6861909  
E-mail: wuzj1020@126.com  
Website: www.ah-td.com  
Skype:tdflow



ISO9001认证



ISO14001认证



CE 认证



安徽省名牌产品



特种设备制造许可