



浙江森凯汽车科技有限公司

ZHEJIANG SINCAR TECHNOLOGY CO.,LTD



中国排气阀门专家 一直被模仿, 从未被超越
Expert of Valvetronic Exhaust System Parts

COMPANY

公司简介

浙江森凯汽车科技有限公司是一家集研发、销售为一体的高新技术企业。企业前身成立于2009年,经过多年的市场经营,目前已有过数十万辆车子的产品使用经验,旗下产品技术成熟。

依靠科技求发展,公司有着专业的研发团队不断为客户提供专业的服务。高科技产品是我们不断的追求,在充分吸引国外优秀技术的同时,配合我们自身的技术,研发出国内先进的排气阀门系统及燃油添加剂等一系列产品。

2015年公司新增花园式厂区15亩,办公面积7000余平方米,公司发展过程中,不断与国内多个科研机构、高效进行交流合作,不断研发出更新颖的产品以满足日新月异的市场需求。我们深信:未来属于创新,属于真诚。森凯愿与合作伙伴一起,开放合作,努力构建国内最专业的汽车后市场领军品牌,促进国内汽车后市场的规范而不懈努力。

核心价值观:

以用户体验为主导,满足客户最实际的需求是我们的原动力,我们坚持以客户为中心,快速响应市场需求,坚持成就梦想与未来。

Your reliable partner for valvetronic exhaust system for the global automotive aftermarket.

Since 2009, Sincar has designed and manufactured the highest quality remote control electric and vacuum cutout valves. All of our products are engineered and manufactured in our 100,000 square foot state-of-the-art manufacturing facility located in Quzhou, Zhejiang.

Combining the expertise and marketing experience for many years, we have successfully developed many patented technology such as electric cutout valve, LED lighting exhaust tip to elevate your driving experience.

Sincar keeps a clear focus on their vision: To be a customer's first choice for unique and innovative solutions for their exhaust system. Our success is built on lasting partnerships with our customers!

VALVETRONIC EXHAUST SYSTEM ENGINEERING
AND MANUFACTURING FOR 10YEARS





专利产品 Patent Products

电动排气阀门

ELECTRIC EXHAUST VALVE

一键开启 跑车声浪

Press on botton Start sportcar mode

原创设计, 获多项国家专利
全球100万车主的放心选择
终身质保, 源于对品质自信

Original Design, Patent Protection
One million car owners' first choice
Quality is the last thing we give up



微调电动遥控阀门
Variable electric valve



微调蜗杆电动遥控阀门
Variable electric worm valve



不锈钢蜗杆电动遥控阀门
stainless steel electric worm valve



OBD转速电动遥控阀门
OBD speed control electric valve

高品质耐高温电机防水、防火、防腐蚀
内置过载保护模块,避免大电流伤害电机
多种控制模式任选,满足客户个性化需求

High quality electric motor,heat/water/fire/corrosion resistant
Built-in overload protection modular protects motor from surge
Three control modes can satisfy the customers' diversified needs



家用车型
原车静音
Family car
(quiet sound)

遥控阀门
Sincar Valve

跑车声浪+原车静音
一键开关随意切换
Sport car(on)
Quiet sound (off)

气动排气阀门 VACUUM EXHAUST VALVE

材料新升级 品质有保证
Materials upgrade
Quality guarantee

自带真空, 安装方便
模式多样, 极致体验
智能控制, 操作便捷

More convenient to install with air pump
Multiple modes elevate driving experience
Smart control makes operation smooth



普通真空阀门
General vacuum valve



自带真空阀门
Vacuum valve with air pump



OBD转速真空阀门
OBD Speed Vacuum Valve

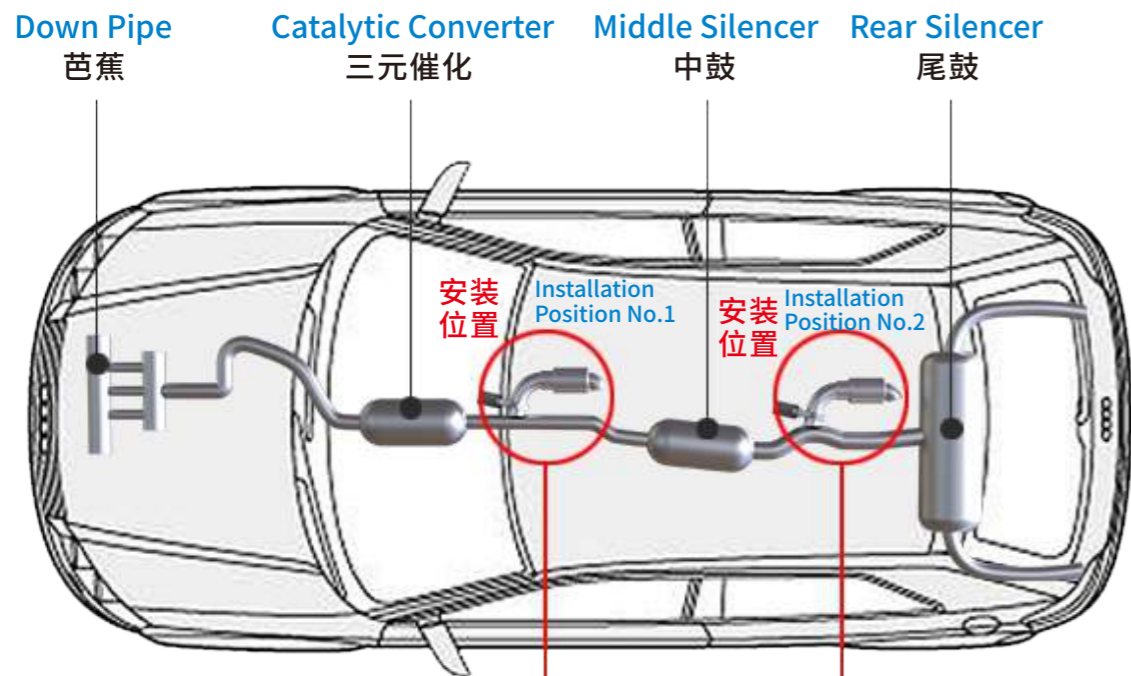


遥控开关
Remote switch

OBD控制器
OBD controller

全金属材质
All Metal Material

APP操控
APP Control



中鼓前声浪比较暴力
position no.1: vroom,
sounds like fast cars, very loud

中鼓后声浪比较低沉
position no.2: sounds
lower than no.1





T型单进双出
T-type 1 inlet to 2 outlets



H型单进双出
H-type 1 inlet to 2 outlets



H型单进单出
H-type 1 inlet to 1 outlet

汽车阀门鼓 Valvetronic Muffler System



HIGH SEALING



SMOOTH WELDING



STURDY AND DURABLE



RELIABLE AND EFFICIENT



H型单进单出气动阀门鼓
H-type 1 inlet to 1 outlet
vacuum valve type



H型单进单出电动阀门鼓
H-type 1 inlet to 1 outlet
electric valve type



H型单进双出气动阀门鼓
H-type 1 inlet to 2 outlets
vacuum valve type



H型单进双出电动阀门鼓
H-type 1 inlet to 2 outlets
electric valve type



T型单进双出气动阀门鼓
T-type 1 inlet to 2 outlets
vacuum valve type

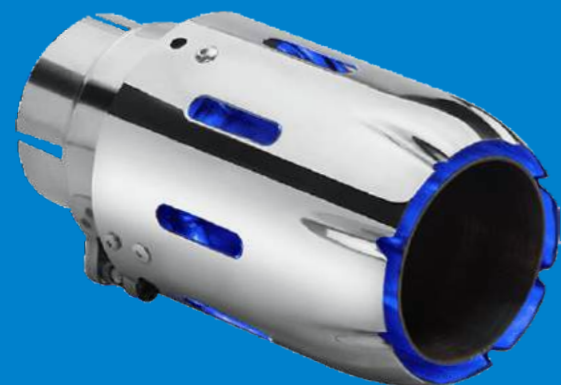


T型单进双出电动阀门鼓
T-type 1 inlet to 2 outlets
electric valve type

原创设计 科技随行

Original design, High-tech feeling

专利产品 Patent Products



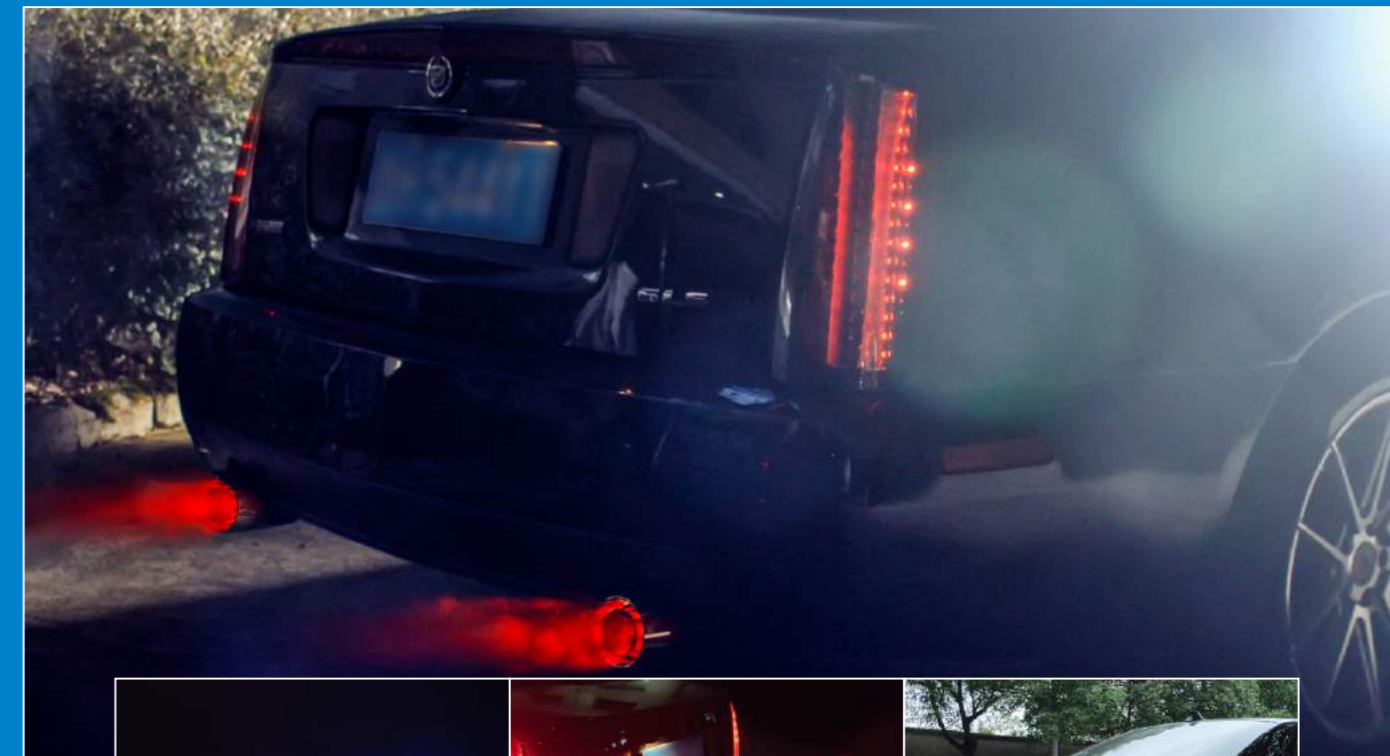
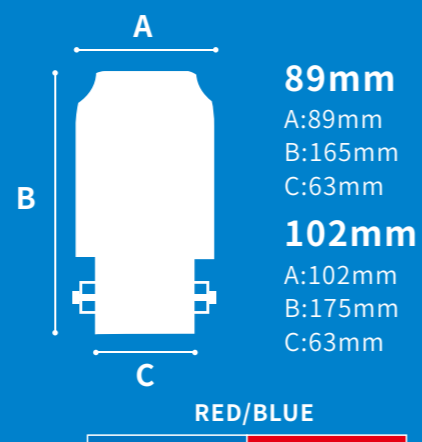
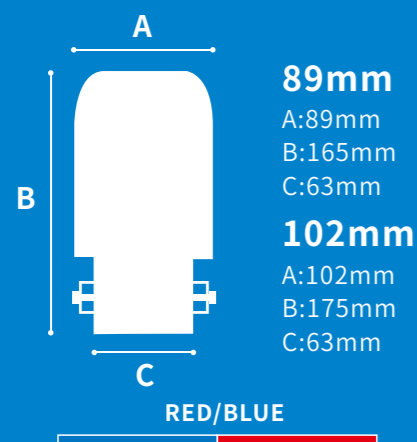
不锈钢发光尾喉

Stainless steel LED Lighting Tips



碳纤维发光尾喉

Carbon Fiber LED Lighting Tips

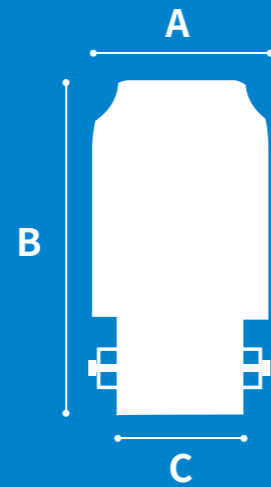


发光尾喉 LED EXHAUST TIPS

流线设计 酷炫造型
耐高温LED 颜色任选

Streamline shape design brights your cars
RGB LED available ,heat resistant structure

材料升级 品质更高
Material Upgrading, Quality Guarantee



76mm

A:76mm
B:160mm
C:52-55mm

89mm

A:89mm
B:160mm
C:52-55mm

102mm

A:102mm
B:175mm
C:63mm



76mm

A:76mm
B:160mm
C:52-55mm

89mm

A:89mm
B:160mm
C:52-55mm

102mm

A:102mm
B:175mm
C:63mm

碳纤维尾喉 CARBON FIBER EXHAUST TIP

重量轻 多口径
卡扣设计 简易安装

Light weight, Wide sizes
Bolt Fixing, Easy install



89mm

A:190mm
B:240mm
C:60-63mm



89mm

A:190mm
B:240mm
C:60-63mm



轮胎字母贴

Tyre Alphabet Stickers

自主品牌 品质保证
Self-owned Brand ,Quality Guarantee

多层复合材料
激光切割镀晶处理
Multi-layer composite material
Laser cutting, Surface polishing



潮牌车载纸巾筒

FANCY TISSUE BOX

自主品牌 品质保证
Self-owned Brand
Quality Guarantee



铝合金+硅胶套
激光打印
不褪色不生锈
Aluminum alloy+Silicone Case
Laser printing
No fading,no rusting

