



**AUTO REPAIR**  
FOR CARS AND TRUCKS



**Garage**  
EQUIPMENT



**HAIYAN JIAYE MACHINERY TOOLS CO.LTD**

Add: Haiyan Economic Development Zone Zhejiang Province China

Tel: +0086-573-86855888 86851999 86858182 86858186

Fax: +0086-573-86855287

E-mail: jack@cn-jiaye.com

Web: www.cn-jiaye.com

**HAIYAN JIAYE MACHINERY TOOLS CO.,LTD**

[www.cn-jiaye.com](http://www.cn-jiaye.com)





## COMPANY PROFILE

HAIYAN JIAYE MACHINERY TOOLS CO.,LTD . Located in HAIYAN , ZHEJIANG PROVINCE . Which is nearby HANGZHOU BAY Bridge . We are in the middle of Shanghai and Hangzhou and Ningbo .So the transportation here is very convenience .

We are professionally in producing and selling various lifting equipment ,hydraulic jack , truck jacks, emergency tools ,shop press , engine crane , pipe Benders and other auto repair tools . By years of development , we now become research , exploration,producing , and trading to abroad together . Our company belief is

“ quality first , technical innovation ,good service , quick delivery ” our goal is to create a top-class brand, top-class products and top class services among our competitors so as to establish an excellent company corporation image. For years development we have good reputation between our customers . we sincerely welcome customer all over the world to come to our company discussing and cooperate business with us . Let 's be cooperating partners together !

We believe our tomorrow will be better !

	HYDRAULIC BOTTLE JACK	03-12		TRANSMISSION JACK	36-38
	HYDRAULIC TROLLEY JACK	13-14		LOW TRANSMISSION JACK	39
	HYDRAULIC GARAGE JACK	15-16		AIR HYDRAULIC BOTTLE JACK	40
	JACK STAND	17-18		ATV&MOTORCYCLE LIFT JACK	41
	HEAVY DUTY LONG FLOOR JACK	19		MOTORCYCLE SUPPORT STAND	42
	ELECTRIC CAR JACK	20		MOTORCYCLE LIFT TABLE	43
	SCISSOR JACK	21-22		MOTORCYCLE LIFT TABLE	44
	SPIRAL JACK	21-22		VEHICLE RAMP	45
	TRAILER JACK	23-24		LIFT TABLE CART	45
	PORTA POWER JACK	25-26		HYDRAULIC LOG SPLITTER	46
	PIPE BENDER	26		SPRING COMPRESSOR	46
	ENGINE STAND	27-28		PORTABLE TIRE CHANGR	46
	ENGINE SUPPORT	28		CAR CREEPER	47
	SHOP CRANE	29-30		CAR DOLLY	47
	OFF-ROAD JACK	31		WARNING TRIANGLE	48
	HYDRAULIC SHOP PRESS	32		TIRE WRENCH	49
	SHOP PRESS WITH GAUGE	33-35		LABOR SAVING WRENCH	50

# HYDRAULIC BOTTLE JACK

# HYDRAULIC BOTTLE JACK



Model	Capacity (ton)	Min.Height (mm)	Lift.Height (mm)	Adjustable.Height (mm)	N.W (k.g)	QTY/CTN (pcs)	Package Size (cm)
BJ0201	2	148	80	50	2.1	10	57X21X19
BJ0301	3	175	110	60	2.6	5	59.5X13X21
BJ0401	4	180	110	60	2.8	5	59.5X13X21
BJ0501	5	185	110	60	3.6	5	64.5X14X23
BJ0601	6	195	125	60	3.7	5	64.5X14X23
BJ0801	8	200	125	60	4.5	5	67X14.5X23
BJ1001	10	200	125	60	5.2	4	56X15X23
BJ1201	12	210	135	60	6.2	4	60X16X24
BJ1501	15	210	140	60	6.5	2	33X17X26
BJ1601	16	225	145	60	7.2	2	33X17X26
BJ2001(S)	20	185	110	60	8.5	2	37X18X24
BJ2001	20	235	150	60	9.5	2	37X18X27
BJ2501	25	255	160	/	9.4	2	38X20X28
BJ3001	30	255	160	/	11.5	2	38X20X28
BJ3201(S)	32	225	125	/	11.0	2	38X20X26
BJ3201	32	255	160	/	12.5	2	38X20X28
BJ4001	40	255	160	/	14.0	1	19X20X28
BJ5001	50	255	160	/	18.5	1	20.5X20X28
BJ5001(B)	50	300	180	/	30	1	24X22.5X33
BJ10001	100	360	200	/	68	1	32X37X40
BJ20001	200	375	200	/	140	1	40X45X53

# HYDRAULIC BOTTLE JACK

# HYDRAULIC BOTTLE JACK



Model	Capacity (ton)	Min.Height (mm)	Lift.Height (mm)	Adjustable.Height (mm)	N.W (k.g)	QTY/CTN (pcs)	PackageSize (cm)
EBJ0202	2	148	80	50	2.1	10	57X21X19
EBJ0302	3	175	110	60	2.7	5	59. 5X13X21
EBJ0402	4	180	110	60	2.9	5	59. 5X13X21
EBJ0502	5	185	110	60	3.7	5	64. 5X14X23
EBJ0602	6	195	125	60	3.8	5	64. 5X14X23
EBJ0802	8	200	125	60	4.6	5	67X14. 5X23
EBJ1002	10	200	125	60	5.3	4	56X15X23
EBJ1202	12	210	135	60	6.4	4	60X16X24
EBJ1502	15	225	145	60	7.3	2	33X17X26
EBJ1602	16	225	145	60	7.3	2	33X17X26
EBJ2002	20	235	150	60	9.7	2	37X18X27
EBJ3002	30	255	160	/	12.8	2	38X20X28
EBJ3202	32	255	160	/	12.8	2	38X20X28
EBJ5002	50	285	180	/	19.5	1	20. 5X20X31

# HYDRAULIC BOTTLE JACK

# HYDRAULIC BOTTLE JACK



Model	Capacity (ton)	Min.Height (mm)	Lift.Height (mm)	Adjustable.Height (mm)	N.W (k.g)	QTY/CTN (pcs)	Package Size (cm)
ABJ0203	2	181	115	50	2.4	10	57X21X21
ABJ0303	3	195	125	60	3.2	5	59.5X12.5X23
ABJ0403	4	195	125	60	3.2	5	59.5X12.5X23
ABJ0503	5	215	125	60	4.1	5	62X13.5X25
ABJ0603	6	215	125	60	4.1	5	62X13.5X25
ABJ0803	8	230	145	60	5.2	4	56X14X26
ABJ1003	10	230	145	60	5.9	4	56X15X26
ABJ1203	12	235	150	60	6.7	4	60X16X26.5
ABJ1503	15	230	145	60	7.5	2	31X15.5X27
ABJ1603	16	230	145	60	7.5	2	31X15.5X27
ABJ2003	20	245	150	60	10	2	37X18X27.5
ABJ3203	32	285	180	/	13.5	2	38X20X31
ABJ5003	50	300	180	/	30	1	24X22.5X33

# HYDRAULIC BOTTLE JACK

# HYDRAULIC BOTTLE JACK



Model	Capacity (ton)	Min.Height (mm)	Lift.Height (mm)	Adjustable.Height (mm)	N.W (k.g)	QTY/CTN (pcs)	Package Size (cm)
EABJ0204	2	181	115	50	2.5	10	57X21X21
EABJ0304	3	195	125	60	3.3	5	59. 5X12. 5X23
EABJ0404	4	195	125	60	3.3	5	59. 5X12. 5X23
EABJ0504	5	215	125	60	4.2	5	62X13. 5X25
EABJ0604	6	215	125	60	4.2	5	62X13. 5X25
EABJ0804	8	230	145	60	5.3	4	56X14X26
EABJ1004	10	230	145	60	6	4	56X15X26
EABJ1204	12	235	150	60	6.8	4	60X16X26. 5
EABJ1504	15	230	145	60	7.6	2	31X15. 5X27
EABJ1604	16	230	145	60	7.6	2	31X15. 5X27
EABJ2004	20	245	150	60	10.1	2	37X18X27. 5
EABJ3204	32	285	180	/	13.7	2	38X20X31
EABJ5004	50	300	180	/	30.2	1	24X22. 5X33

# DOUBLE RAM BOTTLE JACK

# DOUBLE RAM BOTTLE JACK



**DBJ0202**

**DBJ0405**

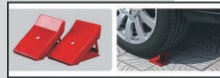
**DBJ0605**

Model	Capacity (ton)	Min.Height (mm)	Lift.Height (mm)	Lift.Height (mm)	Adjustable.Height (mm)	N.W (k.g)	QTY/CTN (pcs)	Package Size (cm)
EDBJ0206	2	165	98	92	55	2.9	5	60X14.5X20
EDBJ0406	4	150	80	80	35	4.2	5	65.5X14X22
EDBJ0606	6	154	80	80	40	5.5	4	60X16X20
EDBJ0806	8	156	80	80	40	6	4	60X16X20
EDBJ1006	10	225	140	145	50	8.5	2	32.5X17.5X27
EDBJ1206	12	230	140	145	50	10.5	2	34X19.5X27
EDBJ1606	16	232	140	145	50	12	2	35.5X19.5X27
EDBJ2006	20	235	98	92	62	15.5	1	20X19X25
EDBJ3206	32	250	140	140	/	22	1	23X21X26

# HYDRAULIC TROLLEY JACK



FL0202  
FL0203-1



FL0204  
FL0205



FL0203



Low Profile  
80-85mm  
Min. Height  
FL0209-1  
FL0209



MFL0210



Heavy Duty  
Blow Case



Full Color Box

# HYDRAULIC TROLLEY JACK

Model	Capacity (ton)	Min. Height (mm)	Max. Height (mm)	N.W (k.g)	QTY/CTN (pcs)	Package Size (cm)
FL0202	2	140	300	5.5	1	B: 39. 2X20. 5X14 C: 42. 5X21X15
FL0203-1	2	125	300	6.0	1	B: 43. 2X20. 3X13. 5 C: 43. 5X21X14. 5
FL0203	2	125	300	6.5	1	B: 43. 2X20. 3X13. 5 C: 43. 5X21X14. 5
FL0204	2	127	330	7.5	1	B: 46X20. 5X13. 5 C: 46. 5X21. 5X15
FL0205	2	127	330	8.5	1	B: 46X20. 5X13. 5 C: 46. 5X23. 5X15

FL0206	2	135	345	9	1	B: 48X23X16 C: 48X23X17
FL0207	2	133	387	10.5	1	B: 55. 5X20X16. 5 C: 56X21. 5X17
FL0208	2.5	140	380	11	1	B: 55. 5X20X16. 5 C: 56X21. 5X17

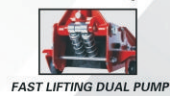
Model	Capacity (ton)	Min. Height (mm)	Max. Height (mm)	N.W (k.g)	QTY/CTN (pcs)	Package Size (cm)
FL0209-1	2.5	85	385	11.5	1	B: 59. 5X23X15. 5 C: 59. 5X25. 5X15. 5
FL0209	2.5	85	385	12.5	1	B: 59X23. 5X15. 5

Model	Capacity (ton)	Min. Height (mm)	Max. Height (mm)	N.W (k.g)	QTY/CTN (pcs)	Package Size (cm)
MFL0210	2	140	390	10	1	B: 39X21X18 C: 39X22. 5X18



# HYDRAULIC GARAGE JACK

# HYDRAULIC GARAGE JACK



Model	Capacity (ton)	Min.Height (mm)	Max. Height (mm)	N.W (k.g)	QTY/CTN (pcs)	Package Size (cm)
FL0302	3	140	430	19	1	64.5X27X16.5
FL0303	3	140	460	22	1	62X38X19
FL0305	3	135	500	28	1	68X38X20
FL0306	3	135	495	30	1	68X38X20
FL0307	3	135	500	32	1	68X38X20
FL0308	3	135	500	34	1	68X38X20
FL0402	4	140	520	36	1	77X39X21
FL0502	5	145	540	50	1	80X40X25

## DUAL PUMP

Model	Capacity (ton)	Min.Height (mm)	Max. Height (mm)	N.W (k.g)	QTY/CTN (pcs)	Package Size (cm)
DFL0302	3	135	500	28	1	74X38X19.5
DFL0303	3	135	495	30	1	74X38X19.5
DFL0304	3	135	495	32	1	74X38X19.5
DFL0305	3	140	500	35	1	74X38X19.5

## LOW PROFILE DUAL PUMP

Model	Capacity (ton)	Min.Height (mm)	Max. Height (mm)	N.W (k.g)	QTY/CTN (pcs)	Package Size (cm)
QFL0302	3	75	505	33	1	77X39X17
QFL0303	3	75	505	44	1	78X36.5X18.5

Model	Capacity (ton)	Min.Height (mm)	Max. Height (mm)	N.W (k.g)	QTY/CTN (pcs)	Package Size (cm)
CBA0202	2	0-55	590-930	9.5	1	77X18X14

## ALUMINUM

Model	Capacity (ton)	Min.Height (mm)	Max. Height (mm)	N.W (k.g)	QTY/CTN (pcs)	Package Size (cm)
KSQ1.5	1.5	89	370	11.5	1	57.5X27.5X17
KSQ2	2	85	460	18.8	1	76X36.5X20
KSQ3	3	95	487	25.3	1	66X34.8X16.5
CZR2	2	260	385	4.0	1pair	28.5X22X95

HAIYAN JIAYE MACHINERY TOOLS CO., LTD



**JS0210  
JS0310  
JS0610  
JS1210**



**EJS0210  
EJS0310  
EJS0610**



**FJS0210  
FJS0310**



**JPJS0310**

**JACK STAND&FOLDABLE JACK STAND**

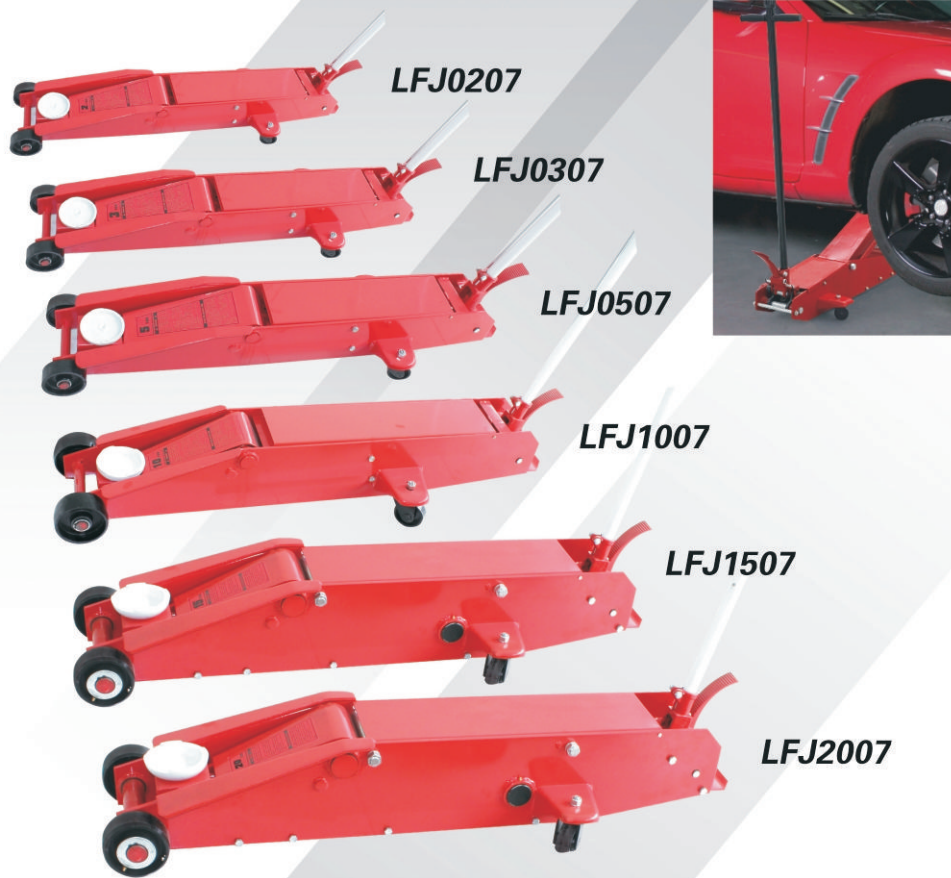
Model	Capacity (ton)	Min.Height (mm)	Max.Height (mm)	N.W/G.W (kgs)	QTY (pair)	Package Size (cm)
JS0210	2	275	425	4.6/5.0	1	19X18X34
JS0310	3	305	425	4.7/5.5	1	19.5X18X34.5
JS0610	6	410	600	8.6/9.5	1	28X23.5X42
JS1210	12	487	748	23.5/25	1	33X30X58

Model	Capacity (ton)	Min.Height (mm)	Max.Height (mm)	N.W/G.W (kgs)	QTY (pair)	Package Size (cm)
EJS0210	2	270	425	5.0/5.5	1	19X18.5X34
EJS0310	3	280	430	6.5/7.0	1	20.5X22.5X33.5
EJS0610	6	400	600	12.0/12.5	1	30X25X44

Model	Capacity (ton)	Min.Height (mm)	Max.Height (mm)	N.W/G.W (kgs)	QTY (pair)	Package Size (cm)
FJS0210	2	270	365	3.0/3.2	10	62X26X31
FJS0310	3	270	365	3.2/3.4	10	69.5X29X31.5

Model	Capacity (ton)	Min.Height (mm)	Max.Height (mm)	N.W/G.W (kgs)	QTY (pair)	Package Size (cm)
JPJS0310	3	275	425	6.5/7.0	1	27X21.5X33

# HEAVY DUTY LONG FLOOR JACK



Model	Capacity (ton)	Min.Height (mm)	Max.Height (mm)	product size (cm)	N.W/G.W (k.g)	Package Size (cm)
LFJ0207	2	140	660	111.5×38.5×20	49/58	115.5×42.5×27.5
LFJ0307	3	140	660	111.5×38.5×20	54/68	115.5×42.5×27.5
LFJ0507	5	160	600	152×38×20.5	86/95	154×42×27.5
LFJ0807	8	160	600	152×38×20.5	90/105	154×42×27.5
LFJ1007	10	160	600	162×48×25	108/128	165×48×32
LFJ1507	15	190	645	162×50×27.5	166/184	172×53×35.5
LFJ2007	20	190	645	162×50×27.5	180/198	172×53×35.5

# ELECTRIC CAR JACK



ECJ010A  
ECJ010B



ECJ020C  
ECJ020D



ECJ020G  
ECJ020H

Model	Capacity (ton)	Supply Voltage (V)	Rated Current (A)	Rated Power (W)	Rising Range (mm)	N.W/G.W (k.g)	QTY (pcs)	Package Size (cm)
ECJ010A	1	12	15	75	120-350	22/23	4	51×45.5×25.5
ECJ010B	1 (加高)	12	15	75	180-400	22.5/23.5	4	51×45.5×25.5

Model	Capacity (ton)	Supply Voltage (V)	Rated Current (A)	Rated Power (W)	Rising Range (mm)	Wrench Size	N.W/G.W (k.g)	QTY (pcs)	Package Size (cm)
ECJ020C	2	12	15	80	120-350	17-19-21-23	22/23	3	45.5×38×37
ECJ020D	2 (加高)	12	15	80	180-400	17-19-21-23	22.5/23.5	3	45.5×38×37

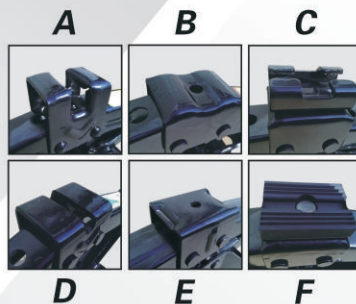
Model	Capacity (ton)	Supply Voltage (V)	Rated Current (A)	Rated Power (W)	Rising Range (mm)	Wrench Size	N.W/G.W (k.g)	(pcs)	Package Size (cm)
ECJ020G	2	12	15	80	130-420	17-19-21-23	5.3	1	36×31×11.5
ECJ020H	2 (加高)	12	15	80	170-490	17-19-21-23	5.5	1	36×31×11.5

# SCISSOR JACK

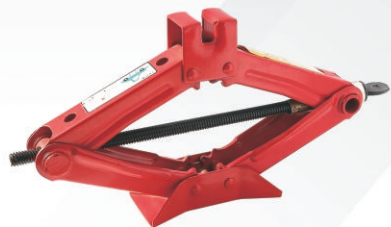
# SPIRAL JACK



SJ00608



## SPIRAL JACK



SJ00808  
SJ01008  
SJ01508



SJ02008



## SCISSOR JACK

Model	Capacity (ton)	Min.Height (mm)	Max.Hegiht (mm)	N.W (k.g)	QTY/CTN (pcs)	Package Size (cm)
SJ00608	0.6	45	345	1.6	10	45×35.3×19
SJ00808	0.8	110	320	1.7	10	45.5×38×24.5
SJ01008	1	105	350	1.9	10	45.8×41.7×24.5
SJ01508	1.5	110	390	2.2	10	45.5×45.1×24.5
SJ02008	2	100	470	3.1	6	53.5×37.5×22

## SPIRAL JACK

Model	Capacity (ton)	Min.Height (mm)	Max.Hegiht (mm)	N.W/G.W (k.g)	QTY/CTN (pcs)	Package Size (cm)
SP0208A	2	160	325	3.6	6	50×25.5×22
SP0208B	2	180	385	3.9	6	50×25. ×22
SP0208C	2	210	485	4.3	6	50×25.5×25

# TRAILER JACK

# TRAILER JACK



MJ1000

MJ1500  
MJ2000

ATJ2000

ATJ2000-1

BTJ2000  
BTJ2000-1

BTJ2000-2  
BTJ2000-3



PTJ2000  
PTJ2000-1



PTJ2000-2  
PTJ5000-2  
PTJ2000-3

## RV STABILIZER JACK



RSJ5000  
RSJ7000

RSJ3500

SJ7000

SJ5000

### MARINE JACK

Model	Capacity	Handle Type	Travel (inch)	Wheel Diameter (inch)	A Retracted (inch)	B Extended (inch)	C Clearance (inch)	N.W/G.W (k.g)
MJ1000	1000LBS	Sidewind	10	6	12-1/5	22-1/5	10	6/6.3
MJ1500	1500LBS	Sidewind	12	6	13-3/4	25-3/4	12-1/5	7.1/7.5
MJ2000	2000LBS	Sidewind	12	6	14-1/4	26-1/4	11-4/5	7.5/7.9

### A FRAME JACK

Model	Capacity	Handle Type	Travel (inch)	A Retracted (inch)	B Extended (inch)	C Clearance (inch)	N.W/G.W (k.g)
ATJ2000	2000LBS	Top wind	15	8	23	11	4.6/4.8

### A FRAME JACK

Model	Capacity	Handle Type	Travel (inch)	A Retracted (inch)	B Extended (inch)	C Clearance (inch)	N.W/G.W (k.g)
ATJ2000-1	2000LBS	Sidewind	15	9	23	13	5.2/5.5

### BRACKET-MOUNT JACK

Model	Capacity	Handle Type	Travel (inch)	A Retracted (inch)	B Extended (inch)	C Clearance (inch)	N.W/G.W (k.g)
BTJ2000	2000LBS	Top wind	10	11	21	4	5.2/5.4
BTJ2000-1	2000LBS	Top wind	15	14-1/2	29-1/2	10	6.5/6.8

### BRACKET-MOUNT JACK

Model	Capacity	Handle Type	Travel (inch)	A Retracted (inch)	B Extended (inch)	C Clearance (inch)	N.W/G.W (k.g)
BTJ2000-2	2000LBS	Sidewind	10	10-3/8	20-3/8	6-5/16	5.7/5.9
BTJ2000-3	2000LBS	Sidewind	15	14-13/32	29-13/32	12-1/4	7.0/7.3

### PIPE-MOUNT JACK

Model	Capacity	Handle Type	Travel (inch)	A Retracted (inch)	B Extended (inch)	C Clearance (inch)	N.W/G.W (k.g)
PTJ2000	2000LBS	Top wind	10	11	21	4	4.9/5.1
PTJ2000-1	2000LBS	Top wind	15	14-1/2	29-1/2	10	6.2/6.6

### PIPE-MOUNT JACK

Model	Capacity	Handle Type	Travel (inch)	A Retracted (inch)	B Extended (inch)	C Clearance (inch)	N.W/G.W (k.g)
PTJ2000-2	2000LBS	Sidewind	10	11-3/16	21-3/16	5-7/16	5.4/5.6
PTJ5000-2	5000LBS	Sidewind	10	10-1/2	20-1/2	6-1/14	5.8/6.0
PTJ2000-3	2000LBS	Sidewind	15	14-3/8	29-3/8	12-1/4	6.8/7.2

### SQUARE JACK

Model	Capacity	Handle Type	Travel (inch)	A Retracted (inch)	B Extended (inch)	C Clearance (inch)	N.W/G.W (k.g)
SJ7000	7000LBS	Top wind	15	25-1/16	53-9/16	13-1/2	22/24

### SQUARE JACK

Model	Capacity	Handle Type	Travel (inch)	A Retracted (inch)	B Extended (inch)	C Clearance (inch)	N.W/G.W (k.g)
SJ5000	5000LBS	Sidewind	15	22-5/8	51-3/8	13-1/2	20/24

### RV STABILIZER JACK

Model	Capacity	Travel (inch)	Min height (mm)	Max height (mm)	N.W/G.W (k.g)	QTY (pcs)
RSJ3500	3500LBS	18	8-1/12	26-1/12	9.6/10.8	2
RSJ5000	5000LBS	24	105	606	11.2/12	2
RSJ5000-1	5000LBS	30	105	762	7.3/8.0	1
RSJ7000	7000LBS	24	120	610	13.6/14.1	2



PPJ0401B  
PPJ1001B



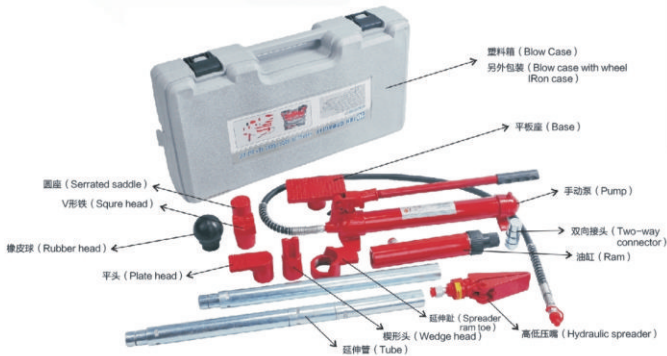
PPJ0401I  
PPJ1001I



PPJ1001BW



PPJ2001I



## RORTA POWER JACK

Model	Capacity (ton)	Min.Height (mm)	Max.Height (mm)	N.W (kg)	G.W (k.g)	Package size (cm)
PPJ0401B	4	275	395	16	18	57×25×18
PPJ1001B	10	360	512	27.5	30	73×39×17.5
PPJ0401I	4	275	395	16	19	56.5×24×16.5
PPJ1001I	10	360	512	27.5	30	73×31×17.5
PPJ1001BW	10	360	512	27.5	31	93.5×40×19
PPJ2001I	20	385	530	35	36	76X32X17

## PIPE BENDER



PB1202



PB1602

Model	Capacity (ton)	Die Size (in)	N.W (kg)	G.W (k.g)	Package size (cm)
PB1202	12	1/2", 3/4", 1", 1-1/4", 1-1/2", 2"	32	34	63×54×17
PB1602	16	1/2", 3/4", 1", 1-1/4", 1-1/2", 2", 2-1/2", 3"	50	52	68×61×19

# ENGINE STAND



# ENGINE STAND

## ENGINE STAND

Model	Capacity (lbs)	Height (mm)	N.W (kg)	G.W (k.g)	Package size (cm)
ES07503	750	800	17.0	18.0	88X20X18
ES10003	1000	800	19.0	20.0	90X21X18
ES12503	1250	820	26.0	27.0	87X24X21
ES15003	1500	820	30.0	31.0	87X24X21
ES20003A	2000	815	38.0	40.0	92X40X20
ES20003B	2000	815	40.0	41.0	95X45X17

## ENGINE SUPPORT



Model	Capacity (ton)	Working Range (mm)	Height Adj (mm)	N.W (kg)	G.W (k.g)	Package size (cm)
ES03003	0.3	1015-1380	0-305	15.5	16.5	103X13X11
ES05003	0.5	730-1480	0-205	16	17	153X13X12



**360° ROTATABLE**

**SC10004C  
SC20004C**



**SC10004  
SC20004**



**SC0104A(2-3)  
SC0204A(2-4)**

CAN CHANGE WITH DUAL PISTONS



**SC0104B (2-3)  
SC0204B (2-4)**

CAN CHANGE WITH DUAL PISTONS



**SC0304A**

### PICK-UP TRUCKCRANE

Model	Capacity (lbs)	Working Range of Boom (mm)	Min.Height (mm)	Max.Height (mm)	N.W (k.g)	G.W (k.g)	Package size (cm)
SC10004	1000	680-1050	0	1800	44.0	45.0	A#29X29X34 B#30X28X20
SC10004C	1000	680-1050	0	1800	46.0	47.0	A#29X29X34 B#30X28X20
SC20004	2000	930-1300	0	1800	58.0	60.0	A#29X29X34 B#112X28X22
SC20004C	2000	930-1300	0	1800	60	62	A#29X29X34 B#112X28X22

### FIXED SHOP CRANE

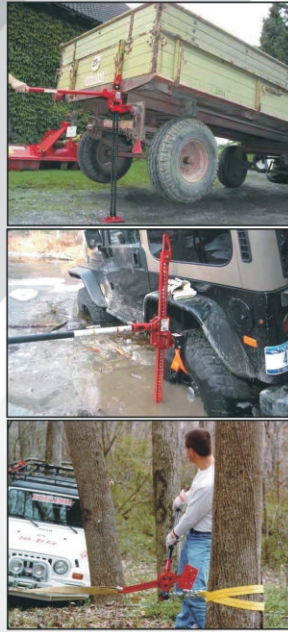
Model	Capacity (ton)	Min.Height (mm)	Max.Height (mm)	Height of Crane (mm)	Length of Crane (mm)	N.W (k.g)	G.W (k.g)	Package size (cm)
SC0104A-2	1	0	1800	1360	1450	72	74	A#132X30X16 B#131X84X9
SC0104A-3	1	0	1800	1360	1450	78	80	A#132X30X16 B#131X84X9
SC0204A-2	2	0	2380	1360	1450	72	74	A#132X30X16 B#131X84X9
SC0204A-3	2	0	2380	1360	1450	78	80	A#132X30X16 B#131X84X9
SC0204A-4	2	0	2380	1360	1450	82	84	A#132X30X16 B#131X84X9
SC0304A	3	0	2200	1560	2150	110	115	A#135X83X12 B#145X33X22

### FOLDABLE SHOP CRANE

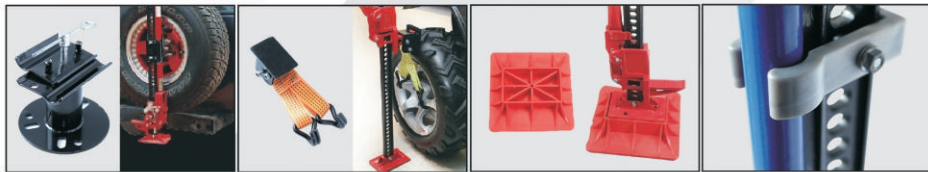
SC0104B-2	1	0	2100	1450	1550	72	74	A#136X31.5X16 B#73X58.5X9
SC0104B-3	1	0	2100	1450	1550	76	78	A#139.5X31.5X16 B#83X58.5X9
SC0204B-2	2	0	2380	1450	1550	72	74	A#136X31.5X16 B#73X58.5X9
SC0204B-3	2	0	2380	1450	1550	76	78	A#139.5X31.5X16 B#83X58.5X9
SC0204B-4	2	0	2380	1450	1650	82	84	A#139.5X31.5X16 B#83X58.5X9



# OFF-ROAD JACK



## OFF-ROAD JACK ACCESSORIES



60×41×22cm/6pcs    33×44×15cm/10pcs    40×32×32cm/5pcs    28×26×23cm/80pcs

Model	Capacity (ton)	Min. Height (mm)	Max. Height (mm)	Base Size (mm)	N.W/G.W (k.g)	QTY/CTN (pcs)	Package Size (cm)
FJ2009	3	130	510	18×12	11/12	1	54×24×24
FJ3309	3	130	700	18×12	12/13	1	89×24×14
FJ4809	3	130	1070	18×12	13/14	1	124×24×14
FJ6009	3	130	1350	18×12	14/15	1	154×26×14

# HYDRAULIC SHOP PRESS



Model	Capacity (ton)	Stroke (mm)	Working Range (mm)	Product size (mm)	N.W/G.W (kgs)	Package Size (cm)
SP0606	6	110	110-270	940×420×450	32/34	97×42×12
SP1206	12	130	245-720	1210×560×510	43/45	A#58X23X19 B#126X20X9
SP2006	20	150	165-910	700×600×1500	80/82	A#83X24X28 B#160X15X15
SP3006	30	160	165-960	700×640×1790	110/125	165X35X30

## SHOP PRESS WITH GAUGE

## SHOP PRESS WITH GAUGE



**SP1007**



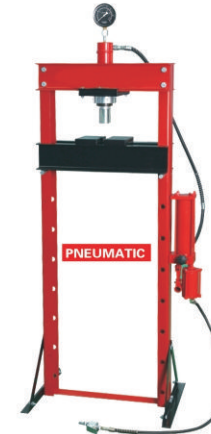
**SP1007-1  
SP1207  
SP2007  
SP3007**



**WITH FOOT  
SP1207F  
SP2007F  
SP3007F**



**SP1207A  
SP2007A  
SP3007A**



**PNEUMATIC  
SP1207AQ  
SP2007AQ  
SP3007AQ**



**PNEUMATIC  
SP4007A  
SP4007AQ**

Model	Capacity (ton)	Stroke (mm)	Working Range (mm)	Product size (mm)	N.W/G.W (kgs)	Package Size (cm)
SP1007	10	135	350	700X540X160	45/46	65X27X24
SP1007-1	10	135	0-970	700X400X160	58/62	82X22X20
SP1207	12	135	245-720	1300×540×200	72/74	A#65X25X16 B#138X16X21
SP2007	20	150	165-1010	700×640×1790	90/92	A#80X24X14 B#160X17X22
SP3007	30	160	165-1070	700×640×1800	120/135	165X35X30
SP1207F	12	135	245-720	1300×540×200	74/76	A#65X25X16 B#138X16X21
SP2007F	20	150	165-1010	700×640×1790	92/94	A#80X24X14 B#160X17X22
SP3007F	30	160	165-1070	700×640×1800	120/135	165X35X30

Model	Capacity (ton)	Stroke (mm)	Working Range (mm)	Product size (mm)	N.W/G.W (kgs)	Package Size (cm)
SP1207A	12	135	245-720	1300×540×200	72/74	A#65X25X16 B#138X16X21
SP2007A	20	150	165-1010	700×640×1790	90/92	A#80X24X14 B#160X17X22
SP3007A	30	160	165-1010	700×640×1800	120/135	165X35X30
SP1207AQ	12	135	245-720	1300×540×200	74/76	A#65X25X16 B#138X16X21
SP2007AQ	20	150	165-1010	700×640×1790	92/94	A#80X24X14 B#160X17X22
SP3007AQ	30	160	165-1070	700×640×1800	120/135	165X35X30
SP4007A	40	175	165-1080	1700×870×850	210/230	180X87X35
SP4007AQ	40	175	165-1080	1700×870×850	210/230	180X87X35

# SHOP PRESS WITH GAUGE

# TRANSMISSION JACK



**SP1207B  
SP2007B  
SP3007B**

**SP4007B**

**SP4007 SP4007Q  
SP5007 SP5007Q**

Model	Capacity (ton)	Stroke (mm)	Working Range (mm)	Product size (mm)	N.W/G.W (kgs)	Package Size (cm)
SP1207B	12	135	245-720	1300×540×200	72/74	A=65X25X16 B=138X16X21
SP2007B	20	150	165-1010	700×640×1790	90/92	A=80X24X14 B=160X17X22
SP3007B	30	160	165-1070	700×640×1800	120/135	165X35X30
SP4007B	40	175	165-1080	1700×870×850	210/230	180X87X35
SP4007	40	220	165-1080	1700×870×850	215/235	180X87X35
SP4007Q	40	220	165-1080	1700×870×850	215/235	180X87X35
SP5007	50	220	90-1040	1650×870×850	235/250	175X87X35
SP5007Q	50	220	90-1040	1650×870×850	235/250	175X87X35



**TJ0508A  
TJ0508B**



**TJ0508C**



**TJ0508D**

Model	Capacity (ton)	Min. Height (mm)	Max. Height (mm)	Product Size (mm)	N.W/G.W (k.g)	Package Size (cm)
TJ0508A	0.5	1100	1680	560X550X1120	26/27	105X25X27
TJ0508B	0.5	1100	1900	560X550X1180	30/31	112X22.5X28
TJ0508C	0.5	1260	1970	650X650X1370	34/36	112X22.5X28
TJ0508D	0.5	1280	1800	870X870X1300	30/32	87X35X20

# TRANSMISSION JACK



TJ0508F  
TJ0508FQ



TJ0508F-1

Model	Capacity (ton)	Min.Height (mm)	Max.Height (mm)	Product Size (mm)	N.W/G.W (k.g)	Package Size (cm)
TJ0508F	0.5	870	1790	780X680X960	55/60	80×52×23
TJ0508FQ	0.5	870	1790	780X680X960	57/62	80×52×23
TJ0508F-1	0.5	850	1770	780X680X960	75/82	90X55X37

# TRANSMISSION JACK



TJ0508E(2-3)



TJ0508EQ(2-3)

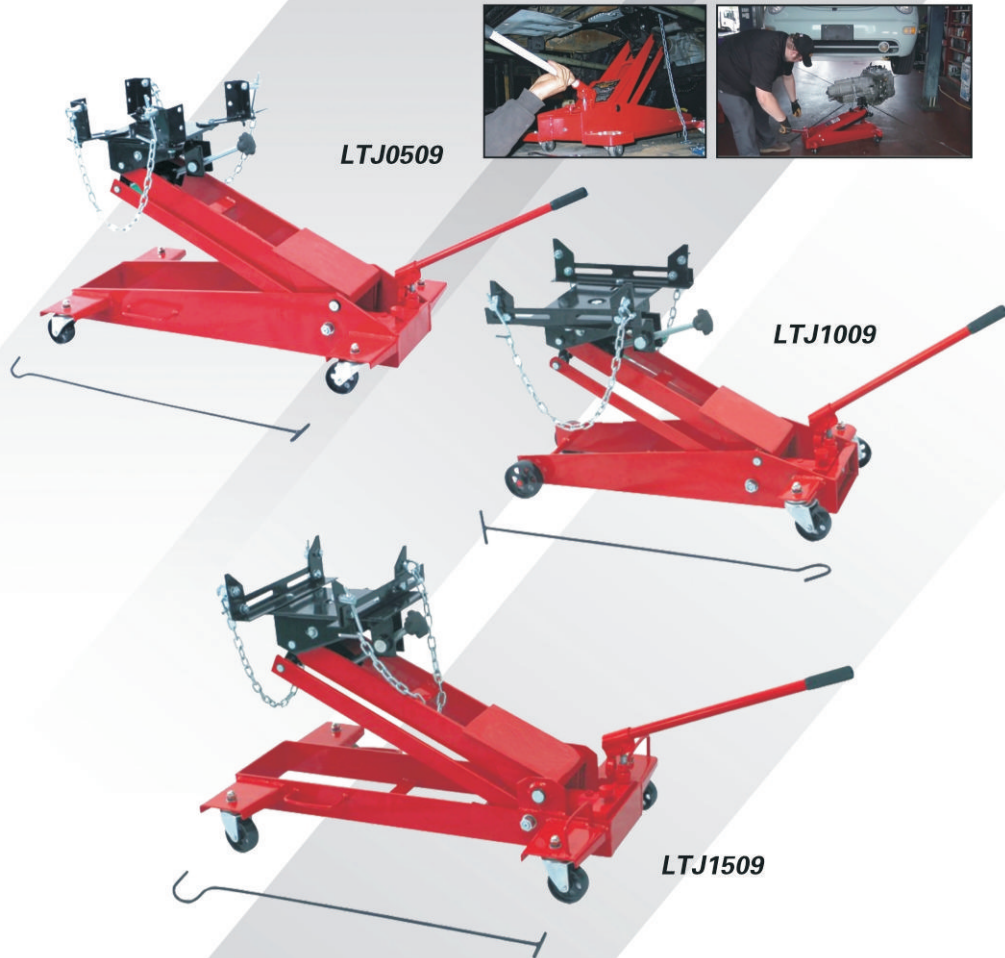


TJ1008

Model	Capacity (ton)	Min.Height (mm)	Max.Height (mm)	Product Size (mm)	N.W/G.W (k.g)	Package Size (cm)
TJ0508E-2	0.5	870	1790	780X680X960	56/62	76X52X29
TJ0508E-3	0.6	870	1790	780X680X960	59/67	76X52X29
TJ0508EQ-2	0.5	870	1790	780X680X960	58/64	76X52X29
TJ0508EQ-3	0.6	870	1790	780X680X960	60/68	76X52X29
TJ1008	1	830	1760	780X680X960	80/89	100X55X37

# LOW TRANSMISSION JACK

# AIR HYDRAULIC BOTTLE JACK



Model	Capacity (ton)	Min.Height (mm)	max.heght (mm)	product size (mm)	N.W/G.W (kgs)	Package Size (cm)
LTJ0509	0.5	190	680	790X290X180	40/44	85X45X23
LTJ1009	1	210	780	855X495X280	54/62	98X54X34
LTJ1509	1.5	230	890	925X525X240	74/80	98X56X31



AIR PRESSURE:0.75-0.85mpa

Model	Capacity (ton)	Min.Height (mm)	Max.heght (mm)	Lifting heght (mm)	Adjust heght (mm)	N.W/G.W (kgs)	Package Size (cm)
AFJ2210	22	225	450	145	80	36.0/38.0	64X35X30
AFJ3010	30	277	547	150	120	42.0/44.0	64X35X34
AFJ3510	35	277	547	150	120	42.0/44.0	64X35X34
AFJ5015	50	277	547	150	120	46.0/48.0	66X36X35
AJ1210	12	250	510	180	80	12.0/12.5	24X18X27
AJ2010	20	260	510	170	80	15.5/16.0	28X22X28
AJ3010	30	265	405	140	-	21.5/22.5	30X30X29
AJ5010	50	260	410	150	-	32/34	35X35X29.5

# ATV&MOTORCYCLE LIFT JACK

# MOTORCYCLE SUPPORT STAND



**MLJ15012  
MLT15013**



**MLJ16015**



**MLJ15012Q  
MLJ15013Q**



**MLJ16012**



**MLJ16013**



**MLJ16014**

Model	Capacity (lbs)	Min.Height (mm)	Max.hegihht (mm)	Bottom Size (mm)	N.W/G.W (k.g)	Package Size (cm)
MLJ15012	1500	115	380	820X370	26/27	89X40X14
MLJ15012Q	1500	115	380	820X370	28/29	89X40X14
MLJ15013	1500	146	420	820X370	32/34	89X44X16.5
MLJ15013Q	1500	146	420	930X435	35/37	89X44X16.5
MLJ16012	360	290	410	296X236	7/7.5	35X29X25.5
MLJ16013	1000	85	340	360X220	13.5/14	45X26X10.5
MLJ16014	1000	95	400	450X150	14.5/15.5	54X36X10
MLJ16015	18"	/	/	/	9.5/10.5	66X48X19



**MSS30014**



Model	Capacity (kgs)	N.W/G.W (kgs)	QTY/CTN (pcs)	Package Size (cm)
MSS10014	100	17/18	6	80X48X40
MSS20014	200	27/29	6	88X57X43
MSS20015	200	4.8/5.2	1	64X38X9
MSS20016	200	6/6.5	1	64X47X9
MSS25014	250	5/5.2	1	/
MSS30014	300	15/17	1	/



**MSS10014**

**MSS20014**



**MSS20015**



**MSS25014**



**MSS20016**

# MOTORCYCLE LIFT TABLE

# MOTORCYCLE LIFT TABLE



**MLT30018**



**MLT30017**



**MLT08019  
MLT10019**



**MLT08020  
MLT10020**



**MLT08019Q  
MLT10019Q**



**MLT08020Q  
MLT10020Q**

Model	Capacity (lbs)	Min.Height (mm)	Max.height (mm)	N.W/G.W (kgs)	Table.Size (mm)	Ramp Size (mm)	Package Size (cm)
MLT30017	300	350	870	30/32	410X350	-	49X44X37
MLT30018	300	350	870	29/31	410X350	-	49X44X37

Model	Capacity (lbs)	Min.Height (mm)	Max.height (mm)	N.W/G.W (kgs)	Table.Size (mm)	Ramp Size (mm)	Package Size (cm)
MLT08019	800	200	780	98/115	1750X500	450X500	150X67X22
MLT10019	1000	195	780	130/150	1800X660	690X660	190X75X23
MLT08019Q	800	200	780	100/118	1750X500	450X500	150X67X22
MLT10019Q	1000	195	780	135/160	1800X660	690X660	190X75X23
MLT08020	800	180	680	104/126	1900X530	420X530	198X58X26
MLT10020	1000	180	780	120/145	2060X550	600X550	217X61X28
MLT08020Q	800	180	680	107/129	1900X530	420X530	198X58X26
MLT10020Q	1000	180	780	123/148	2060X550	600X550	217X61X28

# VEHICLE RAMP

VR0223 VR0224



Model	Capacity (ton)	Product size (cm)	N.W/G.W (kgs/pcs)	Package Size (cm)
VR0223	1	83.5x18x27.5	4.2/4.5	100.5x33x48 (6pcs)
VR0224	1.5	94x26x20	9.0/9.5	102x32x30 (2pcs)



## ENGINE LEVELER



EL15025



EL15026

Model	Capacity (lbs)	Operating Range (mm)	N.W/G.W (kgs)	Package Size (cm)
EL15025	1500	420	5.5/6.0	46X20X5.5
EL15026	1500	420	6.0/6.5	46X20X5.5

## LIFT TABLE CART



LTC30027



LTC15028  
LTC30028  
LTC50028  
LTC75028

Model	Capacity (kgs)	Min.Height (mm)	Max.height (mm)	Table.Size (mm)	N.W/G.W (kgs)	Package Size (cm)
LTC15028	150	225	700	708X450	40/41	81X49X25
LTC30028	300	240	750	820X520	45/46	92.5X58.5X25.5
LTC50028	500	295	780	820X520	58.4/63.4	92.5X58X28
LTC75028	750	280	780	820X520	61/70	92.5X58X30
LTC30027	300	360	1220	820X520	90/103	91.5X56.5X37.5

# SPRING COMPRESSOR

## HYDRAULIC LOG SPLITTER



HLS1029

Model	HLS1029
Capacity	10ton
Max Log Length	18-1/2"
Log Diameter	7"
Overall Size	1070X250X208mm
N.W./G.W.	36.0/38.0kgs
Package Size	118X22X31cm



SC0130



SC130Q

Model	SC0130	SC130Q
Capacity	1ton	1ton
Compressed Spring Diameter	400mm	400mm
Compression Length	210-570mm	210-570mm
N.W/G.W	30/35kgs	32/37kgs
Package Size	119X28X20cm	119X28X20cm

## PORTABLE TIRE CHANGER



SC0131

Model	SC0131
Capacity	1ton
Compressed Spring Diameter	100-200mm
Working Length	270mm
Compression Length	100mm
N.W/G.W	22.0/23.0kgs
Package Size	62X25X17cm



PTC0132

Model	PTC0132	PTC0133
Base Size	15-21	4-21
Wheel Rest Plate	7-1/2 diameter and 3/16" thick	multi-tire changer
N.W/G.W	18/19kgs	28/34.5kgs
Package Size	97X21X20cm	57X35X71cm



PTC0133





# CAR CREEPER



Model	CC 15036(36")	CC 15037(40")	CC 15033(36")	CC 15034(40")	CC 15035(36")
Capacity	150KG	150KG	136KG	136KG	136KG
N.W/G.W	5.5/6.0kgs	6.0/6.5kgs	5.0/6.0kgs	6.0/7.0kgs	5.5/6.0kgs
Overall Size	92X43.5X10.5cm	99.5X47.5X12cm	91.4X43X9cm	102X43X12cm	91.4X38X9cm
Package Size	96X45X9cm	103X52X9cm	44X13X93cm	103X44X13cm	38X14X47cm

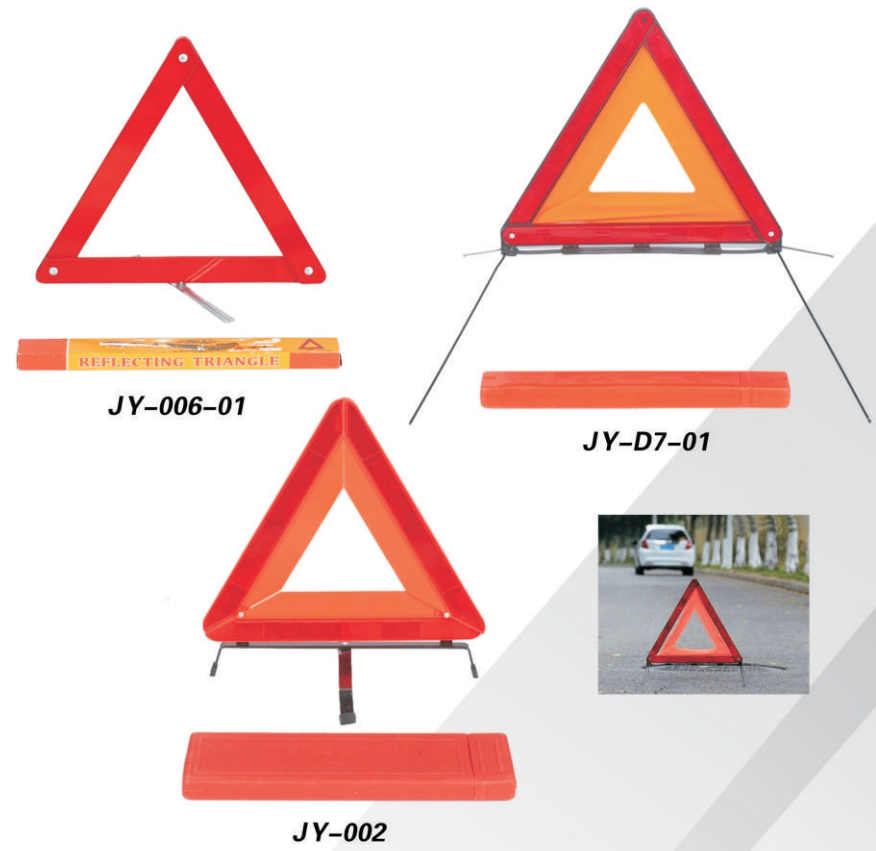
## PER DOLLY

## POSITIONING JACK



Model	CD05438	CD05439	CD06838 (9")	CD06839 (12")	CD06840 (12")
Capacity	2000lbs	3000lbs	1500lbs	1500lbs	1500lbs
N.W/G.W	15.5/16.5kgs/pair	15.0/15.5kgs/pair	17/19kgs	18/20kgs	18.5/20.5kgs
Package Size	65X42X12cm	45X36X9cm	62X62X22cm	68X62X22cm	68X62X22cm

# WARNING TRIANGLE



Model	Product Material	Product Size (cm)	N.W/PCS (g)	N.W/G.W (kgs)	PCS/CTN	Package Size (cm)
JY-006-01	GPPS+IRON	42X42X42	180	9/10	50PCS	41.5X42X26
JY-005	GPPS+HIPS	43X43X43	350	17.5/18	50PCS	42X27X40
JY-006	GPPS+IRON	43X43X43	450	22/23	50SETS	44X42X27
JY-002-06	GPPS+HIPS	43X43X43	600	12/12.5	20PCS	46X31X26
JY-D7-01	PMMA+HIPS	43X43X43	380	11/11.5	30PCS	45X20.5X24
JY-D7-02	GPPS+ABS	43X43X43	400	12/12.5	30PCS	45X22X29.5
JY-B018	GPPS+HIPS	43X43X43	525	20.5/21.5	30PCS	44.5X23X33.5
JY-002	GPPS+HIPS	43X43X43	700	14/14.5	20PCS	46X32X32

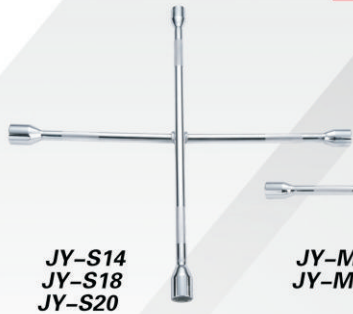
# TIRE WRENCH

## L TYPE END-MILL TIRE WRENCH



JY-L17  
JY-L19  
JY-L21  
JY-L22

Model	Size	Length (mm)	N.W/G.W (kgs)	QTY/CTN (pcs)	Package Size (cm)
JY-L17	17mm	300	15/16	30	35X23X34
JY-L19	19mm	300	15/16	30	35X23X34
JY-L21	21mm	300	16/17	30	35X23X34
JY-L22	22mm	300	16/17	30	35X23X34



JY-S14  
JY-S18  
JY-S20



JY-M18  
JY-M20



JY-W14



## ACROSS TIRE WRENCH



Model	Size (mm)	Length (mm)	N.W/G.W (kgs)	QTY/CTN (pcs)	Package Size (cm)
JY-S14	17*19*21*23	350	25/26	20	30X28X33
JY-S18	17*19*21*23	450	25/26	16	38X35X29
JY-S20	17*19*21*23	500	27/28	16	42X38X29
JY-M18	17*19*21*1/2	450	24/25	16	38X35X39
JY-M20	17*19*21*1/2	500	26.5/27.5	16	42X48X29
JY-W14	17*19*21*23	350	26.5/27.5	20	30X28X33

## FLEXIBLE TIRE WRENCH



JY-N002

JY-N001

Model	Size	Length (mm)	N.W/G.W (kgs)	QTY/CTN (pcs)	Package Size (cm)
JY-N001	17*19*21*23	450	21/22	20	44X30X29.5
JY-N002	17*19*21*23	500	21/23	20	44X33.5X29.5

# LABOR SAVING WRENCH



QL-18XC



QL-58A  
COMMON TYPE



QL-58B  
LONGER TYPE

Model	Description	Packing	Weight/pcs	Carton Size
QL-18XC	Gear ratio:1:18 with 3 sockets(17/21) Output Torque:360N.M	1set/box 5sets/ctn	2.3KG	42.5X29X22cm(5pcs)
QL-58A Common Type	Gear ratio:1:58 Length:270mm with 2 sockets Output Torque:3800N.M	1set/box 4sets/ctn	7.6KG	37.5X37.5X21cm(4pcs)
QL-58B Longer Type	Gear ratio:1:58 Length:310mm with 2 sockets Output Torque:4800N.M	1set/box 4sets/ctn	8.1KG	40.5X37.5X21cm(4pcs)
QL-88BS Speed-Change	Gear ratio:1:58 Length:330mm with 2 sockets Output Torque:4800N.M	1set/box 3sets/ctn	9.5KG	36X31.5X24.5cm