

本目錄所有產品，以實品為準，如有更改，另行通知。
本目錄產品顏色與實際產品及印刷顏色，與實物有所偏差，敬請事先了解。
All Copyrights reserved, reprint is allowed.
All discrepancy of products in the catalogue are subjected to the real product.



HOTEL/WEDDING FURNITURE

佛山市欣一美酒店用品有限公司 FOSHAN XINYIMEI HOTEL PRODUCT CO.,LTD

联系电话:

国内专线: 0757-8186 7176

国际1线: 0757-8186 7326

国际2线: 0757-8186 3086

手机/微信:

国内专线: 133 2676 1598

国际专线: 180 2938 2658

邮箱: sales@xymfurniture.com

ting@xymfurniture.cn

网址: www.xymfurniture.com

www.gt-furniture.com

厂址一: 广东省佛山市南海区九江镇梅洲工业区

厂址二: 广东省佛山市南海区西樵镇大同七星工
业区马腰1号之四

Tel: Office Line1: +86-757-8186 7326

Office Line2: +86-757-8186 3086

Mobile/Whatspp/Wechat:

+86-180 2938 2658

E-mail: sales@xymfurniture.com

ting@xymfurniture.cn

Website: www.xymfurniture.com

www.gt-furniture.com

Factory add 1: Meizhen Industry, Jiujiang
Town, Nanhai District, Foshan City,
Guangdong Province

Factory add 2: Mayao No. 1-4, Qixing Industrial
Zone, Datong Town, Xiqiao Town, Nanhai District,
Foshan City, Guangdong Province.



ISO9001:2015

专业生产酒店宴会家具及配套

FURNITURE FOR HOTEL & WEDDING

工欲善其事·必先利其器

He that will do his work well, must first gain his power.



专业制造酒店宴会家具及配套 FURNITURE MANUFACTURE FOR HOTEL AND BANQUET

欣一美酒店家具，始创于2007年，经过多年的发展与历练，欣一美已蜕变成行业内颇具影响力的供应商。如今，欣一美已拥有超过10年的制造和出口经验，专业生产酒店宴会家具、婚礼家具和户外家具等。2017年，欣一美创立子品牌——美佳时，旨在普及高质量家具的辨别方法及为广大采购商提供优质实用的家具。

10多年来，欣一美已服务超过60个国家和地区的客户，横跨6个大洲。一直以来，欣一美传承着一流的产品设计理念，拥有先进的生产设备，掌握核心的产品制作流程，可为您量身定制家具。优质的产品，贴心的服务，良好的信誉等优势使欣一美在市场上声名远播。

欣一美工厂总占地面积9000平方米，划分为布草、五金、塑料3个车间，各车间分工合作，相互配合，务求生产制作精益求精。从原材料的细致挑选，到成品的严格质量检测，都是欣一美产品高质量的有力保障。

欣一美对家具设计与生产的高标准、严要求同样贯穿于服务中。由100多人组成的欣一美团队已形成完善的质量服务保障体系，从整体规划设计、生产制造到运输安装，每一个细节欣一美都会为您考虑周全。

XinYiMei Hotel Furniture was founded in 2007. After years of developing, XinYiMei has become an influential supplier in this field. Today, XinYiMei has more than 10 years experience on manufacturing and exporting, specializing in the production of hotel furniture, banquet furniture and outdoor furniture, etc. In 2017, XinYiMei's Sub-bran ---- GreatTime was established, its function is popularize high-quality furniture identification methods. And provide practical furniture for clients.

In the last 10 years, XinYiMei has served more than 60 countries across 6 continents. XinYiMei upholds first-class product design concept all along, owns advanced production equipment, masters first-class product production process, we can customize furniture for you. High-quality products, caring services, good reputation and other advantages make XinYiMei are popular in the market.

XinYiMei Factory covers an area of 9,000 square meters and is divided into 3 workshops: linen, hardware, and plastic. The work-shops cooperate with each other. XinYiMei always strives for perfection in production. From the raw materials care selection, to the high quality control of finished products. All the processes provided the high quality guarantees for XinYiMei's products.

XinYiMei's high standards and strict requirements on the furniture also running through our service. XinYiMei team consisting of more than 100 people has formed a complete quality service warranty system. From the overall planning and design, production manufacturing to the transportation and installation, all the details we will fully consider for you.

目录 CONTENTS



01-10 ▶ 竹节椅系列
Chiavari chair series



11-22 ▶ 宴会椅系列
Banquet chair series



23-26 ▶ 教堂椅系列
Church chair series



27-32 ▶ 仿木椅系列
Wood imitated chair series



33-38 ▶ 不锈钢和吧椅系列
Stainless steel table
and chair series



39-46 ▶ 休闲椅系列
Leisure chair series



47-52 ▶ 折叠椅系列
Folding table &
chair series



53-59 ▶ 卡座/沙发椅系列
Booth & sofa series



60-62 ▶ 儿童椅系列
Children's chair series



63-78 ▶ 布草椅系列
Linen series



79-90 ▶ 宴会餐桌系列
Matching product



91-102 ▶ 宴会配套系列
Banquet supporting supplies

竹节椅系列

CHIAVARI CHAIR SERIES



XINYIMEI 01

竹节椅系列 Chiavari chair series



8ZJ01 椅椅椅椅椅
360 400 920 440 10-12



8ZJ02 椅椅椅椅椅
360 400 920 440 9-11



8ZJ03 椅椅椅椅椅
360 400 920 440 10-12



8ZJ04 椅椅椅椅椅
360 400 920 440 9-11

XINYIMEI 02



82J05 380 400 920 440 9-11



82J06 380 400 920 440 9-11



82J07 380 400 920 450 9-11



82J10 360 450 940 450 5



82J11 360 450 940 450 5



82J12 360 450 920 440 5



82J08 440 480 920 460 7-9



82J09 480 490 955 480 7-9





8ZJ13 尺寸: 360 440 900 470 10



8ZJ14 尺寸: 380 430 930 470 10



8ZJ17 尺寸: 390 450 950 440 10



8ZJ18 尺寸: 385 430 920 440 10



8ZJ15 尺寸: 380 430 930 440 10



8ZJ16 尺寸: 370 430 960 440 10



8ZJ19 尺寸: 390 440 950 440 10



8ZJ20 尺寸: 385 430 920 440 10



82J21 370 430 935 430 9-11



82J22 370 430 920 430 9-10



82J23 380 410 940 430 9-11



82J24 370 430 935 430 9-11



82J25 370 430 930 430 9-10



82J26 380 410 940 430 9-11



82J27 385 415 910 440 4



82J28 385 415 910 440 4



82J29 385 415 910 440 4



82J30 385 415 950 440 4



82J31 385 415 940 440 4



82J32 385 415 940 440 4



82J33 385 415 905 440 4



82J34 385 415 945 440 4



82J35 385 415 1000 440 4





82J36 产品目录图标
385 415 930 440 4



82J37 产品目录图标
385 415 930 440 4



82J38 产品目录图标
385 415 930 440 4



82J45 产品目录图标
370 405 920 450 8-10



82J46 产品目录图标
340 380 890 440 8-10



82J47 产品目录图标
370 405 950 450 8-10



82J39 产品目录图标
385 415 950 440 4



82J40 产品目录图标
385 415 950 440 4



82J41 产品目录图标
385 415 920 440 4



82J48
座包/Cushion



82J49
座包/Cushion



82J50
座包/Cushion



82J42 产品目录图标
390 440 890 430 4



82J43 产品目录图标
385 415 900 440 4

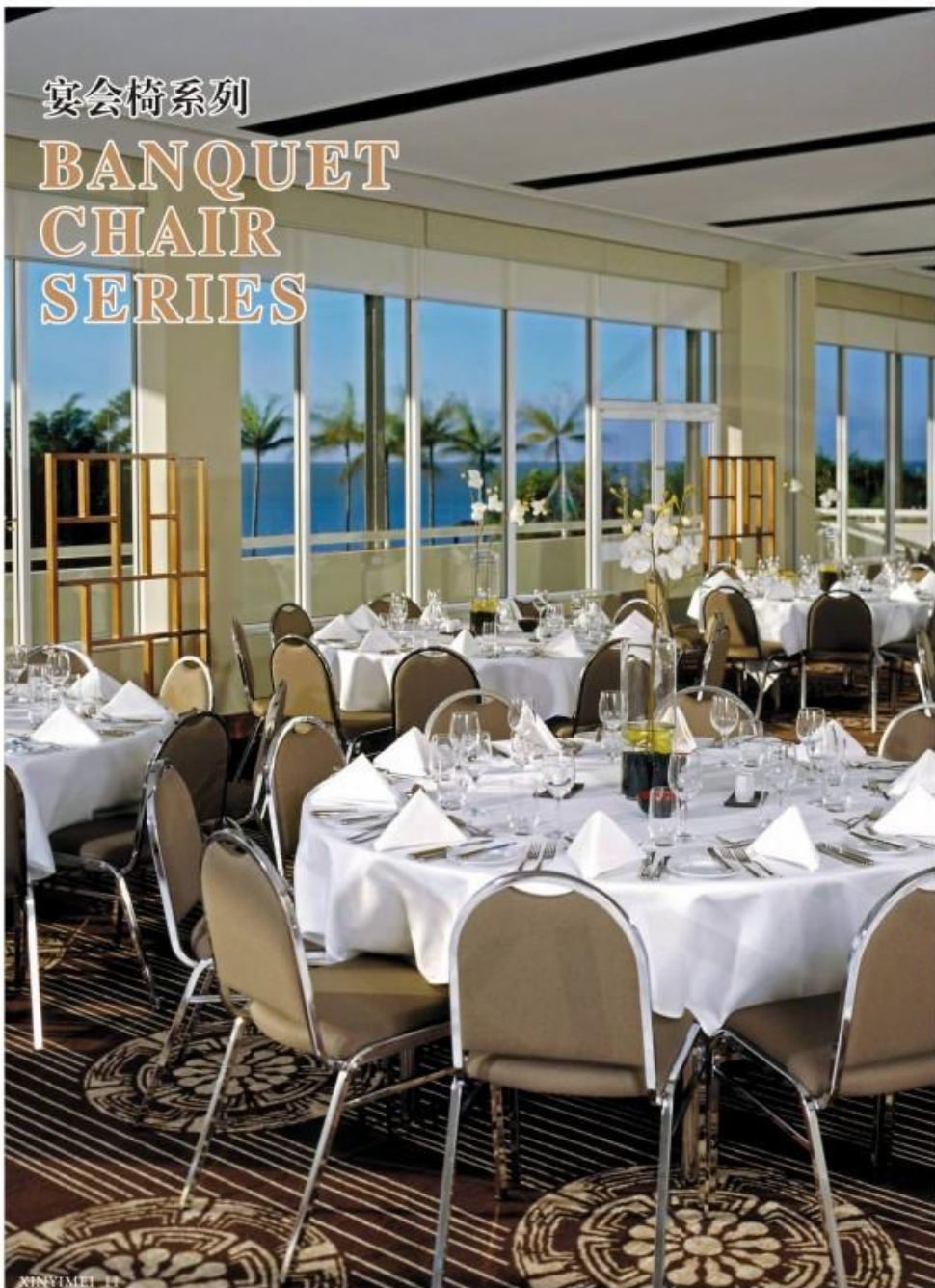


82J44 产品目录图标
385 415 900 440 4



宴会椅系列

BANQUET CHAIR SERIES



XINYIMEI 11

宴会椅系列 Banquet chair series



8YH01 
450 520 920 460 14-16



8YH02 
450 520 920 460 14-16

XINYIMEI 12



8YH03 尺寸图标
450 520 920 460 14-16



8YH04 尺寸图标
445 510 920 460 15-17



8YH07 尺寸图标
450 520 920 460 14-16



8YH08 尺寸图标
445 510 920 460 15-17



8YH05 尺寸图标
450 520 920 460 14-16



8YH06 尺寸图标
445 510 920 460 15-17



8YH09 尺寸图标
450 520 890 460 14-16



8YH10 尺寸图标
445 510 920 460 15-17



8YH11 椅椅椅椅椅
450 520 920 460 14-16



8YH12 椅椅椅椅椅
450 520 920 460 14-16



8YH15 椅椅椅椅椅
450 520 920 460 14-16



8YH16 椅椅椅椅椅
450 520 920 460 14-16



8YH13 椅椅椅椅椅
450 520 930 460 14-16



8YH14 椅椅椅椅椅
450 520 930 460 14-16



8YH17 椅椅椅椅椅
450 520 920 460 14-16



8YH18 椅椅椅椅椅
460 540 950 460 13-15



8YH19
450 520 905 460 14-16



8YH20
460 520 940 480 15-15



8YH21
450 520 930 460 14-16



8YH28
450 540 960 455 13-15



8YH29
450 520 930 460 14-16



8YH30
450 520 930 460 14-16



8YH22
450 520 920 460 14-16



8YH23
460 520 920 480 14-16



8YH24
450 520 920 460 14-16



8YH31
460 540 950 480 13-15



8YH32
460 540 950 460 13-15



8YH33
460 580 870 480 14-16



8YH25
450 520 930 460 14-16



8YH26
460 520 930 480 14-16



8YH27
450 520 910 460 14-16



8YH34
450 520 930 450 14-16



8YH35
450 520 925 450 14-16



8YH36
450 510 970 470 6



8YH37 尺寸图标
560 520 930 470 14-16



8YH38 尺寸图标
560 520 930 470 14-16



8YH39 尺寸图标
560 520 930 470 14-16



8YH40 尺寸图标
560 520 920 460 14-16



8YH41 尺寸图标
445 510 920 460 15-17



8YH42 尺寸图标
445 510 920 460 15-17



8YH43 尺寸图标
445 510 920 460 15-17



8YH44 尺寸图标
445 510 920 460 15-17



8YH45 尺寸图标
450 520 920 460 14-16

摇背椅系列
FLEX BACK
CHAIR
SERIES



8YH49 450 520 920 460 13-15



8YH50 440 550 920 460 6



8YH51 540 560 960 480 6



8YH52 440 550 920 460 6



8YH53 430 540 955 460 6



8YH54 430 540 930 460 6



8YH46 450 520 940 460 13-15



8YH47 450 520 930 460 13-15



8YH48 450 520 930 460 13-15



8YH55 805 520 955 460 4



8YH56 560 520 920 460 4



8YH57 620 520 920 460 4

教堂椅系列

CHURCH CHAIR SERIES



教堂椅系列 Church chair series



8JT01 480 640 940 480 8-9



8JT02 460 640 900 470 8-9



8JT03 470 640 910 470 8-9



8JT04 470 640 910 470 8-9



8JT05 尺寸尺寸尺寸尺寸
470 540 900 470 8-9



8JT06 尺寸尺寸尺寸尺寸
470 540 900 470 8-9



8JT11 尺寸尺寸尺寸尺寸
530 520 910 480 6-7



8JT12 尺寸尺寸尺寸尺寸
470 540 900 470 8-9



8JT07 尺寸尺寸尺寸尺寸
490 520 920 460 8-9



8JT08 尺寸尺寸尺寸尺寸
460 540 915 470 8-9



8JT13 尺寸尺寸尺寸尺寸
445 510 910 460 15-17



8JT14 尺寸尺寸尺寸尺寸
385 415 930 440 4



8JT15 尺寸尺寸尺寸尺寸
630 540 900 470 8-9



8JT09 尺寸尺寸尺寸尺寸
470 540 900 470 8-9



8JT10 尺寸尺寸尺寸尺寸
460 540 890 470 8-9



8JT16 尺寸尺寸尺寸尺寸
750 850 900 460 5



8JT17 尺寸尺寸尺寸尺寸
530 960 930 470 7

仿木/包布椅系列

WOOD IMITATED CHAIR SERIES



仿木椅系列 Wood imitated chair series



8FM01  430 500 940 440 6



8FM02  430 500 930 460 6



8FM03  480 495 920 440 6



8FM04  445 510 960 460 6



8FM18
420 480 780 460 4



8FM19
450 510 1000 480 2



8FM20
480 540 1160 450 2



8FM27
460 450 940 460 6



8FM28
480 520 960 440 6



8FM29
470 460 950 480 6



8FM21
450 480 820 460 6



8FM22
460 500 800 460 2



8FM23
460 490 960 460 6



8FM30
490 455 970 470 6



8FM31
450 440 950 460 6



8FM32
510 450 940 480 6



8FM24
450 510 950 450 6



8FM25
480 470 950 450 6



8FM26
480 490 1090 470 2



8FM33
500 500 960 470 6



8FM34
580 580 730 470 2



8FM35
580 580 730 470 2

不锈钢/吧椅系列

STAINLESS STEEL TABLE AND CHAIR SERIES



88X01 470 500 940 470 2-4



88X02 490 480 940 470 2-4



88X03 510 520 1120 440 2-4



88X04 450 480 1010 470 2-4



88X05 470 520 1040 470 2-4



88X06 500 530 1150 470 2-4



88X07 480 540 1000 470 2-4



88X08 500 550 1100 470 2-4



88X09 510 530 1160 470 2-4



8BX10
510 540 1030 470 2-4



8BX11
520 510 1150 470 2-4



8BX12
510 510 1100 470 2-4



8BX22
480 520 1100 470 2-4



8BX23
460 470 980 470 2-4



8BX24
470 560 1050 470 2-4



8BX13
480 550 1090 470 2-4



8BX14
470 520 1040 470 2-4



8BX15
510 540 1060 470 2-4



8BX19
470 600 980 480 2-4



8BX20
460 470 1040 470 2-4



8BX21
490 540 1100 470 2-4



8BX16
510 520 1100 470 2-4



8BX17
500 520 1040 470 2-4



8BX18
550 600 1130 470 2-4



8BX25



8BX26



Effect Drawing 效果图1



Effect Drawing 效果图2



Effect Drawing 效果图3



Effect Drawing 效果图4



Effect Drawing 效果图5



Effect Drawing 效果图6



Effect Drawing 效果图7



Effect Drawing 效果图8



88Y01 不锈钢椅
465 430 1170 740 4-5



88Y02 不锈钢椅
460 465 1030 710 4-5



88Y03 不锈钢椅
360 475 1000 750 4-5



88Y04 不锈钢椅
420 530 1120 760 2



88Y05 不锈钢椅
420 530 1080 760 2



88Y06 不锈钢椅
410 520 1060 740 2



88Y07 不锈钢椅
360 450 640 540 2
-880 -760



88Y08 不锈钢椅



88Y09 不锈钢椅
400 500 850 - 60 2
1050 - 80

休闲椅系列

LEISURE CHAIR SERIES



户外休闲椅系列

Leisure chair series



8SL01

530(W)x500(D)x965(H)mm



8SL02

570(W)x520(D)x960(H)mm



8SL03

390(W)x390(D)x480(H)mm
420(W)x420(D)x650(H)mm
460(W)x460(D)x750(H)mm



8SL04

480(W)x550(D)x870(H)mm



8SL05

450(W)x570(D)x810(H)mm



8SL06

600(W)x595(D)x800(H)mm



8SL07

385(W)x480(D)x905(H)mm



8SL08

570(W)x540(D)x920(H)mm



8SL13

440(W)x440(D)x850(H)mm



8SL14

470(W)x440(D)x720(H)mm



8SL15

430(W)x430(D)x930(H)mm



8SL09

465(W)x520(D)x950(H)mm



8SL10

535(W)x480(D)x900(H)mm



8SL16

Height/高度:
18" : 45cm
24" : 61cm
26" : 66cm
30" : 76cm



8SL11

550(W)x555(D)x835(H)mm



8SL12

420(W)x515(D)x830(H)mm



8SL18



8SL19



8SL20



8SL21

430(W)x500(D)x900(H)mm



8SL22

420(W)x420(D)x880(H)mm



8SL23

500(W)x540(D)x900(H)mm



8SL30

450(W)x450(D)x820(H)mm



8SL31

460(W)x420(D)x810(H)mm



8SL32

390(W)x680(D)x710(H)mm



8SL24

445(W)x465(D)x895(H)mm



8SL25

400(W)x460(D)x900(H)mm



8SL26

420(W)x450(D)x900(H)mm



8SL33

385(W)x385(D)x830(H)mm



8SL34

480(W)x500(D)x830(H)mm



8SL35

590(W)x620(D)x660(H)mm



8SL27

400(W)x470(D)x840(H)mm



8SL28

405(W)x460(D)x830(H)mm



8SL29

420(W)x530(D)x1090(H)mm



8SL36

530(W)x465(D)x830(H)mm



8SL37

Chair: 610(W)x460(D)x800(H)mm

Table: Dia. 600x720(H)mm
Dia. 700x720(H)mm
Dia. 800x720(H)mm



8SL38

485(W)x430(D)x725(H)mm



8SL39

485(W)x430(D)x725(H)mm



8SL40

490(W)x460(D)x780(H)mm



8SL47

390(W)x430(D)x870(H)mm



8SL48

420(W)x500(D)x780(H)mm



8SL49

520(W)x570(D)x790(H)mm



8SL41

490(W)x460(D)x790(H)mm



8SL42

510(W)x620(D)x900(H)mm



8SL43

530(W)x480(D)x830(H)mm



8SL50

520(W)x420(D)x820(H)mm



8SL51

480(W)x485(D)x750(H)mm



8SL52

480(W)x410(D)x800(H)mm



8SL44

500(W)x450(D)x850(H)mm



8SL45

430(W)x525(D)x870(H)mm



8SL46

570(W)x550(D)x900(H)mm



8SL53

440(W)x415(D)x815(H)mm



8SL54

440(W)x490(D)x730(H)mm



8SL55

450(W)x400(D)x785(H)mm

折叠桌椅系列

FOLDING TABLE & CHAIR SERIES



折叠桌椅系列 folding table & chair series



8HW01
445(W)x520(D)x840(H)mm



8HW02
480(W)x520(D)x870(H)mm



8HW03
480(W)x530(D)x870(H)mm



8HW04
470(W)x530(D)x860(H)mm



8HW05
475(W)x520(D)x840(H)mm



8HW06
490(W)x515(D)x840(H)mm



8HW07
480(W)x530(D)x865(H)mm



8HW08
470(W)x530(D)x850(H)mm



8HW09
500(W)x580(D)x835(H)mm



8HW10
445(W)x420(D)x775(H)mm



8HW11
445(W)x440(D)x785(H)mm



8HW12
450(W)x450(D)x900(H)mm



8HW19
1220(L)x810(W)x740(H)mm



8HW20
1220(L)x810(W)x740(H)mm



8HW13
450(W)x450(D)x805(H)mm



8HW14
445(W)x450(D)x875(H)mm



8HW15
490(W)x470(D)x1130(H)mm



8HW21
1520(L)x760(W)x740(H)mm
1620(L)x710(W)x740(H)mm
1830(L)x760(W)x740(H)mm
2000(L)x900(W)x740(H)mm
2440(L)x760(W)x740(H)mm



8HW22
1520(L)x760(W)x740(H)mm
1830(L)x760(W)x740(H)mm
2440(L)x760(W)x740(H)mm



8HW16
330(W)x300(D)x450(H)mm



8HW17
470(W)x460(D)x790(H)mm



8HW18
460(W)x580(D)x875(H)mm



8HW23
1800(L)x450(W)x740(H)mm



8HW24
880(L)x880(W)x740(H)mm



8HW25

Dia. 1100x740(H)mm
Dia. 1200x740(H)mm
Dia. 1500x740(H)mm
Dia. 1600x740(H)mm
Dia. 1800x740(H)mm
Dia. 2000x740(H)mm



8HW26

Dia. 1200x740(H)mm
Dia. 1500x740(H)mm
Dia. 1800x740(H)mm



8HW31

1830(L)x250(W)x440(H)mm
1830(L)x280(W)x440(H)mm



8HW32

T:1050(L)x640(W)x730(H)mm
C:845(L)x200(W)x400(H)mm



8HW27

Dia. 600x740(H)mm
Dia. 800x740(H)mm



8HW28

760(L)x500(W)x350-715(H)mm
680(L)x500(W)x530-690(H)mm



8HW33

380(W)x460(D)x880(H)mm



8HW34

440(W)x490(D)x790(H)mm



8HW35

530(W)x390(D)x740(H)mm



8HW29

Dia. 800x1100(H)mm



8HW30

Dia. 680x1170(H)mm





Effect Drawing 效果图1



Effect Drawing 效果图2



8SF01



8SF02



8SF03



8SF04



8SF05



8SF06



8SF07



8SF08



85F09
660(W)x650(D)x1240(H)mm



85F10
680(W)x700(D)x1125(H)mm



85F11
580(W)x640(D)x1100(H)mm



85F18
750(W)x700(D)x1400(H)mm



85F19
700(W)x680(D)x1780(H)mm



85F20
720(W)x720(D)x1800(H)mm



85F12
630(W)x540(D)x1150(H)mm



85F13
650(W)x600(D)x1400(H)mm



85F14
650(W)x600(D)x1400(H)mm



85F21
820(W)x670(D)x1590(H)mm



85F22
940(W)x780(D)x1780(H)mm



85F23
1750(W)x880(D)x1820(H)mm



85F15
900(W)x700(D)x1780(H)mm



85F16
650(W)x500(D)x1220(H)mm



85F17
650(W)x660(D)x1800(H)mm



85F24
950(W)x760(D)x1700(H)mm



85F25
800(W)x800(D)x1650(H)mm



85F26
720(W)x720(D)x1650(H)mm



85F27
1200(W)x850(D)x1250(H)mm



85F28
1600(W)x850(D)x1200(H)mm



85F35
2050(W)x980(D)x1380(H)mm



85F36
2200(W)x800(D)x1050(H)mm



85F29
1750(W)x850(D)x1250(H)mm



85F30
2200(W)x850(D)x1250(H)mm



85F37
1680(W)x850(D)x1000(H)mm



85F38
2000(W)x850(D)x1000(H)mm



85F31
1700(W)x1000(D)x1260(H)mm



85F32
2300(W)x1000(D)x1260(H)mm



85F39
1900(W)x850(D)x1050(H)mm



85F40
2000(W)x830(D)x1130(H)mm



85F33
1200(W)x900(D)x1500(H)mm



85F34
1750(W)x900(D)x1500(H)mm



85F41
1700(W)x800(D)x1300(H)mm



85F42
1800(W)x780(D)x1250(H)mm



8SF43

860(W)x860(D)x560(H)mm



8SF44

1300(W)x650(D)x480(H)mm



8SF45

1100(W)x430(D)x780(H)mm



8SF46

450(W)x450(D)x450(H)mm



8SF47

1200(W)x450(D)x450(H)mm



8SF48

1200(W)x450(D)x450(H)mm



8SF49



8SF50



8SF51



8SF52



8SF53



8SF54



8ET17 310 360 555 330 10



8ET18 420 360 560 330 10



8ET01 330 380 695 360 8



8ET02 305 315 625 325 10



8ET03 505 315 625 325 10



8ET10 290 330 625 330 10



8ET11 335 315 515 330 8



8ET12 460 540 830 550 1



8ET04 370 340 640 330 4



8ET05 350 390 610 325 6



8ET06 360 390 650 360 6



8ET13



8ET14 Dia. 1100x380-610(H)mm



8ET07 560 590 760 530 1



8ET08 400 440 850 550 4-5



8ET09 430 440 850 550 4-5



8ET15 1200(L)x600(W)x480-600(H)mm



8ET16 1550(L)x850(W)x480-600(H)mm

<p>成人</p> <p>76X46X45cm</p>	<p>中学</p> <p>70X45X42cm</p>	<p>小学</p> <p>63X44X40cm</p>	<p>学前班</p> <p>56X41X35cm</p>
<p>大班</p> <p>54X36X30cm</p>	<p>中班</p> <p>52X37X28cm</p>	<p>小班</p> <p>51X35X26cm</p>	<p>托班</p> <p>43X30X24cm</p>

布草椅系列
Linen series



XINYIMEI 63

布草椅系列 Linen series



88C01



88C02

XINYIMEI 64



8BC03



8BC04



8BC05



8BC06



8BC07



8BC08



8BC09



8BC10



8BC11



8BC12



8BC13



8BC14



8BC15



8B016



88C17



88C18



88C23



88C24



88C19



88C20



88C25



88C26



88C21



88C22



88C27



88C28



8BC29



8BC30



8BC31



8BC38



8BC39



8BC40



8BC32



8BC33



8BC34



8BC41



8BC42



8BC43



8BC35



8BC36



8BC37



8BC44



8BC45



8BC46



88C47



88C48



88C49



88C50



88C51



88C52



88C53



88C54



88C55



88C56



88C57



88C58



88C59



88C60



88C61



88C62



88C63



88C64



88C65



88C66



88C67



88C68



88C69



88C70



88C71



88C72



88C73



88C74



88C75



88C76



88C79



88C80



88C81



88C82



88C77



88C78



88C83



88C84



88C85



88C86



88C87



88C88



88C89



88C90



88C91



88C92



88C93



88C94



88C95



88C96



质感光滑 垂性十足 彰显档次

THE NOBLE QUALITY ENJOY LIFE



88C97



88C98



88C99



88C100



88C101



88C102



88C103



88C104



88C105



88C106



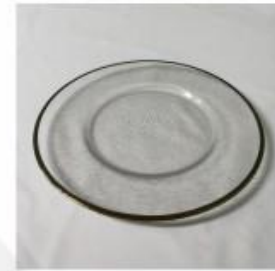
88C107



88C108



88C118



88C119



88C120



88C109



88C110



88C111



88C121



88C122



88C123



88C112



88C113



88C114



88C124



88C125



88C126



88C115



88C116



88C117



88C127



88C128



88C129

配套设备系列

ANCILLARY
BANQUET
SERIES



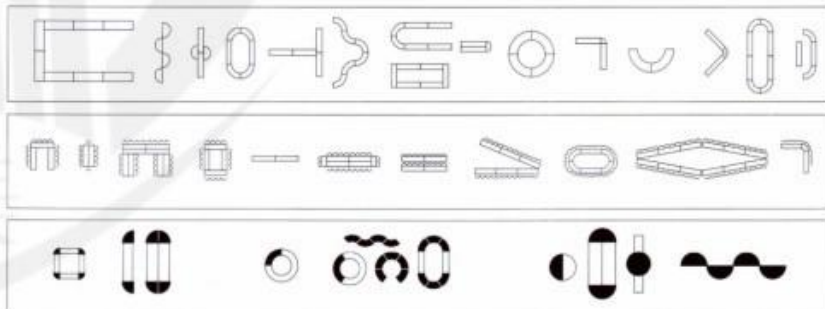
宴会餐桌系列 Banquet Table series



5CZ01 组合台
(多功能组合桌可按客户大小规格定做)



► 多功能组合摆设 (参考) The layouts for Multifunction Compound Table (FOR YOUR INFORMATION)



► 台规格及座位数 (参考) Recommended table size and Capacity

台尺寸
Table size
18'x48" 2人, Persons
18'x60" 2人, Persons
18'x72" 3人, Persons
18'x96" 4人, Persons
30'x48" 4-6人, Persons
30'x60" 6人, Persons
30'x72" 8人, Persons
30'x96" 10人, Persons

42"直径 4人, Persons
48"直径 6人, Persons
54"直径 8-8人, Persons
60"直径 8-10人, Persons
66"直径 10人, Persons
72"直径 10-12人, Persons

宴会圆台每位客人需预留21英寸空间。
圆的台尺寸计算方式如下:

直径 (英寸) x 0.516 = 座位数

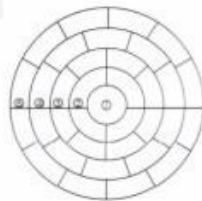
TO KNOW THE SIZE OF THE BANQUET ROUND TABLE YOU NEED, ASSUME 21" SPACE FOR EACH PERSON PLEASE USE THE FOLLOWING FORMULA FOR CALCULATION:

DIAMETER (IN) x 0.516 = SEATING CAPACITY
21"



► 图例说明/Description

①中心圆台/center 可座12人/12persons 1圆形台/1table Ø72"
②第二环/second annulus 可座24人/24persons 4圆形台/4table Ø144"
③第三环/third annulus 可座36人/36persons 8圆形台/8table Ø216"
④第四环/fourth annulus 可座48人/48persons 16圆形台/16table Ø288"
⑤第五环/fifth annulus 可座60人/60persons 12圆形台/12table Ø360"





8CZ01
φ1200x760(L)mm
φ1500x760(L)mm
φ1600x760(L)mm
φ1800x760(L)mm



8CZ02
φ2800x760(L)mm
φ3000x760(L)mm
φ3200x760(L)mm
φ3500x760(L)mm



8CZ07
760(L)x760(W)x760(H)mm
910(L)x910(W)x910(H)mm



8CZ08
760(L)x760(W)x760(H)mm
910(L)x910(W)x910(H)mm



8CZ03
1800(L)x900(W)x760(H)mm
2000(L)x900(W)x760(H)mm
2200(L)x900(W)x760(H)mm
2400(L)x900(W)x760(H)mm



8CZ04
2139(L)x760(W)x760(H)mm
2567(L)x915(W)x760(H)mm



8CZ09
1830(L)x450(W)x760(H)mm
1830(L)x600(W)x760(H)mm
1830(L)x900(W)x760(H)mm



8CZ10
1830(L)x450(W)x760(H)mm
1830(L)x600(W)x760(H)mm



8CZ05
φ1200x760(L)mm
φ1500x760(L)mm
φ1600x760(L)mm



8CZ06
φ1200/910(L)x910(W)x760(H)mm
φ1500/1150(L)x1150(W)x760(H)mm



8CZ11



8CZ12



8CZ13
φ1200x760(L)mm



8CZ14
φ1200x760(L)mm
φ1500x760(L)mm
φ1600x760(L)mm
φ1800x760(L)mm



8CZ21
1800(L)x450(W)x760(H)mm
1800(L)x600(W)x760(H)mm
1800(L)x760(W)x760(H)mm



8CZ22
1800(L)x450(W)x760(H)mm
1800(L)x600(W)x760(H)mm
1800(L)x760(W)x760(H)mm



8CZ15
φ1200x760(L)mm
φ1500x760(L)mm
φ1600x760(L)mm
φ1800x760(L)mm



8CZ16
φ1200x760(L)mm
φ1500x760(L)mm
φ1600x760(L)mm
φ1800x760(L)mm



8CZ23
1800(L)x450(W)x760(H)mm
1800(L)x600(W)x760(H)mm
1800(L)x760(W)x760(H)mm



8CZ25
2000(L)x600(W)x760(H)mm
2400(L)x1200(W)x760(H)mm



8CZ17
1800(L)x450(W)x760(H)mm
1800(L)x600(W)x760(H)mm
1800(L)x760(W)x760(H)mm



8CZ18
1800(L)x450(W)x760(H)mm
1800(L)x600(W)x760(H)mm
1800(L)x760(W)x760(H)mm



8CZ24
1800(L)x450(W)x760(H)mm
1800(L)x600(W)x760(H)mm
1800(L)x760(W)x760(H)mm



8CZ19
1800(L)x450(W)x760(H)mm
1800(L)x600(W)x760(H)mm
1800(L)x760(W)x760(H)mm



8CZ20
1800(L)x450(W)x760(H)mm
1800(L)x600(W)x760(H)mm
1800(L)x760(W)x760(H)mm



8CZ26
1200(L)x450(W)x760(H)mm
1500(L)x450(W)x760(H)mm
1800(L)x450(W)x760(H)mm



8CZ27
1200(L)x450(W)x760(H)mm
1500(L)x450(W)x760(H)mm
1800(L)x450(W)x760(H)mm



8CZ28



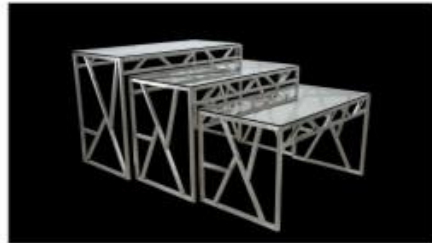
8CZ29



8CZ30



8CZ31



8CZ32



8CZ33



8CZ34

8CZ35

8CZ36



8CZ37



8CZ38



8CZ39



8CZ40



8CZ41



8CZ42



8CZ43



8CZ44



8CZ45



8CZ46



8CZ47



8CZ48



8CZ55



8CZ56



8CZ57



8CZ49



8CZ50



8CZ51



8CZ58



8CZ59



8CZ60



8CZ52



8CZ53



8CZ54





8CZ61



8CZ62



8CZ63



8CZ64



8CZ77



8CZ78



8CZ79



8CZ80



8CZ65



8CZ66



8CZ67



8CZ68



8CZ81



8CZ82



8CZ83



8CZ84



8CZ69



8CZ70



8CZ71



8CZ72



8CZ73



8CZ74



8CZ75



8CZ76





8PT01 活动舞台
Mobile Stage

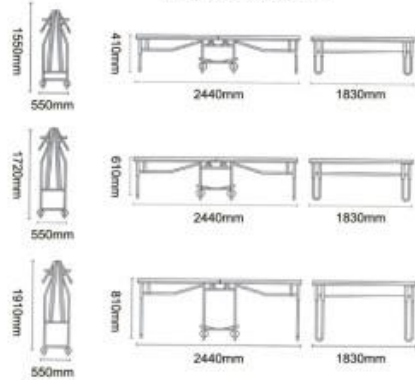
Size : 1220Wx2440Lmm 1830Wx2440Lmm
Height: 410/610mm 610/810mm



8PT02 舞池板舞台
Mobile Stage



8PT03 舞台斜坡 Ramp



8PT04
二级梯 Two Step
980Wx660Dx500Hm



8PT05
二级梯 Two Step
980Wx660Dx500Hm



8PT06
三级梯 Three Step
980Wx910Dx720Hm



8PT07
扶手梯 Four Step
1075Wx1230Dx1720Hm



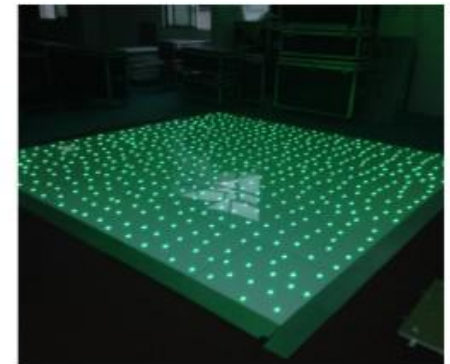
8PT08 舞池板
910Lx910Wmm



8PT09 舞池板封边
900Lx100Wmm
1010Lx100Wmm



8PT10 舞池板
910Lx910Wmm



8PT11 LED舞池板
500Lx500Wmm
600Lx600Wmm
600Lx1200Wmm



舞台裙



8PT12



8PT13



8PT14



8PT15



8PT16



8PT17



8PT18

519(W)x426(D)x1005-1200(H)mm



8PT19

600(W)x513(D)x1100-1260(H)mm



8PT20

550(W)x495(D)x1195(H)mm



8PT21

700(W)x450(D)x1200(H)mm



8PT22

470(W)x470(D)x1100(H)mm



8PT23

470(W)x470(D)x1160(H)mm



8PT24

600(W)x505(D)x1190(H)mm



8PT25

800(W)x500(D)x1205(H)mm



8PT26

600(W)x450(D)x1130(H)mm



8PT27
620(L)x600(W)x1250(H)mm



8PT28
1130(L)x460(W)x1430(H)mm



8PT29
1880(L)x770(W)x980(H)mm



8PT36
850(L)x450(W)x1100(H)mm



8PT37
945(L)x505(W)x1110(H)mm



8PT38
770(L)x470(W)x800(H)mm



8PT30
1300(L)x750(W)x1050(H)mm



8PT31
1850(L)x900(W)x1130(H)mm



8PT32
1850(L)x900(W)x1200(H)mm



8PT39
1400(L)x550(W)x935(H)mm



8PT40
ø 400(L)x740(H)mm



8PT41
ø 1090x910(W)x750(H)mm



8PT33
1870(L)x920(W)x1130(H)mm



8PT34
1050(L)x610(W)x900(H)mm



8PT35
1050(L)x610(W)x1860(H)mm



8PT42
1100(L)x650(W)x950(H)mm



8PT43
1400(L)x460(W)x1100(H)mm



8PT44
1350(L)x750(W)x1730(H)mm



8PT45
700(L)x500(W)x1440(H)



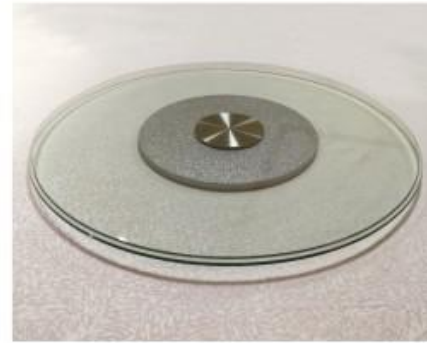
8PT46
654(L)x600(W)x1600(H)



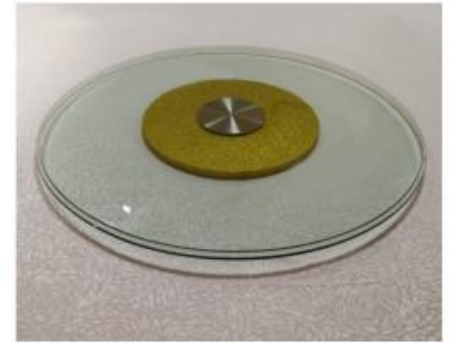
8PT47
545(L)x350(W)x1420(H)



8PT48
810(L)x600(W)x1217(H)



8PT57



8PT58



8PT49
890(L)x750(W)x1340(H)



8PT50
1050(L)x700(W)x1450(H)



8PT51
800(L)x700(W)x1300(H)



8PT52
850(L)x600(W)x1540(H)



8PT59 简易电动转盘



8PT60 支架式电动转盘



8PT53
φ95x150(H)
φ95x380(H)



8PT54
430(L)x340(W)x1390(H)



8PT55
550(L)x250(W)x1200(H)



8PT56
280(L)x230(W)x595(H)



8PT61
810(L)x450(W)x520(H)



8PT62
500(L)x400(W)x500(H)



8PT63
500(L)x400(W)x800(H)



8PT64
700(L)x550(W)x700(H)



8PT65
φ 330x1000(H)mm



8PT66
φ 350x950(H)mm



8PT67
φ 330x910(H)mm



8PT74



8PT75



8PT76



8PT77



8PT68
φ 320x910(H)mm



8PT69
1500(L)mm



8PT70
1500(L)mm



8PT78



8PT79



8PT80



8PT81



8PT82



8PT83



8PT71
560(L)x500(W)x900(H)



8PT72
490(L)x290(W)x760(H)



8PT73
635(L)x380(W)x920(H)



8PT84



8PT85



8PT86



8PT86
310(L)x300(W)x700(H)



8PT87
φ300x650(H)mm



8PT88
300(L)x300(W)x770(H)



8PT89
300(L)x300(W)x630(H)



8PT90
φ320x680(H)mm



8PT91
310(L)x260(W)x685(H)



8PT92
280(L)x220(W)x770(H)



8PT93
240(L)x240(W)x620(H)



8PT94



8PT95



8PT96



8PT97



佛山市欣一美酒店用品有限公司 FOSHAN XINYIMEI HOTEL PRODUCT CO.,LTD

秉承“客户满意和信任是我们永久的追求”的宗旨，凭借优质的产品和贴心的服务，欣一美已赢得了多方客户的支持和信赖。让我们共同携手迎接全球经济一体化的到来，共同进步，谋求全球的更高层次发展，共铸辉煌。近年来欣一美供应国内外的知名品牌酒店集团部分如下：

国内合作伙伴 Partners domestic

遵义华南大酒店
遵义新城大酒店
肇庆星湖大酒店
无锡万豪大酒店
顺德华美达酒店

盘州国际花园酒店
千灯华美达广场酒店
高明温德姆至尊酒店
河源龙源温泉大酒店
珠海华发喜来登酒店

拉萨松赞曲吉林卡酒店
香格里拉松赞林卡酒店
惠州中海汤泉度假酒店
辽宁本溪银亿国际酒店
大连金沙湾希尔顿酒店

国外合作伙伴 Partners International

Calcutta hotel india
Sofitel Mumbai BKC
Mumbai Hilton hotel
Crowne Plaza london
Naman Retreat Vietnam
InterContinental Hotels
Hualuxe hotels and resorts
Palm Beach Hotel Australia

Crowne Plaza Times Square
Sheraton Hotel Saudi Arabia
Radisson Hotel Puerto Varas
Great Southern Hotel Sydney
Marriott hotel santiago Chile
Marriott hotel Valdivia Chile
Marriott hotel Central Mexico
Sheraton Riyadh Hotel & Towers in Saudi Arabia

Marriott hotel New delhi india
Marriott New York Manhattan
Mandarina Colombo Sri Lanka
New World Petaling Jaya Malaysia
Novotel Danang Premier Han River
Mandarin Oriental, Kuala Lumpur Malaysia
InterContinental Danang Sun Peninsula Resort

