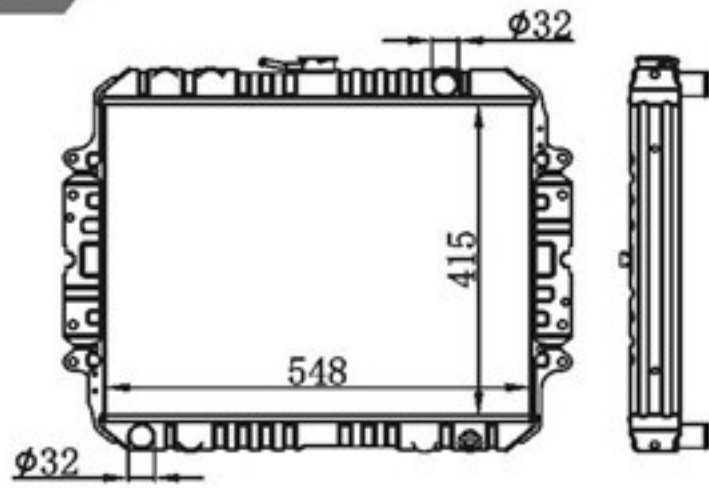


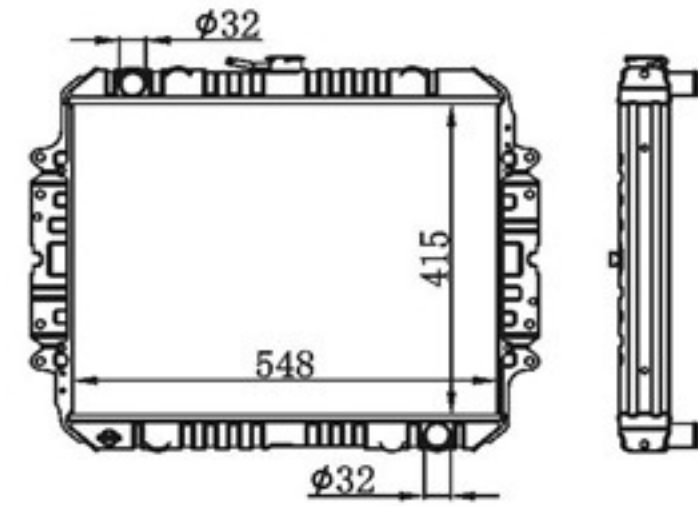
BY-35001



MODELS : ISUZU TFR (GAS) MT
CORE SIZE : 415×548
TANK SIZE : 65/65×557
CARTON: 690*120*630

B C : 32/38/48
DPI :
OEM :
NISSENS:

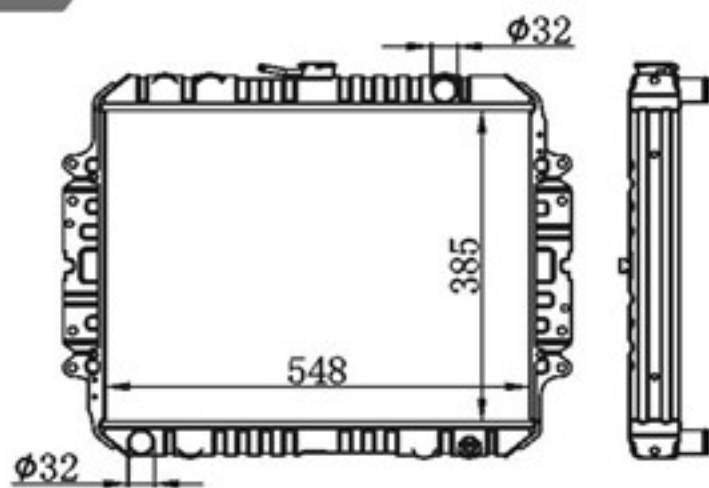
BY-35002



MODELS : ISUZU TFR (DIESEL) MT
CORE SIZE : 415×548
TANK SIZE : 65/65×557
CARTON: 690*120*630

B C : 32/38/48
DPI :
OEM :
NISSENS:

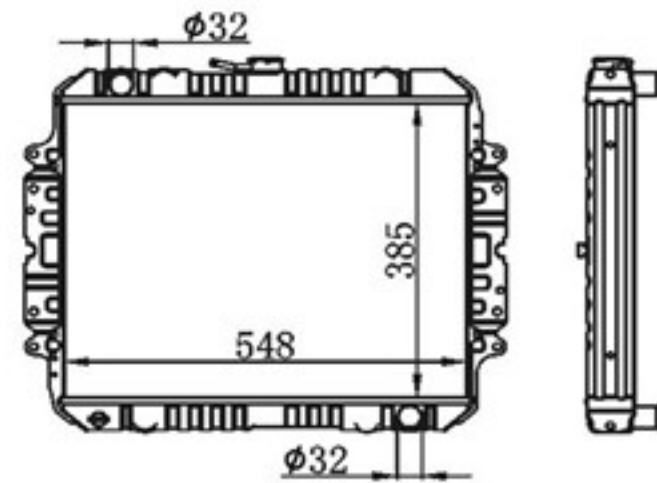
BY-35003



MODELS : ISUZU TFR (GAS) MT
CORE SIZE : 385×548
TANK SIZE : 65/65×557
CARTON: 690*120*600

B C : 32/38/48
DPI :
OEM :
NISSENS:

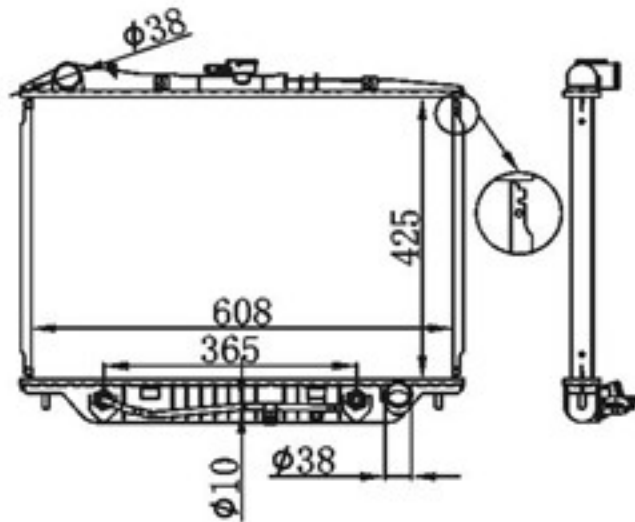
BY-35004



MODELS : ISUZU TFR (DIESEL) MT
CORE SIZE : 385×548
TANK SIZE : 65/65×557
CARTON: 690*120*600

B C : 32/38/48
DPI :
OEM :
NISSENS:

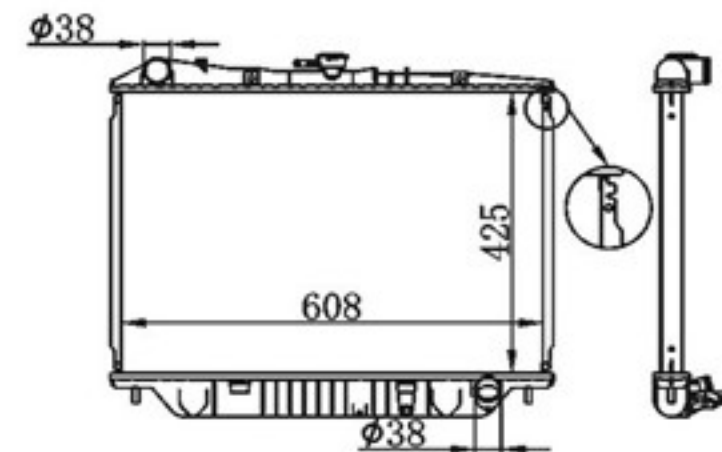
BY-35005



MODELS : VEHICROSS TROOPER V6 3.5L 99-01 AT
CORE SIZE : 425×608
TANK SIZE : 49/49×636
CARTON: 700*140*610

P A : 16/26/32
DPI : 1571-PA32
OEM : 8970849230
NISSENS:

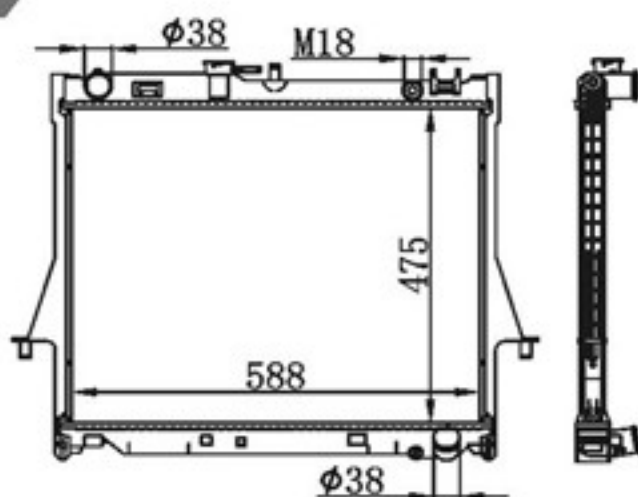
BY-35006



MODELS : VEHICROSS TROOPER V6 3.5L 99-01 MT
CORE SIZE : 425×608
TANK SIZE : 49/49×636
CARTON: 700*140*610

P A : 16/26/32
DPI :
OEM :
NISSENS:

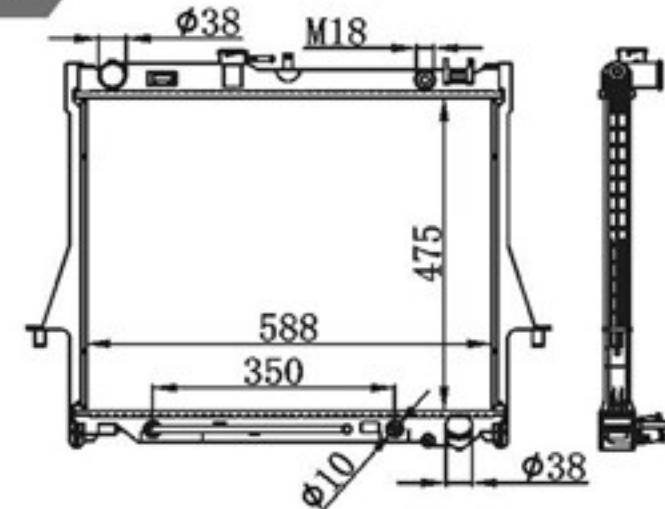
BY-35007



MODELS : PICKUP 06- MT
CORE SIZE : 475×588
TANK SIZE : 47/47×613
CARTON: 785*125*660

P A : 16/26
DPI :
OEM :
NISSENS:

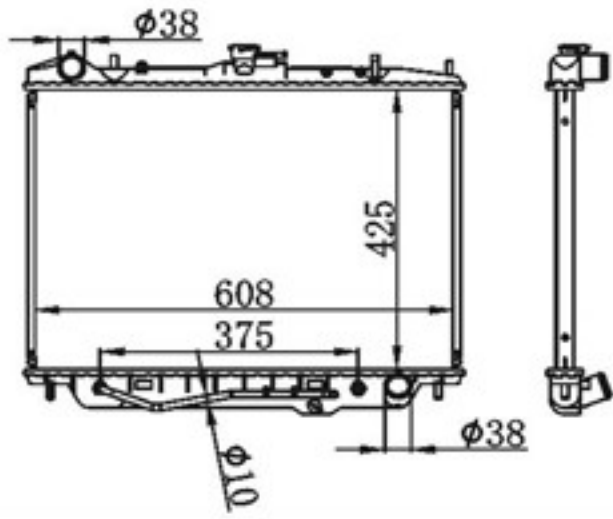
BY-335008



MODELS : PICKUP 06- AT
CORE SIZE : 475×588
TANK SIZE : 47/47×613
CARTON: 785*125*660

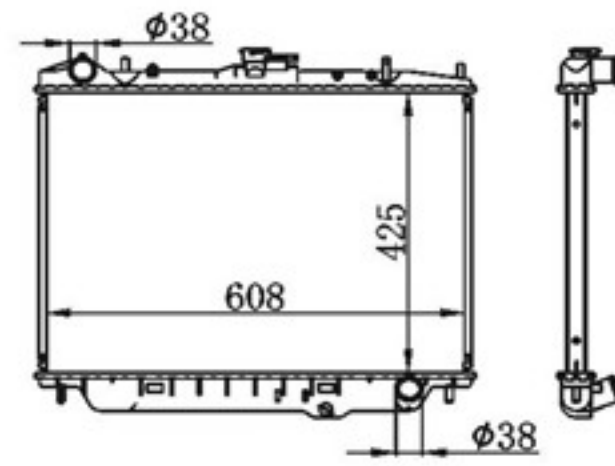
P A : 16/26
DPI :
OEM : 8973333532
NISSENS: 60854

BY-35009



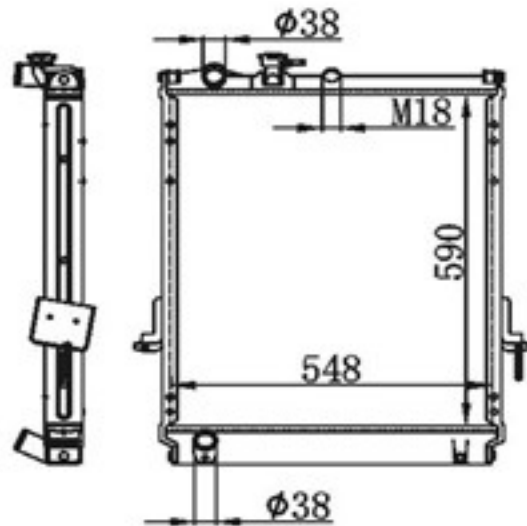
MODELS : AMIGO/RODEO 3.1 99- AT P A : 16/26/32
 CORE SIZE : 425×608 DPI : 2621/2195-PA26
 TANK SIZE : 49/49×636 OEM : 8 52478 811 0
 CARTON: 695*120*625 NISSENS:

BY-35010



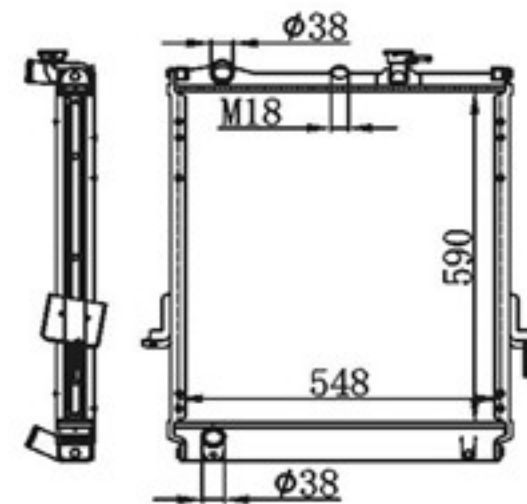
MODELS : AMIGO/RODEO 3.1 99- MT P A : 16/26/32
 CORE SIZE : 425×608 DPI :
 TANK SIZE : 49/49×636 OEM :
 CARTON: 695*120*625 NISSENS:

BY-35011



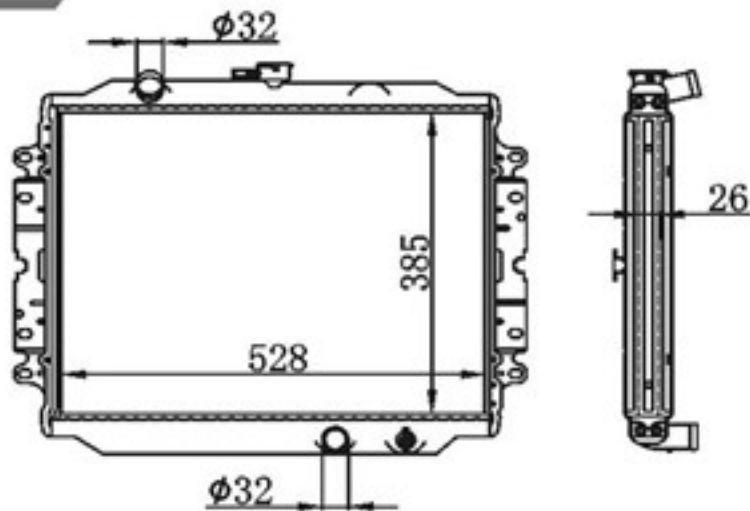
MODELS : ISUZU NPR 4.8 MT P A : 36/40
 CORE SIZE : 590×548 DPI :
 TANK SIZE : 57/57×569 OEM :
 CARTON: 750*150*785 NISSENS:

BY-35012



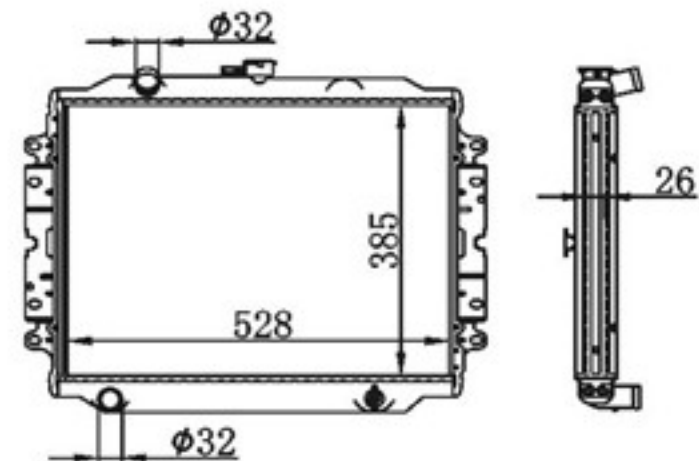
MODELS : NPR MT P A : 36/40
 CORE SIZE : 590×548 DPI :
 TANK SIZE : 57/57×569 OEM :
 CARTON: 750*150*790 NISSENS:

BY-35013



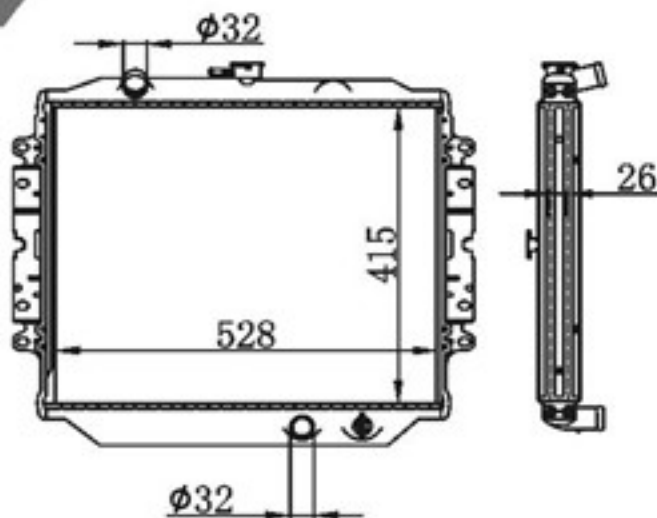
MODELS : ISUZU TFR (GAS) MT P A : 26
 CORE SIZE : 385×528 DPI :
 TANK SIZE : 48/48×556 OEM :
 CARTON: 690*120*560 NISSENS:

BY-35014



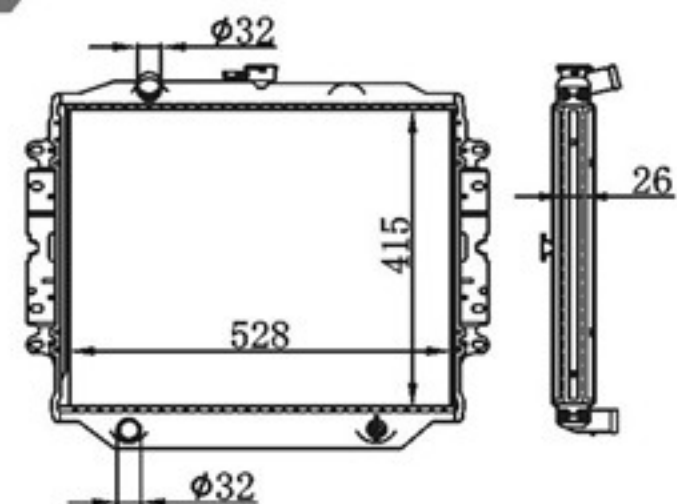
MODELS : ISUZU TFR (GAS) MT P A : 26
 CORE SIZE : 385×528 DPI :
 TANK SIZE : 48/48×556 OEM :
 CARTON: 690*120*560 NISSENS:

BY-35015



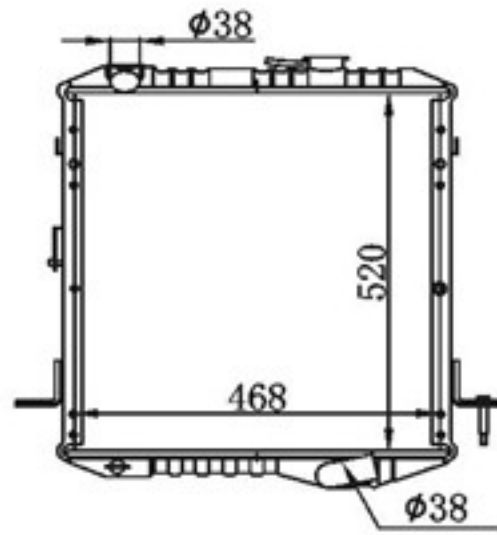
MODELS : ISUZU TFR (GAS) MT P A : 26
 CORE SIZE : 415×528 DPI :
 TANK SIZE : 48/48×556 OEM :
 CARTON: 690*120*590 NISSENS:

BY-35016



MODELS : ISUZU TFR (GAS) MT P A : 26
 CORE SIZE : 415×528 DPI :
 TANK SIZE : 48/48×556 OEM :
 CARTON: 690*120*590 NISSENS:

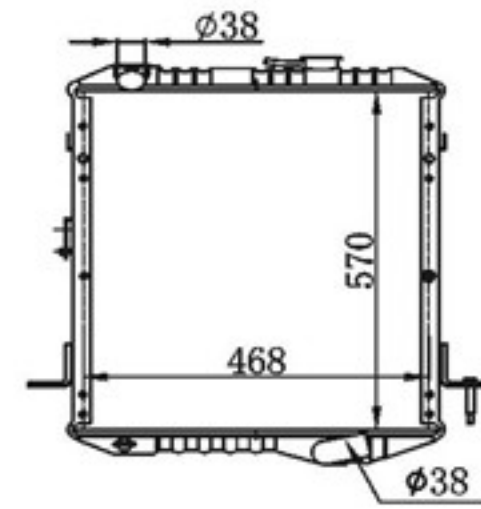
BY-35017



MODELS : ISUZU IMPULSE MT
CORE SIZE : 520×468
TANK SIZE : 74/74×488
CARTON:

B C : 26/32
DPI :
OEM :
NISSENS:

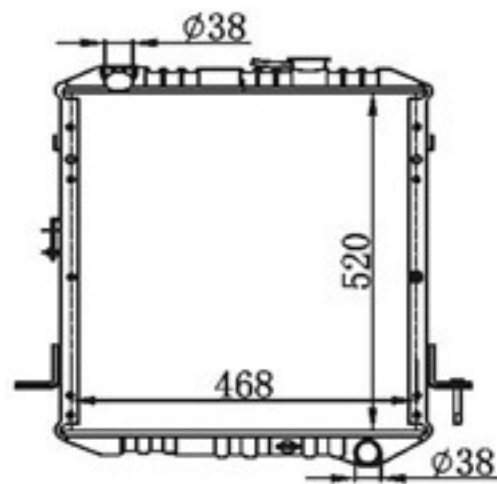
BY-35018



MODELS : ISUZU IMPULSE MT
CORE SIZE : 570×468
TANK SIZE : 74/74×488
CARTON:

B C : 26/32
DPI :
OEM :
NISSENS:

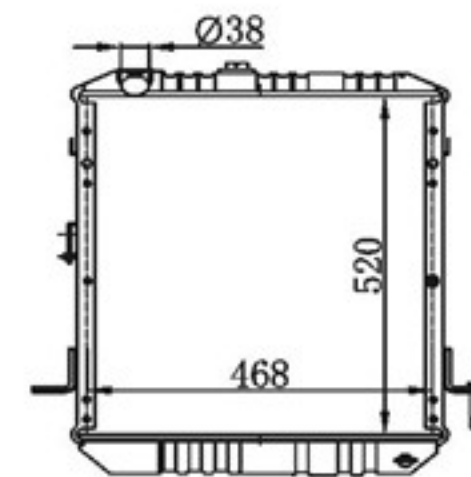
BY-35019



MODELS : ISUZU IMPULSE MT
CORE SIZE : 520×468
TANK SIZE : 74/74×488
CARTON:

B C : 26/32
DPI :
OEM :
NISSENS:

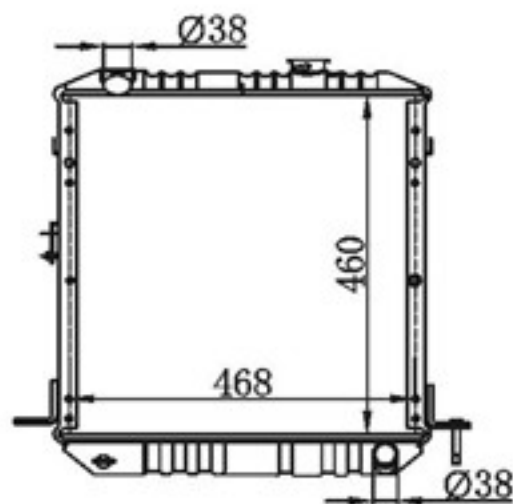
BY-35020



MODELS : ISUZU IMPULSE MT
CORE SIZE : 520×468
TANK SIZE : 74/74×488
CARTON:

B C : 26/32
DPI :
OEM :
NISSENS:

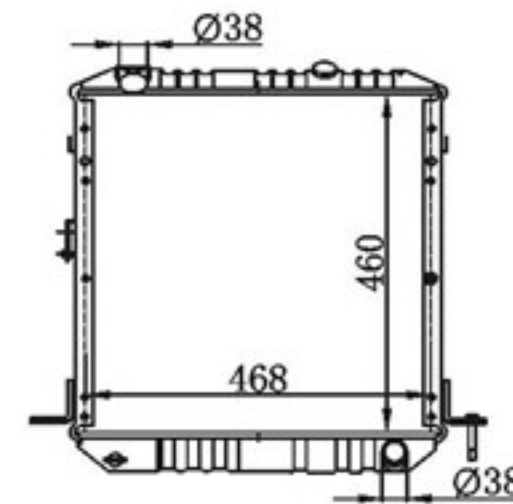
BY-35021



MODELS : ISUZU IMPULSE MT
CORE SIZE : 460×468
TANK SIZE : 74/74×488
CARTON:

B C : 26/32
DPI :
OEM :
NISSENS:

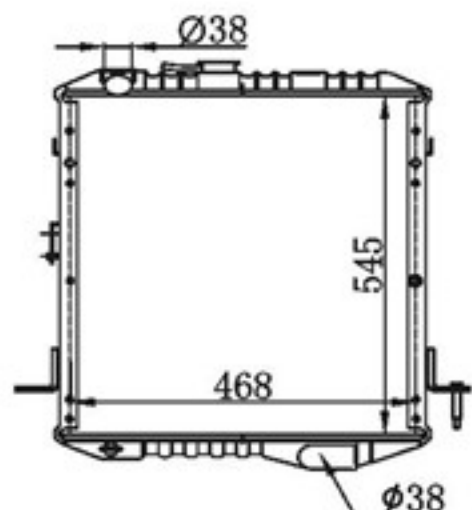
BY-35022



MODELS : ISUZU IMPULSE MT
CORE SIZE : 460×468
TANK SIZE : 74/74×488
CARTON:

B C : 26/32
DPI :
OEM :
NISSENS:

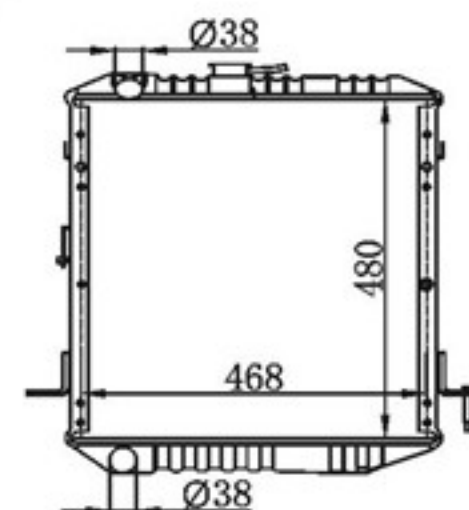
BY-35023



MODELS : ISUZU IMPULSE MT
CORE SIZE : 545×468
TANK SIZE : 74/74×488
CARTON:

B C : 26/32
DPI :
OEM :
NISSENS:

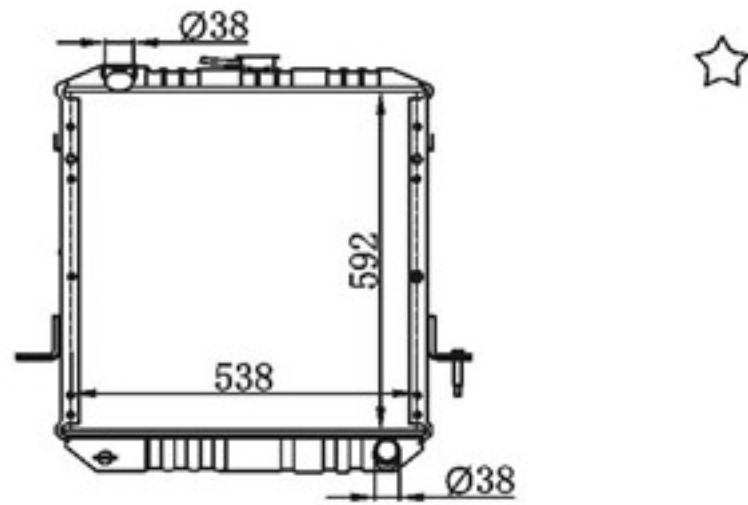
BY-35024



MODELS : ISUZU IMPULSE MT
CORE SIZE : 480×468
TANK SIZE : 74/74×488
CARTON:

B C : 26/32
DPI :
OEM :
NISSENS:

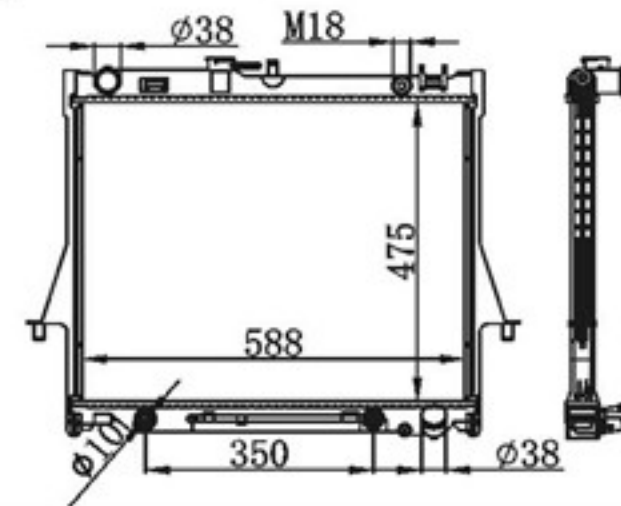
BY-35025



MODELS : ISUZU IMPULSE MT
CORE SIZE : 592×538
TANK SIZE :
CARTON:

BC : 26/32
DPI :
OEM :
NISSENS:

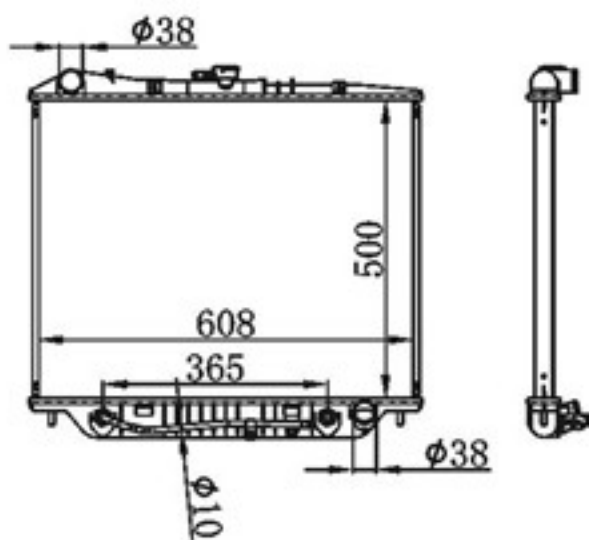
BY-35026



MODELS : ISUZU PICKUP 06- AT
CORE SIZE : 475×588
TANK SIZE : 47/47×613
CARTON: 785*125*660

PA : 16/26
DPI :
OEM :
NISSENS:

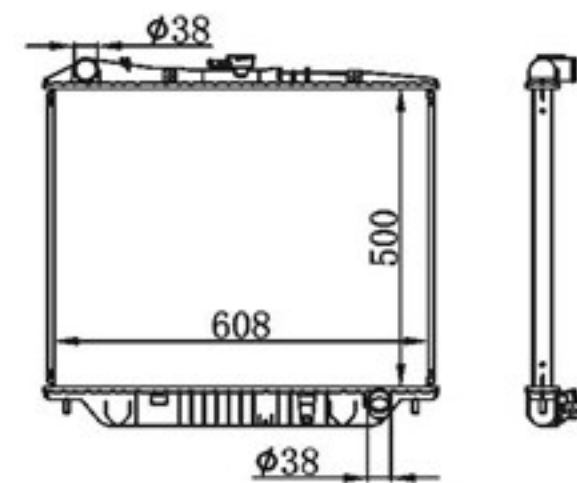
BY-35027



MODELS : TROOPER 92-97 AT
CORE SIZE : 500×608
TANK SIZE : 49/49×636
CARTON: 700*140*690

PA : 16/26/32
DPI : 1571-PA32
OEM : 8970849230
NISSENS:

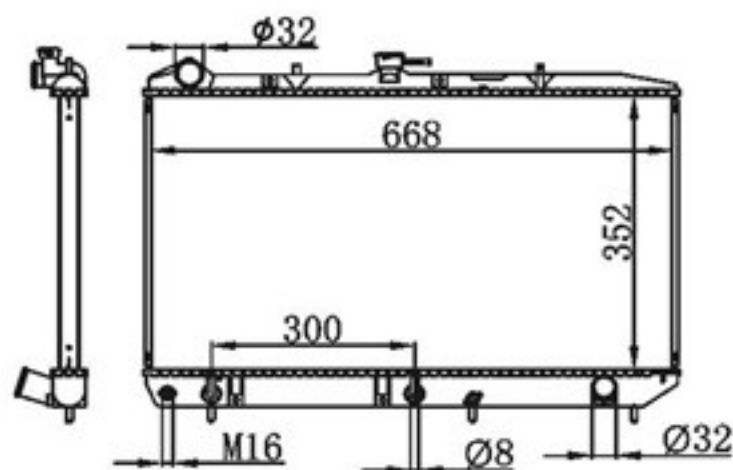
BY-35028



MODELS : TROOPER 92-97 MT
CORE SIZE : 500×608
TANK SIZE : 49/49×636
CARTON: 700*140*690

PA : 16/26/32
DPI :
OEM :
NISSENS:

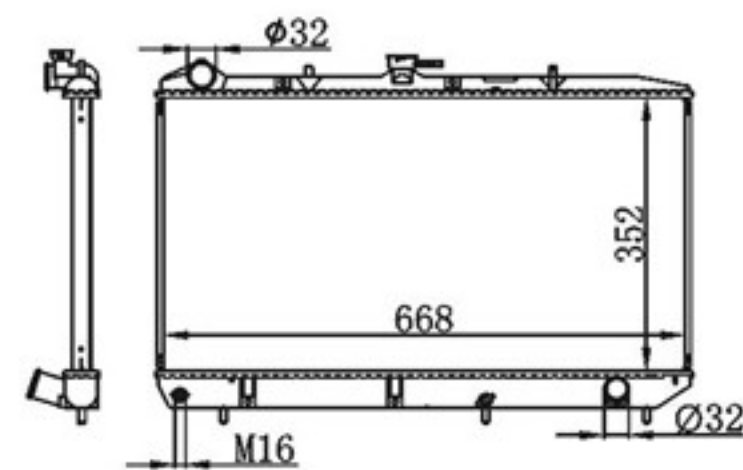
BY-35029



MODELS : ISUZU IMPULSE AT
CORE SIZE : 352×668
TANK SIZE : 50/50×686
CARTON: 730*120*560

PA : 16/26/32
DPI : 1117-PA26
OEM : 94363091
NISSENS:

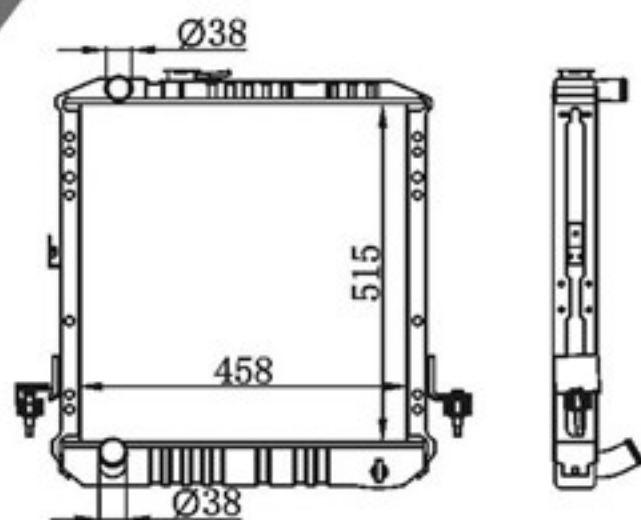
BY-35030



MODELS : ISUZU IMPULSE MT
CORE SIZE : 352×668
TANK SIZE : 50/50×686
CARTON: 730*120*560

PA : 16/26/32
DPI :
OEM :
NISSENS:

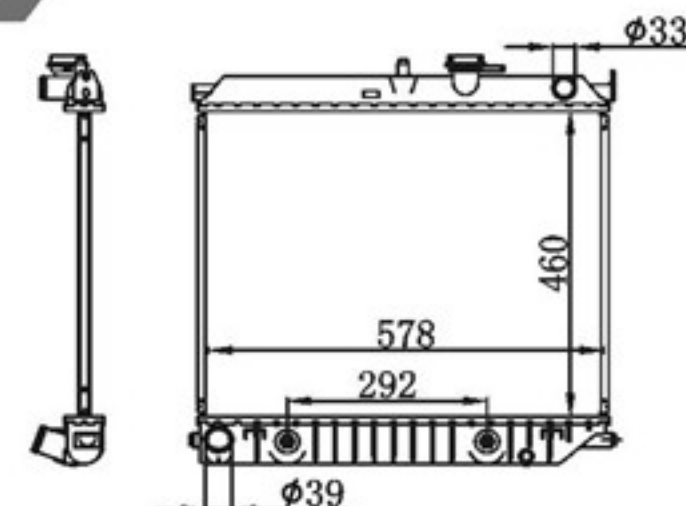
BY-35031



MODELS : ISUZU HICOM MT
CORE SIZE : 515×458
TANK SIZE : 65/65×490
CARTON: 650*160*700

BC : 32/38/48
DPI :
OEM :
NISSENS:

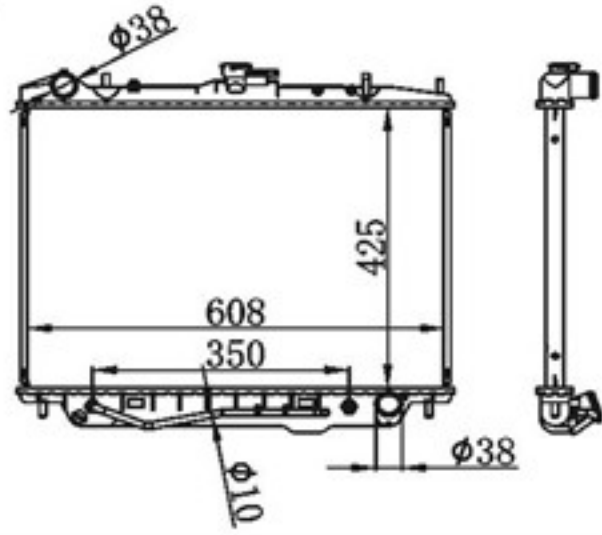
BY-35032



MODELS : I-290S L4 2.9L 06-08 AT
CORE SIZE : 460×578
TANK SIZE : 55.5/55.5×599.5
CARTON:

PA : 16/32
DPI : 2707
OEM : 1520862
NISSENS:

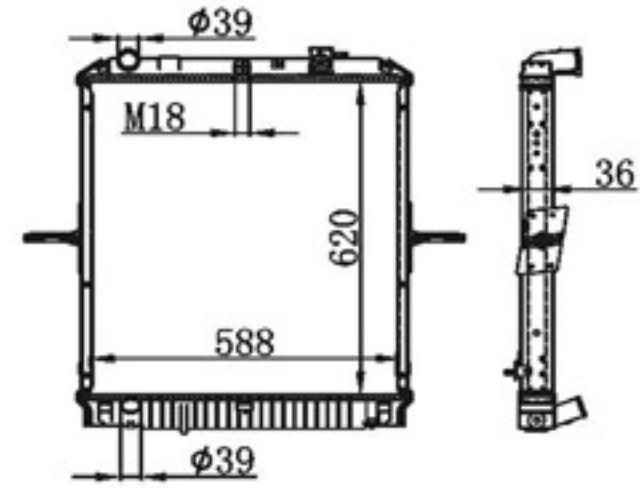
BY-35033



MODELS : AMIGO/RODEO 3.2 98-04 AT
 CORE SIZE : 425×608
 TANK SIZE : 49/49×636
 CARTON: 695*120*625

P A : 16/26/32
 DPI : 2195-PA26
 OEM : 8972095530
 NISSENS:

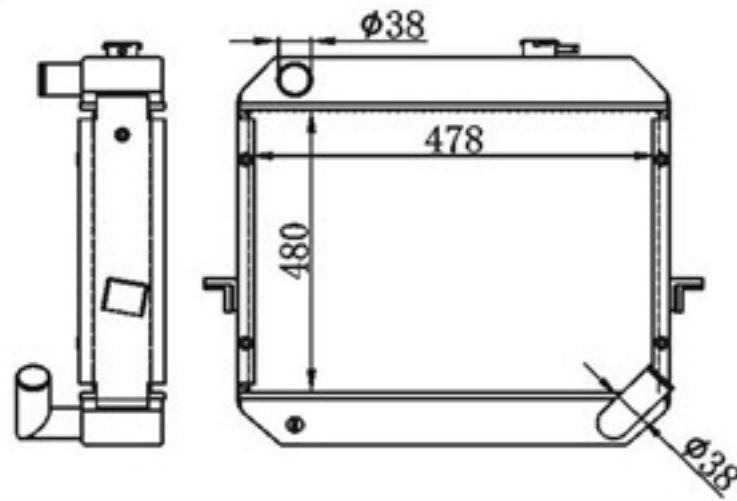
BY-35034



MODELS : NQR MT
 CORE SIZE : 620×588
 TANK SIZE : 60/60×613
 CARTON: 820*160*690

P A : 36
 DPI :
 OEM :
 NISSENS:

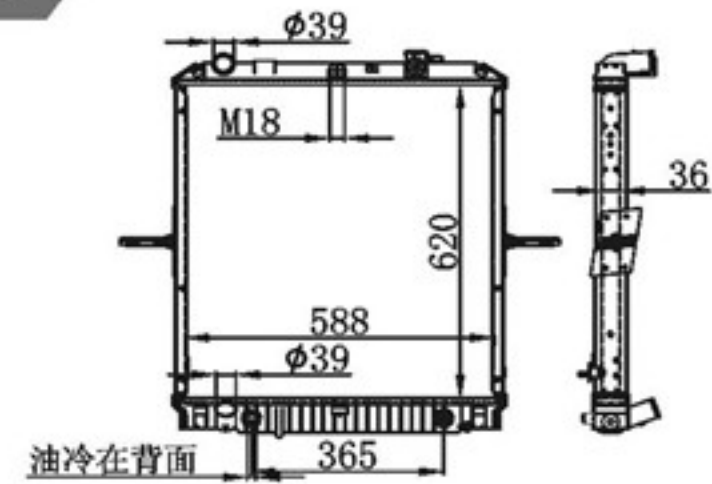
BY-35035



MODELS : UNIVERSAL MT
 CORE SIZE : 480×478
 TANK SIZE : 94.5/94.5×500
 CARTON:

B C : 68/77
 DPI :
 OEM :
 NISSENS:

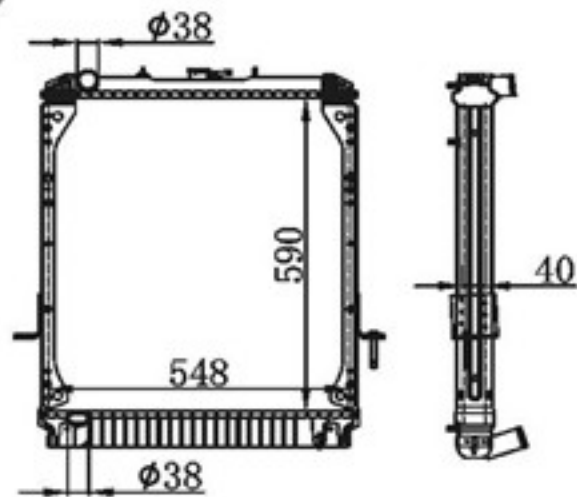
BY-35036



MODELS : NQR AT
 CORE SIZE : 620×588
 TANK SIZE : 60/60×613
 CARTON: 820*160*690

P A : 36
 DPI :
 OEM :
 NISSENS:

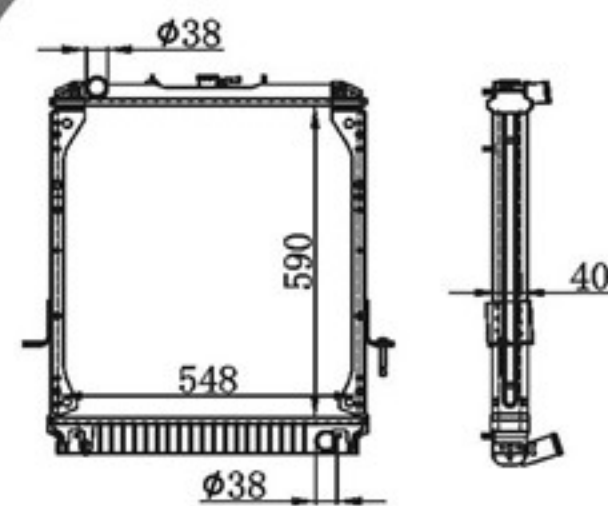
BY-35037



MODELS : ISUZU N-SEREIS 98- MT
 CORE SIZE : 590×548
 TANK SIZE : 62/62×570
 CARTON:

P A : 40
 DPI :
 OEM : 8. 97177. 373. 1
 NISSENS:

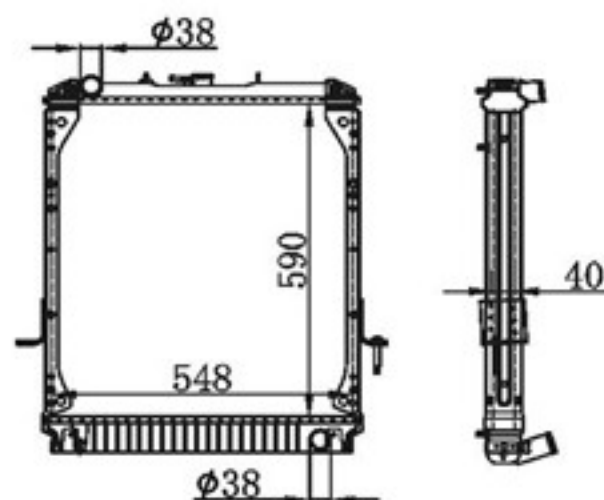
BY-35038



MODELS : ISUZU N-SEREIS 97-02 MT
 CORE SIZE : 590×548
 TANK SIZE : 62/62×570
 CARTON:

P A : 40
 DPI :
 OEM : 8. 97179. 328. 2
 NISSENS:

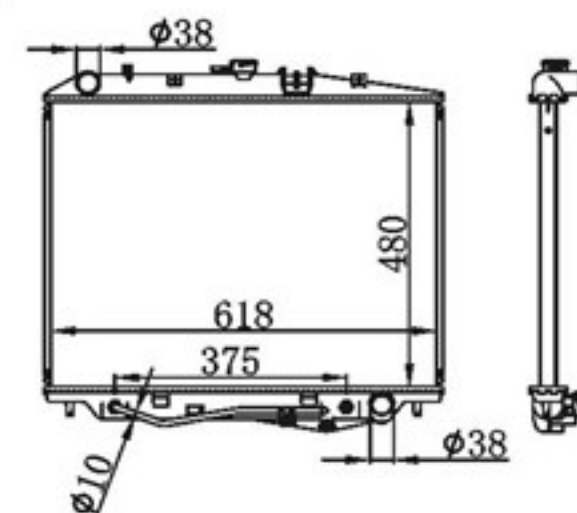
BY-35039



MODELS : ISUZU N-SEREIS 97-02 MT
 CORE SIZE : 590×548
 TANK SIZE : 62/62×570
 CARTON:

P A : 40
 DPI :
 OEM : 8. 97128. 887. 2
 NISSENS:

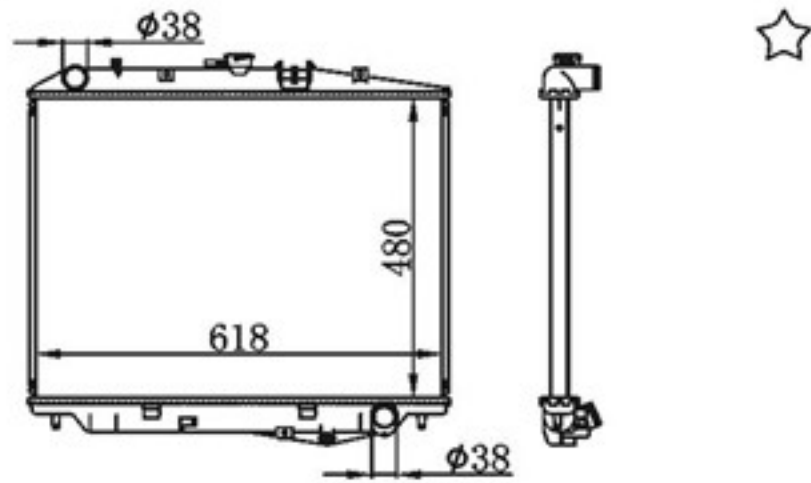
BY-35040



MODELS : TRIOPER 3.5L V6 98-02 AT
 CORE SIZE : 480×618
 TANK SIZE : 57/57×645.5
 CARTON:

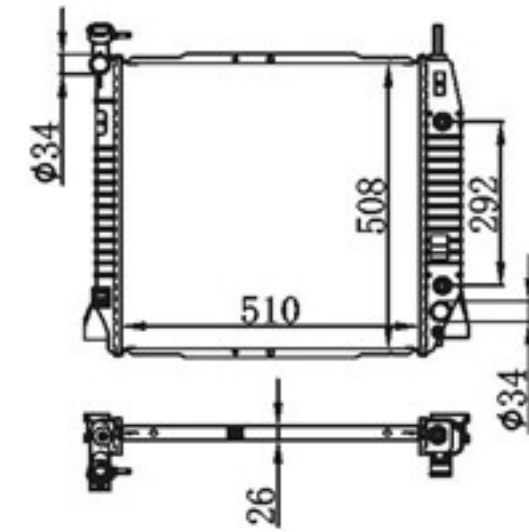
P A : 26/32
 DPI : 2221-PA32
 OEM : 8943752755
 NISSENS:60852

BY-35041



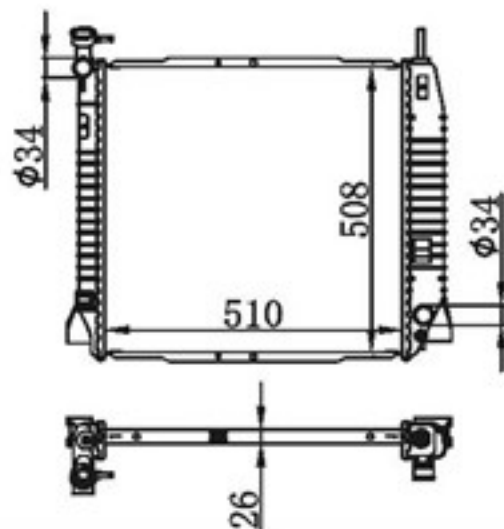
MODELS : TRIOOPER 3.5L V6 98-02 MT P A : 26/32
 CORE SIZE : 480×618 DPI :
 TANK SIZE : 57/57×645.5 OEM :
 CARTON: NISSENS:

BY-35042



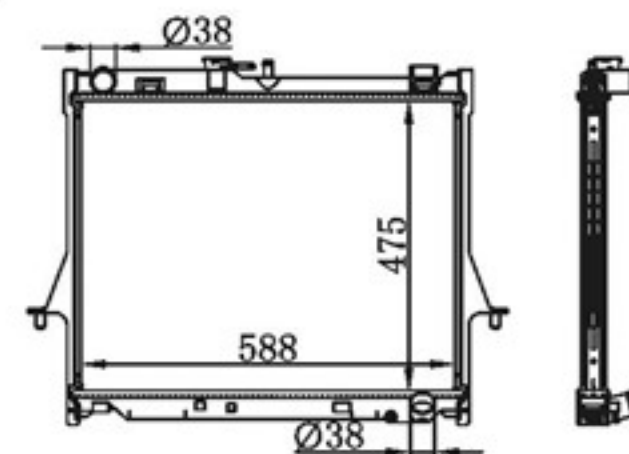
MODELS : RODEO 3.61TR 06-08 AT P A : 26
 CORE SIZE : 510×508 DPI :
 TANK SIZE : 63/63×526 OEM :
 CARTON: NISSENS:

BY-35043



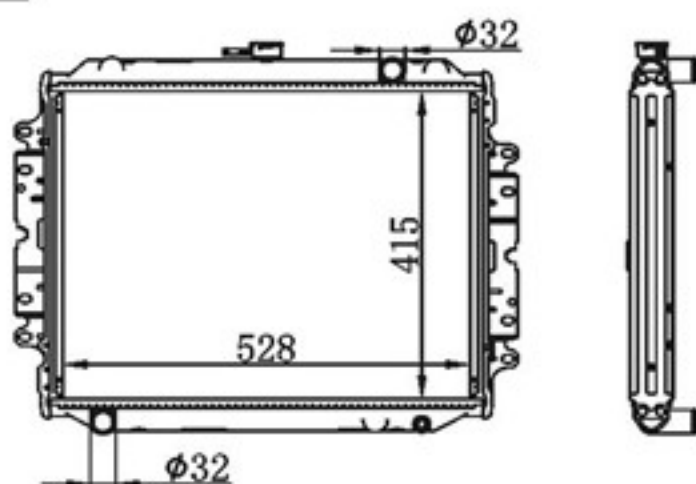
MODELS : RODEO 3.61TR 06-08 MT P A : 26
 CORE SIZE : 510×508 DPI :
 TANK SIZE : 63/63×526 OEM :
 CARTON: NISSENS:

BY-35044



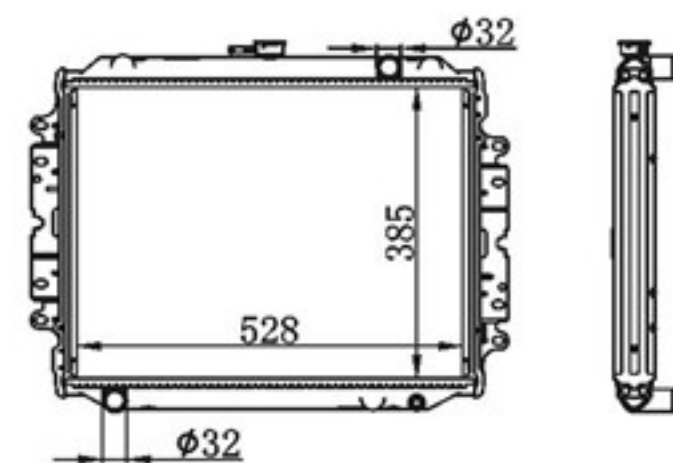
MODELS : PICKUP 06- MT P A : 16/26
 CORE SIZE : 475×588 DPI :
 TANK SIZE : 47/47×613 OEM : 8973333512
 CARTON: 785*125*660 NISSENS:

BY-35045



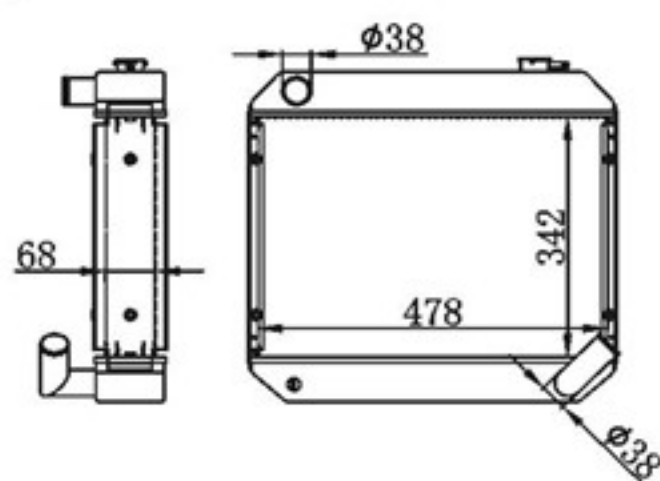
MODELS : TFR (GAS) MT P A : 26
 CORE SIZE : 415×528 DPI :
 TANK SIZE : 48/48×559 OEM :
 CARTON: 710*140*590 NISSENS:

BY-35046



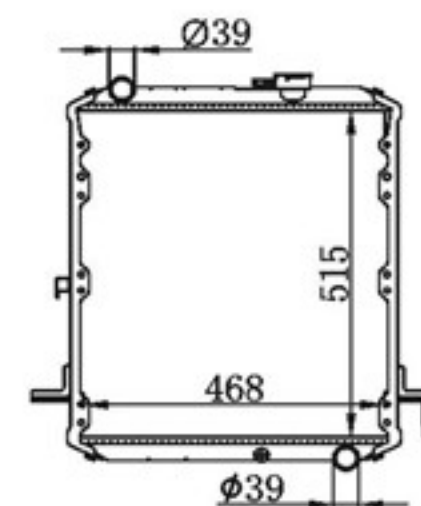
MODELS : PETUOL 89-93 MT P A : 26
 CORE SIZE : 385×528 DPI :
 TANK SIZE : 48/48×559 OEM :
 CARTON: 710*140*560 NISSENS:

BY-35047



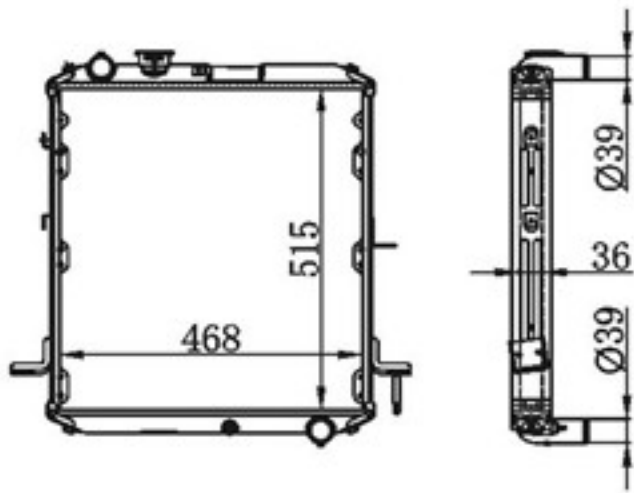
MODELS : MT A L : 68
 CORE SIZE : 342×478 DPI :
 TANK SIZE : 90/90×504 OEM :
 CARTON: 570*200*530 NISSENS:

BY-35048



MODELS : 江淮 MT P A : 36
 CORE SIZE : 515×468 DPI :
 TANK SIZE : 53.5/53.5×491.5 OEM :
 CARTON: NISSENS:

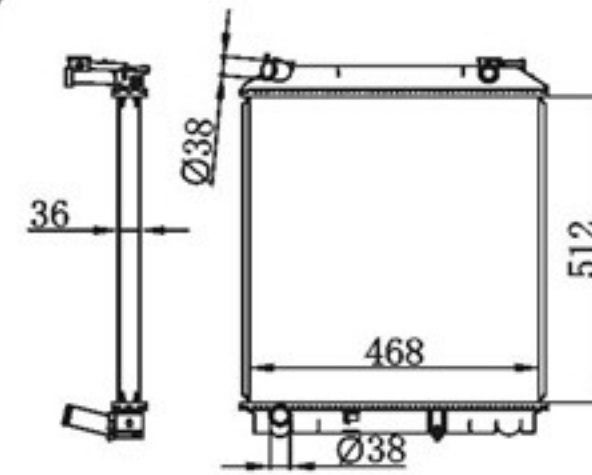
BY-35049



MODELS : 江淮 MT
CORE SIZE : 515×468
TANK SIZE : 53.5/53.5×491.5
CARTON: 680*150*670

P A : 36
DPI :
OEM :
NISSENS:

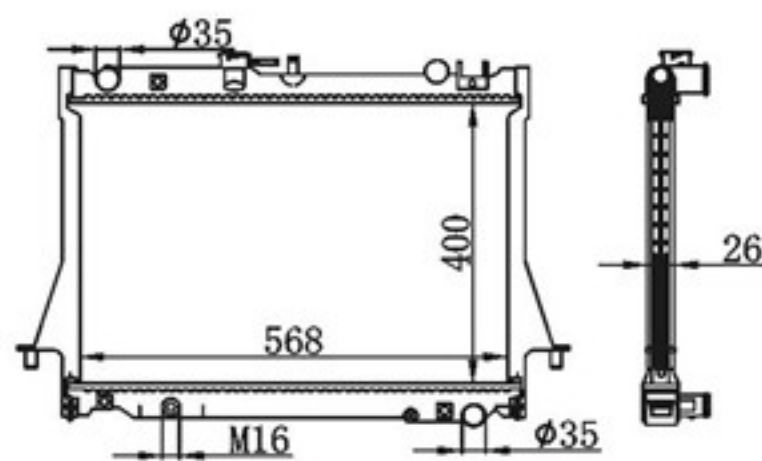
BY-35050



MODELS : ELF 00- MT
CORE SIZE : 512×468
TANK SIZE : 51.7/51.7×493.5
CARTON: 540*180*680

P A : 36
DPI :
OEM :
NISSENS:

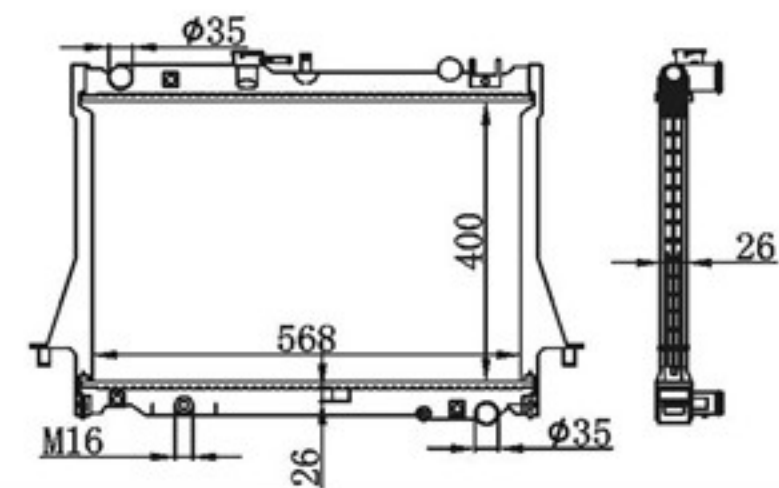
BY-35051



MODELS : 中兴皮卡(江淮瑞铃) MT
CORE SIZE : 400×568
TANK SIZE : 58/58×590
CARTON:

P A : 26
DPI :
OEM :
NISSENS:

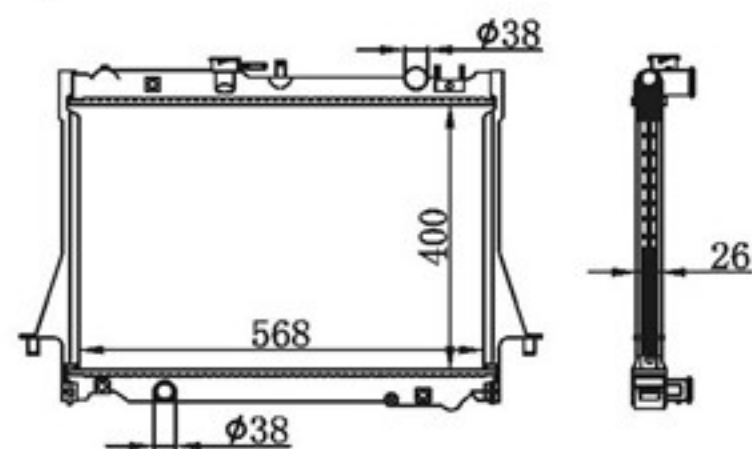
BY-35052



MODELS : 中兴皮卡(江淮瑞铃) MT
CORE SIZE : 400×568
TANK SIZE : 58/58×590
CARTON:

P A : 26
DPI :
OEM :
NISSENS:

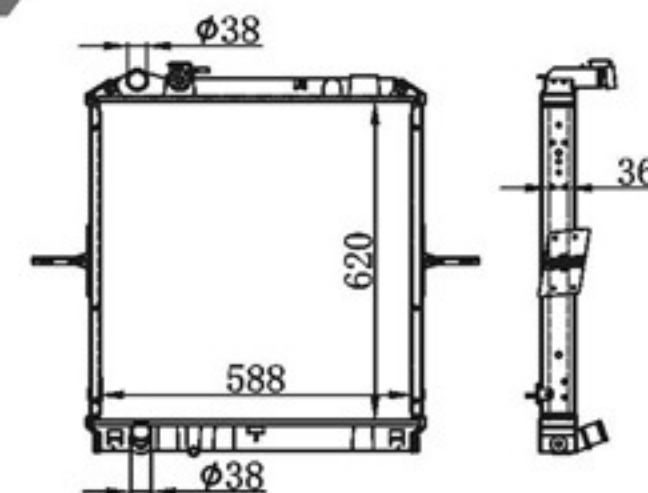
BY-35053



MODELS : 中兴皮卡(江淮瑞铃) MT
CORE SIZE : 400×568
TANK SIZE : 58/58×590
CARTON:

P A : 26
DPI :
OEM :
NISSENS:

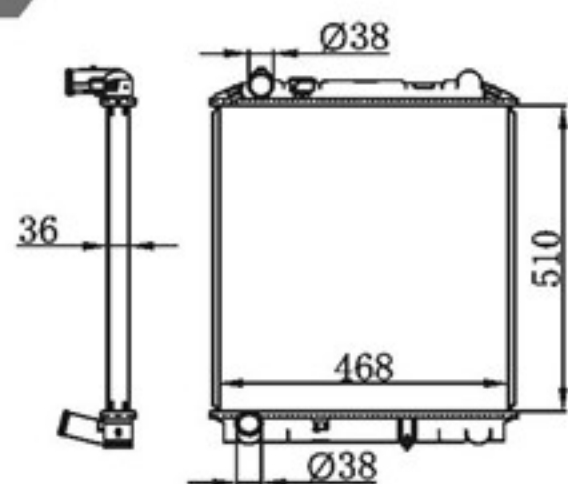
BY-35054



MODELS : NPR 09- MT
CORE SIZE : 620×588
TANK SIZE : 52/52×614
CARTON: 890*160*810

P A : 36
DPI :
OEM :
NISSENS:

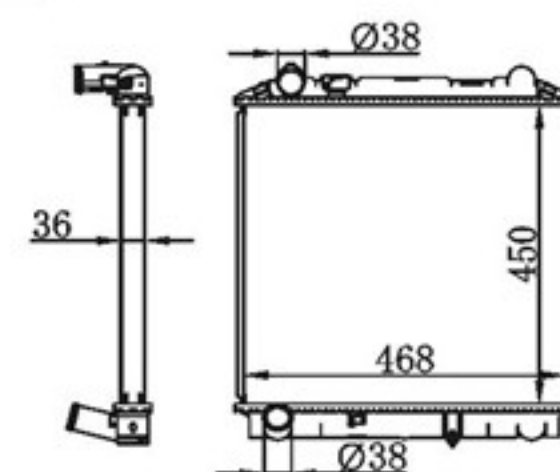
BY-35055



MODELS : ELT 00- MT
CORE SIZE : 510×468
TANK SIZE : 51.7/51.7×493.5
CARTON: 540*140*680

P A : 36
DPI :
OEM : 8-97240-345-0
NISSENS:

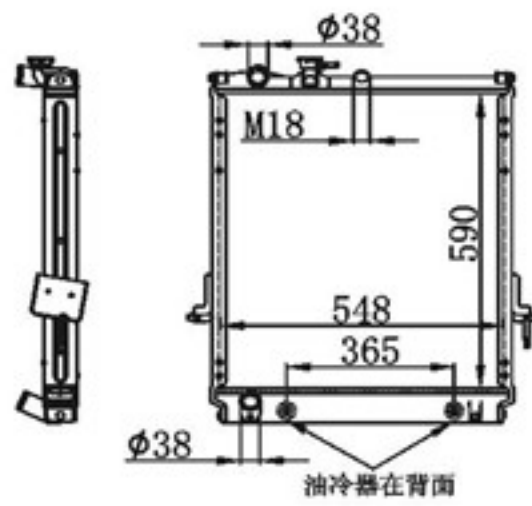
BY-35056



MODELS : ELT 00- MT
CORE SIZE : 450×468
TANK SIZE : 51.7/51.7×493.5
CARTON: 540*140*620

P A : 36
DPI :
OEM : 8-97240-284-0
NISSENS:

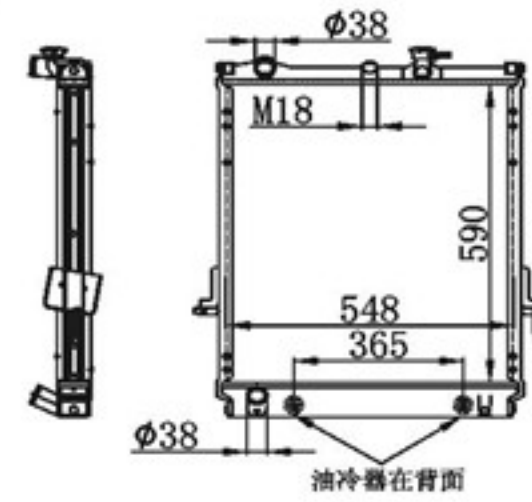
BY-35057



MODELS : ISUZU NPR 4.8 AT
CORE SIZE : 590×548
TANK SIZE : 57/57×569
CARTON: 750*150*785

P A : 36/40
DPI :
OEM :
NISSENS:

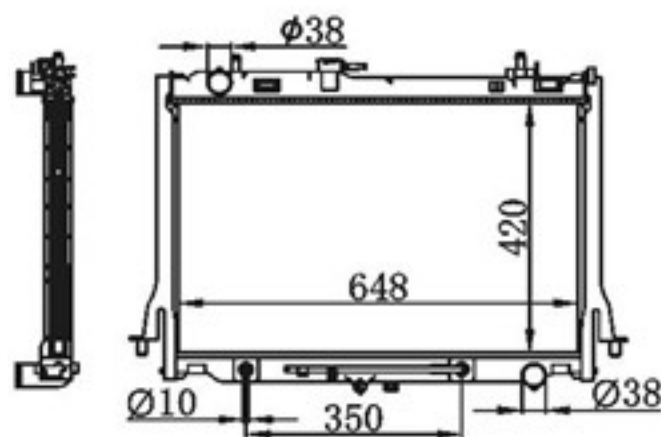
BY-35058



MODELS : NPR AT
CORE SIZE : 590×548
TANK SIZE : 57/57×569
CARTON: 750*150*790

P A : 36/40
DPI :
OEM :
NISSENS:

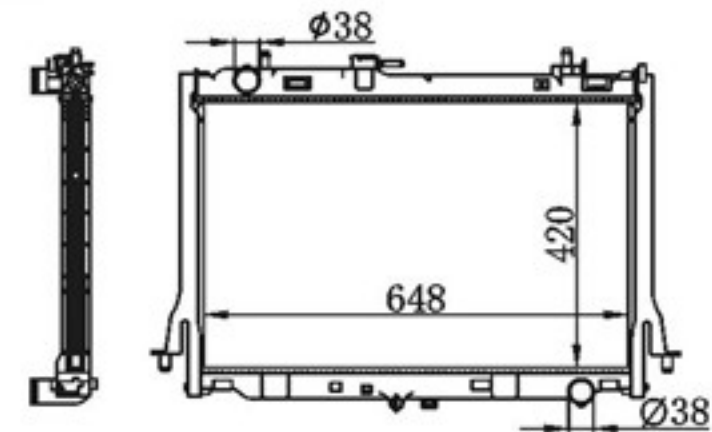
BY-35059



MODELS : D-MAX 2.5/3.0 12- AT
CORE SIZE : 420×648
TANK SIZE : 46/46×679
CARTON: 605*120*850

P A : 16/26
DPI :
OEM : 8-98137276-4
NISSENS:

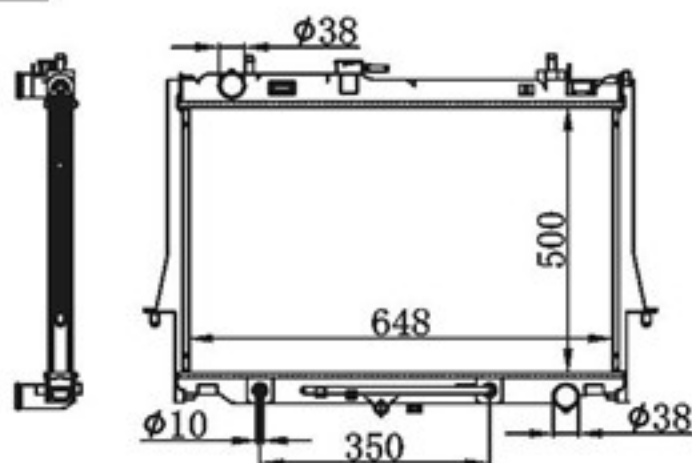
BY-35060



MODELS : D-MAX 2.5/3.0 12- MT
CORE SIZE : 420×648
TANK SIZE : 46/46×679
CARTON: 605*120*850

P A : 16/26
DPI :
OEM :
NISSENS:

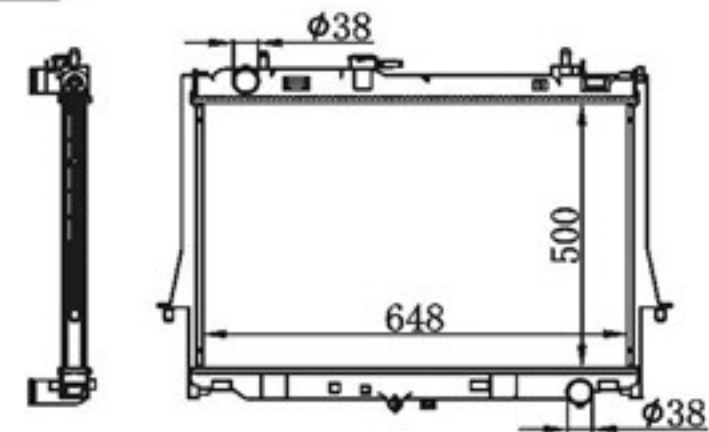
BY-35061



MODELS : D-MAX 2.5/3.0 12- AT
CORE SIZE : 500×648
TANK SIZE : 46/46×679
CARTON: 685*120*850

P A : 16/26
DPI :
OEM :
NISSENS:

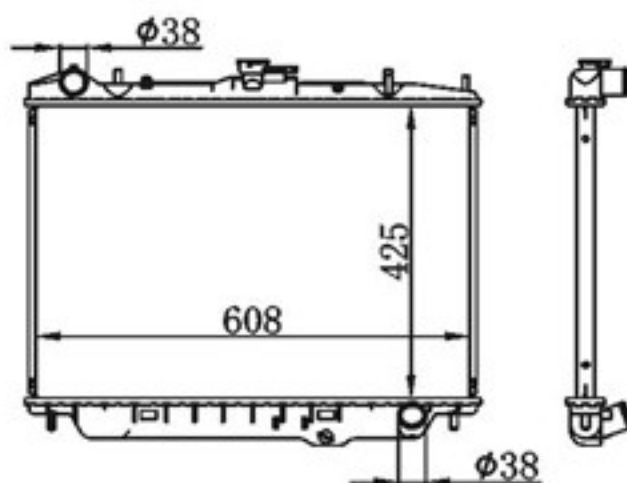
BY-35062



MODELS : D-MAX 2.5/3.0 12- MT
CORE SIZE : 500×648
TANK SIZE : 46/46×679
CARTON: 685*120*850

P A : 16/26
DPI :
OEM :
NISSENS:

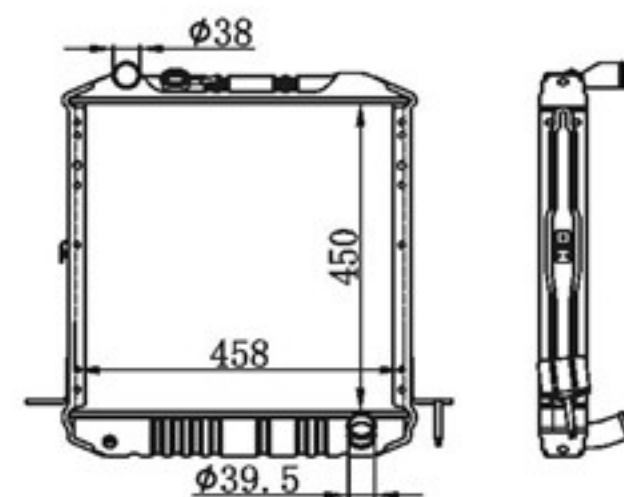
BY-35063



MODELS : AMIGO/RODEO 3.2 98-04 MT
CORE SIZE : 425×608
TANK SIZE : 49/49×636
CARTON: 690*130*630

P A : 16/26/32
DPI :
OEM :
NISSENS:

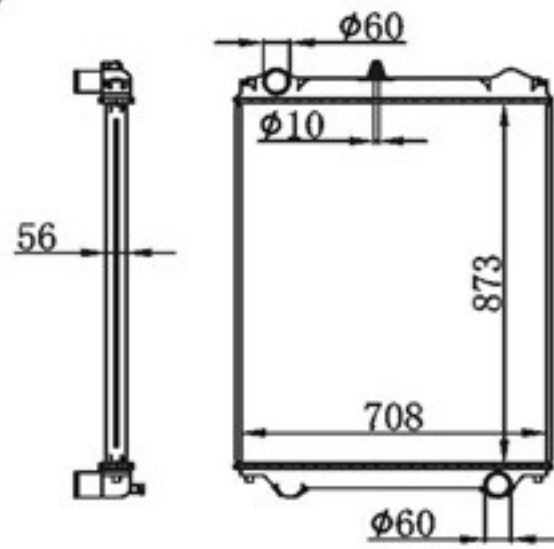
BY-35064



MODELS : HICOM 2.8 1T MT
CORE SIZE : 450×458
TANK SIZE : 65/65×490
CARTON:

B C : 32/38/48
DPI :
OEM : M8971621440
NISSENS:

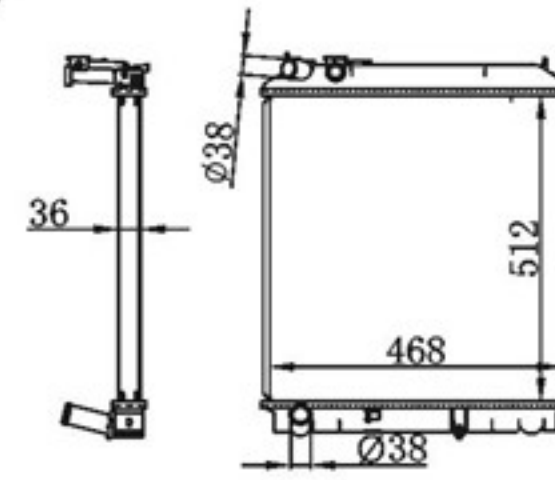
BY-35065



MODELS : FORWARD 36C MT
CORE SIZE : 873×708
TANK SIZE : 75/75×732
CARTON: 1100*170*780

P A : 56
DPI : 2149
OEM : 1-21410-830-0
NISSENS:

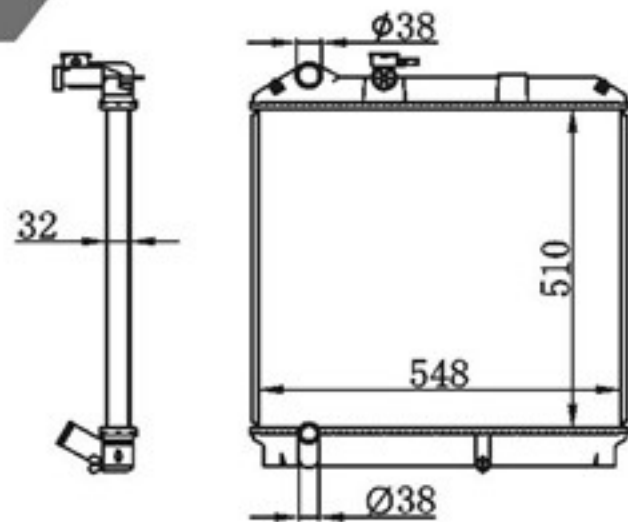
BY-35066



MODELS : ELF 00- MT
CORE SIZE : 512×468
TANK SIZE : 51.7/51.7×493.5
CARTON: 540*160*680

P A : 36
DPI :
OEM :
NISSENS:

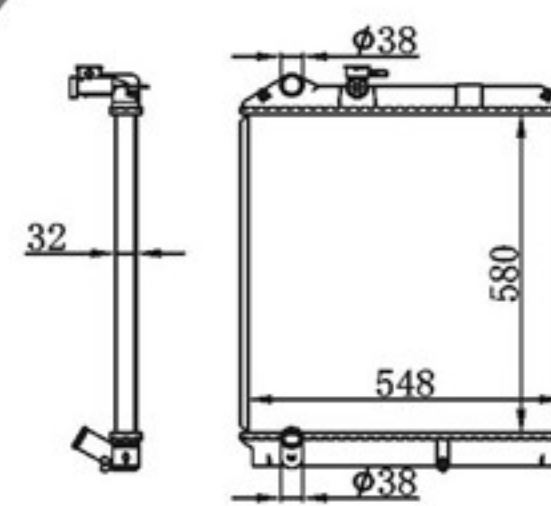
BY-35067



MODELS : ELF 99- MT
CORE SIZE : 510×548
TANK SIZE : 52/52×571.2
CARTON: 620*170*700

P A : 32
DPI :
OEM : 8-97240-348-0
NISSENS:

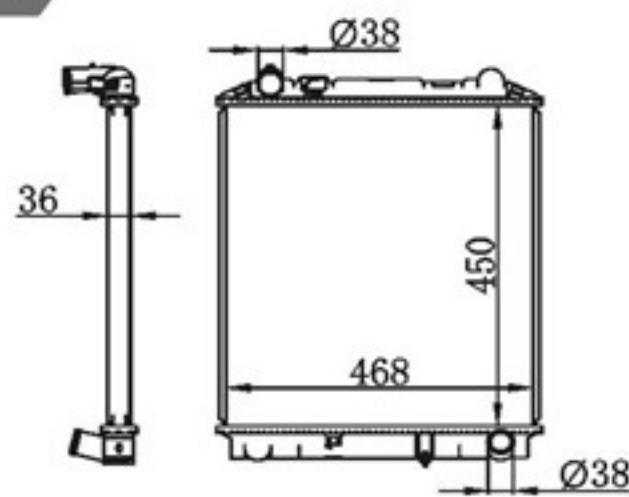
BY-35068



MODELS : ELF 99- MT
CORE SIZE : 580×548
TANK SIZE : 52/52×571.2
CARTON: 620*170*770

P A : 32
DPI :
OEM : 8-97240-350-0
NISSENS:

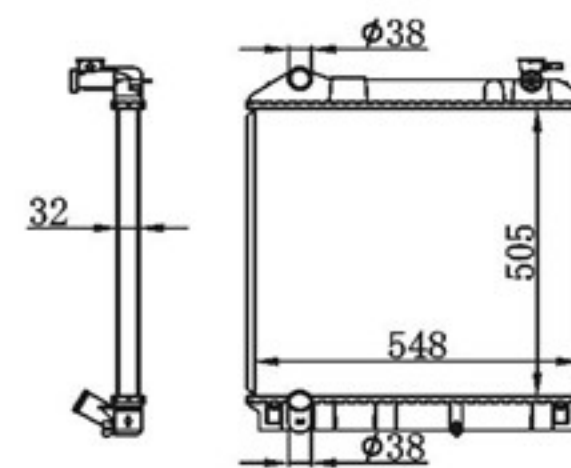
BY-35069



MODELS : ELT 00- MT
CORE SIZE : 450×468
TANK SIZE : 51.7/51.7×493.5
CARTON: 540*140*680

P A : 36
DPI :
OEM : 8-98005-361-0
NISSENS:

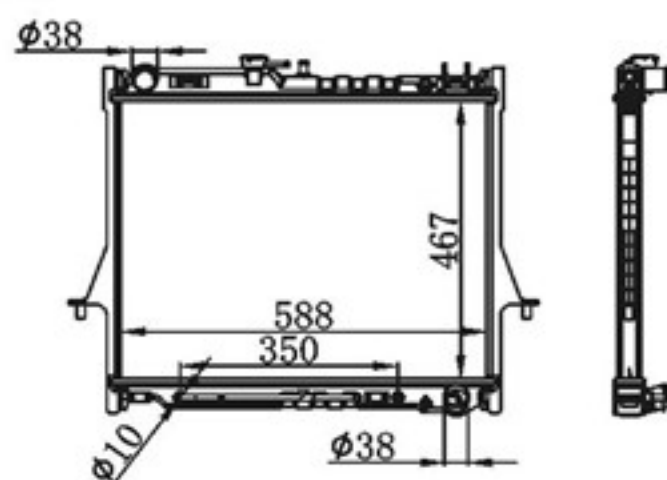
BY-35070



MODELS : ELF MT
CORE SIZE : 505×548
TANK SIZE : 52/52×571.2
CARTON: 610*170*700

P A : 32
DPI :
OEM :
NISSENS:

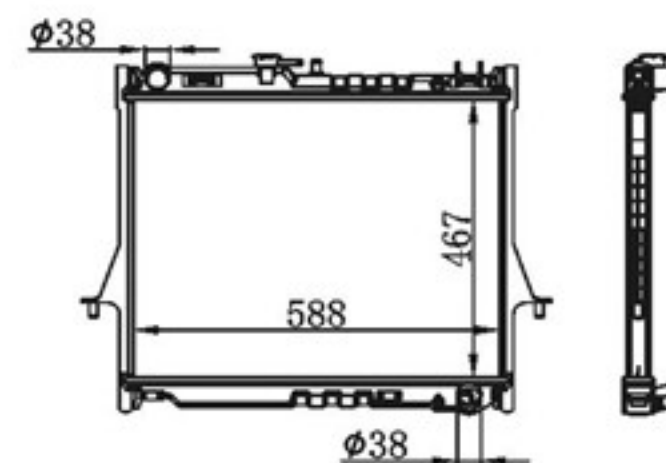
BY-35071



MODELS : PICKUP 06- AT
CORE SIZE : 467×588
TANK SIZE : 46/46×611
CARTON: 800*130*650

A L : 16/26
DPI :
OEM :
NISSENS:

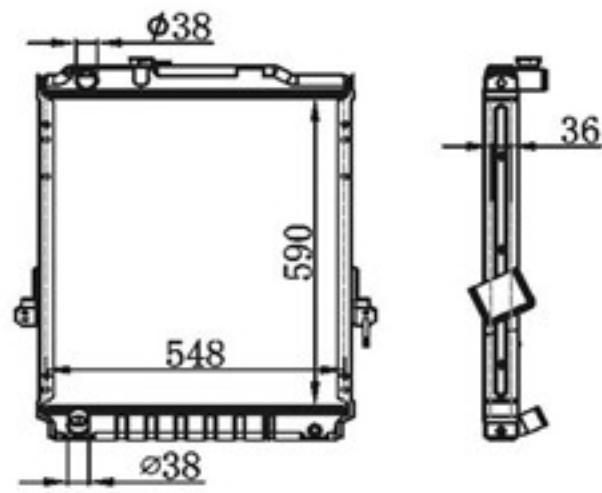
BY-35072



MODELS : PICKUP 06- MT
CORE SIZE : 467×588
TANK SIZE : 46/46×611
CARTON: 800*130*650

A L : 16/26
DPI :
OEM :
NISSENS:

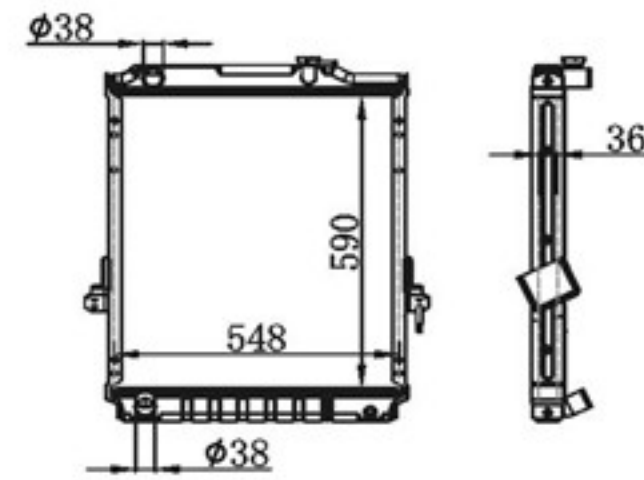
BY-35073



MODELS : SOMO MT
CORE SIZE : 590×548
TANK SIZE : 56/56×569
CARTON: 720*170*780

A L : 36
DPI :
OEM :
NISSENS:

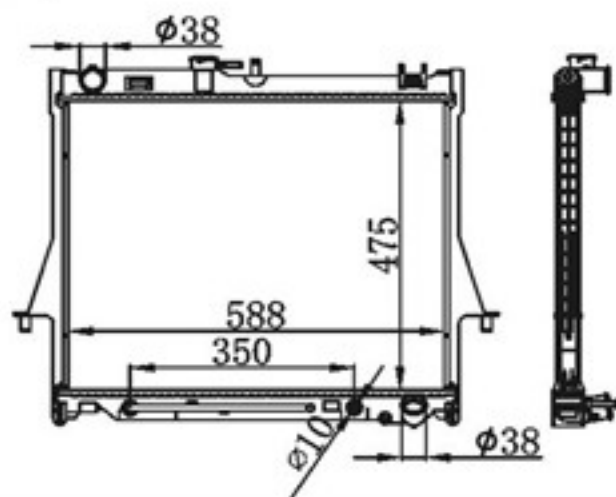
BY-35074



MODELS : SOMO MT
CORE SIZE : 590×548
TANK SIZE : 56/56×569
CARTON: 720*170*780

A L : 36
DPI :
OEM :
NISSENS:

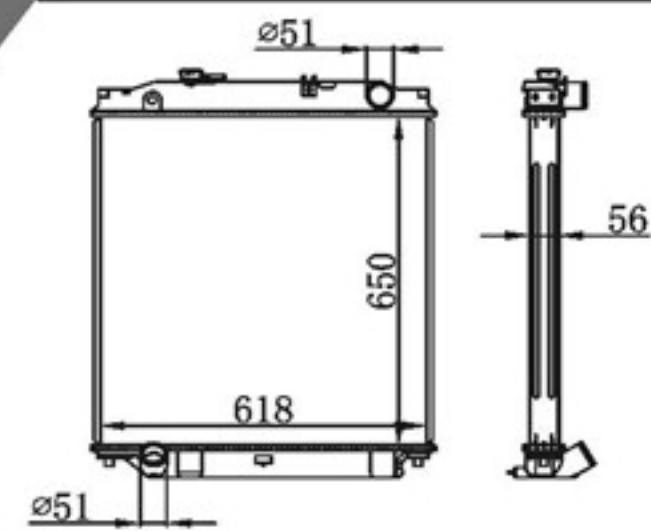
BY-35075



MODELS : PICKUP 06- AT
CORE SIZE : 475×588
TANK SIZE : 47/47×613
CARTON: 785*125*660

P A : 16/26
DPI :
OEM : 8973579000
NISSENS:

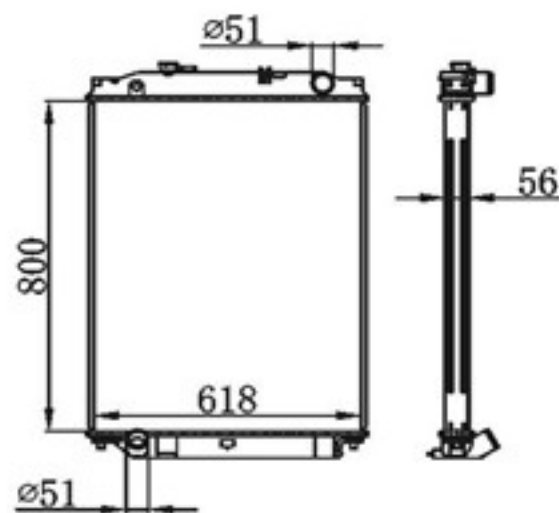
BY-35076



MODELS : RADIATOR MT
CORE SIZE : 650×618
TANK SIZE : 75/75×648
CARTON: 650*165*805

P A : 56
DPI :
OEM :
NISSENS:

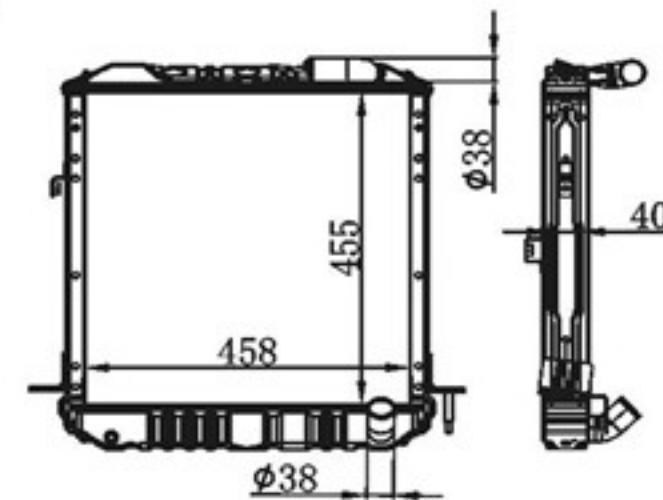
BY-35077



MODELS : RADIATOR MT
CORE SIZE : 800×618
TANK SIZE : 75/75×648
CARTON: 650*165*955

P A : 56
DPI :
OEM :
NISSENS:

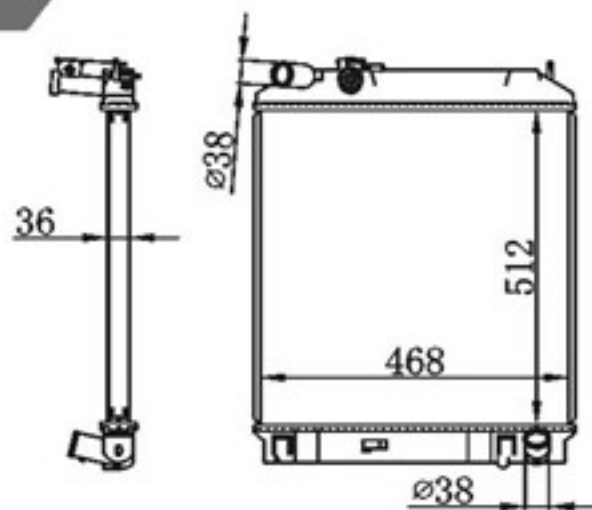
BY-35078



MODELS : MT
CORE SIZE : 455×458
TANK SIZE : 67/67×492
CARTON:

A L : 40
DPI :
OEM :
NISSENS:

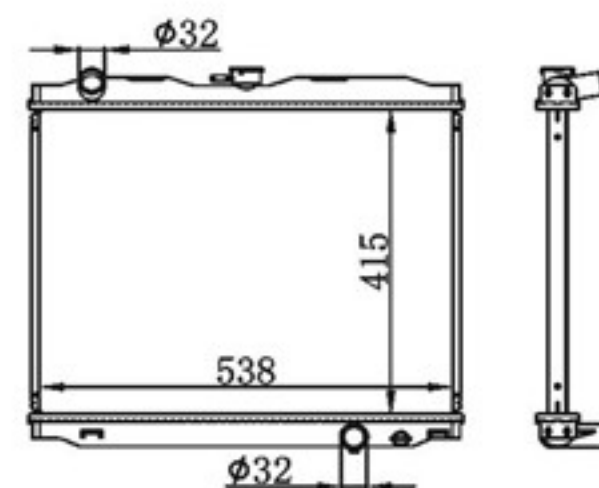
BY-35079



MODELS : ELF MT
CORE SIZE : 512×468
TANK SIZE : 51.7/51.7×493.5
CARTON: 540*160*680

P A : 36
DPI :
OEM : 8-97387-468
NISSENS:

BY-35080



MODELS : 江铃长城皮卡 MT
CORE SIZE : 415×538
TANK SIZE : 53/53×562
CARTON:

P A : 26/36
DPI :
OEM :
NISSENS:

BY-35081

MODELS : 江铃长城皮卡 MT
CORE SIZE : 385×538
TANK SIZE : 53/53×562
CARTON:

P A : 26/36
DPI :
OEM :
NISSENS:

BY-35082

MODELS : GIGA MAX MT
CORE SIZE : 720×708
TANK SIZE : 75/75×732
CARTON: 735*160*900

P A : 56
DPI :
OEM :
NISSENS:

BY-35083

MODELS : NKR 200 03- MT
CORE SIZE : 510×468
TANK SIZE : 51.7/51.7×493.5
CARTON: 500*135*635

P A : 36
DPI :
OEM :
NISSENS:

BY-35084

MODELS : KB 250/250D LE 89-98 MT
CORE SIZE : 510×368
TANK SIZE : 49.5/49.5×417
CARTON: 700*90*480

P A : 32
DPI :
OEM :
NISSENS:

BY-35085

MODELS : NLR MT
CORE SIZE : 510×468
TANK SIZE : 51.7/51.7×493.5
CARTON: 540*160*680

P A : 36
DPI :
OEM :
NISSENS:

BY-35086

MODELS : ISUZU 700 P MT
CORE SIZE : 620×588
TANK SIZE : 52/52×614
CARTON: 890*160*810

P A : 36
DPI :
OEM : 8981729200
NISSENS:

BY-35087

MODELS : ISUZU MT
CORE SIZE : 528×528
TANK SIZE : 49/49×539.5
CARTON: 550*120*655

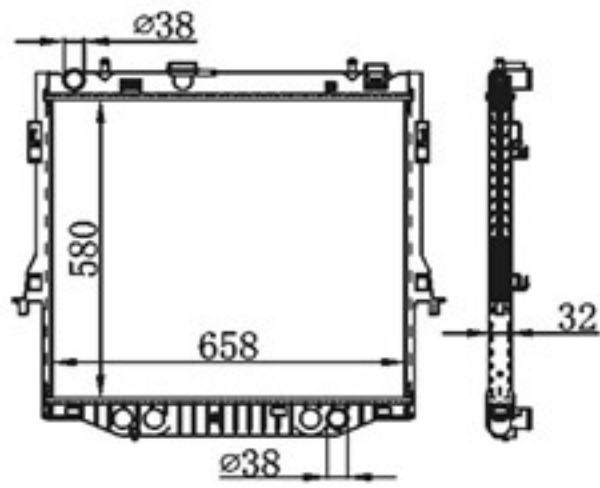
P A : 26
DPI :
OEM :
NISSENS:

BY-35088

MODELS : ISUZU MT
CORE SIZE : 520×478
TANK SIZE : 53/53×503
CARTON:

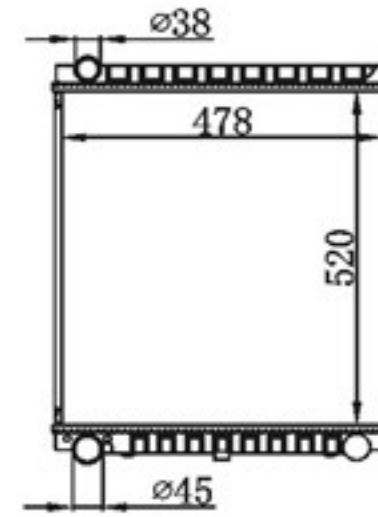
P A : 26
DPI :
OEM :
NISSENS:

BY-35089



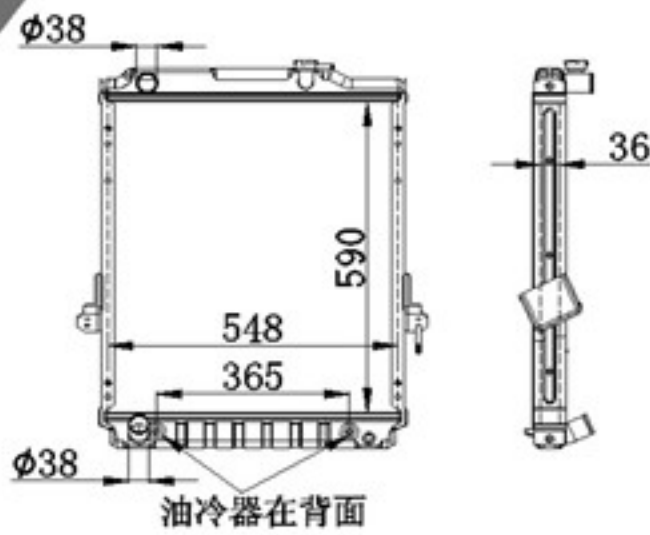
MODELS : D-MAX 2.5/3.0 12- MT
 CORE SIZE : 580×658
 TANK SIZE : 48/48×680
 CARTON:
 P A : 32
 DPI :
 OEM :
 NISSENS:

BY-35090



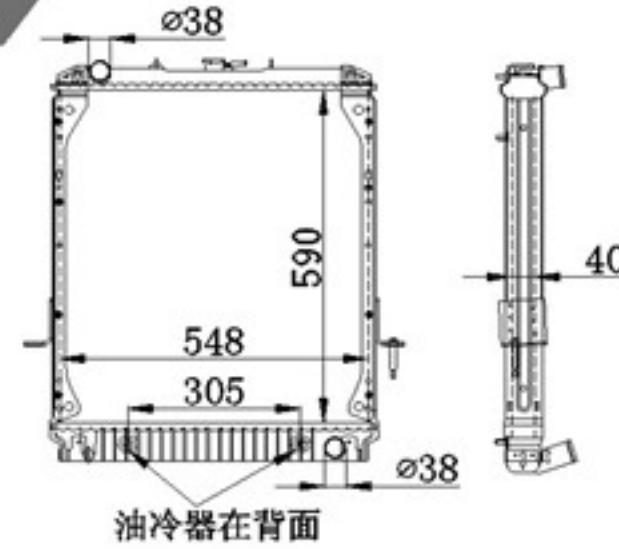
MODELS : ISUZU MT
 CORE SIZE : 520×478
 TANK SIZE : 53/53×503
 CARTON:
 P A : 26
 DPI :
 OEM :
 NISSENS:

BY-35091



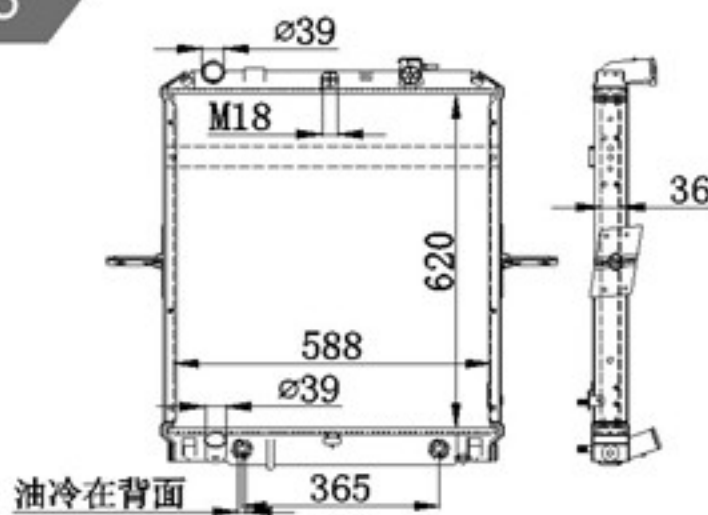
MODELS : NPR BASE V8 5.7L 99-03 AT
 CORE SIZE : 590×548
 TANK SIZE : 56/56×569
 CARTON: 720*170*780
 A L : 36
 DPI :
 OEM :
 NISSENS:

BY-35092



MODELS : ISUZU N-SEREIS 97-02 AT
 CORE SIZE : 590×548
 TANK SIZE : 62/62×570
 CARTON: 725*145*670
 P A : 40
 DPI :
 OEM : 8793115580
 NISSENS:

BY-35093



MODELS : NQR MT
 CORE SIZE : 620×588
 TANK SIZE : 52/52×613
 CARTON: 820*160*690
 P A : 36
 DPI :
 OEM : 8-97333-140-4
 NISSENS: