



SIRENS & SPEAKERS

WENZHOU WEYA ELECTRONIC TECHNOLOGY CO.,LTD

WEBSITE: WWW.VEHICLESIGNAL.COM

EMAIL: SALES@VEHICLESIGNAL.COM
SNOWY@VEHICLESIGNAL.COM

MOBILE/ WHATSAPP: 0086-13957796264

TELL: 0086-577-88837383

CONTACT: SNOWY ZHAN

WEATHER-PROOF SIREN AND SPEAKER PROVIDE CLEAR SOUND FREQUENCY WITH A POWERFUL 100/150/200 WATT OUTPUT. WITH BUILT IN FLAT BRACKETS FOR MOUNTING, IS EASY TO INSTALL ON A VARIETY OF APPLICATIONS.

AS ONE OF THE LEADING SUPPLIERS OF EMERGENCY VEHICLE SIRENS AND WARNING LIGHTS, OUR SIRENS AND SPEAKERS PROVIDE THE SAME QUALITY PROVIDE 2/3 YEARS WARRANTY AS WELL.

WITH A FASHION AND FLAT DESIGN, THIS SPEAKER IS SURE TO CAPTURE THE ATTENTION OF ANYONE ON THE ROAD. PAIR THIS SYSTEM WITH ANY OF OUR SAME WATT SIREN SYSTEMS, YOUR VEHICLE WILL BE ONE OF THE MOST POWERFUL ON THE ROAD.



JBQ-8500



LB-1012B



LB-1503



JBQ-10014

WEATHER-PROOF AND FLAT SPEAKER PROVIDE CLEAR SOUND FREQUENCY WITH A POWERFUL 100/150/200 WATT OUTPUT. WITH BUILT IN FLAT BRACKETS FOR MOUNTING, THIS SPEAKER IS EASY TO INSTALL ON A VARIETY OF APPLICATIONS.

AS ONE OF THE LEADING SUPPLIERS OF EMERGENCY VEHICLE SIRENS AND WARNING LIGHTS, OUR SIRENS AND SPEAKERS PROVIDE THE SAME QUALITY PROVIDE 2/3 YEARS WARRANTY AS WELL.

WITH A FASHION AND FLAT DESIGN, THIS SPEAKER IS SURE TO CAPTURE THE ATTENTION OF ANYONE ON THE ROAD. PAIR THIS SYSTEM WITH ANY OF OUR SAME WATT SIREN SYSTEMS, YOUR VEHICLE WILL BE ONE OF THE MOST POWERFUL ON THE ROAD.



LB-1516

FEATURES:

- * 2 YEAR WARRANTY (OPTIONAL 3 YEAR WARRANTY UPGRADE AVAILABLE)
- * 100/150/200-WATT SPEAKER OUTPUT
- * WEATHER-PROOF HOUSING
- * CLEAR SOUND FREQUENCY
- * INCLUDES 1 FEET OF CABLE
- * INCLUDES BRACKET FOR MOUNTING
- * DIMENSIONS: 7.4" L X 6.4" W X 3.3" H
- * PACKING: 14.4" L X 9.3" W X 12.2" H 6PCS/CTN 19.5KGS



BREATHER-PROOF AND FLAT SPEAKER PROVIDE CLEAR SOUND FREQUENCY WITH A POWERFUL 100WATT OUTPUT. WITH BUILT IN FLAT BRACKETS FOR MOUNTING, THIS SPEAKER IS EASY TO INSTALL ON A VARIETY OF APPLICATIONS.

AS ONE OF THE LEADING SUPPLIERS OF EMERGENCY VEHICLE SIRENS AND WARNING LIGHTS, OUR SIRENS AND SPEAKERS PROVIDE THE SAME QUALITY PROVIDE 2/3 YEARS WARRANTY AS WELL.

WITH A FASHION AND FLAT DESIGN, THIS SPEAKER IS SURE TO CAPTURE THE ATTENTION OF ANYONE ON THE ROAD. PAIR THIS SYSTEM WITH ANY OF SAME WATT SIREN SYSTEMS, YOUR VEHICLE WILL BE ONE OF THE MOST POWERFUL ON THE ROAD.

FEATURES:

- * 1 YEAR WARRANTY (OPTIONAL 2 YEAR WARRANTY UPGRADE AVAILABLE)
- * 100-WATT SPEAKER OUTPUT
- * WEATHER-PROOF HOUSING
- * CLEAR SOUND FREQUENCY
- * INCLUDES 1 FEET OF CABLE
- * INCLUDES BRACKET FOR MOUNTING
- * DIMENSIONS: 6.5" L X 6.5" W X 2.9" H
- * NET WEIGHT: 2.2KGS
- * SOUND COMPRESSION LEVEL: $\geq 118\text{DB}$
- * SOUND FREQUENCY RANGE: 200-5000Z
- * HOUSING MATERIAL: PA66(NYLON)
- * IMPEDANCE: 8 Ω -11 Ω



LB-1503





LB-1001



FEATURES:

- * CLASSIC CLASSIC CLASSIC
- * 1 YEAR WARRANTY (OPTIONAL 2 YEAR WARRANTY UPGRADE AVAILABLE)
- * 100 / 150 / 200-WATT SPEAKER OUTPUT
- * WEATHER-PROOF HOUSING
- * CLEAR SOUND FREQUENCY
- * INCLUDES 1 FEET OF CABLE
- * INCLUDES BRACKET FOR MOUNTING
- * MATERIAL: ALUMINUM & ABS
- * ENVIRONMENT: - 40°C~ +50°C
- * SOUND COMPRESSION LEVEL: 120-130DB
- * SOUND FREQUENCY RANGE: 400-4500Z
- * MAGNETIC: ND
- * IMPEDANCE: 4Ω/ 6Ω/8Ω/11Ω



WEATHER-PROOF AND FLAT SPEAKER PROVIDE CLEAR SOUND FREQUENCY WITH A POWERFUL 100-150WATT OUTPUT. WITH BUILT IN FLAT BRACKETS FOR MOUNTING, THIS SPEAKER IS EASY TO INSTALL ON A VARIETY OF APPLICATIONS.

AS ONE OF THE LEADING SUPPLIERS OF EMERGENCY VEHICLE SIRENS AND WARNING LIGHTS, OUR SIRENS AND SPEAKERS PROVIDE THE SAME QUALITY PROVIDE 2/3 YEARS WARRANTY AS WELL.

WITH A FASHION AND FLAT DESIGN, THIS SPEAKER IS SURE TO CAPTURE THE ATTENTION OF ANYONE ON THE ROAD. PAIR THIS SYSTEM WITH ANY OF SAME WATT SIREN SYSTEMS, YOUR VEHICLE WILL BE ONE OF THE MOST POWERFUL ON THE ROAD.

FEATURES:

- * 1YEAR WARRANTY (OPTIONAL 2 YEAR WARRANTY UPGRADE AVAILABLE)
- * 100 / 150-WATT SPEAKER OUTPUT
- * WEATHER-PROOF HOUSING
- * CLEAR SOUND FREQUENCY
- * INCLUDES 1 FEET OF CABLE
- * INCLUDES BRACKET FOR MOUNTING
- * MATERIAL: ALUMINUM & ABS
- * ENVIRONMENT: - 40°C~ +55°C
- * SOUND COMPRESSION LEVEL:118-125DB
- * SOUND FREQUENCY RANGE: 400-4500Z
- * MAGNETIC: ND



WEATHER-PROOF AND FLAT SPEAKER PROVIDE CLEAR SOUND FREQUENCY WITH A POWERFUL 100-150WATT OUTPUT. WITH BUILT IN FLAT BRACKETS FOR MOUNTING, THIS SPEAKER IS EASY TO INSTALL ON A VARIETY OF APPLICATIONS.

AS ONE OF THE LEADING SUPPLIERS OF EMERGENCY VEHICLE SIRENS AND WARNING LIGHTS, OUR SIRENS AND SPEAKERS PROVIDE THE SAME QUALITY PROVIDE 2/3 YEARS WARRANTY AS WELL.

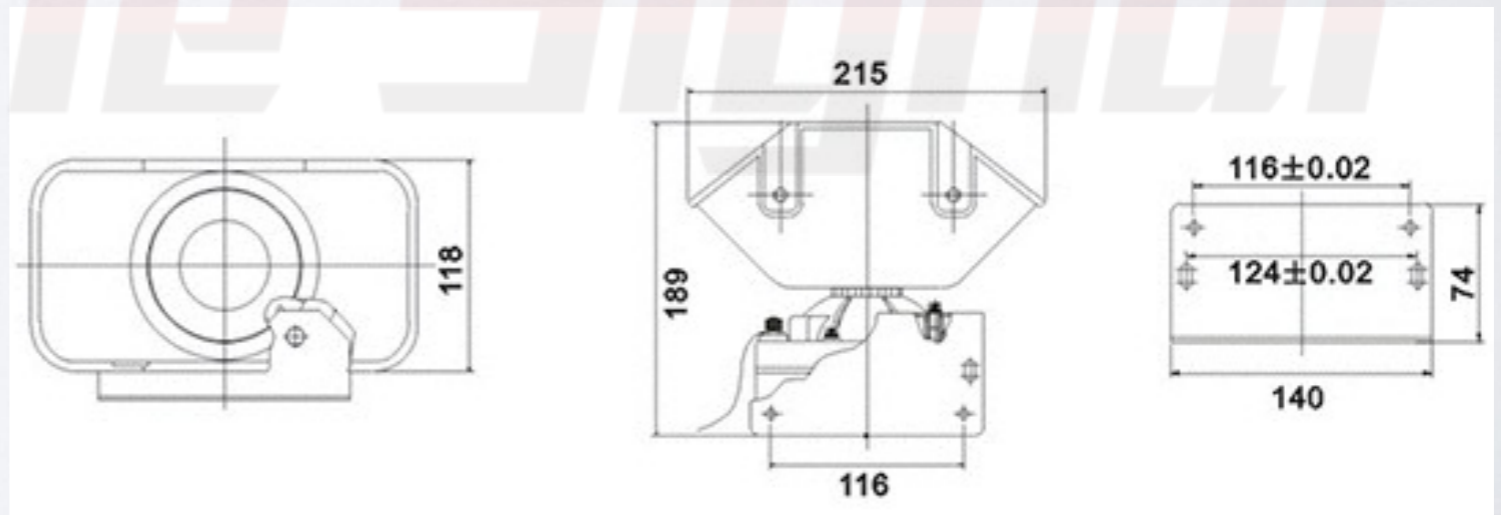
WITH A FASHION AND FLAT DESIGN, THIS SPEAKER IS SURE TO CAPTURE THE ATTENTION OF ANYONE ON THE ROAD. PAIR THIS SYSTEM WITH ANY OF SAME WATT SIREN SYSTEMS, YOUR VEHICLE WILL BE ONE OF THE MOST POWERFUL ON THE ROAD.



LB-2001

FEATURES:

- * 1 YEAR WARRANTY (OPTIONAL 2YEAR WARRANTY UPGRADE AVAILABLE)
- * 200-WATT SPEAKER OUTPUT
- * WEATHER-PROOF HOUSING
- * CLEAR SOUND FREQUENCY
- * INCLUDES 1 FEET OF CABLE
- * INCLUDES BRACKET FOR MOUNTING
- * MATERIAL: ALUMINUM & ABS
- * ENVIRONMENT: - 40°C~ +55°C
- * SOUND COMPRESSION LEVEL: 120-130DB
- * SOUND FREQUENCY RANGE: 300-4600HZ
- * MAGNETIC: ND
- * NET WEIGHT: 4.25KGS
- * DIMENSIONS: 8.46" L X 4.65" H X 7.443"



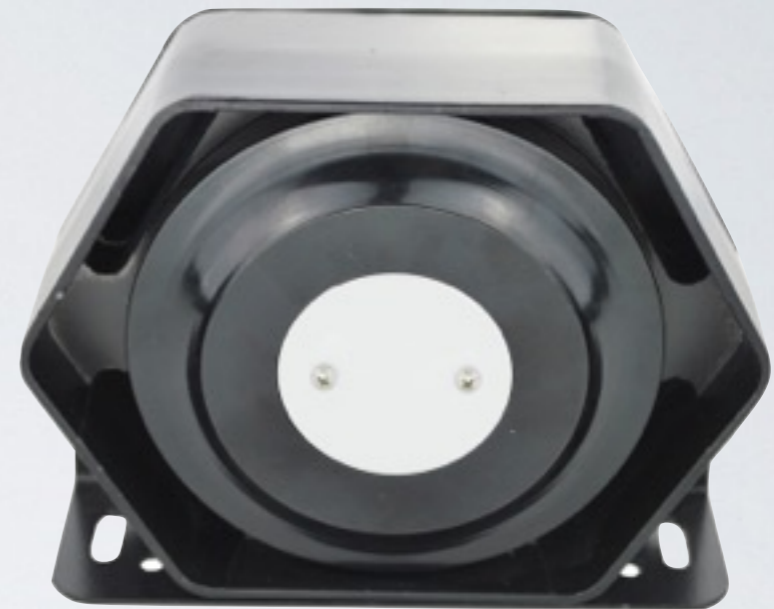
WEATHER-PROOF AND FLAT SPEAKER PROVIDE CLEAR SOUND FREQUENCY WITH A POWERFUL 100 / 150WATT OUTPUT. WITH BUILT IN FLAT BRACKETS FOR MOUNTING, THIS SPEAKER IS EASY TO INSTALL ON A VARIETY OF APPLICATIONS.

AS ONE OF THE LEADING SUPPLIERS OF EMERGENCY VEHICLE SIRENS AND WARNING LIGHTS, OUR SIRENS AND SPEAKERS PROVIDE THE SAME QUALITY PROVIDE 2/3 YEARS WARRANTY AS WELL.

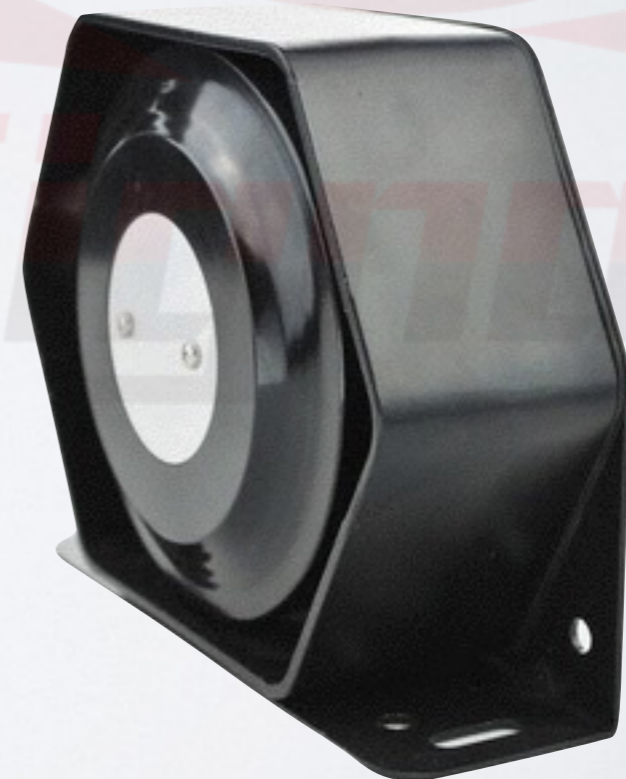
WITH A FASHION AND FLAT DESIGN, THIS SPEAKER IS SURE TO CAPTURE THE ATTENTION OF ANYONE ON THE ROAD. PAIR THIS SYSTEM WITH ANY OF SAME WATT SIREN SYSTEMS, YOUR VEHICLE WILL BE ONE OF THE MOST POWERFUL ON THE ROAD.

FEATURES:

- * 2 YEAR WARRANTY (OPTIONAL 3 YEAR WARRANTY UPGRADE AVAILABLE)
- * 100 / 150-WATT SPEAKER OUTPUT
- * WEATHER-PROOF HOUSING
- * CLEAR SOUND FREQUENCY
- * INCLUDES 1 FEET OF CABLE
- * INCLUDES BRACKET FOR MOUNTING
- * MATERIAL: ALUMINUM & ABS
- * ENVIRONMENT: - 30°C~ +55°C
- * SOUND COMPRESSION LEVEL: 110-120DB
- * SOUND FREQUENCY RANGE: 100-4700HZ
- * MAGNETIC: ND



LB-102

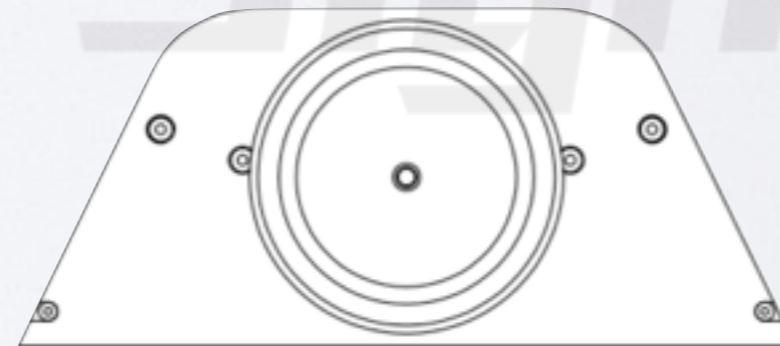
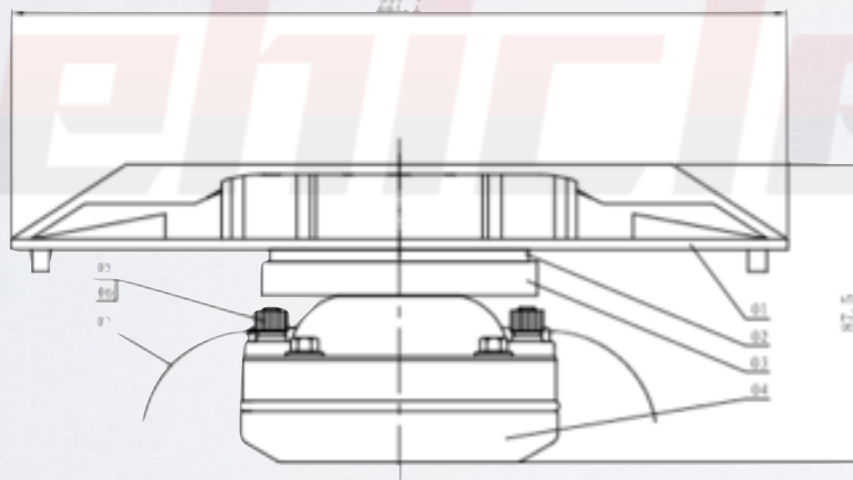


FEATURES:

- * FLAT FASHION DESIGN
- * 1 YEAR WARRANTY (OPTIONAL 2 YEAR WARRANTY UPGRADE AVAILABLE)
- * 100 / 150-WATT SPEAKER OUTPUT
- * WEATHER-PROOF HOUSING
- * CLEAR SOUND FREQUENCY
- * INCLUDES 1 FEET OF CABLE
- * INCLUDES BRACKET FOR MOUNTING
- * MATERIAL: ALUMINUM
- * ENVIRONMENT: - 40°C~ +50°C
- * SOUND COMPRESSION LEVEL: 120-130DB
- * SOUND FREQUENCY RANGE: 400-4500Z
- * MAGNETIC: ND
- * IMPEDANCE: 4Ω/ 6Ω/8Ω



LB-1011



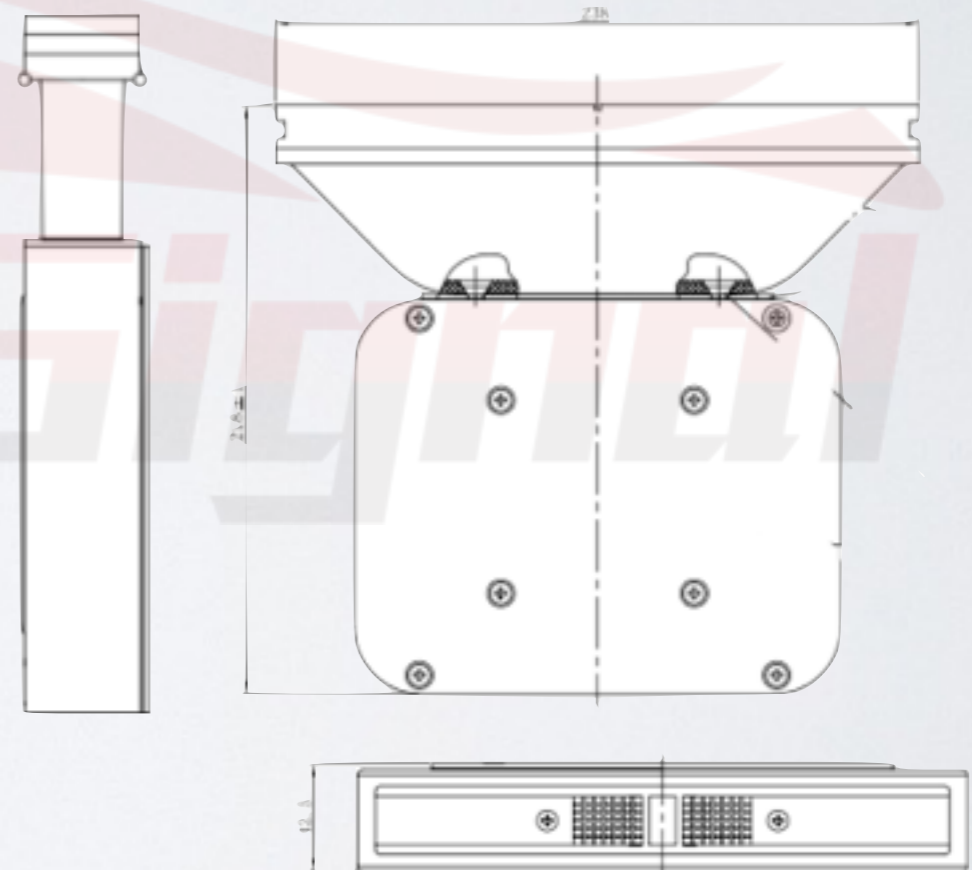
WEATHER-PROOF AND FLAT SPEAKER PROVIDE CLEAR SOUND FREQUENCY WITH A POWERFUL 100-150WATT OUTPUT. WITH BUILT IN FLAT BRACKETS FOR MOUNTING, THIS SPEAKER IS EASY TO INSTALL ON A VARIETY OF APPLICATIONS.

AS ONE OF THE LEADING SUPPLIERS OF EMERGENCY VEHICLE SIRENS AND WARNING LIGHTS, OUR SIRENS AND SPEAKERS PROVIDE THE SAME QUALITY PROVIDE 2/3 YEARS WARRANTY AS WELL.

WITH A FASHION AND FLAT DESIGN, THIS SPEAKER IS SURE TO CAPTURE THE ATTENTION OF ANYONE ON THE ROAD. PAIR THIS SYSTEM WITH ANY OF SAME WATT SIREN SYSTEMS, YOUR VEHICLE WILL BE ONE OF THE MOST POWERFUL ON THE ROAD.

FEATURES:

- * 1 YEAR WARRANTY (OPTIONAL 2 YEAR WARRANTY UPGRADE AVAILABLE)
- * 100 / 150-WATT SPEAKER OUTPUT
- * WEATHER-PROOF HOUSING
- * CLEAR SOUND FREQUENCY
- * INCLUDES 1 FEET OF CABLE
- * INCLUDES BRACKET FOR MOUNTING
- * MATERIAL: ALUMINUM & ABS
- * ENVIRONMENT: - 40°C~ +55°C
- * SOUND COMPRESSION LEVEL:118-125DB
- * SOUND FREQUENCY RANGE: 400-4500Z
- * MAGNETIC: ND



WEATHER-PROOF AND FLAT SPEAKER PROVIDE CLEAR SOUND FREQUENCY WITH A POWERFUL 100 / 150WATT OUTPUT. WITH BUILT IN FLAT BRACKETS FOR MOUNTING, THIS SPEAKER IS EASY TO INSTALL ON A VARIETY OF APPLICATIONS.

AS ONE OF THE LEADING SUPPLIERS OF EMERGENCY VEHICLE SIRENS AND WARNING LIGHTS, OUR SIRENS AND SPEAKERS PROVIDE THE SAME QUALITY PROVIDE 2/3 YEARS WARRANTY AS WELL.

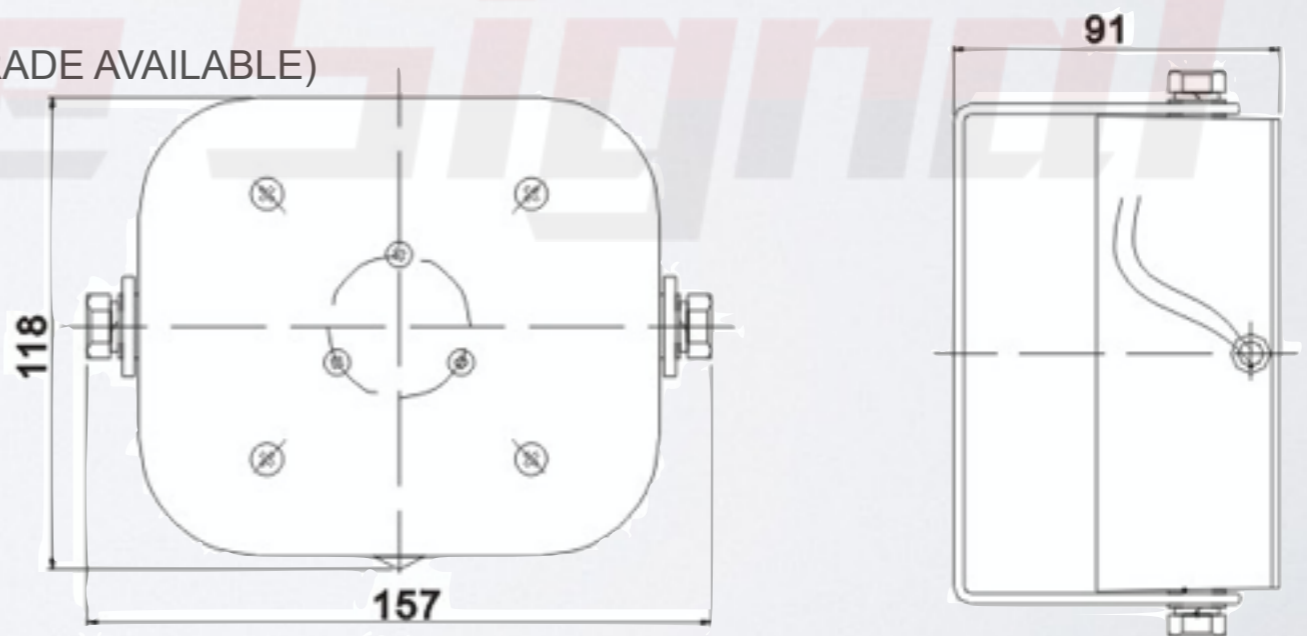
WITH A FASHION AND FLAT DESIGN, THIS SPEAKER IS SURE TO CAPTURE THE ATTENTION OF ANYONE ON THE ROAD. PAIR THIS SYSTEM WITH ANY OF SAME WATT SIREN SYSTEMS, YOUR VEHICLE WILL BE ONE OF THE MOST POWERFUL ON THE ROAD.



LB-103A

FEATURES:

- * 1 YEAR WARRANTY (OPTIONAL 2 YEAR WARRANTY UPGRADE AVAILABLE)
- * 100 / 150-WATT SPEAKER OUTPUT
- * WEATHER-PROOF HOUSING
- * CLEAR SOUND FREQUENCY
- * INCLUDES 1 FEET OF CABLE
- * INCLUDES BRACKET FOR MOUNTING
- * MATERIAL: ALUMINUM & ABS
- * ENVIRONMENT: - 30°C~ +55°C
- * SOUND COMPRESSION LEVEL: 110-120DB
- * SOUND FREQUENCY RANGE: 400-4700HZ
- * MAGNETIC: ND



WEATHER-PROOF AND FLAT SPEAKER PROVIDE CLEAR SOUND FREQUENCY WITH A POWERFUL 100 / 150WATT OUTPUT. WITH BUILT IN FLAT BRACKETS FOR MOUNTING, THIS SPEAKER IS EASY TO INSTALL ON A VARIETY OF APPLICATIONS.

AS ONE OF THE LEADING SUPPLIERS OF EMERGENCY VEHICLE SIRENS AND WARNING LIGHTS, OUR SIRENS AND SPEAKERS PROVIDE THE SAME QUALITY PROVIDE 2/3 YEARS WARRANTY AS WELL.

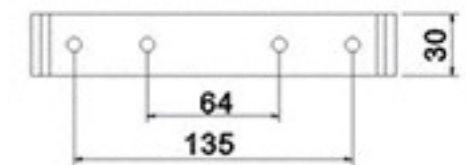
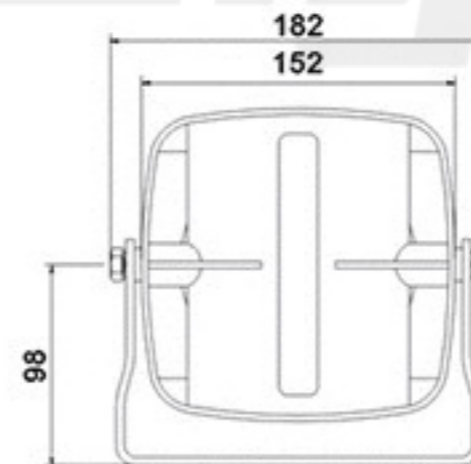
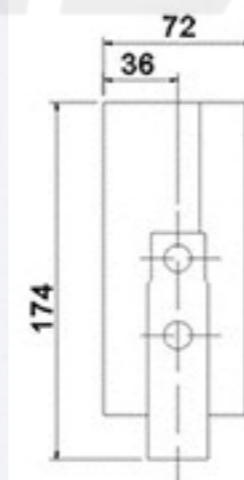
WITH A FASHION AND FLAT DESIGN, THIS SPEAKER IS SURE TO CAPTURE THE ATTENTION OF ANYONE ON THE ROAD. PAIR THIS SYSTEM WITH ANY OF SAME WATT SIREN SYSTEMS, YOUR VEHICLE WILL BE ONE OF THE MOST POWERFUL ON THE ROAD.



LB-1003

FEATURES:

- * 1 YEAR WARRANTY (OPTIONAL 2 YEAR WARRANTY UPGRADE AVAILABLE)
- * 100 / 150-WATT SPEAKER OUTPUT
- * WEATHER-PROOF HOUSING
- * CLEAR SOUND FREQUENCY
- * INCLUDES 1 FEET OF CABLE
- * INCLUDES BRACKET FOR MOUNTING
- * MATERIAL: ALUMINUM & ABS
- * ENVIRONMENT: - 30°C~ +55°C
- * SOUND COMPRESSION LEVEL: 110-120DB
- * SOUND FREQUENCY RANGE: 400-4000HZ
- * MAGNETIC: ND
- * SOUND PRESSURE: 120-130DB
- * DIMENSIONS: 6" L X 2.83" H X 6.85" D



THE BEST VALUED EMERGENCY VEHICLE SIREN ON THE MARKET. PROVIDING A VARIETY OF SIREN TONES PUTTING OUT AN INTENSE 100 WATTS, THIS UNIT GIVE YOU EVERYTHING YOU NEED.

THIS UNIT IS THE PERFECT AND CLASSIC POLICE SIREN FOR ANY EMERGENCY VEHICLE. A SET OF FLAT BRACKETS INCLUDED FOR MOUNTING THIS ITEM, YOU HAVE THE FLEXIBILITY TO MOUNT THIS SIREN SYSTEM ANYWHERE IN THE VEHICLES.

COMBINE THE SIREN SYSTEM WITH ONE OF OUR 100-WATT SPEAKERS TO PRODUCE THE PERFECT EMERGENCY VEHICLE SIREN SYSTEM.

FEATURES:

- * 2 YEAR WARRANTY (OPTIONAL 3YEAR WARRANTY UPGRADE AVAILABLE)
- * 100 / 150-WATT SIREN OUTPUT
- * POWERED BY 12V / 24V
- * WEATHER-PROOF HOUSING
- * INDEPENDENT SIREN TONES FOR EASY SELECTION
- * SIREN TONES: WAIL ,YELP, SIREN,HORN,PHASER, TOOL, HORN, HI-LO
- * CLEAR SOUND FREQUENCY
- * INCLUDES 10 FEET OF CABLE TO SPEAKER AND 8.5 FEET TO POWER
- * INCLUDES BRACKET FOR MOUNTING
- * MATERIAL: METAL
- * ENVIRONMENT: - 40°C~ +65°C
- * NET WEIGHT: 2KGS
- * DIMENSIONS: 6.1" L X 7.6" W X 2.2" H



LB-1002



JBQ-10014



JBQ-07



LB-1012B



FEATURES:

- * 2 YEAR WARRANTY (OPTIONAL 3 YEAR WARRANTY UPGRADE AVAILABLE)
- * 100 / 150 / 200-WATT SIREN OUTPUT
- * POWERED BY 12V / 24V
- * WEATHER-PROOF HOUSING
- * INDEPENDENT SIREN TONES FOR EASY SELECTION
- * SIREN TONES: WAIL, YELP, SIREN, HORN, PHASER, TOOL, HORN, HI-LO
- * CLEAR SOUND FREQUENCY
- * INCLUDES 10 FEET OF CABLE TO SPEAKER AND 8.5 FEET TO POWER
- * INCLUDES BRACKET FOR MOUNTING
- * MATERIAL: METAL
- * ENVIRONMENT: - 40°C ~ +65°C
- * SOUND PRESSURE : 120-130DB



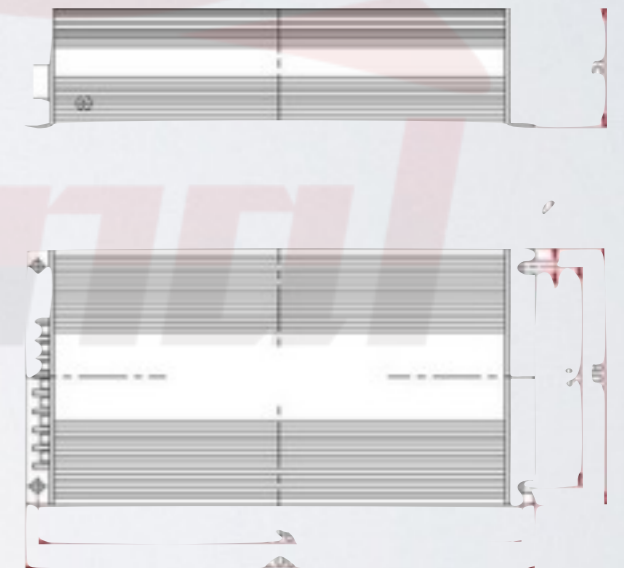
THE 100 WATT SIREN PROVIDES A COMBINATION OF AMPLIFIER AND FACEPLATE IN ONE. PROVIDING A VARIETY OF SIREN TONES PUTTING OUT AN INTENSE 100 WATTS, THIS UNIT GIVE YOU EVERYTHING YOU NEED.

THIS UNIT IS THE PERFECT AND CLASSIC POLICE SIREN FOR ANY EMERGENCY VEHICLE. A SET OF FLAT BRACKETS INCLUDED FOR MOUNTING THIS ITEM, YOU HAVE THE FLEXIBILITY TO MOUNT THIS SIREN SYSTEM ANYWHERE IN THE VEHICLES.

COMBINE THE SIREN SYSTEM WITH ONE OF OUR 100-WATT SPEAKERS TO PRODUCE THE PERFECT EMERGENCY VEHICLE SIREN SYSTEM.

FEATURES:

- * 2 YEAR WARRANTY (OPTIONAL 3 YEAR WARRANTY UPGRADE AVAILABLE)
- * 100 / 150 / 200-WATT SIREN OUTPUT
- * POWERED BY 12V / 24V
- * WEATHER-PROOF HOUSING
- * INDEPENDENT SIREN TONES FOR EASY SELECTION
- * SIREN TONES: WAIL ,YELP, SIREN,HORN,PHASER, TOOL, HORN, HI-LO
- * CLEAR SOUND FREQUENCY
- * INCLUDES 10 FEET OF CABLE TO SPEAKER AND 8.5 FEET TO POWER
- * INCLUDES BRACKET FOR MOUNTING
- * MATERIAL: METAL
- * ENVIRONMENT: - 40°C~ +65°C
- * NET WEIGHT: 1KGS
- * DIMENSIONS: 8.1" L X 4.3" W X 2" H





JBQ-012



FEATURES:

- * 100-WATT SIREN WITH P.A. FEATURES EASY TO USE CONTROLS FOR YOUR LIGHTS AND SIREN
- * 2 YEAR WARRANTY (OPTIONAL 3 YEAR WARRANTY UPGRADE AVAILABLE)
- * 100 / 150-WATT SPEAKER OUTPUT
- * WEATHER-PROOF HOUSING
- * CLEAR SOUND FREQUENCY
- * INCLUDES 1 FEET OF CABLE
- * INCLUDES BRACKET FOR MOUNTING
- * PUSH BUTTON SWITCHES FOR SIREN TONES
- * SIREN TONES INCLUDE: WAIL, YELP, STING, SIREN, HORN, TOOL, HI-LO
- * ENVIRONMENT: - 40°C~ +60°C



LB-1503

THE SIREN SYSTEM IS THE ENGINEERING TEAM AT VEHICLE SIGNAL, TOOK QUALITY, FEATURES, DURABILITY AND AFFORDABILITY INTO GREAT CONSIDERATION WHEN BUILDING THIS UNIQUE AND HIGHLY DESIRED SIREN SYSTEM.

WITH A VARIETY OF SIREN TONES INCLUDING WAIL, YELP, PHASER, HORN, HI-LO AND PA FUNCTIONALITY, THIS EMERGENCY VEHICLE SIREN SYSTEM BLASTS A POWERFUL 100-WATT OUTPUT AND HAS BUILT IN OVERLOAD PROTECTION.

PURCHASE THIS UNIT FOR A FRACTION OF THE COST OF COMPETITORS FULL VEHICLE CONTROL SIREN SYSTEMS AND GET ALL THE FEATURES IF NOT MORE THAN OTHER BRANDS. DON'T FORGET TO ADD THE SIREN SPEAKER SO YOU SYSTEM CAN RUN POWERFUL ENOUGH TO REACH ITS FULL POTENTIAL.

FEATURES:

- * 2 YEAR WARRANTY (OPTIONAL 3 YEAR WARRANTY UPGRADE AVAILABLE)
- * 100 / 150-WATT SPEAKER OUTPUT
- * WEATHER-PROOF HOUSING
- * CLEAR SOUND FREQUENCY
- * INCLUDES 1 FEET OF CABLE
- * INCLUDES BRACKET FOR MOUNTING
- * MATERIAL: ALUMINUM & ABS
- * ENVIRONMENT: - 30°C ~ +65°C



JBQ-013



THE SIREN SYSTEM IS THE ENGINEERING TEAM AT VEHICLE SIGNAL, TOOK QUALITY, FEATURES, DURABILITY AND AFFORDABILITY INTO GREAT CONSIDERATION WHEN BUILDING THIS UNIQUE AND HIGHLY DESIRED SIREN SYSTEM.

WITH A VARIETY OF SIREN TONES INCLUDING WAIL, YELP, PHASER, HORN, HI-LO AND PA FUNCTIONALITY, THIS EMERGENCY VEHICLE SIREN SYSTEM BLASTS A POWERFUL 100-WATT OUTPUT AND HAS BUILT IN OVERLOAD PROTECTION.

PURCHASE THIS UNIT FOR A FRACTION OF THE COST OF COMPETITORS FULL VEHICLE CONTROL SIREN SYSTEMS AND GET ALL THE FEATURES IF NOT MORE THAN OTHER BRANDS. DON'T FORGET TO ADD OUR SIREN SPEAKER SO YOUR SYSTEM CAN RUN POWERFUL ENOUGH TO REACH ITS FULL POTENTIAL.



JBQ-945B

FEATURES:

- * 2 YEAR WARRANTY (OPTIONAL 3 YEAR WARRANTY UPGRADE AVAILABLE)
- * 100 / 150 / 200-WATT SPEAKER OUTPUT
- * WEATHER-PROOF HOUSING
- * CLEAR SOUND FREQUENCY
- * IMPEDANCE: 4,6,8Ω
- * FREQUENCY: 450-1500HZ
- * NET WEIGHT: 1.8KGS
- * MATERIAL: ALUMINUM & ABS
- * ENVIRONMENT: - 30°C~ +65°C

