

Model: SB-100


Dimensions:	Length		Width		Height	
	(mm)	(inch)	(mm)	(inch)	(mm)	(inch)
Booth Exterior	7000	23'2"	5250	17'3"	3600	11'10"
Booth Interior	6900	22'8"	3900	12'10"	2750	10'
Entrance Size			3000	9'10"	2700	8'10"
Personnel Door			800	2'7"	2000	6'7"

Features:	Total Power 10.5 kw (220v /380v)	Noise < 80 db
Frame System	- EPS foam 50mm - for working temperature higher than 80	
Basement System	- 2 rows of grid plates & 3 rows of diamond plates	
Heating System	- Riello Diesel burner 140000 kcal, Oil consumption 4 ~ 5 kg/h - Heating exchanger - stainless steel - Working temperature 50 ~ 60 °C - 8-12 minutes to get to working temperature	
Air System	- 2 sets of intake fans, 4 kw each, air flow 28000 m3/h total - 0.3 m/s air speed	
Filter System	- Dual filtering - primary filter + ceiling filter	
Illumination	- Ceiling LED Lights * 32pcs, 40w each, with Light Fixtures, anti-explosion design - Side LED lights * 32 pcs, 40w each, with Light Fixtures, anti-explosion design	
E-controlling System	- Spray & Baking Switch, Light Switch, Emergency Stop, Breakdown Alarm	
** Included	- All hardware, fasteners, and sealants, A couple of ramps	
*** Optional	- Infrared Lamp alternative, about 20 kw - Water-proof roof optional for outdoor booth installation.	

AUTO REPAIR EQUIPMENTS

II -BOOTH

www.skymachinery.com

Model: SB-200



Dimensions:	Length		Width		Height	
	(mm)	(inch)	(mm)	(inch)	(mm)	(inch)
Booth Exterior	7000	23'2"	5250	17'3"	3600	11'10"
Booth Interior	6900	22'8"	3900	12'10"	2750	10'
Entrance Size			3000	9'10"	2700	8'10"
Personnel Door			800	2'7"	2000	6'7"

Features:	Total Power 14.5 kw (220v /380v)	Noise < 80 db
Frame System	- Rockwool 50mm - for working temperature higher than 80	
Basement System	- 2 rows of grid plates & 3 rows of diamond plates	
Heating System	- Riello Diesel burner 200000 kcal, Oil consumption 6 ~ 8 kg/h - Heating exchanger - stainless steel - Working temperature 60 ~ 80 °C - 8-12 minutes to get to working temperature	
Air System	- 2 sets of intake fans, 4 kw each, air flow 28000 m3/h total - 1 set of exhaust fan, 5.5 kw, air flow 14000 m3/h total - 0.3 m/s air speed	
Filter System	- Dual filtering - primary filter + ceiling filter	
Illumination	- Ceiling LED Lights * 32pcs, 40w each, with Light Fixtures, anti-explosion design - Side LED lights * 32 pcs, 40w each, with Light Fixtures, anti-explosion design	
E-controlling System	- Spray & Baking Switch, Light Switch, Emergency Stop, Breakdown Alarm	
** Included	- All hardware, fasteners, and sealants, A couple of ramps	
*** Optional	- Infrared Lamp alternative, about 20 kw - Water-proof roof optional for outdoor booth installation.	

AUTO REPAIR EQUIPMENTS

II-BOOTH

www.skymachinery.com

Model: SB-200A



Dimensions:	Length		Width		Height	
	(mm)	(inch)	(mm)	(inch)	(mm)	(inch)
Booth Exterior	7050	23'2"	5250	17'3"	3600	11'10"
Booth Interior	6900	22'8"	3900	12'10"	2750	10'
Entrance Size			3000	9'10"	2700	8'10"
Personnel Door			800	2'7"	2000	6'7"

Features:	Total Power 17.5 kw (220v /380v)	Noise < 80 db
Frame System	- EPS foam plate 75mm - for working temperature less than 80	
Basement System	- 2 rows of grid plates & 3 rows of diamond plates	
Heating System	<ul style="list-style-type: none"> - Riello Diesel burner 200000 kcal, Oil consumption 6 ~ 8 kg/h - Heating exchanger - stainless steel - Working temperature 60 ~ 80 °C - 8-12 minutes to get to working temperature 	
Air System	<ul style="list-style-type: none"> - 1 set of intake fans, 7.5 kw each, air flow 20000 m3/h total - 1 set of exhaust fan, 7.5 kw, air flow 20000 m3/h total - 0.4 m/s air speed 	
Filter System	- Dual filtering - primary filter + ceiling filter	
Illumination	<ul style="list-style-type: none"> - Ceiling LED Lights * 32pcs, 40w each, with Light Fixtures, anti-explosion design - Side LED lights * 32 pcs, 40w each, with Light Fixtures, anti-explosion design 	
E-controlling System	- Spray & Baking Switch, Light Switch, Emergency Stop, Breakdown Alarm	
** Included	- All hardware, fasteners, and sealants, A couple of ramps	
*** Optional	<ul style="list-style-type: none"> - Infrared Lamp alternative, about 20 kw - Water-proof roof optional for outdoor booth installation. 	

AUTO REPAIR EQUIPMENTS

II -BOOTH

www.skymachinery.com

Model: SB-300A



Dimensions:	Length		Width		Height	
	(mm)	(inch)	(mm)	(inch)	(mm)	(inch)
Booth Exterior	8100	26'6"	5250	17'2"	3700	12'1"
Booth Interior	8000	26'2"	4000	13'1"	3000	9'10"
Entrance Size			3000	9'10"	2900	9'6"
Personnel Door			800	2'7"	2000	6'7"

Features:	Total Power 22 kw (220v /380v)	Noise < 80 db
Frame System	- EPS foam plate 50mm - for working temperature less than 80	
Basement System	- 2 rows of grid plates & 3 rows of diamond plates	
Heating System	- Riello Diesel burner 200000 kcal, Oil consumption 12 ~ 14 kg/h - Heating exchanger - stainless steel - Working temperature 60 ~ 80 °C - 8-12 minutes to get to working temperature	
Air System	- 2 sets of intake fans, 5.5 kw each, air flow 14000 m3/h total - 1 set of exhaust fan, 7.5 kw each, air flow 14000 m3/h total - 0.3 m/s air speed	
Filter System	- Dual filtering - primary filter + ceiling filter	
Illumination	- Ceiling LED Lights * 40pcs, 40w each, with Light Fixtures, anti-explosion design - Side LED lights * 40 pcs, 40w each, with Light Fixtures, anti-explosion design	
E-controlling System	- Spray & Baking Switch, Light Switch, Emergency Stop, Breakdown Alarm	
** Included	- All hardware, fasteners, and sealants, A couple of ramps	
*** Optional	- Infrared Lamp alternative, about 20 kw - Water-proof roof optional for outdoor booth installation.	

AUTO REPAIR EQUIPMENTS

II-BOOTH

www.skymachinery.com

Model: SB-300



Dimensions:	Length		Width		Height	
	(mm)	(inch)	(mm)	(inch)	(mm)	(inch)
Booth Exterior	8750	28'8"	5850	19'2"	4300	14'1"
Booth Interior	8600	28'3"	4500	14'9"	3500	11'6"
Entrance Size			3000	9'10"	3500	11'6"
Personnel Door			800	2'7"	2000	6'7"

Features:	Total Power 22 kw (220v /380v)	Noise < 80 db
Frame System	- EPS foam plate 50mm - for working temperature less than 80	
Basement System	- 2 rows of grid plates & 3 rows of diamond plates	
Heating System	- Riello Diesel burner 260000 kcal, Oil consumption 12 ~ 14 kg/h - Heating exchanger - stainless steel - Working temperature 60 ~ 80 °C - 30-40 minutes to get to working temperature	
Air System	- 2 sets of intake fans, 5.5 kw each, air flow 30000 m3/h total - 1 set of exhaust fan, 7.5 kw each, air flow 20000 m3/h total - 0.3 m/s air speed	
Filter System	- Dual filtering - primary filter + ceiling filter	
Illumination	- Ceiling LED Lights * 40pcs, 40w each, with Light Fixtures, anti-explosion design - Side LED lights * 40 pcs, 40w each, with Light Fixtures, anti-explosion design	
E-controlling System	- Spray & Baking Switch, Light Switch, Emergency Stop, Breakdown Alarm	
** Included	- All hardware, fasteners, and sealants, A couple of ramps	
*** Optional	- Infrared Lamp alternative, about 20 kw - Water-proof roof optional for outdoor booth installation.	

Model: SB-500


Dimensions:	Length		Width		Height	
	(mm)	(inch)	(mm)	(inch)	(mm)	(inch)
Booth Exterior	15150	49'8"	6500	21'4"	5400	17'9"
Booth Interior	15000	49'3"	5000	16'5"	4800	15'9"
Entrance Size			4000	13'1"	4800	15'9"
Personnel Door			800	2'7"	2000	6'7"

Features:	Total Power 52 kw (220v /380v)	Noise < 80 db
Frame System	- EPS foam plate 75mm - for working temperature less than 80	
Basement System	- No basement, the booth mounts on the concrete ground	
Heating System	- 2 sets of Riello diesel burner 260000 kcal each, Oil consumption 14 ~ 16 kg/h totally - Heating exchanger - stainless steel - Working temperature 60 ~ 80 °C - 8-15 minutes to get to working temperature	
Air System	- 4 sets of 7.5 kw intake fans, air flow 80000 m3/h total - 2 set of exhaust fan, 7.5 kw each, air flow 40000 m3/h total - 0.3 m/s air speed	
Filter System	- Dual filtering - primary filter + ceiling filter	
Illumination	- 16x4 tubes (48" long, 36w lamps) on the ceiling - 16x4 tubes (48" long, 36w lamps) on the wall	
E-controlling System	- Spray & Baking Switch, Light Switch, Emergency Stop, Breakdown Alarm	
** Included	- All hardware, fasteners, and sealants, A couple of ramps	
*** Optional	- Infrared Lamp alternative, about 20 kw - Water-proof roof optional for outdoor booth installation.	

AUTO REPAIR EQUIPMENTS

II-BOOTH

www.skymachinery.com

Model: SBS200



Dimensions:	Length		Width		Height	
	(mm)	(inch)	(mm)	(inch)	(mm)	(inch)
Booth Exterior	7000	23'	3900	13'	2700	8'10"
Booth Interior	6170	20'3"	3886	12'9"	2540	8'4"
Entrance Size			3048	10'	2540	8'4"
Personnel Door			800	2'7-1/2"	2000	6'7"

Features:

1. 24" fan and 3 phase-2hp motor with belts, pulleys and sheaves
2. Filtered entrance doors
3. All 18 gauge galvanized steel construction panels
4. All hardware, fasteners and sealants
5. 16-20" x 20" intake and exhaust filters
6. 6 - 48" 4-tube light fixtures with clear tempered glass
7. Personnel door available

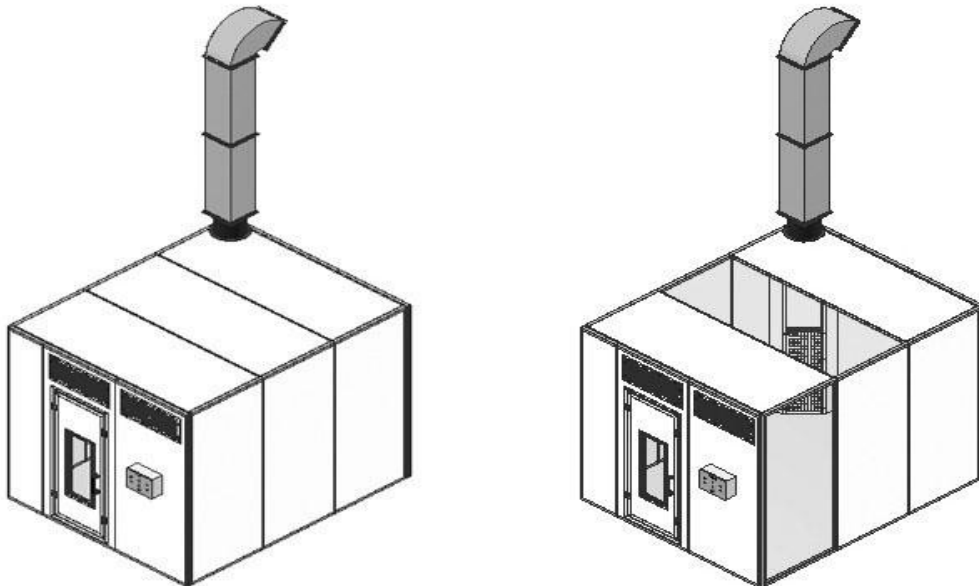
Model: SBS300


Dimensions:	Length		Width		Height	
	(mm)	(inch)	(mm)	(inch)	(mm)	(inch)
Booth Exterior	8153	26'9"	4343	14'3"	2781.	9'1-1/2"
Booth Interior	8077	26'6"	4267	14'	2743	9'
Entrance Size			3048	10'	2743	9'
Personnel Door			800	2' 7-1/2"	2000	6'7"

Features:

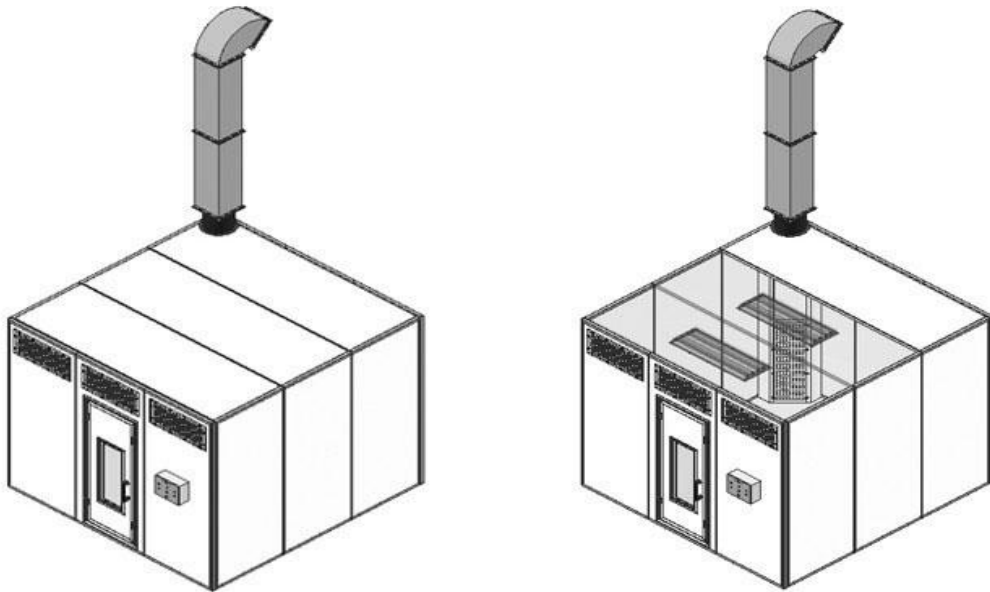
1. 34" fan and 3-phase 3hp motor with belts, pulleys and sheaves
2. Filtered entrance doors
3. 2 light fixtures in rear of booth
4. All 18 gauge galvanized steel construction
5. All hardware, fasteners, and sealants
6. 20" x 20" intake and exhaust filters
7. 10"-48" 4-tube light fixtures with clear tempered glass
8. One personnel door with clear tempered glass
9. Extra long working length for luxury vehicles

Model: SBM-T1



Dimensions:	Length		Width		Height	
	(mm)	(inch)	(mm)	(inch)	(mm)	(inch)
Booth Exterior	2880	9'5"	3570	11' 8-1/2"	2750	10'
Booth Interior	2780	9'2"	3470	11' 4-1/2"	2700	8'10"
Entrance Size			800	2' 7-1/2"	2000	6'7"

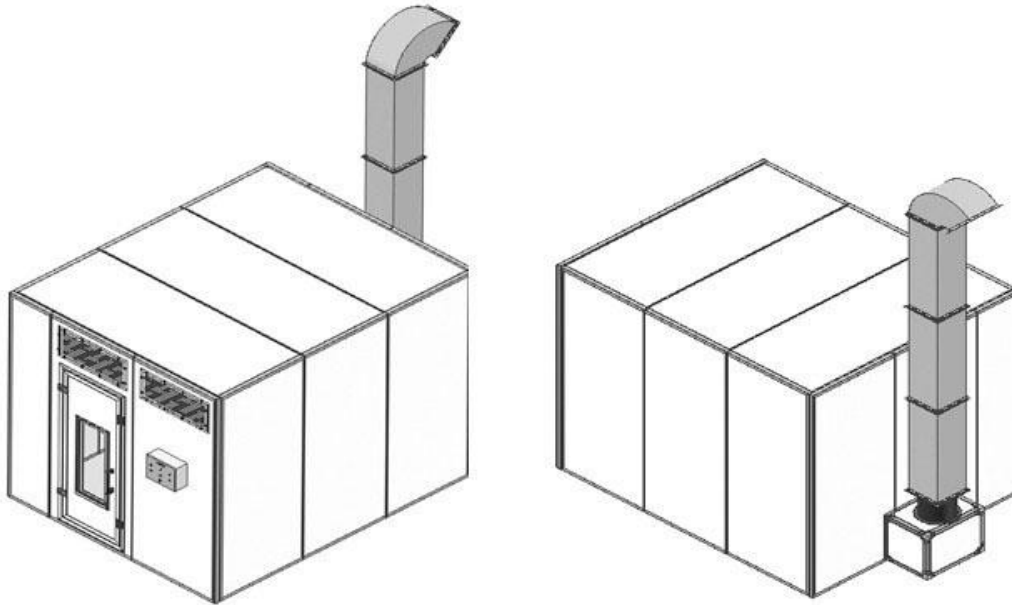
Features:	Total Power 1.1 kw
Frame System	- EPS foam plate 50mm thick
Air System	- 1 set of exhaust fan, 0.75 kw, air flow 2000 m3/h total
	- 2500mm long quadrate shape duct
Filter System	- Dual filtering - primary filter + exhaust filter
Illumination	- 2x4 tubes (36w lamps) on the ceiling
E-controlling System	- Normal relay control, power, light switch, fan operation

Model: SBM-T2


Dimensions:	Length		Width		Height	
	(mm)	(inch)	(mm)	(inch)	(mm)	(inch)
Booth Exterior	3470	11' 4-1/2"	3570	11' 8-1/2"	2750	10'
Booth Interior	3370	11'1"	3470	11' 4-1/2"	2700	8'10"
Entrance Size			800	2' 7-1/2"	2000	6'7"

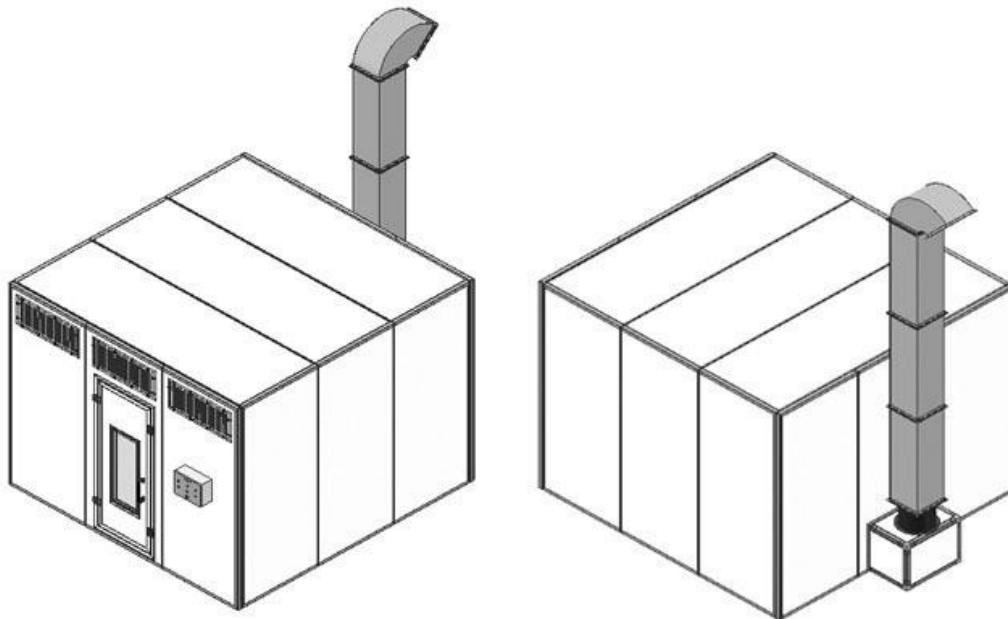
Features:	Total Power 1.5 kw
Frame System	- EPS foam plate 50mm thick
Air System	- 1 set of exhaust fan, 1.1 kw, air flow 3000 m3/h total
	- 2500mm long quadrate shape duct
Filter System	- Dual filtering - primary filter + exhaust filter
Illumination	- 3x4 tubes (36w lamps) on the ceiling
E-controlling System	- Normal relay control, power, light switch, fan operation

Model: SBM-B1



Dimensions:	Length		Width		Height	
	(mm)	(inch)	(mm)	(inch)	(mm)	(inch)
Booth Exterior	2880	9'5"	3570	11' 8-1/2"	2750	10'
Booth Interior	2780	9'2"	3470	11' 4-1/2"	2700	8'10"
Entrance Size			800	2' 7-1/2"	2000	6'7"

Features:	Total Power 1.1 kw
Frame System	- EPS foam plate 50mm thick
Air System	- 1 set of exhaust fan, 0.75 kw, air flow 2000 m3/h total
	- 3750mm long quadrate shape duct
Filter System	- Dual filtering - primary filter + exhaust filter
Illumination	- 2x4 tubes (36w lamps) on the ceiling
E-controlling System	- Normal relay control, power, light switch, fan operation

Model: SBM-B2


Dimensions:	Length		Width		Height	
	(mm)	(inch)	(mm)	(inch)	(mm)	(inch)
Booth Exterior	3470	11' 4-1/2"	3570	11' 8-1/2"	2750	10'
Booth Interior	3370	11'1"	3470	11' 4-1/2"	2700	8'10"
Entrance Size			800	2' 7-1/2"	2000	6'7"

Features:	Total Power 1.5 kw
Frame System	- EPS foam plate 50mm thick
Air System	- 1 set of exhaust fan, 1.1 kw, air flow 3000 m3/h total - 3750mm long quadrate shape duct
Filter System	- Dual filtering - primary filter + exhaust filter
Illumination	- 3x4 tubes (36w lamps) on the ceiling
E-controlling System	- Normal relay control, power, light switch, fan operation

AUTO REPAIR EQUIPMENTS
II-BOOTH

www.skymachinery.com

Model: SPR-300



Dimensions:	Length		Width		Height	
	(mm)	(inch)	(mm)	(inch)	(mm)	(inch)
Booth Exterior	7100	23' 3-1/2"	3700	12' 1-1/2"	3520	11' 6-1/2"
Booth Interior	6000	19' 8"	3480	11' 5"	2700	8'10"

Features:	Total Power: 7 kw	Noise < 80 db
Installation Style	Steel columns supporting.	
Wall	Back	- EPS foam plate 50mm thick
	Front Curtain	- 2pcs, color optional
	Sides Curtain	- 4pcs, color optional
Basement System	Floor	- 5 rows/set, all grid plates
	Ramps	- 2 pieces/set, diamond plates
Filter System	Ceiling Filter	- 4 pieces/set
	Floor Filter	- 5 rows/set
Air System	Fan	- 1 x 5.5kw
	Fan Frame	- Iron frame
	Duct	- Straight ducts & elbows
	Air damper	- Including Air Damper Actuator
Illumination	Ceiling Light	- 8x4 Philips lamps, 36w each
E-control System	- Motor direct start	
** Including	- All hardware, fasteners & sealants	

AUTO REPAIR EQUIPMENTS

II -BOOTH

www.skymachinery.com

Model: SPR-200



Dimensions:	Length		Width		Height	
	(mm)	(inch)	(mm)	(inch)	(mm)	(inch)
Booth Exterior	7100	23' 3-1/2"	3700	12' 1-1/2"	3200	10' 6"
Booth Interior	6000	19' 8"	3480	11' 5"	2700	8'10"

Features:	Total Power: 7 kw	Noise < 80 db
Installation Style	Steel columns supporting.	
Wall	Back	- EPS foam plate 50mm thick
	Front Curtain	- 2pcs, color optional
	Sides Curtain	- 4pcs, color optional
Basement System	- Concrete basement, dig two hole by user - 2 rows/set, all grid plates	
Filter System	Ceiling Filter	- 4 pieces/set
	Floor Filter	- 2 rows/set
Air System	Fan	- 1 x 5.5kw
	Fan Frame	- Iron frame
	Duct	- Straight ducts & elbows
	Air damper	- Including Air Damper Actuator
Illumination	Ceiling Light	- 8x4 Philips lamps, 36w each
E-control System	- Motor direct start	
** Including	- All hardware, fasteners & sealants	

Model: SPR-100

AUTO REPAIR EQUIPMENTS
II-BOOTH

www.skymachinery.com



Dimensions:	Length		Width		Height	
	(mm)	(inch)	(mm)	(inch)	(mm)	(inch)
Booth Exterior	7100	23' 3-1/2"	3700	12' 1-1/2"	3200	10' 6"
Booth Interior	6000	19' 8"	3480	11' 5"	2700	8'10"

Features:	Total Power: 7 kw	Noise < 80 db
Installation Style	Steel columns supporting.	
Wall	Back	- Ventilation through the back wall - EPS foam plate 50mm thick
	Front Curtain	- 2pcs, color optional
	Sides Curtain	- 4pcs, color optional
Basement System	Floor	- Concrete basement
Filter System	Ceiling Filter	- 4 pieces/set
	Floor Filter	- Ventilation through the back wall
Air System	Fan	- 1 x 5.5kw
	Fan Frame	- Iron frame
	Duct	- Straight ducts & elbows
	Air damper	- Including Air Damper Actuator
Illumination	Ceiling Light	- 8x4 Philips lamps, 36w each
E-control System	- Motor direct start	
** Including	- All hardware, fasteners & sealants	