



seawin

COLLECTION 2017



INDEX

INDEX

07	Metro	31	Cosmo	53	Metro Plus - X
11	Metro - F	33	Viva	55	Bravo Plus
13	Flex	35	Nexo	57	Space Plus
15	Hampton	37	Aria	59	Flex Plus
17	Classico	39	Strada	61	Mist Plus
19	Vega	41	Briza Curve	63	Vogue Plus
21	Capri	43	Knox Tub	65	Alumni Plus - F
23	Alumni	45	Metro Neo	66	Sower Bases
25	Alumni - F	47	Bravo Neo		
27	Mara	49	Space Neo		
29	Edge	51	Metro Plus		

ABOUT

US

Sea Win Sanitary Ware Co., LTD is a professional manufacturer of shower and tub doors, shower enclosures and shower bases is located in city of Foshan, Guangdong province. Since its inception in 2010, Sea Win has developed its own and unique collection of products and production infrastructure to be named as one of the most professional shower door manufacturer in China. Our main products are shower and tub doors, shower enclosures and shower bases are sold throughout the country and abroad with main export markets are in North America and Europe. We offer services from a complete design through production, from concept to quality assurance and technical support to meet your expectation of high quality in all aspects of the shower production either it is shower door or shower base. Sea Win proud to employ the most talented professionals in the industry to develop technical, smart and effective products regardless of our customer expertise or experience.



METRO



METRO

This spectacular shower door makes a definite style statement. Contemporary to modern style lovers will delight luxuriously styled door and size variety that will custom to any opening. Clean lines, elegant design, upscale look, open and airy feel will add style to any bathroom space.

FEATURE HIGHLIGHTS

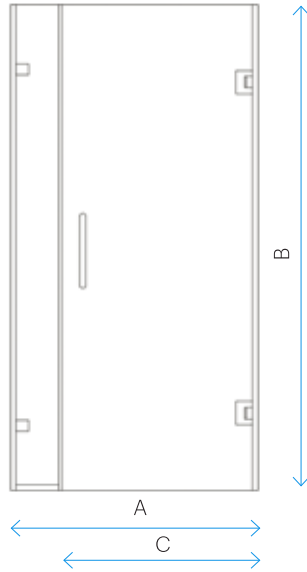
- 3/8 in. (10 mm) tempered glass
- Chrome, Brushed Nickel, Oil Rubbed Bronze and Satin Black hardware finishes available
- Fully frameless glass design
- Solid brass wall mount self-closing hinges
- Up to 1/2 in. out-of-plumb adjustment on all size models
- Reversible for right or left door opening
- Single doors with no stationary panel, 24 in. - 29 1/2 in. wide
- Models from 36 in. - 65 1/2 in. requires support arm for stable structure
- Materials: ANSI certified tempered glass, solid brass hardware
- Studs or reinforcement behind finished walls required for installation

CONFIGURATION 1

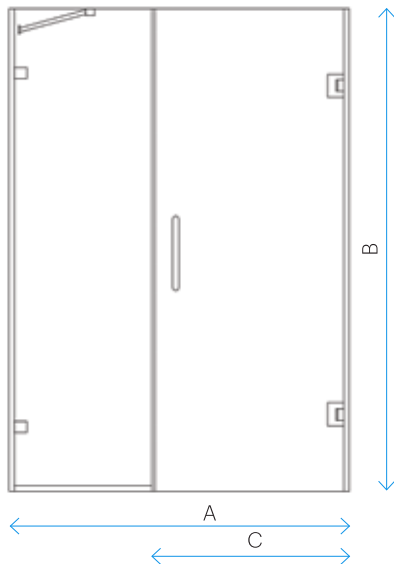


CONFIG.	A	B	CH	BN	RB	SB
1	24 - 24 1/2	72	SW010124001CH	SW010124001BN	SW010124001RB	SW010124001SB
1	24 1/2 - 25	72	SW010124121CH	SW010124121BN	SW010124121RB	SW010124121SB
1	25 - 25 1/2	72	SW010125001CH	SW010125001BN	SW010125001RB	SW010125001SB
1	25 1/2 - 26	72	SW010125121CH	SW010125121BN	SW010125121RB	SW010125121SB
1	26 - 26 1/2	72	SW010126001CH	SW010126001BN	SW010126001RB	SW010126001SB
1	26 1/2 - 27	72	SW010126121CH	SW010126121BN	SW010126121RB	SW010126121SB
1	27 - 27 1/2	72	SW010127001CH	SW010127001BN	SW010127001RB	SW010127001SB
1	27 1/2 - 28	72	SW010127121CH	SW010127121BN	SW010127121RB	SW010127121SB
1	28 - 28 1/2	72	SW010128001CH	SW010128001BN	SW010128001RB	SW010128001SB
1	28 1/2 - 29	72	SW010128121CH	SW010128121BN	SW010128121RB	SW010128121SB
1	29 - 29 1/2	72	SW010129001CH	SW010129001BN	SW010129001RB	SW010129001SB
1	29 1/2 - 30	72	SW010129121CH	SW010129121BN	SW010129121RB	SW010129121SB

CONFIGURATION 2

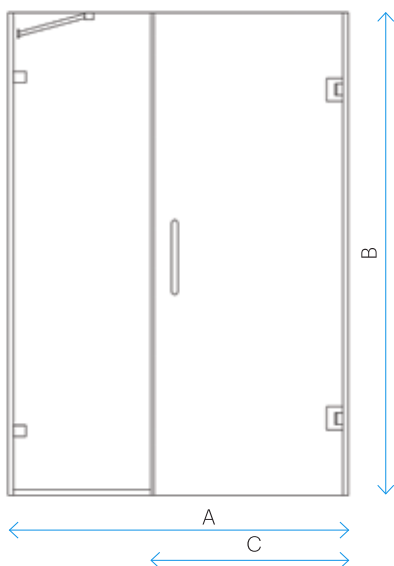


CONFIGURATION 3



CONFIG.	A	B	C	CH	BN	RB	SB
2	30 - 30 1/2	72	24	SW010130001CH	SW010130001BN	SW010130001RB	SW010130001SB
2	30 1/2 - 31	72	24 1/2	SW010130121CH	SW010130121BN	SW010130121RB	SW010130121SB
2	31 - 31 1/2	72	25	SW010131001CH	SW010131001BN	SW010131001RB	SW010131001SB
2	31 1/2 - 32	72	25 1/2	SW010131121BN	SW010131121CH	SW010131121RB	SW010131121SB
2	32 - 32 1/2	72	26	SW010132001BN	SW010132001CH	SW010132001RB	SW010132001SB
2	32 1/2 - 33	72	26 1/2	SW010132121BN	SW010132121CH	SW010132121RB	SW010132121SB
2	33 - 33 1/2	72	27	SW010133001BN	SW010133001CH	SW010133001RB	SW010133001SB
2	33 1/2 - 34	72	27 1/2	SW010133121BN	SW010133121CH	SW010133121RB	SW010133121SB
2	34 - 34 1/2	72	28	SW010134001BN	SW010134001CH	SW010134001RB	SW010134001SB
2	34 1/2 - 35	72	28 1/2	SW010134121BN	SW010134121CH	SW010134121RB	SW010134121SB
2	35 - 35 1/2	72	29	SW010135001BN	SW010135001CH	SW010135001RB	SW010135001SB
2	35 1/2 - 36	72	29 1/2	SW010135121BN	SW010135121CH	SW010135121RB	SW010135121SB
3	36 - 36 1/2	72	24	SW010136001BN	SW010136001CH	SW010136001RB	SW010136001SB
3	36 1/2 - 37	72	24 1/2	SW010136121BN	SW010136121CH	SW010136121RB	SW010136121SB
3	37 - 37 1/2	72	25	SW010137001BN	SW010137001CH	SW010137001RB	SW010137001SB
3	37 1/2 - 38	72	25 1/2	SW010137121BN	SW010137121CH	SW010137121RB	SW010137121SB
3	38 - 38 1/2	72	26	SW010138001BN	SW010138001CH	SW010138001RB	SW010138001SB
3	38 1/2 - 39	72	26 1/2	SW010138121BN	SW010138121CH	SW010138121RB	SW010138121SB
3	39 - 39 1/2	72	27	SW010139001BN	SW010139001CH	SW010139001RB	SW010139001SB
3	39 1/2 - 40	72	27 1/2	SW010139121BN	SW010139121CH	SW010139121RB	SW010139121SB
3	40 - 40 1/2	72	28	SW010140001BN	SW010140001CH	SW010140001RB	SW010140001SB
3	40 1/2 - 41	72	28 1/2	SW010140121BN	SW010140121CH	SW010140121RB	SW010140121SB
3	41 - 41 1/2	72	29	SW010141001BN	SW010141001CH	SW010141001RB	SW010141001SB
3	41 1/2 - 42	72	29 1/2	SW010141121BN	SW010141121CH	SW010141121RB	SW010141121SB
3	42 - 42 1/2	72	24	SW010142001BN	SW010142001CH	SW010142001RB	SW010142001SB
3	42 1/2 - 43	72	24 1/2	SW010142121BN	SW010142121CH	SW010142121RB	SW010142121SB
3	43 - 43 1/2	72	25	SW010143001BN	SW010143001CH	SW010143001RB	SW010143001SB
3	43 1/2 - 44	72	25 1/2	SW010143121BN	SW010143121CH	SW010143121RB	SW010143121SB
3	44 - 44 1/2	72	26	SW010144001BN	SW010144001CH	SW010144001RB	SW010144001SB
3	44 1/2 - 45	72	26 1/2	SW010144121BN	SW010144121CH	SW010144121RB	SW010144121SB
3	45 - 45 1/2	72	27	SW010145001BN	SW010145001CH	SW010145001RB	SW010145001SB
3	45 1/2 - 46	72	27 1/2	SW010145121BN	SW010145121CH	SW010145121RB	SW010145121SB
3	46 - 46 1/2	72	28	SW010146001BN	SW010146001CH	SW010146001RB	SW010146001SB
3	46 1/2 - 47	72	28 1/2	SW010146121BN	SW010146121CH	SW010146121RB	SW010146121SB
3	47 - 47 1/2	72	29	SW010147001BN	SW010147001CH	SW010147001RB	SW010147001SB
3	47 1/2 - 48	72	29 1/2	SW010147121BN	SW010147121CH	SW010147121RB	SW010147121SB
3	48 - 48 1/2	72	24	SW010148001BN	SW010148001CH	SW010148001RB	SW010148001SB

CONFIGURATION 3



CONFIG.	A	B	C	CH	BN	RB	SB
3	47 1/2 - 48	72	29 1/2	SW010147121BN	SW010147121CH	SW010147121RB	SW010147121SB
3	48 - 48 1/2	72	24	SW010148001BN	SW010148001CH	SW010148001RB	SW010148001SB
3	48 1/2 - 49	72	24 1/2	SW010148121BN	SW010148121CH	SW010148121RB	SW010148121SB
3	49 - 49 1/2	72	25	SW010149001BN	SW010149001CH	SW010149001RB	SW010149001SB
3	49 1/2 - 50	72	25 1/2	SW010149121BN	SW010149121CH	SW010149121RB	SW010149121SB
3	50 - 50 1/2	72	26	SW010150001BN	SW010150001CH	SW010150001RB	SW010150001SB
3	50 1/2 - 51	72	26 1/2	SW010150121BN	SW010150121CH	SW010150121RB	SW010150121SB
3	51 - 51 1/2	72	27	SW010151001BN	SW010151001CH	SW010151001RB	SW010151001SB
3	51 1/2 - 52	72	27 1/2	SW010151121BN	SW010151121CH	SW010151121RB	SW010151121SB
3	52 - 52 1/2	72	28	SW010152001BN	SW010152001CH	SW010152001RB	SW010152001SB
3	52 1/2 - 53	72	28 1/2	SW010152121BN	SW010152121CH	SW010152121RB	SW010152121SB
3	53 - 53 1/2	72	29	SW010153001BN	SW010153001CH	SW010153001RB	SW010153001SB
3	53 1/2 - 54	72	29 1/2	SW010153121BN	SW010153121CH	SW010153121RB	SW010153121SB
3	54 - 54 1/2	72	24	SW010154001BN	SW010154001CH	SW010154001RB	SW010154001SB
3	54 1/2 - 55	72	24 1/2	SW010154121BN	SW010154121CH	SW010154121RB	SW010154121SB
3	55 - 55 1/2	72	25	SW010155001BN	SW010155001CH	SW010155001RB	SW010155001SB
3	55 1/2 - 56	72	25 1/2	SW010155121BN	SW010155121CH	SW010155121RB	SW010155121SB
3	56 - 56 1/2	72	26	SW010156001BN	SW010156001CH	SW010156001RB	SW010156001SB
3	56 1/2 - 57	72	26 1/2	SW010156121BN	SW010156121CH	SW010156121RB	SW010156121SB
3	57 - 57 1/2	72	27	SW010157001BN	SW010157001CH	SW010157001RB	SW010157001SB
3	57 1/2 - 58	72	27 1/2	SW010157121BN	SW010157121CH	SW010157121RB	SW010157121SB
3	58 - 58 1/2	72	28	SW010158001BN	SW010158001CH	SW010158001RB	SW010158001SB
3	58 1/2 - 59	72	28 1/2	SW010158121BN	SW010158121CH	SW010158121RB	SW010158121SB
3	59 - 59 1/2	72	29	SW010159001BN	SW010159001CH	SW010159001RB	SW010159001SB
3	59 1/2 - 60	72	29 1/2	SW010159121BN	SW010159121CH	SW010159121RB	SW010159121SB
3	60 - 60 1/2	72	24	SW010160001BN	SW010160001CH	SW010160001RB	SW010160001SB
3	60 1/2 - 61	72	24 1/2	SW010160121BN	SW010160121CH	SW010160121RB	SW010160121SB
3	61 - 61 1/2	72	25	SW010161001BN	SW010161001CH	SW010161001RB	SW010161001SB
3	61 1/2 - 62	72	25 1/2	SW010161121BN	SW010161121CH	SW010161121RB	SW010161121SB
3	62 - 62 1/2	72	26	SW010162001BN	SW010162001CH	SW010162001RB	SW010162001SB
3	62 1/2 - 63	72	26 1/2	SW010162121BN	SW010162121CH	SW010162121RB	SW010162121SB
3	63 - 63 1/2	72	27	SW010163001BN	SW010163001CH	SW010163001RB	SW010163001SB
3	63 1/2 - 64	72	27 1/2	SW010163121BN	SW010163121CH	SW010163121RB	SW010163121SB
3	64 - 64 1/2	72	28	SW010164001BN	SW010164001CH	SW010164001RB	SW010164001SB
3	64 1/2 - 65	72	28 1/2	SW010164121BN	SW010164121CH	SW010164121RB	SW010164121SB
3	65 - 65 1/2	72	29	SW010165001BN	SW010165001CH	SW010165001RB	SW010165001SB
3	65 1/2 - 66	72	29 1/2	SW010165121BN	SW010165121CH	SW010165121RB	SW010165121SB



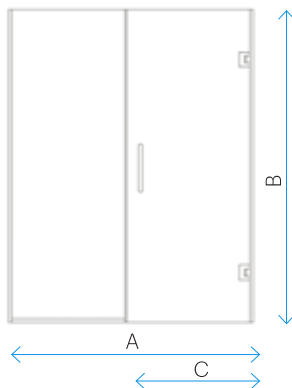
MEIRO-F



METRO-F

FEATURE HIGHLIGHTS

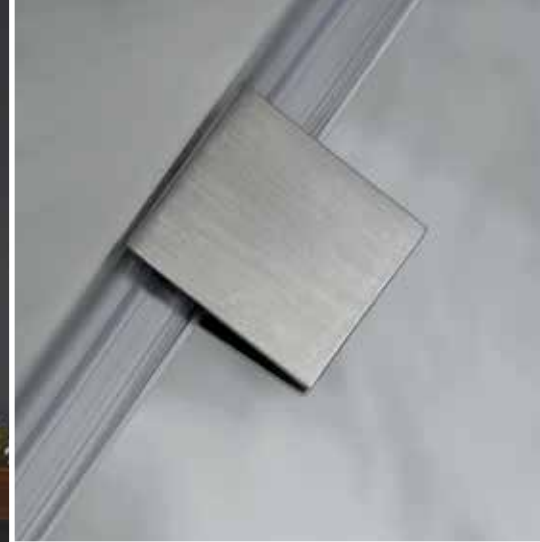
- 3/8 in. (10 mm) tempered glass
- Chrome, Brushed Nickel, Oil Rubbed Bronze and Satin Black hardware finishes available
- Fully frameless glass design
- Solid brass wall mount self-closing hinges
- Up to 1/2 in. out-of-plumb adjustment on all size models
- Reversible for right or left door opening
- Inline panel attached to the wall by a 1 in. anodized aluminum U-channel
- Materials: ANSI certified tempered glass, solid brass hardware
- Studs or reinforcement behind finished walls required for installation
- Models from 42 in. - 66 in. wide include a stationary panel and 2 shelves for stable structure
- Materials: ANSI certified tempered glass, solid brass hardware
- Studs or reinforcement behind finished walls required for installation



A	B	C	CH	BN	RB	SB
42 - 42 1/2	72	24	SW012542001CH	SW012542001BN	SW012542001RB	SW012542001SB
42 1/2 - 43	72	24 1/2	SW012542121CH	SW012542121BN	SW012542121RB	SW012542121SB
43 - 43 1/2	72	25	SW012543001CH	SW012543001BN	SW012543001RB	SW012543001SB
43 1/2 - 44	72	25 1/2	SW012543121CH	SW012543121BN	SW012543121RB	SW012543121SB
44 - 44 1/2	72	26	SW012544001CH	SW012544001BN	SW012544001RB	SW012544001SB
44 1/2 - 45	72	26 1/2	SW012544121CH	SW012544121BN	SW012544121RB	SW012544121SB
45 - 45 1/2	72	27	SW012545001CH	SW012545001BN	SW012545001RB	SW012545001SB
45 1/2 - 46	72	27 1/2	SW012545121CH	SW012545121BN	SW012545121RB	SW012545121SB
46 - 46 1/2	72	28	SW012546001CH	SW012546001BN	SW012546001RB	SW012546001SB
46 1/2 - 47	72	28 1/2	SW012546121CH	SW012546121BN	SW012546121RB	SW012546121SB
47 - 47 1/2	72	29	SW012547001CH	SW012547001BN	SW012547001RB	SW012547001SB
47 1/2 - 48	72	29 1/2	SW012547121CH	SW012547121BN	SW012547121RB	SW012547121SB
48 - 48 1/2	72	24	SW012548001CH	SW012548001BN	SW012548001RB	SW012548001SB
48 1/2 - 49	72	24 1/2	SW012548121CH	SW012548121BN	SW012548121RB	SW012548121SB
49 - 49 1/2	72	25	SW012549001CH	SW012549001BN	SW012549001RB	SW012549001SB
49 1/2 - 50	72	25 1/2	SW012549121CH	SW012549121BN	SW012549121RB	SW012549121SB
50 - 50 1/2	72	26	SW012550001CH	SW012550001BN	SW012550001RB	SW012550001SB
50 1/2 - 51	72	26 1/2	SW012550121CH	SW012550121BN	SW012550121RB	SW012550121SB
51 - 51 1/2	72	27	SW012551001CH	SW012551001BN	SW012551001RB	SW012551001SB
51 1/2 - 52	72	27 1/2	SW012551121CH	SW012551121BN	SW012551121RB	SW012551121SB
52 - 52 1/2	72	28	SW012552001CH	SW012552001BN	SW012552001RB	SW012552001SB
52 1/2 - 53	72	28 1/2	SW012552121CH	SW012552121BN	SW012552121RB	SW012552121SB
53 - 53 1/2	72	29	SW012553001CH	SW012553001BN	SW012553001RB	SW012553001SB
53 1/2 - 54	72	29 1/2	SW012553121CH	SW012553121BN	SW012553121RB	SW012553121SB
54 - 54 1/2	72	24	SW012554001CH	SW012554001BN	SW012554001RB	SW012554001SB
54 1/2 - 55	72	24 1/2	SW012554121CH	SW012554121BN	SW012554121RB	SW012554121SB
55 - 55 1/2	72	25	SW012555001CH	SW012555001BN	SW012555001RB	SW012555001SB
55 1/2 - 56	72	25 1/2	SW012555121CH	SW012555121BN	SW012555121RB	SW012555121SB
56 - 56 1/2	72	26	SW012556001CH	SW012556001BN	SW012556001RB	SW012556001SB
56 1/2 - 57	72	26 1/2	SW012556121CH	SW012556121BN	SW012556121RB	SW012556121SB
57 - 57 1/2	72	27	SW012557001CH	SW012557001BN	SW012557001RB	SW012557001SB
57 1/2 - 58	72	27 1/2	SW012557121CH	SW012557121BN	SW012557121RB	SW012557121SB
58 - 58 1/2	72	28	SW012558001CH	SW012558001BN	SW012558001RB	SW012558001SB
58 1/2 - 59	72	28 1/2	SW012558121CH	SW012558121BN	SW012558121RB	SW012558121SB
59 - 59 1/2	72	29	SW012559001CH	SW012559001BN	SW012559001RB	SW012559001SB
59 1/2 - 60	72	29 1/2	SW012559121CH	SW012559121BN	SW012559121RB	SW012559121SB



FLEX



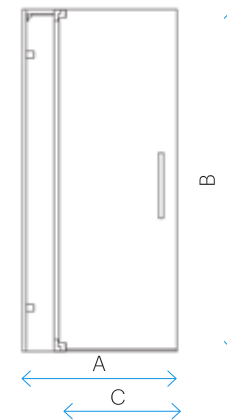
FLEX

The Flex pivot shower door is highly adjustable, it can be easily size customized to fit almost any shower space. The versatile shower door uses an adjustable pivot hardware, for a total of 6 inches in width adjustments for flexible installation.

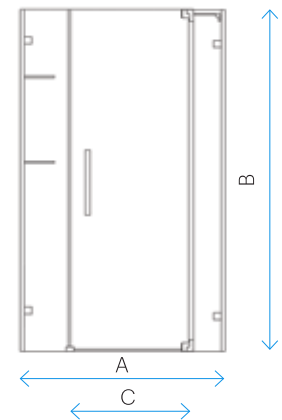
FEATURE HIGHLIGHTS

- 3/8 in. (10 mm) tempered glass
- Chrome, Brushed Nickel, Oil Rubbed Bronze and Satin Black hardware finishes available
- 6 in. (150 mm) width adjustment in pivot hardware
- Fully frameless glass design
- Pivot shower door with solid brass hardware
- Unique adjustable pivot door hardware
- Splash proof threshold to prevent water spillage (minimum threshold depth of 2 in. (50 mm) required)
- Reversible for right or left door opening installation
- Single doors with no stationary panel, 30 in. - 42 in. wide
- Models from 42 in. - 66 in. wide include a stationary panel and 2 shelves for stable structure
- Materials: ANSI certified tempered glass, solid brass hardware
- Studs or reinforcement behind finished walls required for installation

CONFIGURATION 1



CONFIGURATION 2



CONFIG.	A	B	C	CH	BN	RB	SB
1	30 - 36	72	24 - 30	SW010630361CH	SW010630361BN	SW010630361RB	SW010630361SB
2	36 - 42	72	24 - 30	SW010636421CH	SW010636421BN	SW010636421RB	SW010636421SB
2	42 - 48	72	24 - 30	SW010642481CH	SW010642481BN	SW010642481RB	SW010642481SB
2	48 - 54	72	24 - 30	SW010648541CH	SW010648541BN	SW010648541RB	SW010648541SB
2	54 - 60	72	24 - 30	SW010654601CH	SW010654601BN	SW010654601RB	SW010654601SB
2	60 - 66	72	24 - 30	SW010660661CH	SW010660661BN	SW010660661RB	SW010660661SB



HAMPTON



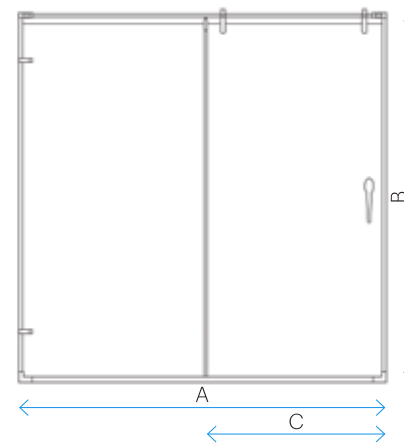
HAMPTON

The Hamptons series is another uniquely designed shower door that will create an iconic masterpiece in your bathroom. Mechanically durable, our frameless shower doors are engineered to last a lifetime.

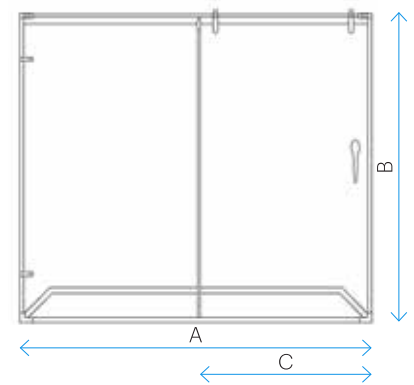
FEATURE HIGHLIGHTS

- Thick 3/8 in. (10 mm) tempered glass
- Stainless Steel and Chrome hardware finishes available
- Fully frameless glass design
- No out-of-plumb installation adjustability
- Clever designed rollers on the top and bottom allowing for effortless sliding operation on a superior solid stainless steel track
- Splash proof threshold to prevent water spillage (minimum threshold depth of 2 3/4 in. (70 mm) required)
- Adjustable down size, by trimming top bar and bottom track by up to 4 in. (100 mm)
- Reversible for right or left door sliding installation
- Materials: ANSI certified tempered glass, solid stainless steel hardware
- Studs or reinforcement behind finished walls required for installation

CONFIGURATION 1



CONFIGURATION 2



CONFIG.	A	B	C	ST	CH
1	44 - 48	76	16 - 20	SW010948761CH	SW010948761ST
1	56 - 60	76	24 - 28	SW010960761CH	SW010960761ST
2	56 - 60	66	24 - 28	SW020960661ST	SW020960661CH



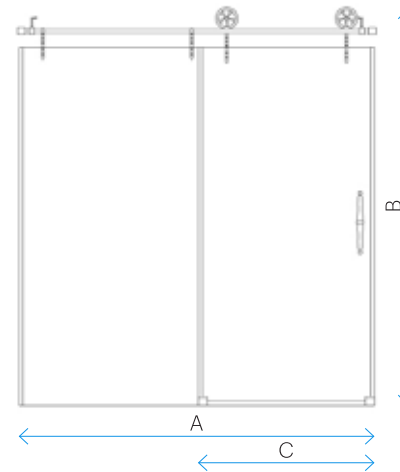
CLASSICO

This extravagant and unique shower door was designed for style lovers that in touch with their inner design. A true center piece for any bathroom, combines art of design and irresistible style.

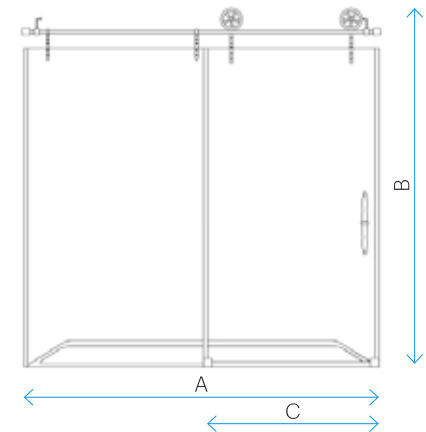
FEATURE HIGHLIGHTS

- Thick 3/8 in. (10 mm) tempered glass
- Stainless Steel and Chrome hardware finishes available
- Fully frameless glass design
- No out-of-plumb installation adjustability
- Large wheels allowing for featherless sliding operation on a superior solid stainless steel track
- Splash proof threshold to prevent water spillage (minimum threshold depth of 3 3/4 in. (95 mm) required)
- Adjustable down size, by trimming top bar by up to 4 in. (100 mm)
- Reversible for right or left door sliding installation
- Materials: ANSI certified tempered glass, solid stainless steel hardware
- Studs or reinforcement behind finished walls required for installation

CONFIGURATION 1



CONFIGURATION 2



CONFIG.	A	B	C	ST	CH
1	44 - 48	78	16 - 20	SW011048781ST	SW011048781CH
1	56 - 60	78	24 - 28	SW011060781ST	SW011060781CH
1	62 - 66	78	27 - 31	SW011066781ST	SW011066781CH
1	68 - 72	78	30 - 34	SW011072781ST	SW011072781CH
2	56 - 60	68	24 - 28	SW021060681ST	SW021060681CH

VEGA



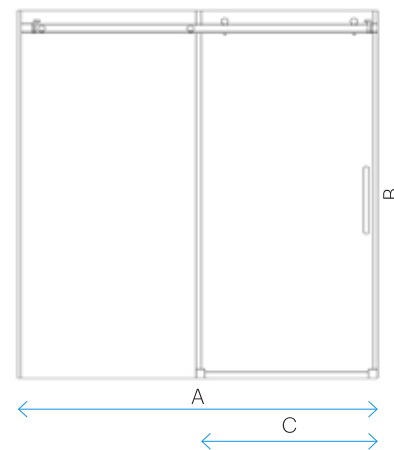
VEGA

The Vega series shower door is stylish yet functional by design. The simplicity of this door forming a luxurious walk-in shower in your bathroom is not only very practical but the ease of walking into your shower with a little effort needs little explanation.

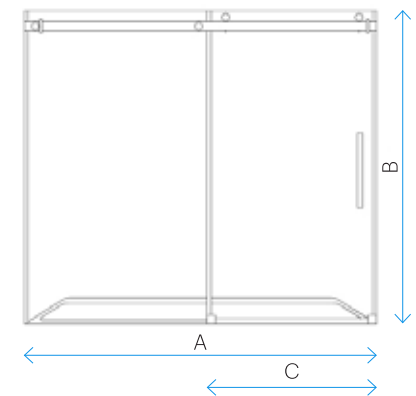
FEATURE HIGHLIGHTS

- 5/16 in. (8 mm) and 3/8 in. (10 mm) tempered glass options available
- Stainless Steel and Chrome hardware finishes available
- Fully frameless glass design
- No out-of-plumb installation adjustability
- Adjustable rollers for smooth sliding
- Splash proof threshold to prevent water spillage (minimum threshold depth of 2 3/4 in. (70 mm) required)
- Adjustable down size, by trimming top bar by up to 4 in. (100 mm)
- Reversible for right or left door sliding installation
- Materials: ANSI certified tempered glass, solid stainless steel hardware
- Studs or reinforcement behind finished walls required for installation

CONFIGURATION 1



CONFIGURATION 2



CONFIG.	A	B	C	GLASS	ST	CH
1	44 - 48	76	16 - 20	3/8 in. (10 mm)	SW011148761ST	SW011148761CH
1	56 - 60	76	24 - 28	3/8 in. (10 mm)	SW011160761ST	SW011160761CH
2	56 - 60	66	24 - 28	3/8 in. (10 mm)	SW021160661ST	SW021160661CH

CONFIG.	A	B	C	GLASS	ST	CH
1	44 - 48	76	16 - 20	5/16 in. (8 mm)	SW011148762ST	SW011148762CH
1	56 - 60	76	24 - 28	5/16 in. (8 mm)	SW011160762ST	SW011160762CH
2	56 - 60	66	24 - 28	5/16 in. (8 mm)	SW021160662ST	SW021160662CH



CAPRI

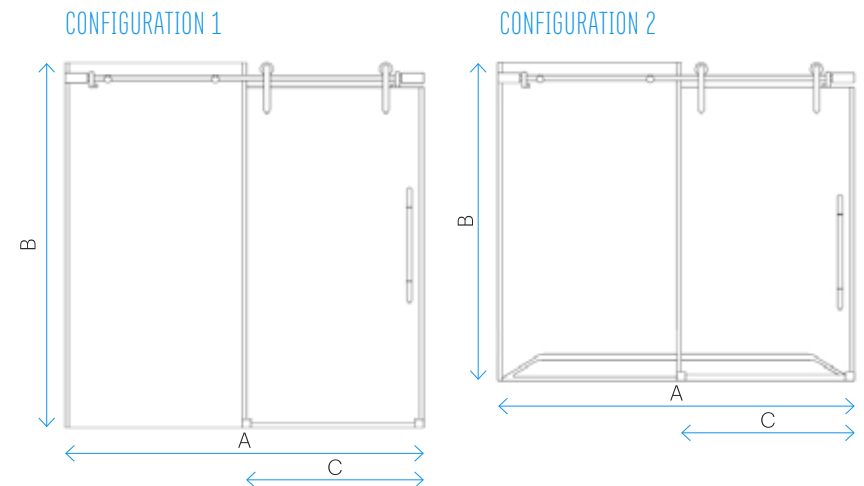


CAPRI

The Capri shower door stuns with an elegant design and details touch. The sophisticated stainless steel hardware is a perfect mix of exceptional quality and cool urban style. 3/8 inch (10 mm) ANSI certified tempered safety glass is one of the toughest you can get.

FEATURE HIGHLIGHTS

- 3/8 in. (10 mm) tempered glass
- Stainless Steel and Chrome hardware finishes available
- Fully frameless glass design
- No out-of-plumb installation adjustability
- Large wheels allowing for featherless sliding operation on a superior solid stainless steel track
- Splash proof threshold to prevent water spillage (minimum threshold depth of 2 3/4 in. (70 mm) required)
- Adjustable down size, by trimming top bar by up to 4 in. (100 mm)
- Reversible for right or left door sliding installation
- Materials: ANSI certified tempered glass, solid stainless steel hardware
- Studs or reinforcement behind finished walls required for installation



CONFIG.	A	B	C	ST	CH
1	44 - 48	76	16 - 20	SW011248761ST	SW011248761CH
1	56 - 60	76	24 - 28	SW011260761ST	SW011260761CH
2	56 - 60	66	24 - 28	SW021260661ST	SW021260661CH



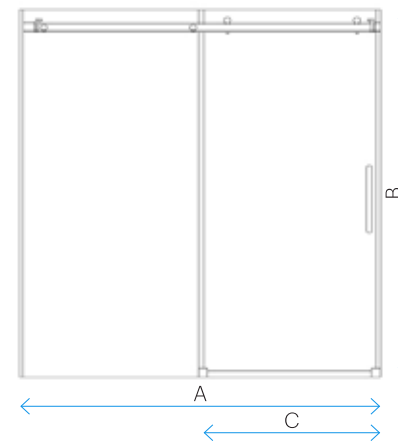
ALUMNI

The Alumni series sliding door is an impressive and highly engineered shower door available in 5/16 inch (8 mm) and 3/8 inch (10 mm) ANSI certified tempered safety glass, 76 inch high for shower door and 66 inch high for tub door. It has a neat closing and smooth gliding action due to adjustable solid stainless steel rollers.

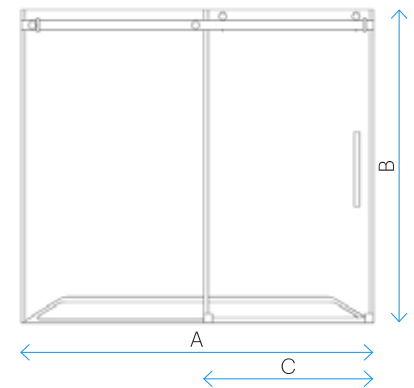
FEATURE HIGHLIGHTS

- 5/16 in. (8 mm) and 3/8 in. (10 mm) tempered glass options available
- Stainless Steel and Chrome hardware finishes available
- Fully frameless glass design
- No out-of-plumb installation adjustability
- Adjustable rollers for smooth sliding
- Splash proof threshold to prevent water spillage (minimum threshold depth of 2 3/4 in. (70 mm) required)
- Adjustable down size, by trimming top bar by up to 4 in. (100 mm)
- Reversible for right or left door sliding installation
- Materials: ANSI certified tempered glass, solid stainless steel hardware
- Studs or reinforcement behind finished walls required for installation

CONFIGURATION 1



CONFIGURATION 2



CONFIG.	A	B	C	GLASS	ST	CH
1	44 - 48	76	16 - 20	3/8 in. (10 mm)	SW011348761ST	SW011348761CH
1	56 - 60	76	24 - 28	3/8 in. (10 mm)	SW011360761ST	SW011360761CH
2	56 - 60	66	24 - 28	3/8 in. (10 mm)	SW021360661ST	SW021360661CH

CONFIG.	A	B	C	GLASS	ST	CH
1	44 - 48	76	16 - 20	5/16 in. (8 mm)	SW011348762ST	SW011348762CH
1	56 - 60	76	24 - 28	5/16 in. (8 mm)	SW011360762ST	SW011360762CH
2	56 - 60	66	24 - 28	5/16 in. (8 mm)	SW021360662ST	SW021360662CH



ALUMINI-F

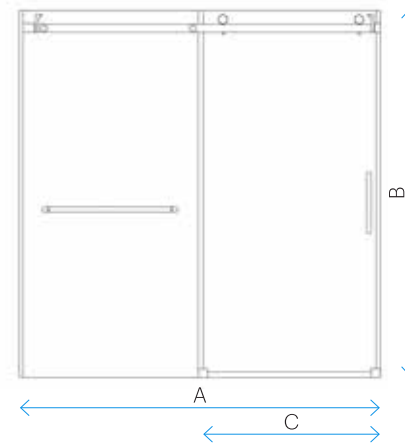


ALUMNI-F

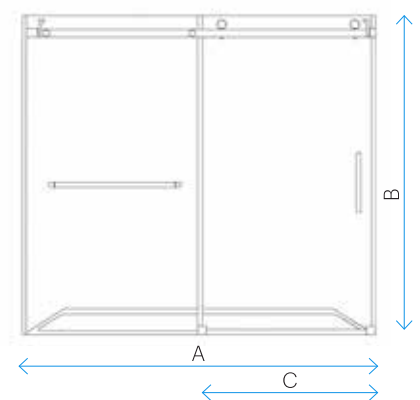
FEATURE HIGHLIGHTS

- 5/16 in. (8 mm) and 3/8 in. (10 mm) tempered glass options available
- Stainless Steel and Chrome hardware finishes available
- Fully frameless glass design
- Up to 1/2 in. out-of-plumb adjustment on all size models
- Adjustable rollers for smooth sliding
- Convenient towel bar on the inline panel
- Splash proof threshold to prevent water spillage (minimum threshold depth of 2 3/4 in. (70 mm) required)
- Adjustable down size, by trimming top bar by up to 4 in. (100 mm)
- Reversible for right or left door sliding installation
- Unti-jumping stoppers to reduce door bouncing during opening and closing
- Inline panel attached to the wall by a 1 in. anodized aluminum U-channel
- Materials: ANSI certified tempered glass, solid stainless steel hardware
- Studs or reinforcement behind finished walls required for installation

CONFIGURATION 1



CONFIGURATION 2

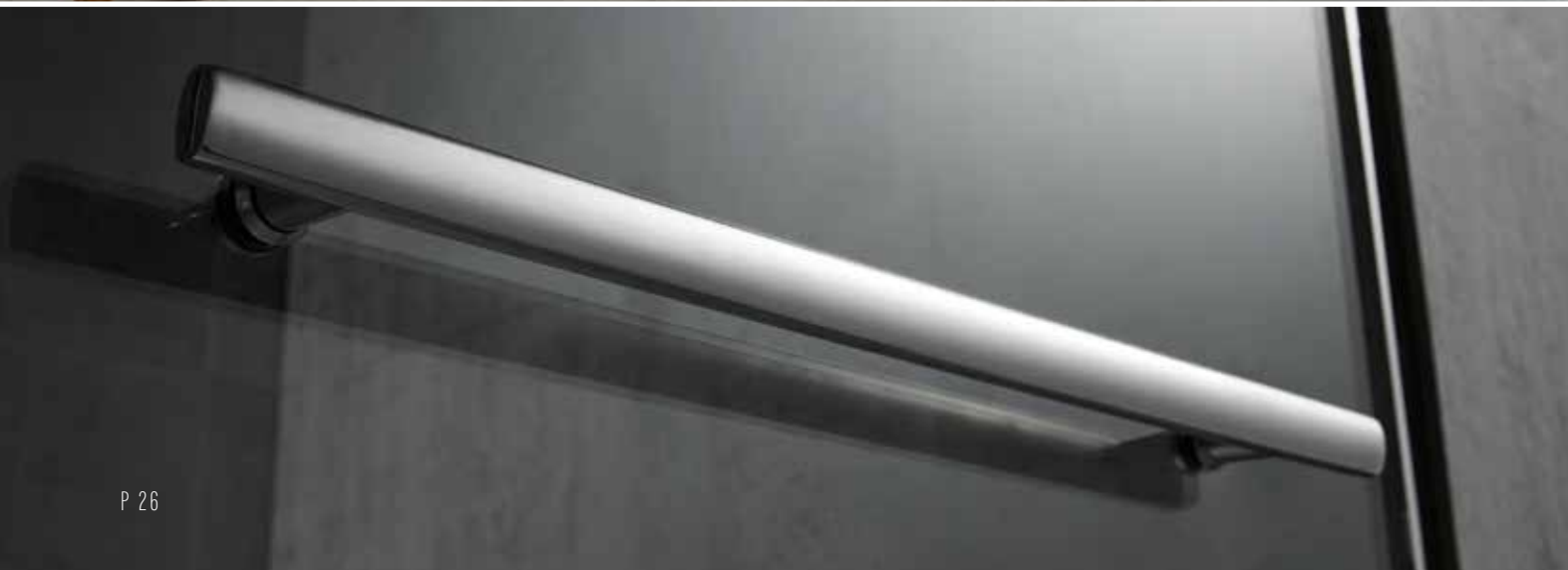


CONFIG.	A	B	C	GLASS	ST	CH
1	44 - 48	76	16 - 20	3/8 in. (10 mm)	SW012448761ST	SW012448761CH
1	56 - 60	76	24 - 28	3/8 in. (10 mm)	SW012460761ST	SW012460761CH
2	56 - 60	66	24 - 28	3/8 in. (10 mm)	SW022460661ST	SW022460661CH

CONFIG.	A	B	C	GLASS	ST	CH
1	44 - 48	76	16 - 20	5/16 in. (8 mm)	SW012448762ST	SW012448762CH
1	56 - 60	76	24 - 28	5/16 in. (8 mm)	SW012460762ST	SW012460762CH
2	56 - 60	66	24 - 28	5/16 in. (8 mm)	SW022460662ST	SW022460662CH



MARA



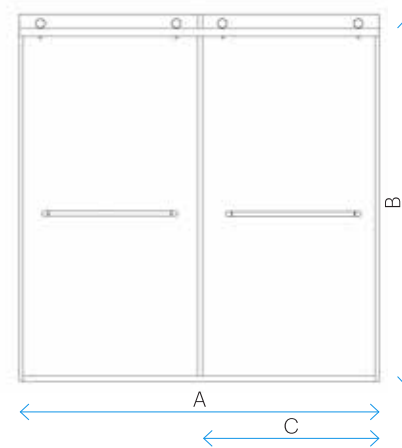
MARA

Mara is a double sliding bypass shower or tub door is another clever and ingenious design idea accomplishes exposed stainless steel rollers gliding on a single track. This functional and stylish door available in 5/16 in. (8 mm) and 3/8 in. (10 mm) ANSI certified tempered glass. Add a modern and functional touch to your bathroom.

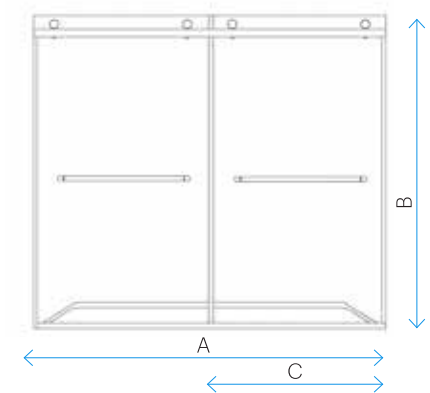
FEATURE HIGHLIGHTS

- 5/16 in. (8 mm) and 3/8 in. (10 mm) tempered glass options available
- Stainless Steel and Chrome hardware finishes available
- Fully frameless glass design
- Wall profile allows for up to 3/8 in. (10 mm) out-of-plumb adjustment
- Double sliding bypass design for left or right side entry
- Equipped rollers with anti-jumping device to prevent doors from sliding off top rail
- 4 stainless steel adjustable up to 1/4 in. (6 mm) rollers for smooth sliding
- Large and functional towel bar styled dual handles
- Splash proof threshold to prevent water spillage (minimum threshold depth of 2 3/4 in. (70 mm) required)
- Adjustable down size, by trimming top bar by up to 4 in. (100 mm)
- Materials: ANSI certified tempered glass, solid stainless steel hardware
- Studs or reinforcement behind finished walls required for installation

CONFIGURATION 1



CONFIGURATION 2



CONFIG.	A	B	C	GLASS	ST	CH
1	44 - 48	76	16 - 20	3/8 in. (10 mm)	SW012148761ST	SW012148761CH
1	56 - 60	76	24 - 28	3/8 in. (10 mm)	SW012160761ST	SW012160761CH
2	56 - 60	66	24 - 28	3/8 in. (10 mm)	SW022160661ST	SW022160661CH

CONFIG.	A	B	C	GLASS	ST	CH
1	44 - 48	76	16 - 20	5/16 in. (8 mm)	SW012148762ST	SW012148762CH
1	56 - 60	76	24 - 28	5/16 in. (8 mm)	SW012160762ST	SW012160762CH
2	56 - 60	66	24 - 28	5/16 in. (8 mm)	SW022160662ST	SW022160662CH



EDGE

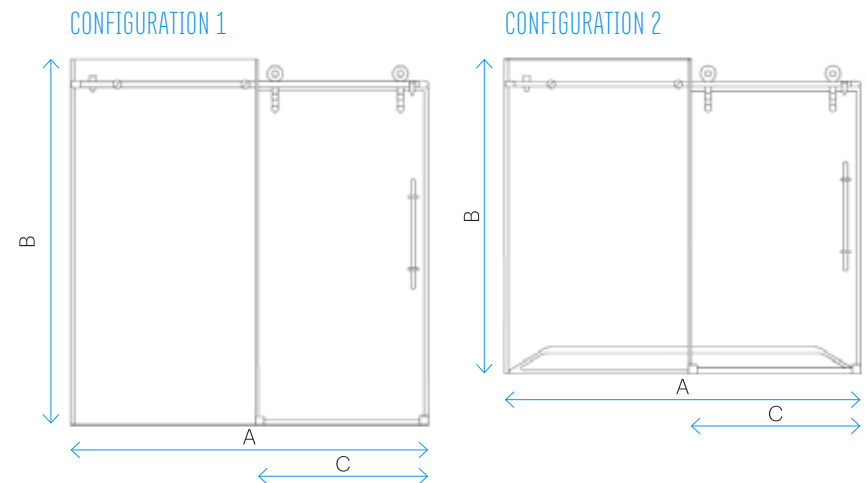


EDGE

Striking in its appearance, the Edge series frameless shower door with rollers and a fixed panel redefines the art of showering with its fusion between stylish beauty and highly engineered practicality!

FEATURE HIGHLIGHTS

- 3/8 in. (10 mm) tempered glass
- Stainless steel and chrome hardware finishes available
- Fully frameless glass design
- No out-of-plumb installation adjustability
- Large stainless steel wheels allowing for featherless sliding operation on a superior stainless steel track
- Splash proof threshold to prevent water spillage (minimum threshold depth of 2 3/8 in. (60 mm) required)
- Suspended design rollers allow for up to 1/2 in. (12 mm) horizontal door adjustment
- Adjustable down size, by trimming top bar by up to 4 in. (100 mm)
- Reversible for right or left door sliding installation
- Materials: ANSI certified tempered glass, solid stainless steel hardware
- Studs or reinforcement behind finished walls required for installation



CONFIG.	A	B	C	ST	CH
1	44 - 48	76	16 - 20	SW011448761ST	SW011448761CH
1	56 - 60	76	24 - 28	SW011460761ST	SW011460761CH
2	56 - 60	66	24 - 28	SW021460661ST	SW021460661CH



COSMO



P 30



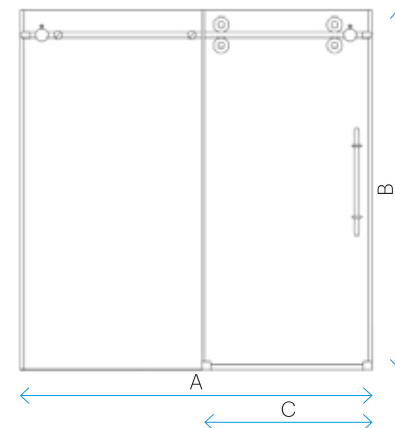
COSMO

The Cosmo series sliding door is bound to impress in any bathroom. It's substantial 3/8 inch (10mm) ANSI certified toughened glass and solid stainless steel hardware construction provides a style statement that befits the beauty of this door.

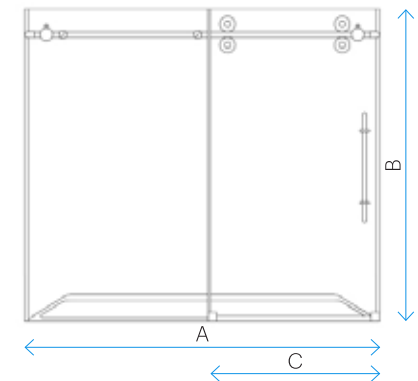
FEATURE HIGHLIGHTS

- 3/8 in. (10 mm) tempered glass
- Stainless Steel and Chrome hardware finishes available
- Fully frameless glass design
- No out-of-plumb installation adjustability
- Adjustable large stainless steel rollers for smooth sliding
- Large wheels allowing for featherless sliding operation on a superior solid stainless steel track
- Splash proof threshold to prevent water spillage (minimum threshold depth of 2 3/4 in. (70 mm) required)
- Adjustable down size, by trimming top bar by up to 4 in. (100 mm)
- Reversible for right or left door sliding installation
- Materials: ANSI certified tempered glass, solid stainless steel hardware
- Studs or reinforcement behind finished walls required for installation

CONFIGURATION 1



CONFIGURATION 2



ST (STAINLESS STEEL)



CH (CHROME)

CONFIG.	A	B	C	ST	CH
1	44 - 48	76	16 - 20	SW011548761ST	SW011548761CH
1	56 - 60	76	24 - 28	SW011560761ST	SW011560761CH
1	62 - 66	76	27 - 31	SW011566761ST	SW011566761CH
1	68 - 72	76	30 - 34	SW011572761ST	SW011572761CH
2	56 - 60	66	24 - 28	SW021560661ST	SW021560661CH



VIVA



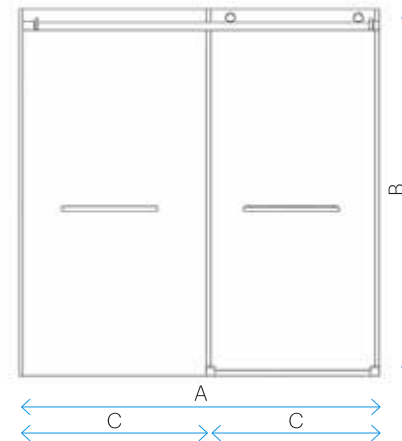
VIVA

Ingenious double bypass sliding design! The Viva familiar but yet so different, it is not your every day shower door. Engineered to perfection with functionality and style in mind. Our original double sliding door action top rail design allows for both doors to slide along the rail. Uni-jumping designed rollers preventing from sliding of top rail. Available in variety of hardware finishes and sizes.

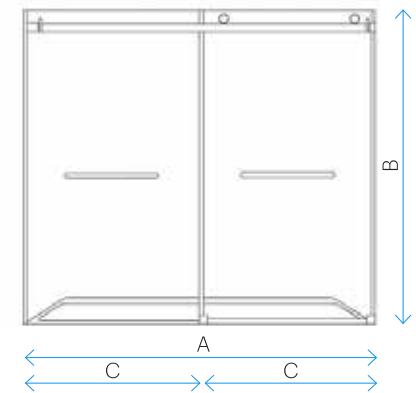
FEATURE HIGHLIGHTS

- 5/16 in. (8 mm) and 3/8 in. (10 mm) tempered glass options available
- Stainless Steel and Chrome hardware finishes available
- Fully frameless glass design
- No out-of-plumb installation adjustability
- Double sliding bypass design for left or right side entry
- Equipped rollers with uni-jumping device to prevent doors from sliding off top rail
- Stainless steel adjustable up to 1/4 in. (6 mm) rollers for smooth sliding
- Large and functional towel bar styled dual handles
- Splash proof threshold to prevent water spillage (minimum threshold depth of 2 3/4 in. (70 mm) required)
- Adjustable down size, by trimming top bar by up to 4 in. (100 mm)
- Materials: ANSI certified tempered glass, solid stainless steel hardware
- Studs or reinforcement behind finished walls required for installation

CONFIGURATION 1



CONFIGURATION 2



CONFIG.	A	B	C	GLASS	ST	CH
1	44 - 48	76	16 - 20	3/8 in. (10 mm)	SW012048761ST	SW012048761CH
1	56 - 60	76	24 - 28	3/8 in. (10 mm)	SW012060761ST	SW012060761CH
2	56 - 60	66	24 - 28	3/8 in. (10 mm)	SW022060661ST	SW022060661CH

CONFIG.	A	B	C	GLASS	ST	CH
1	44 - 48	76	16 - 20	5/16 in. (8 mm)	SW012048762ST	SW012048762CH
1	56 - 60	76	24 - 28	5/16 in. (8 mm)	SW012060762ST	SW012060762CH
2	56 - 60	66	24 - 28	5/16 in. (8 mm)	SW022060662ST	SW022060662CH



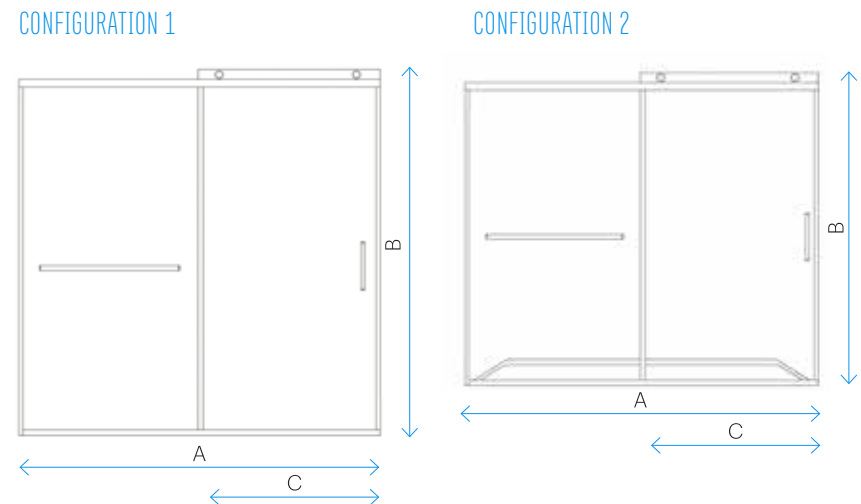
NEXO

With Nexo sliding bypass shower or tub door add style and modern touch with out braking your budget. Fully frameless and modern look will accomplish your goals to turn you shower space in to styled oasis. Available in variety of glass thickness, sizes and hardware finishes.

FEATURE HIGHLIGHTS

- 5/16 in. (8 mm) and 3/8 in. (10 mm) tempered glass options available
- Chrome, Brushed Nickel, Oil Rubbed Bronze and Satin Black hardware finishes available
- Fully frameless glass design
- No out-of-plumb installation adjustability
- Rollers effortlessly slide over anodized aluminum top rail
- Equipped rollers with anti-jumping device to prevent doors from sliding off top rail
- Adjustable rollers up to 1/4 in. (6 mm) for smooth sliding
- Convenient towel bar on the inline panel
- Splash proof threshold to prevent water spillage (minimum threshold depth of 1 3/4 in. (45 mm) required)

- Adjustable down size, by trimming top bar by up to 4 in. (100 mm)
- Reversible for right or left door sliding installation
- Materials: ANSI certified tempered glass, solid stainless steel hardware
- Studs or reinforcement behind finished walls required for installation



CONFIG.	A	B	C	GLASS	CH	BN	RB	SB
1	44 - 48	76	16 - 20	3/8 in. (10 mm)	SW012248761CH	SW012248761BN	SW012248761RB	SW012248761SB
1	56 - 60	76	24 - 28	3/8 in. (10 mm)	SW012260761CH	SW012260761BN	SW012260761RB	SW012260761SB
2	56 - 60	66	24 - 28	3/8 in. (10 mm)	SW022260661CH	SW022260661BN	SW022260661RB	SW022260661SB

CONFIG.	A	B	C	GLASS	CH	BN	RB	SB
1	44 - 48	76	16 - 20	5/16 in. (8 mm)	SW012248762CH	SW012248762BN	SW012248762RB	SW012248762SB
1	56 - 60	76	24 - 28	5/16 in. (8 mm)	SW012260762CH	SW012260762BN	SW012260762RB	SW012260762SB
2	56 - 60	66	24 - 28	5/16 in. (8 mm)	SW022260662CH	SW022260662BN	SW022260662RB	SW022260662SB



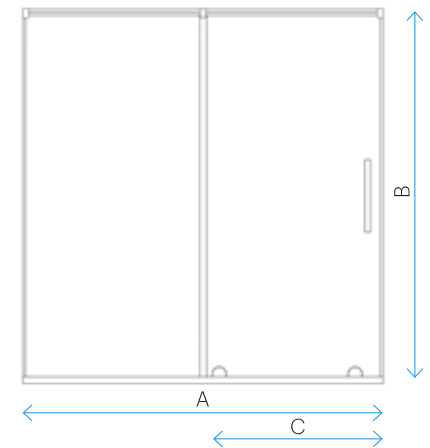
ARIA

Aria series frameless single bypass shower door is the epicor of excellence with a touch of modern. Remarkably simple and innovative design creates suspended glass look, glides effortlessly over superior aluminum track. Compliment your bathroom with style and modern airy feel.

FEATURE HIGHLIGHTS

- 5/16 in. (8 mm) and 3/8 in. (10 mm) tempered glass options available
- Chrome, Brushed Nickel, Oil Rubbed Bronze and Satin Black hardware finishes available
- Fully frameless glass design
- No out-of-plumb installation adjustability
- Clever designed bottom rollers allowing for effortless sliding operation on a superior aluminum track
- Equipped rollers with anti-jumping device to prevent door from sliding off the bottom track
- Bottom rollers adjustable up to 1/4 in. (6 mm) for smooth sliding
- Splash proof threshold to prevent water spillage (minimum threshold depth of 1 3/4 in. (45 mm) required)

- Adjustable down size, by trimming top bar and bottom track by up to 4 in.(100 mm)
- Reversible for right or left door sliding installation
- Materials: ANSI certified tempered glass, solid stainless steel hardware
- Studs or reinforcement behind finished walls required for installation



A	B	C	GLASS	CH	BN	RB	SB
44 - 48	78	16 - 20	3/8 in. (10 mm)	SW012348781CH	SW012348781BN	SW012348781RB	SW012348781SB
56 - 60	78	24 - 28	3/8 in. (10 mm)	SW012360781CH	SW012360781BN	SW012360781RB	SW012360781SB
A	B	C	GLASS	CH	BN	RB	SB
44 - 48	78	16 - 20	5/16 in. (8 mm)	SW012348782CH	SW012348782BN	SW012348782RB	SW012348782SB
56 - 60	78	24 - 28	5/16 in. (8 mm)	SW012360782CH	SW012360782BN	SW012360782RB	SW012360782SB



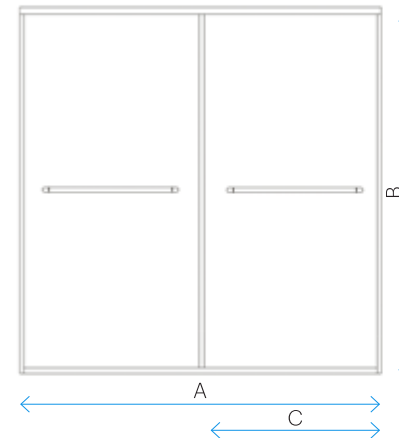
STRADA

Strada series double sliding bypass shower or tub door offers classic style with a touch of elegance. Two sliding doors glide effortlessly on superior anodized aluminum track. Choose your Strada door and add a classic touch to your bathroom space.

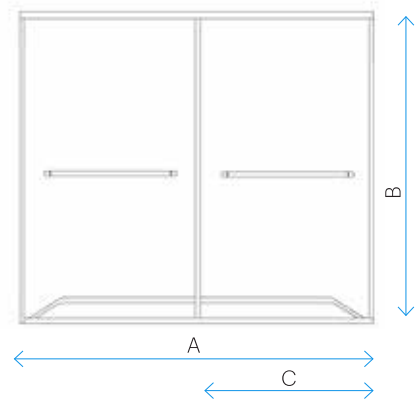
FEATURE HIGHLIGHTS

- 5/16 in. (8 mm) and 3/8 in. (10 mm) tempered glass options available
- Chrome and Brushed Nickel hardware finishes available
- Semi-frameless glass design
- Up to 1/2 in. out-of-plumb adjustment on all size models
- Clever designed rollers allowing for effortless sliding operation on a superior aluminum track
- Large and functional towel bar styled dual handles
- Adjustable down size, by trimming top and bottom track by up to 4 in. (100 mm)
- Double sliding bypass design for left or right side entry
- Materials: ANSI certified tempered glass, solid stainless steel hardware
- Studs or reinforcement behind finished walls required for installation
- Materials: ANSI certified tempered glass, solid stainless steel hardware
- Studs or reinforcement behind finished walls required for installation

CONFIGURATION 1



CONFIGURATION 2



CONFIG.	A	B	C	GLASS	CH	BN
1	44 - 48	72	16 - 20	3/8 in. (10 mm)	SW011748721CH	SW011748721BN
1	56 - 60	72	24 - 28	3/8 in. (10 mm)	SW011760721CH	SW011760721BN
2	56 - 60	58	24 - 28	3/8 in. (10 mm)	SW021760581CH	SW021760581BN

CONFIG.	A	B	C	GLASS	CH	BN
1	44 - 48	72	16 - 20	5/16 in. (8 mm)	SW011748722CH	SW011748722BN
1	56 - 60	72	24 - 28	5/16 in. (8 mm)	SW011760722CH	SW011760722BN
2	56 - 60	58	24 - 28	5/16 in. (8 mm)	SW021760582CH	SW021760582BN



BRIZA CURVE

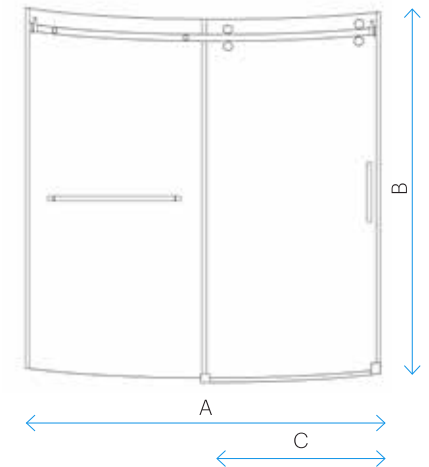


BRIZA CURVE

With Briza Curve series shower door resolve your space constrains, add more space in the center your shower with out increasing footprint on the sides. This elegant and modern shower door will look classy in any shower space.

FEATURE HIGHLIGHTS

- 5/16 in. (8 mm) tempered glass
- Stainless Steel and Chrome hardware finishes available
- Fully frameless glass design
- No out-of-plumb installation adjustability
- Adjustable rollers for smooth sliding
- Convenient towel bar on the inline panel
- Curved design for more elbow space in the middle of the shower
- Splash proof threshold to prevent water spillage (minimum threshold depth of 2 3/4 in. (70 mm) required)
- Adjustable down size, by trimming top bar by up to 4 in. (100 mm)
- Reversible for right or left door sliding installation
- Materials: ANSI certified tempered glass, solid stainless steel hardware
- Studs or reinforcement behind finished walls required for installation



A	B	C	ST	CH
56 - 60	76	24 - 28	SW062660761ST	SW062660761CH



KNOX TUB

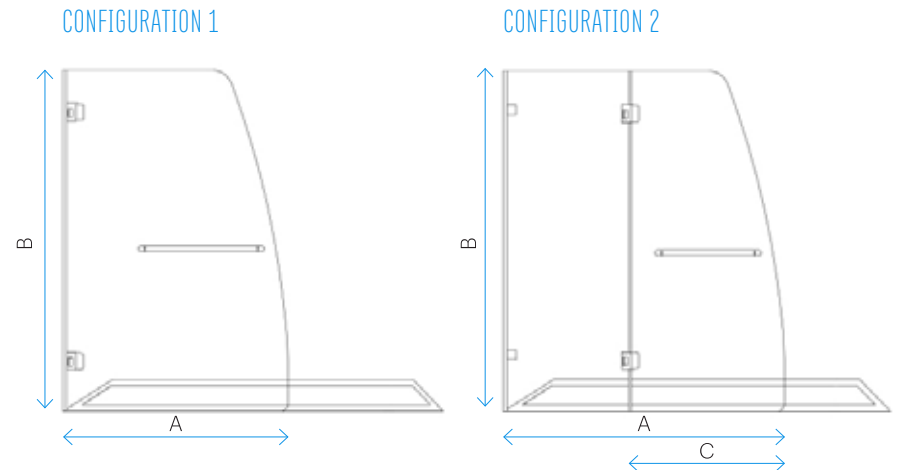


KNOX TUB

The Knox Tub series folding tub door is an ingenious space saving solution for bathrooms with space restrictions. Folding away neatly and elegantly this tub door allows you to double your feeling of space in any small bathroom giving you that extra elbow room you desire.

FEATURE HIGHLIGHTS

- 1/4 in. (6 mm) tempered glass
- Chrome, Brushed Nickel, Oil Rubbed Bronze and Satin Black hardware finishes available
- Fully frameless glass design
- 3/8 in. (10 mm) out-of-plumb adjustment
- Stationary side glass panel for 48 in. width model
- Convenient towel bar on the door outside
- Reversible for right or left door opening installation
- Materials: ANSI certified tempered glass, solid brass hardware
- Studs or reinforcement behind finished walls required for installation



CONFIG.	A	B	C	CH	BN	RB	SB
1	36	58		SWO20236583CH	SWO20236583BN	SWO20236583RB	SWO20236583SB
2	48	58	28	SWO20248583CH	SWO20248583BN	SWO20248583RB	SWO20248583SB



METRO NEO

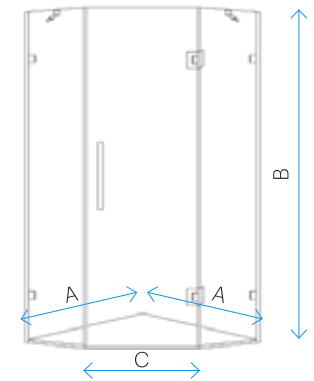


METRO NEO

The Metro Neo series frameless neo-angle corner shower enclosure with updated design transforms your shower into glass masterpiece. Self-closing hinges will last a lifetime to keep your door tightly closed at all times. With a minimal footprint and maximum space this space saving shower solution designed to fit in any bathroom with space restrictions.

FEATURE HIGHLIGHTS

- 3/8 in. (10 mm) tempered glass
- Chrome, Brushed Nickel, Oil Rubbed Bronze and Satin Black hardware finishes available
- Fully frameless glass design
- No out-of-plumb installation adjustability
- Solid brass self-closing hinges
- Splash proof threshold to prevent water spillage
- Reversible for right or left door opening installation
- Materials: ANSI certified tempered glass, solid brass and stainless steel hardware
- Finished walls required for measurement and installation



A	B	C	CH	BN	RB	SB
34 5/16	72	23 5/8	SW040134341CH	SW040134341BN	SW040134341RB	SW040134341SB
36 5/16	72	23 5/8	SW040136361CH	SW040136361BN	SW040136361RB	SW040136361SB
38 5/16	72	23 5/8	SW040138381CH	SW040138381BN	SW040138381RB	SW040138381SB
40 5/16	72	23 5/8	SW040140401CH	SW040140401BN	SW040140401RB	SW040140401SB



BRAVO NEO

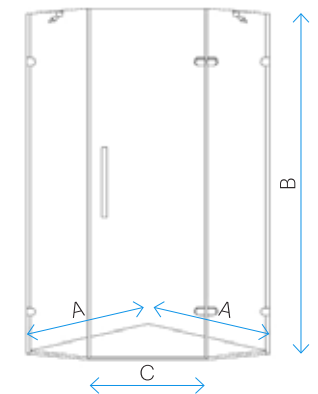


BRAVO NEO

This Bravo Neo shower enclosure is the epitome of space saving solutions without compromising on the beautiful lines of the shower enclosure. This magnificent 3/8 inch (10 mm) ANSI certified tempered safety glass, hinged neo-angle enclosure becomes ideal for any corner setting.

FEATURE HIGHLIGHTS

- 3/8 in. (10 mm) tempered glass
- Chrome, Brushed Nickel, Oil Rubbed Bronze and Satin Black hardware finishes available
- Fully frameless glass design
- No out-of-plumb installation adjustability
- Solid brass hinges
- Splash proof threshold to prevent water spillage
- Reversible for right or left door opening installation
- Materials: ANSI certified tempered glass, solid brass and stainless steel hardware
- Finished walls required for measurement and installation



A	B	C	CH	BN	RB	SB
34 5/16	72	23 5/8	SW040434341CH	SW040434341BN	SW040434341RB	SW040434341SB
36 5/16	72	23 5/8	SW040436361CH	SW040436361BN	SW040436361RB	SW040436361SB
38 5/16	72	23 5/8	SW040438381CH	SW040438381BN	SW040438381RB	SW040438381SB
40 5/16	72	23 5/8	SW040440401CH	SW040440401BN	SW040440401RB	SW040440401SB



SPACE NEO

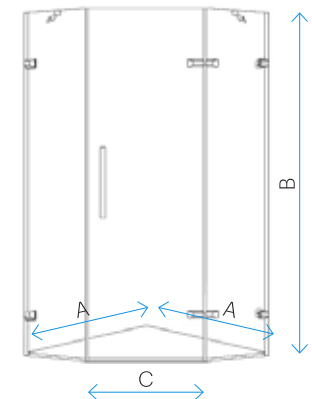


SPACE NEO

The Space Neo series neo-angle shower enclosure has been enhanced with designer hinges and matching handle. Easy access entrance with exceptionally smooth pivot opening this enclosure is affordable yet incredibly stylish.

FEATURE HIGHLIGHTS

- 3/8 in. (10 mm) tempered glass
- Chrome, Brushed Nickel and Oil Rubbed Bronze hardware finishes available
- Fully frameless glass design
- No out-of-plumb installation adjustability
- Solid brass hinges
- Splash proof threshold to prevent water spillage
- Reversible for right or left door opening installation
- Materials: ANSI certified tempered glass, solid brass and stainless steel hardware.
- Finished walls required for measurement and installation



A	B	C	CH	BN	RB	SB
34 5/16	72	23 5/8	SW040534341CH	SW040534341BN	SW040534341RB	SW040534341SB
36 5/16	72	23 5/8	SW040536361CH	SW040536361BN	SW040536361RB	SW040536361SB
38 5/16	72	23 5/8	SW040538381CH	SW040538381BN	SW040538381RB	SW040538381SB
40 5/16	72	23 5/8	SW040540401CH	SW040540401BN	SW040540401RB	SW040540401SB



METRO PLUS

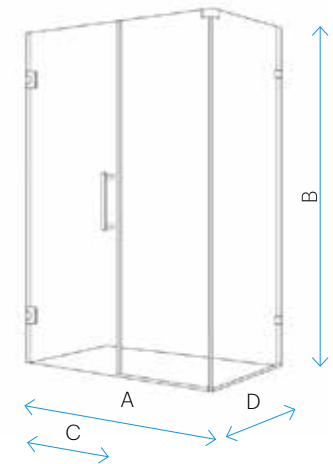


METRO PLUS

An elegant frameless shower enclosure which would suit both contemporary and more traditional styled bathroom. The Metro Plus series frameless pivot door features self closing hinges and magnet seal strips for tighter door water proofing.

FEATURE HIGHLIGHTS

- 3/8 in. (10 mm) tempered glass
- Chrome, Brushed Nickel, Oil Rubbed Bronze and Satin Black hardware finishes available
- Fully frameless glass design
- No out-of-plumb installation adjustability
- Solid brass hinges
- Splash proof threshold to prevent water spillage
- Reversible for right or left door opening installation
- Materials: ANSI certified tempered glass, solid brass and stainless steel hardware
- Studs or reinforcement behind finished walls required for installation



A	B	C	D	CH	BN	RB	SB
30 5/16	72	23 5/8	30 5/16	SW050130301CH	SW050130301BN	SW050130301RB	SW050130301SB
34 5/16	72	23 5/8	34 5/16	SW050134341CH	SW050134341BN	SW050134341RB	SW050134341SB
40 5/16	72	23 5/8	30 5/16	SW050140301CH	SW050140301BN	SW050140301RB	SW050140301SB
46 5/16	72	23 5/8	30 5/16	SW050146301CH	SW050146301BN	SW050146301RB	SW050146301SB
46 5/16	72	23 5/8	34 5/16	SW050146341CH	SW050146341BN	SW050146341RB	SW050146341SB

METRO PLUS-X

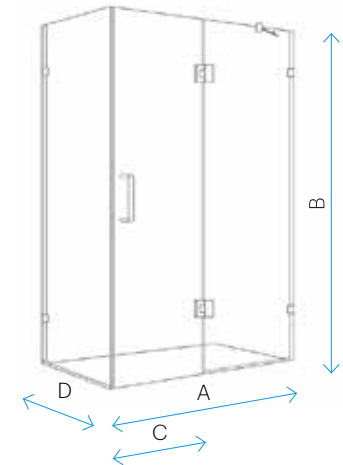


METRO PLUS-X

An elegant frameless shower enclosure which would suit both contemporary and more traditional styled bathroom. The Metro Plus series frameless pivot door features self closing hinges and magnet seal strips for tighter door water proofing.

FEATURE HIGHLIGHTS

- 3/8 in. (10 mm) tempered glass
- Chrome, Brushed Nickel, Oil Rubbed Bronze and Satin Black hardware finishes available
- Fully frameless glass design
- No out-of-plumb installation adjustability
- Solid brass hinges
- Splash proof threshold to prevent water spillage
- Reversible for right or left door opening installation
- Materials: ANSI certified tempered glass, solid brass and stainless steel hardware
- Studs or reinforcement behind finished walls required for installation



A	B	C	D	CH	BN	RB	SB
30 5/16	72	23 5/8	30 5/16	SW052530301CH	SW052530301BN	SW052530301RB	SW052530301SB
34 5/16	72	23 5/8	34 5/16	SW052534341CH	SW052534341BN	SW052534341RB	SW052534341SB
40 5/16	72	23 5/8	30 5/16	SW052540301CH	SW052540301BN	SW052540301RB	SW052540301SB
46 5/16	72	23 5/8	30 5/16	SW052546301CH	SW052546301BN	SW052546301RB	SW052546301SB
46 5/16	72	23 5/8	34 5/16	SW052546341CH	SW052546341BN	SW052546341RB	SW052546341SB



BRAVO PLUS

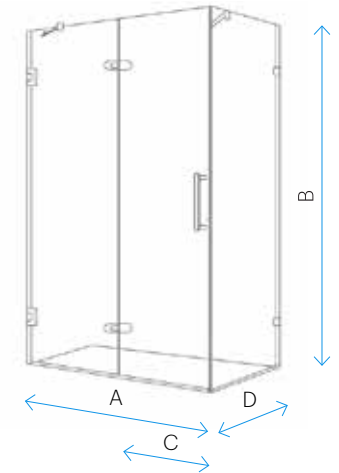


BRAVO PLUS

Beautifully designed Bravo Plus series shower enclosure is available in variety different sizes. All hardware pieces have been meticulously designed to match and compliment each other. This frameless yet water tight enclosure designed to make a signature piece in your bathroom.

FEATURE HIGHLIGHTS

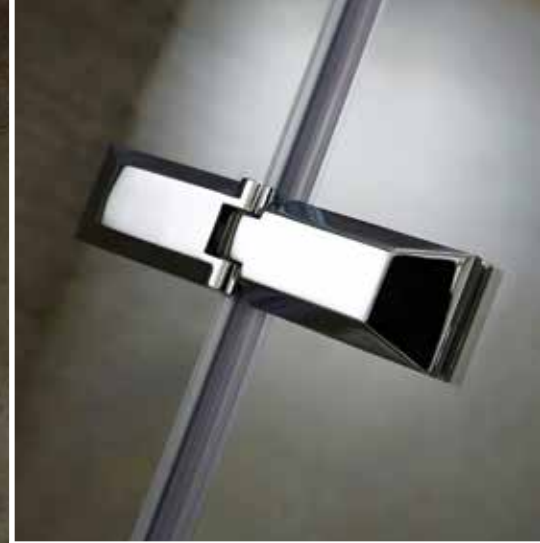
- 3/8 in. (10 mm) tempered glass
- Chrome, Brushed Nickel, Oil Rubbed Bronze and Satin Black hardware finishes available
- Fully frameless glass design
- No out-of-plumb installation adjustability
- Solid brass hinges
- Splash proof threshold to prevent water spillage
- Reversible for right or left door opening installation
- Materials: ANSI certified tempered glass, solid brass and stainless steel hardware.
- Studs or reinforcement behind finished walls required for installation



A	B	C	D	CH	BN	RB	SB
30 5/16	72	23 5/8	30 5/16	SW050430301CH	SW050430301BN	SW050430301RB	SW050430301SB
34 5/16	72	23 5/8	34 5/16	SW050434341CH	SW050434341BN	SW050434341RB	SW050434341SB
40 5/16	72	23 5/8	30 5/16	SW050440301CH	SW050440301BN	SW050440301RB	SW050440301SB
46 5/16	72	23 5/8	30 5/16	SW050446301CH	SW050446301BN	SW050446301RB	SW050446301SB
46 5/16	72	23 5/8	34 5/16	SW050446341CH	SW050446341BN	SW050446341RB	SW050446341SB



SPACE PLUS

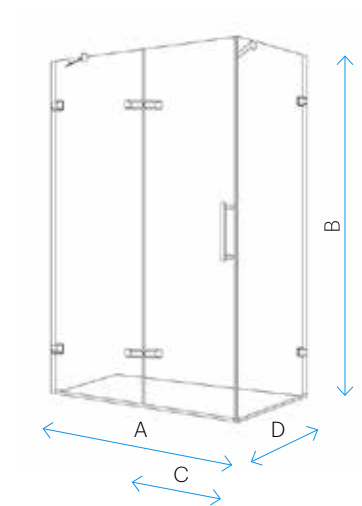


SPACE PLUS

The Metro Plus series hinged shower enclosure features 2 beautifully crafted designer hinges that give this enclosure a stunning frameless and minimalist finish. The stylish yet understated model is flexible in terms of optional sizes and is available in different hardware finishes.

FEATURE HIGHLIGHTS

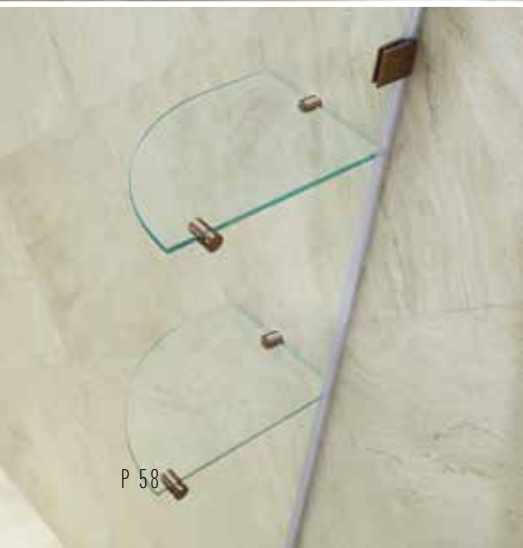
- 3/8 in. (10 mm) tempered glass
- Chrome, Brushed Nickel, Oil Rubbed Bronze and Satin Black hardware finishes available
- Fully frameless glass design
- No out-of-plumb installation adjustability
- Solid brass hinges
- Splash proof threshold to prevent water spillage
- Reversible for right or left door opening installation
- Materials: ANSI certified tempered glass, solid brass and stainless steel hardware
- Studs or reinforcement behind finished walls required for installation



A	B	C	D	CH	BN	RB	SB
30 5/16	72	23 5/8	30 5/16	SW050530301CH	SW050530301BN	SW050530301RB	SW050530301SB
34 5/16	72	23 5/8	34 5/16	SW050534341CH	SW050534341BN	SW050534341RB	SW050534341SB
40 5/16	72	23 5/8	30 5/16	SW050540301CH	SW050540301BN	SW050540301RB	SW050540301SB
46 5/16	72	23 5/8	30 5/16	SW050546301CH	SW050546301BN	SW050546301RB	SW050546301SB
46 5/16	72	23 5/8	34 5/16	SW050546341CH	SW050546341BN	SW050546341RB	SW050546341SB



FLEX PLUS

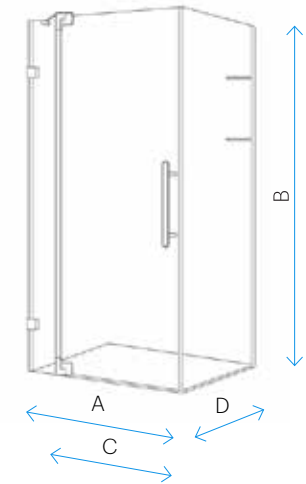


FLEX PLUS

Bringing style into your space has never been simpler. The Flex Plus shower enclosure is perfect for any bathroom project. Its innovative adjustability by 6 inches and shelves usability is ideal.

FEATURE HIGHLIGHTS

- 3/8 in. (10 mm) tempered glass
- Chrome, Brushed Nickel, Oil Rubbed Bronze and Satin Black hardware finishes available
- 6 in. (150 mm) width adjustment in pivot hardware
- Fully frameless glass design
- Pivot shower door with solid brass hardware
- Splash proof threshold to prevent water spillage
- Reversible for right or left door opening installation
- Elegant and useful 2 glass shelves
- Materials: ANSI certified tempered glass, solid brass hardware
- Studs or reinforcement behind finished walls required for installation



A	B	C	D	CH	BN	RB	SB
30 - 36	72	24 - 30	30 5/16	SW050630301CH	SW050630301BN	SW050630301RB	SW050630301SB
30 - 36	72	24 - 30	34 5/16	SW050630341CH	SW050630341BN	SW050630341RB	SW050630341SB
36 - 42	72	24 - 30	30 5/16	SW050636301CH	SW050636301BN	SW050636301RB	SW050636301SB
36 - 42	72	24 - 30	34 5/16	SW050636341CH	SW050636341BN	SW050636341RB	SW050636341SB
42 - 48	72	24 - 30	30 5/16	SW050642301CH	SW050642301BN	SW050642301RB	SW050642301SB
42 - 48	72	24 - 30	34 5/16	SW050642341CH	SW050642341BN	SW050642341RB	SW050642341SB
48 - 54	72	24 - 30	30 5/16	SW050648301CH	SW050648301BN	SW050648301RB	SW050648301SB
48 - 54	72	24 - 30	34 5/16	SW050648341CH	SW050648341BN	SW050648341RB	SW050648341SB
54 - 60	72	24 - 30	30 5/16	SW050654301CH	SW050654301BN	SW050654301RB	SW050654301SB
54 - 60	72	24 - 30	34 5/16	SW050654341CH	SW050654341BN	SW050654341RB	SW050654341SB
60 - 66	72	24 - 30	30 5/16	SW050660301CH	SW050660301BN	SW050660301RB	SW050660301SB
60 - 66	72	24 - 30	34 5/16	SW050660341CH	SW050660341BN	SW050660341RB	SW050660341SB



MIST PLUS

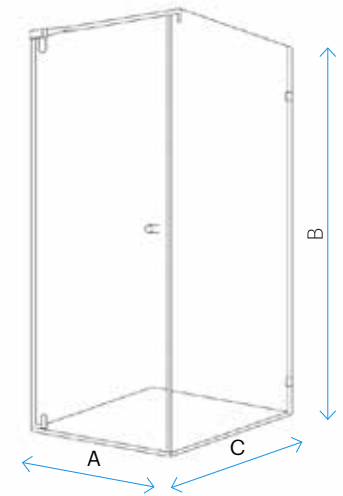


MIST PLUS

The Mist Plus is stylish yet functional by design. Truly frameless enclosure designed with elegance. Combined support arm with hinge brings lightweight, hardware free look guaranteed to make a statement in any bathroom.

FEATURE HIGHLIGHTS

- 3/8 in. (10 mm) tempered glass
- Chrome and Stainless Steel hardware finishes available
- Fully frameless glass design
- No out-of-plumb installation adjustability
- Solid stainless steel hinges
- Elegantly combined support arm with hinge brings lightweight, hardware free look.
- Splash proof threshold to prevent water spillage
- Non reversible door opening
- Materials: ANSI certified tempered glass, solid stainless steel hardware
- Studs or reinforcement behind finished walls required for installation



A	B	C	ST	CH
46 5/16	72	30 5/16	SW050746301ST	SW050746301CH
46 5/16	72	34 5/16	SW050746341ST	SW050746341CH



VOGUE PLUS

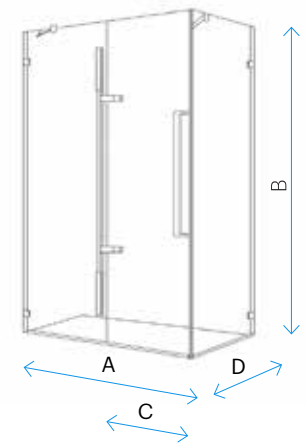


VOGUE PLUS

Step into luxury with the new Vogue Plus shower enclosure. It is not your everyday shower rather a masterpiece that will last a lifetime. Clever designed hinges allow for continues seal strip between door and front panel, make this enclosure effectively water tight.

FEATURE HIGHLIGHTS

- 3/8 in. (10 mm) tempered glass
- Chrome and Stainless Steel hardware finishes available
- Fully frameless glass design
- No out-of-plumb installation adjustability
- Solid stainless steel hinges
- Uniquely designed hinges bringing elegance and style
- Splash proof threshold to prevent water spillage
- Reversible for right or left door opening
- Materials: ANSI certified tempered glass, solid stainless steel hardware
- Studs or reinforcement behind finished walls required for installation



A	B	C	D	ST	CH
46 5/16	72	23 5/8	30 5/16	SW050846301ST	SW050846301CH
46 5/16	72	23 5/8	34 5/16	SW050846341ST	SW050846341CH



ALUMNI PLUS-F

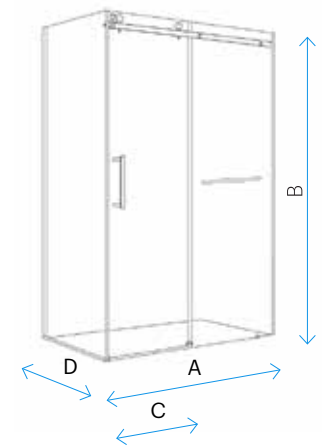


ALUMNI PLUS-F

Alumni Plus-F is extension of Alumni family shower doors designed to shine in a corner setting. The functional and elegant design combined with Alumni style to complete the look of your luxurious bathroom.

FEATURE HIGHLIGHTS

- 3/8 in. (10 mm) tempered glass
- Stainless Steel and Chrome hardware finishes available
- Fully frameless glass design
- Up to 1/2 in. out-of-plumb adjustment on return panel
- Adjustable rollers for smooth sliding
- Convenient towel bar on the inline panel
- Splash proof threshold to prevent water spillage (minimum threshold depth of 2 3/4 in. (70 mm) required)
- Adjustable down size, by trimming top bar by up to 4 in. (100 mm)
- Reversible for right or left corner installation
- Anti-jumping stoppers to reduce door bouncing during opening and closing
- Return panel attached to the wall by a 1 in. anodized aluminum U-channel
- Materials: ANSI certified tempered glass, solid stainless steel hardware
- Studs or reinforcement behind finished walls required for installation



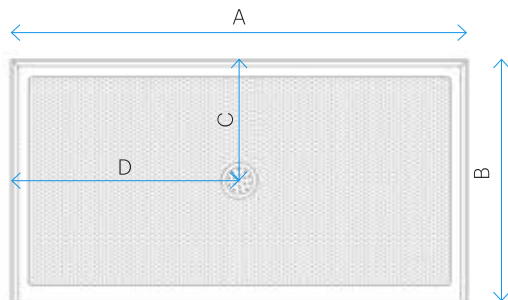
A	B	C	D	ST	CH
42 5/16 - 46 5/16	76	15 - 19	30 5/16	SW052442301ST	SW052442301CH
42 5/16 - 46 5/16	76	15 - 19	34 5/16	SW052442341ST	SW052442341CH

SINGLE THRESHOLD SHOWER BASE



FEATURE HIGHLIGHTS

- High quality scratch and stain resistant acrylic
- Slip-resistant textured floor for safe showering
- 2 3/4 in. (70 mm) height
- Integrated tile flange for easy installation and waterproofing
- Fiberglass reinforcement for durability
- 3-wall alcove installation
- cUPC certified
- Drain not included
- Center drain configuration



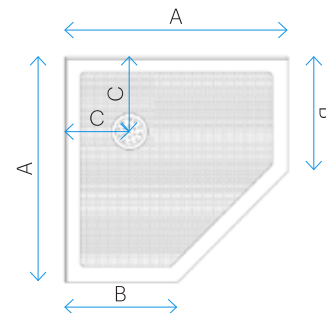
A	B	C	D	WHITE
48	36	18	24	SW07014836W
60	30	15	30	SW07016030W
60	32	16	30	SW07016032W
60	34	17	30	SW07016034W

NEO ANGLE SHOWER BASE



FEATURE HIGHLIGHTS

- High quality scratch and stain resistant acrylic
- Slip-resistant textured floor for safe showering
- 2 3/4 in. (70 mm) height
- Integrated tile flange for easy installation and waterproofing
- Fiberglass reinforcement for durability
- cUPC certified
- Drain not included



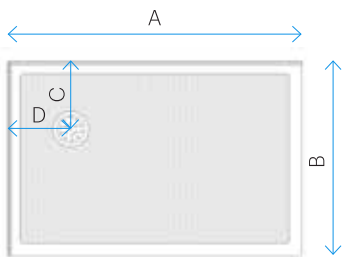
A	B	C	WHITE
36	18 5/16	12	SW07043636W
38	20 5/16	12	SW07043838W
40	22 5/16	14 3/8	SW07044040W
42	24 5/16	14 3/8	SW07044242W

DOUBLE THRESHOLD SHOWER BASE



FEATURE HIGHLIGHTS

- High quality scratch and stain resistant acrylic
- Slip-resistant textured floor for safe showering
- 2 3/4 in. (70 mm) height
- Integrated tile flange for easy installation and waterproofing
- Fiberglass reinforcement for durability
- Right or left corner direction
- 2-wall corner installation
- cUPC certified
- Drain not included



A	B	C	D	DIRECTION	WHITE
32	32	12	12	Reversible	SW07053232W
36	36	12	12	Reversible	SW07053636W
40	32	16	12	Left	SW07054032WL
40	32	16	12	Right	SW07054032WR
48	32	16	12	Left	SW07054832WL
48	32	16	12	Right	SW07054832WR
48	36	18	12	Left	SW07054836WL
48	36	18	12	Right	SW07054836WR

A modern shower enclosure with a glass door and a wooden tub in the foreground. The shower enclosure features a glass door with a horizontal handle and a top rail. The background wall is covered in large, light-colored tiles. In the foreground, there is a wooden tub with a white towel draped over it, and a few bottles of toiletries on top.

seawin

T: +86-757-81163180

E-mail: sales@seawinshower.com

www.seawinshower.com