

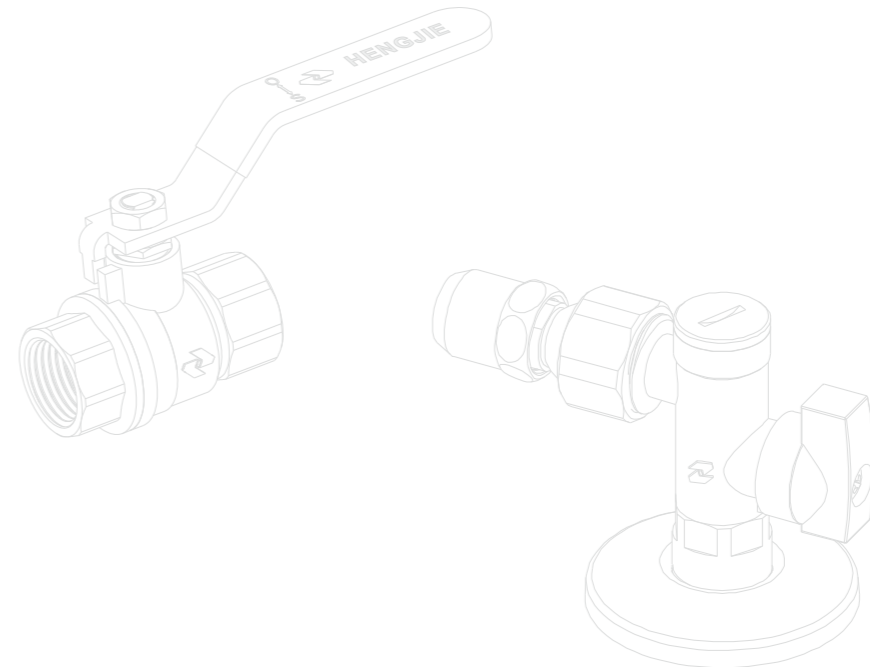
The information provided is for reference only, and are subject to change without further notice. All rights reserved.



VALVES - FITTINGS

# HENGJIE

www.hengjie.com.cn



**ZHEJIANG HENGJIE COPPER INDUSTRY CO., LTD.**

Add: (Qinggang Section) Yuhuan County Sci-Tech Industrial Park, Zhejiang, China

Tel: 0086-576-87121566 87121866

Fax: 0086-576-87121568

P.C.: 317606

Http://www.hengjie.com.cn

E-mail: info@hengjie.com.cn



## HENGJIE

ISO 9001 WRAS NSF ACS CE OHSAS18001 ISO14001 ISO9001

**ZHEJIANG HENGJIE COPPER CO., LTD.**



## INTRODUCTION

HENGJIE is located in Yuhuan Sci-Tech industrial park, Zhejiang Province. It covers an area of 15,000 sq.m and building area of 25,000 sq.m, which annually produce 12,000 tons of brass products.

During the past 20 years, Hengjie has not only been engaged in design, development, production and service of valves, fittings and sanitary wares, but also passed ISO9001-2000 quality control system, ISO 14001 environment protection system and OHSAS18001. Certificate of products include CE , WRAS, ACS,CSA,AB1953 ,NSF and CUPC. Products liability insurance is covered. Moreover, the goods had been exported to the USA,France, Germany ,Italy and Australia, well-received in quality and service from our customers based on our advanced equipments, abundant technical force, outstanding quality, and reliable reputation.

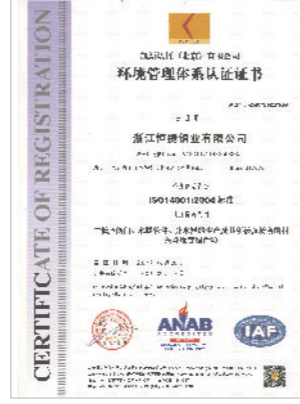
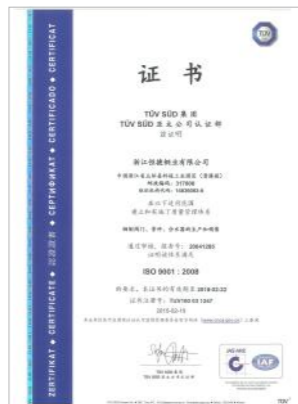
Insisted on Management principle "Be honest Be real Be unremitting Be creative" . Quality guideline: "Keeping improving makes the greatest satisfaction from the clients" ,HENGJIE regard customer's satisfaction as our basic principle.

We sincerely hope to have cooperation with old and new clients for the purpose of mutual development and brilliant future.





NSF ACS CE OHSAS18001 ISO14001 ISO9001



# CONTENTS



**Ball valves** 01-12



**Gate valves** 13-16



**Stop valves** 17-20



**Angle valves** 21-32



**Radiator valves** 33-42



**Check valves & Filter valves** 43-44



**Floating ball valves** 45-46



**Manifolds** 47-50



**Bibcocks** 51-56

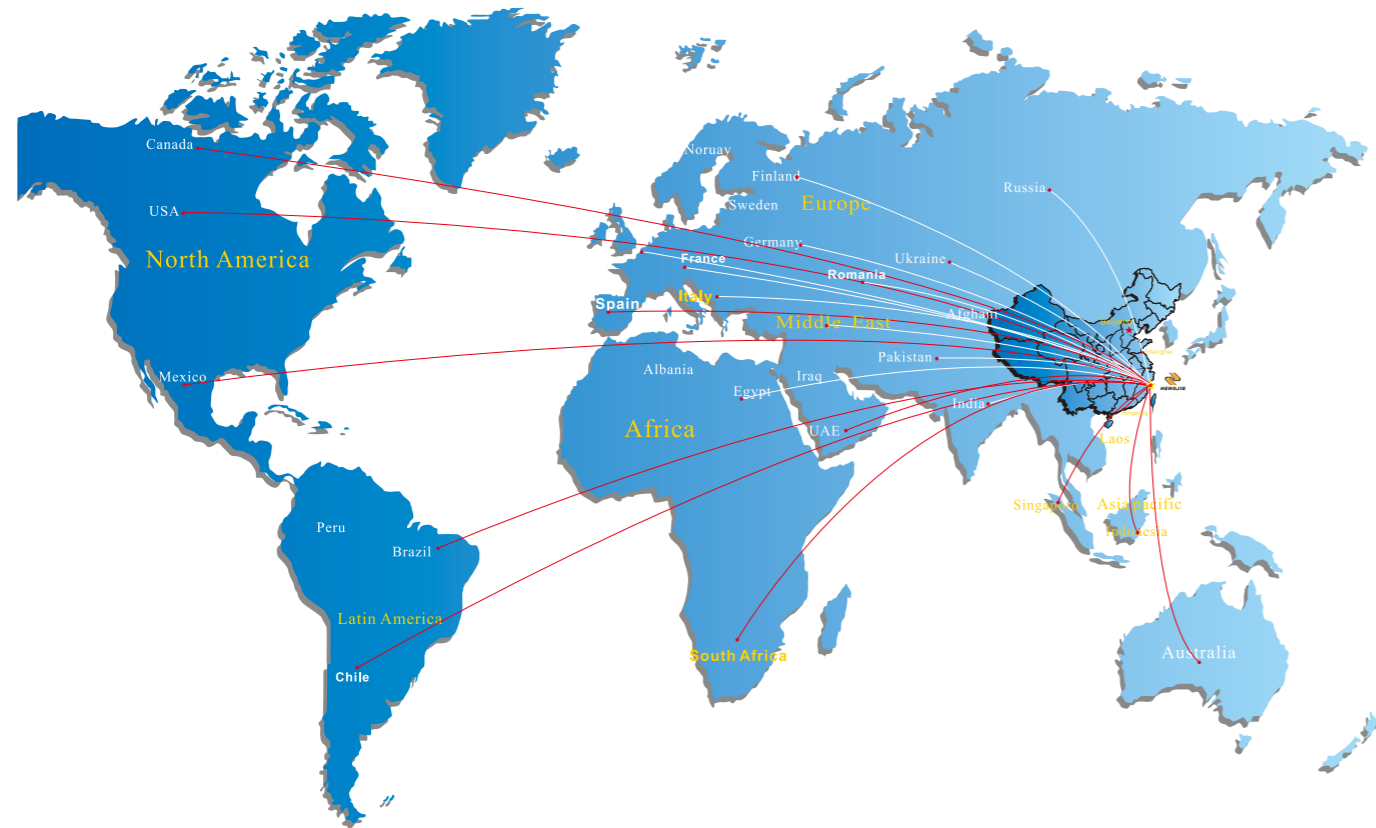


**Fittings** 57-62



**Sanitary wares Accessories** 63-64



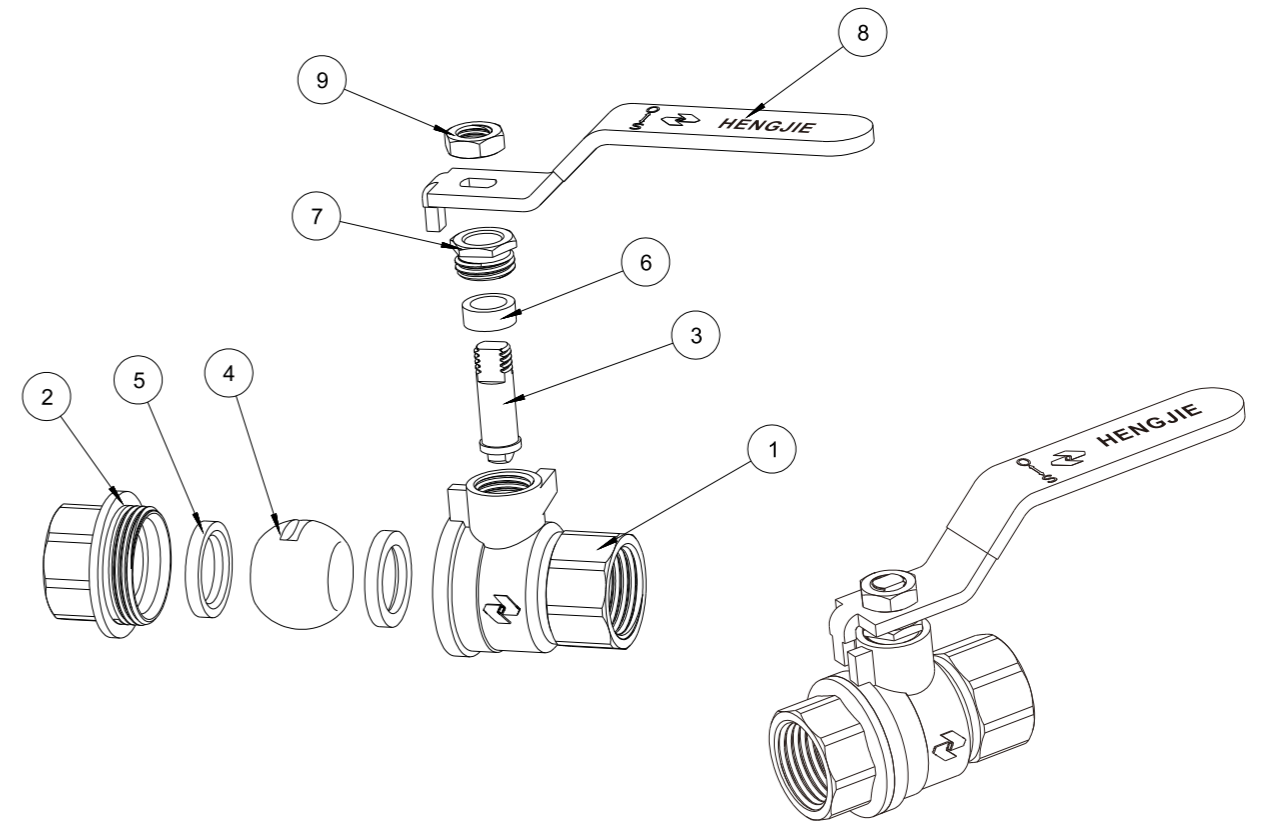


Part market of global sale

# Ball valves

**Technical standard:**

- Testing Pressure:0.6~0.8MPa
- Suitable Medium:Water & Oil & Gas
- Working Temperature:-10°C≤t≤110°C
- Anti-Oxygen Glue Applied To Join Body & Bonnet
- Nickel Plated



| ITEM | COMPONENT    | MATERIAL | N. |
|------|--------------|----------|----|
| 1    | BODY         | BRASS    | 1  |
| 2    | FIXED END    | BRASS    | 1  |
| 3    | STEM         | BRASS    | 1  |
| 4    | BALL         | BRASS    | 1  |
| 5    | SEAT         | P.T.F.E. | 2  |
| 6    | PACKING RING | P.T.F.E. | 1  |
| 7    | NUT          | BRASS    | 1  |
| 8    | HANDLE       | STEEL    | 1  |
| 9    | PACKING NUT  | BRASS    | 1  |



**ART.1186-2**  
Ball valve

**Size:**  
1/2" 3/4" 1"  
1-1/4" 1-1/2" 2"



**ART.1187-2**  
Ball valve

**Size:**  
1/2" 3/4" 1"  
1-1/4" 1-1/2" 2"



**ART.1186**  
Ball valve

**Size:**  
1/2"3/4" 1"  
1-1/4" 1-1/2"2"



**ART.1187**  
Ball valve

**Size:**  
1/2"3/4" 1"  
1-1/4" 1-1/2"2"



**ART.1186-2A**  
Ball valve

**Size:**  
1/2" 3/4" 1"



**ART.1187-2A**  
Ball valve

**Size:**  
1/2" 3/4" 1"



**ART.1130-2**  
Ball valve

**Size:**  
1/2"3/4" 1"  
1-1/4" 1-1/2"2"



**ART.1111-2**  
Ball valve

**Size:**  
1/2"3/4" 1"  
1-1/4" 1-1/2"2"



**ART.1111-2**  
Ball valve

**Size:**  
1/2" 3/4" 1"  
1-1/4" 1-1/2" 2"  
2-1/2" 3" 4"



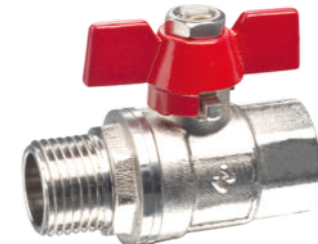
**ART.1130-2**  
Ball valve

**Size:**  
1/2" 3/4" 1"  
1-1/4" 1-1/2" 2"



**ART.1111**  
Ball valve

**Size:**  
1/2"3/4" 1"



**ART.1130**  
Ball valve

**Size:**  
1/2"3/4" 1"



**ART.1111-2A**  
Ball valve

**Size:**  
1/2" 3/4" 1"



**ART.1130-2A**  
Ball valve

**Size:**  
1/2" 3/4" 1"



**ART.1130-1**  
Ball valve

**Size:**  
1/2"3/4" 1"  
1-1/4" 1-1/2"2"



**ART.1111-1**  
Ball valve

**Size:**  
1/2"3/4" 1"  
1-1/4" 1-1/2"2"



**ART.1142**  
Ball valve

**Size:**  
1/2" 3/4" 1"



**ART.1142-2**  
Ball valve

**Size:**  
1/2" 3/4" 1"  
1-1/4" 1-1/2" 2"



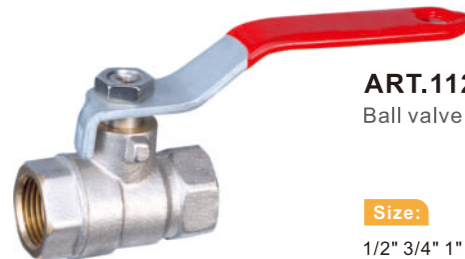
**ART.1107**  
Ball valve

**Size:**  
1/2" 3/4" 1"



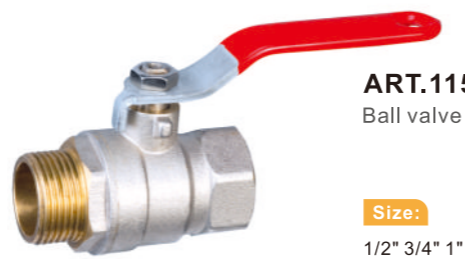
**ART.1108**  
Ball valve

**Size:**  
1/2" 3/4" 1"  
1-1/4" 1-1/2" 2"



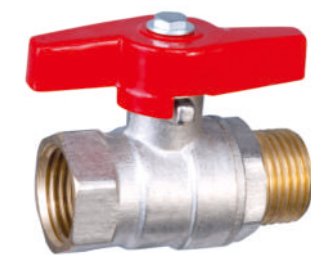
**ART.1125**  
Ball valve

**Size:**  
1/2" 3/4" 1" 1-1/4"  
1-1/2" 2" 2-1/2" 3" 4"



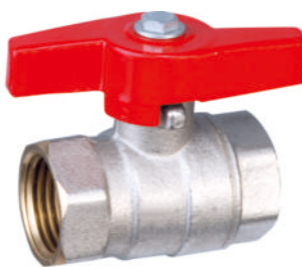
**ART.1154**  
Ball valve

**Size:**  
1/2" 3/4" 1" 1-1/4" 1-1/2"  
2" 2-1/2" 3" 4"



**ART.1151**  
Ball valve

**Size:**  
1/2" 3/4" 1"



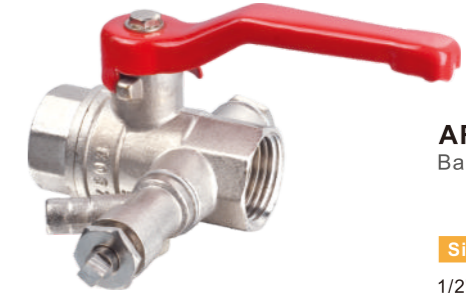
**ART.1152**  
Ball valve

**Size:**  
1/2" 3/4" 1"



**ART.1105**  
Ball valve with drainage

**Size:**  
1/2" 3/4" 1"  
1-1/4" 1-1/2" 2"



**ART.1105-1**  
Ball valve with drainage

**Size:**  
1/2" 3/4" 1"  
1-1/4" 1-1/2" 2"



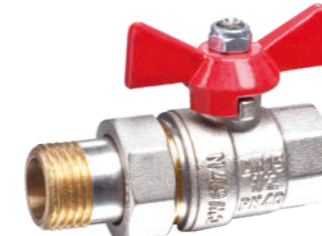
**ART.1153**  
Ball valve with drainage

**Size:**  
1/2" 3/4" 1" 1-1/4"  
1-1/2" 2"



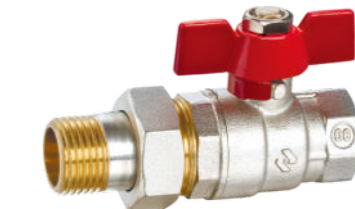
**ART.1189**  
Ball valve with union

**Size:**  
1/2" 3/4" 1"



**ART.1126**  
Ball valve with union

**Size:**  
1/2" 3/4" 1"



**ART.1188**  
Ball valve with union

**Size:**  
1/2" 3/4" 1"  
1-1/4" 1-1/2" 2"



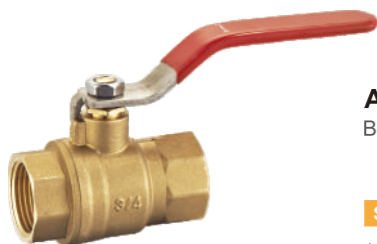
**ART.1126-1**  
Ball valve with union

**Size:**  
3/4" X 3/4" 3/4" X 1"



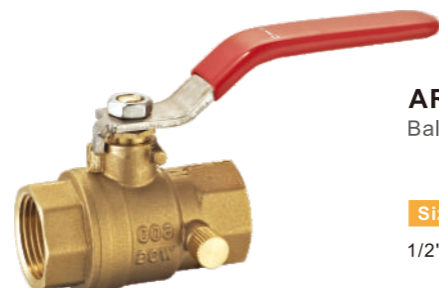
**ART.1188-1**  
Ball valve

**Size:**  
1/2" 3/4" 1"  
1-1/4" 1-1/2" 2"



**ART.1185**  
Ball valve

**Size:**  
1/4" 3/8" 1/2" 3/4" 1"  
1-1/4" 1-1/2" 2" 2-1/2"  
3" 4"



**ART.1185-1**  
Ball valve

**Size:**  
1/2" 3/4" 1"



**ART.1014**  
Pex Ball valve

**Size:**  
3/8" 1/2" 3/4" 1"



**ART.1014-1**  
Pex Ball valve

**Size:**  
3/8" 1/2" 3/4" 1"



**ART.1023**  
Pex Ball valve

**Size:**  
1/2" 3/4" 1"



**ART.1024**  
Pex Ball valve

**Size:**  
1/2" 3/4" 1"



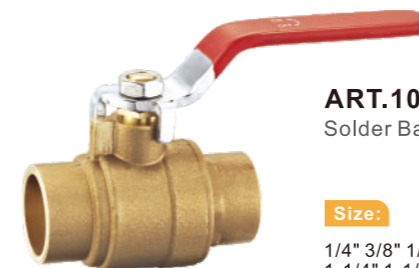
**ART.1801**  
Push-Fit Ball valve

**Size:**  
1/2" 3/4" 1"



**ART.1802**  
Push-Fit Ball valve

**Size:**  
1/2" 3/4" 1"



**ART.1001**  
Solder Ball valve

**Size:**  
1/4" 3/8" 1/2" 3/4" 1"  
1-1/4" 1-1/2" 2" 2-1/2"  
3" 4"



**ART.1001-1**  
Solder Ball valve

**Size:**  
1/2" 3/4" 1"



**ART.1187-1**  
Ball valve

**Size:**  
1/4" 3/8" 1/2" 3/4" 1"  
1-1/4" 1-1/2" 2"



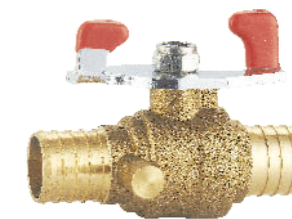
**ART.1022**  
Pex Ball valve

**Size:**  
1/2"pexX3/8"OD  
1/2"pexX1/2"OD  
3/4"pexX3/8"OD



**ART.1018**  
Pex Ball valve

**Size:**  
3/8" 1/2" 3/4" 1"



**ART.1020**  
Pex Ball valve

**Size:**  
3/8" 1/2" 3/4" 1"



**ART.1187-1**  
Ball Valve

**Size:**  
1/4" 3/8" 1/2" 3/4" 1"  
1-1/4" 1-1/2" 2"



**ART.1184**  
Ball valve

**Size:**  
1/2"3/4" 1" 1-1/4"  
1-1/2"2"



**ART.1137**  
Ball valve

**Size:**  
1/2" 3/4" 1" 1-1/4"  
1-1/2" 2" 2-1/2" 3" 4"



**ART.1138**  
Ball valve

**Size:**  
1/2" 3/4" 1" 1-1/4"  
1-1/2" 2"



**ART.1196**  
Thermometric ball valve

**Size:**  
1/2" 3/4" 1" 1-1/4" 1-1/2" 2"



**ART.1196-1**  
Mini ball valve

**Size:**  
1/2" 3/4" 1"



**ART.1191**  
Ball valve

**Size:**  
1/2" 3/4" 1"



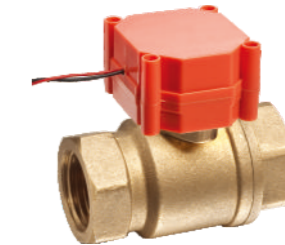
**ART.1192**  
Ball valve with connector

**Size:**  
1/2" 3/4" 1"



**ART.1603**  
Lock up ball valve

**Size:**  
1/2" 3/4" 1" 1-1/4"



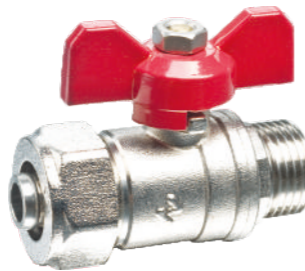
**ART.1011**  
Electric ball valve

**Size:**  
1/2" 3/4" 1"



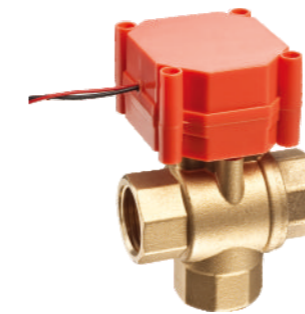
**ART.1190**  
Ball valve

**Size:**  
1/2" 3/4" 1" 1-1/4"



**ART.1022**  
Ball valve with connector

**Size:**  
1/2x16 1/2x20  
3/4x20 3/4x25



**ART.1012**  
Electric ball valve

**Size:**  
1/2" 3/4" 1"



**ART.1157**  
Drain valve

**Size:**  
1/2" 3/4" 1"



**ART.1023**  
Ball valve with connector

**Size:**  
1/2x16 1/2x20  
3/4x20 3/4x25



**ART.1021**

**Size:**  
16X16 20X20 25x25



**ART.1158**  
Drain valve

**Size:**  
1/2"



**ART.1158-1**  
Mini Ball valve

**Size:**  
1/4" NPTx3/4"NH  
3/8" NPTx3/4"NH





**ART.1159**  
Gas ball valve

**Size:**  
1/2" 3/4" 1"



**ART.1159-1**  
Gas ball valve

**Size:**  
1/2"



**ART.1122**  
Gas ball valve

**Size:**  
1/2" 3/4" 1" 1-1/4" 1-1/2"  
2" 2-1/2" 3" 4"



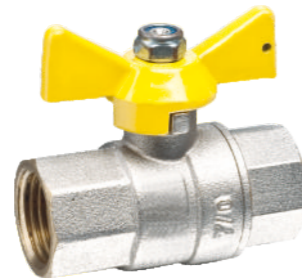
**ART.1101**  
Gas ball valve

**Size:**  
1/2" 3/4" 1" 1-1/4" 1-1/2"  
2" 2-1/2" 3" 4"



**ART.1162**  
Gas ball valve

**Size:**  
1/2" 3/4" 1"



**ART.1003**  
Gas ball valve

**Size:**  
1/2" 3/4" 1"



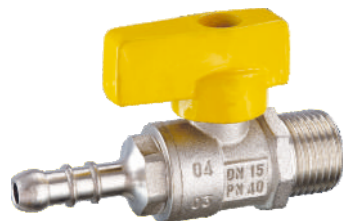
**ART.1132**  
Gas ball valve

**Size:**  
1/2"x1/2"F  
1/2"x3/4"F  
3/4"x1/4"F  
3/4"x3/4"F



**ART.1162-1**

**Size:**  
1/2" 3/4"



**ART.1131**  
Gas ball valve

**Size:**  
1/2"



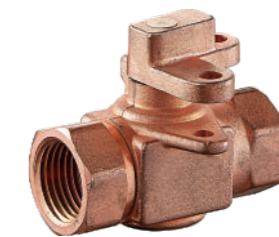
**ART.1133**  
Gas ball valve

**Size:**  
1/2"



**ART.4423-1**

**Size:**  
1/2" 3/4"



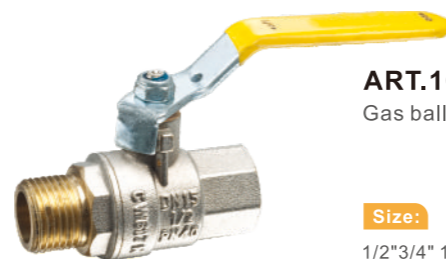
**ART.1162-2**  
Mini ball valve

**Size:**  
1/2" 3/4" 1"



**ART.1176**  
Gas ball valve

**Size:**  
1/2" 3/4" 1"



**ART.1002**  
Gas ball valve

**Size:**  
1/2" 3/4" 1" 1-1/4"  
1-1/2" 2"



**ART.4416**  
Gas ball valve

**Size:**  
1/2" FIPX1/2" FL



**ART.4424**  
Gas ball valve

**Size:**  
1/2" FIPX3/8" FL  
1/2" FIPX1/2" FL  
3/4" FIPX5/8" FL



**ART.1310**  
Mini ball valve

**Size:**  
1/2"



**ART.1308**  
Mini ball valve

**Size:**  
1/4" 3/8" 1/2" 3/4"



**ART.1309**  
Mini ball valve

**Size:**  
1/4" 3/8" 1/2" 3/4"



**ART.1307**  
Mini ball valve

**Size:**  
1/4" 3/8" 1/2" 3/4"



**ART.1025A**  
Ball valve

**Size:**  
1-1/4" 2-1/4" 3"  
3-1/4"



**ART.1025B**  
Ball valve

**Size:**  
1-1/4" 2-1/4" 3"  
3-1/4"



**ART.HJ108**  
Mixer

**Size:**  
1/2" X 1/2" X 1/2"  
3/4" X 3/4" X 3/4"



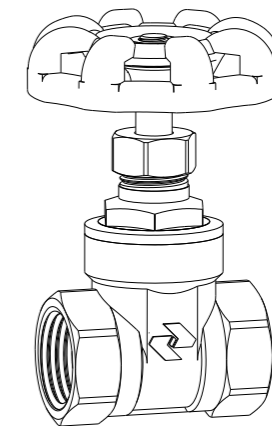
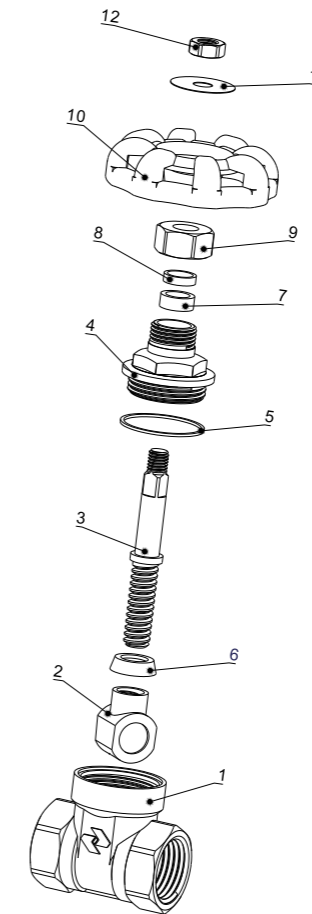
**ART.HJ108C**  
Mixer

**Size:**  
15mmX15mmX15mm  
22mmX22mmX22mm

## Gate valves

### Technical standard:

- Testing Pressure: 1.6MPa
- Suitable Medium: Water & Oil & Gas
- Working Temperature: -20°C ≤ t ≤ 110°C
- Anti-Oxygen Glue Applied To Join Body & Bonnet
- Brass Colour



| ITEM | COMPONENT   | MATERIAL   | N. |
|------|-------------|------------|----|
| 1    | BODY        | BRASS      | 1  |
| 2    | WEDGE       | BRASS      | 1  |
| 3    | STEM        | BRASS      | 1  |
| 4    | BONNET      | BRASS      | 1  |
| 5    | SEALING     | PTFE       | 1  |
| 6    | FIXING NUT  | BRASS      | 1  |
| 7    | STUFF       | PTFE       | 1  |
| 8    | GASKET      | BRASS      | 1  |
| 9    | PACKING NUT | BRASS      | 1  |
| 10   | WHEEL       | CAST STEEL | 1  |
| 11   | NAME PLATE  | ALUMINUM   | 1  |
| 12   | NUT         | BRASS      | 1  |



**ART.2120**  
Gate valve

**Size:**  
1/2" 3/4" 1" 1-1/4"  
1-1/2" 2"



**ART.2121**  
Gate valve

**Size:**  
1/2" 3/4" 1" 1-1/4"  
1-1/2" 2"



**ART.2107**  
Gate valve

**Size:**  
1/2" 3/4" 1" 1-1/4"  
1-1/2" 2" 2-1/2" 3" 4"



**ART.2104**  
Solder gate valve

**Size:**  
1/2" 3/4" 1" 1-1/4"  
1-1/2" 2"



**ART.2124**  
Flange gate valve

**Size:**  
1/2" 3/4" 1" 1-1/4"  
1-1/2" 2" 2-1/2" 3" 4"



**ART.2115**  
Gate valve

**Size:**  
1/2" 3/4" 1" 1-1/4"  
1-1/2" 2" 2-1/2" 3" 4"



**ART.2102**  
Gate valve

**Size:**  
1/2" 3/4" 1" 1-1/4"  
1-1/2" 2" 2-1/2" 3" 4"



**ART.2110**  
Compression Gate valve

**Size:**  
15mm 22mm 28mm  
35mm 42mm 54mm



**ART.2116**  
Gate valve

**Size:**  
1/2" 3/4" 1" 1-1/4"  
1-1/2" 2" 2-1/2" 3" 4"



**ART.2101**  
Gate valve

**Size:**  
1/2" 3/4" 1" 1-1/4"  
1-1/2" 2" 2-1/2" 3" 4"



**ART.2117**  
Bronze solder gate valve

**Size:**  
1/2" 3/4" 1" 1-1/4"  
1-1/2" 2"



**ART.2105**  
Bronze solder gate valve

**Size:**  
1/2" 3/4" 1" 1-1/4"  
1-1/2" 2"

# Stop valves

### Technical standard:

- Testing Pressure: 1.6MPa
- Suitable Medium: Water & Oil & Gas
- Working Temperature: -20°C ≤ t ≤ 120°C
- Anti-Oxygen Glue Applied To Join Body & Bonnet
- Brass Colour

Stop valves



**ART.2109**  
Bronze solder gate valve

**Size:**  
1/2" 3/4" 1" 1-1/4"  
1-1/2" 2"



**ART.2111**  
Bronze gate valve

**Size:**  
1/2" 3/4" 1" 1-1/4" 1-1/2"  
2" 2-1/2" 3" 4"



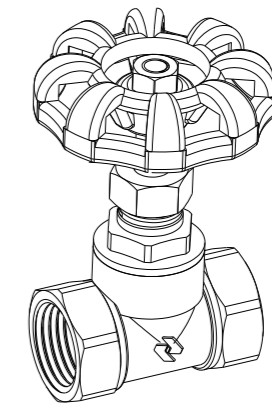
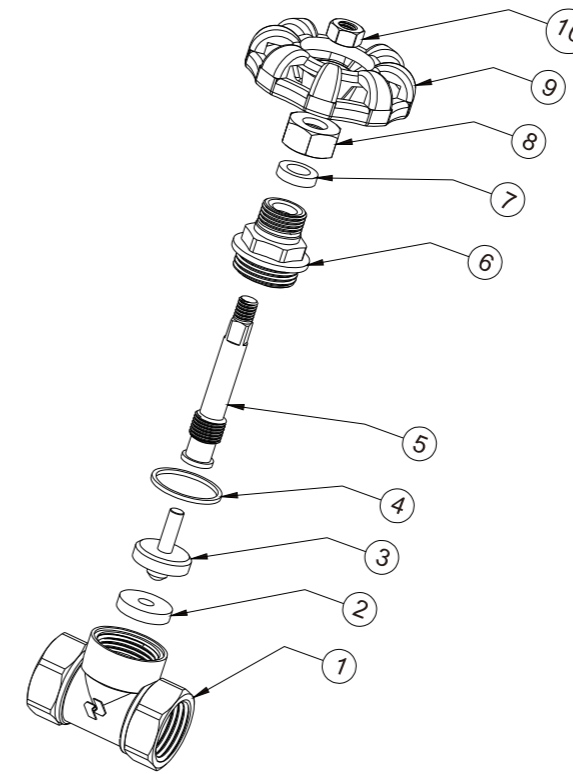
**ART.2118**

**Size:**  
1/2" 3/4" 1" 1-1/4" 1-1/2"  
2" 2-1/2" 3" 4"

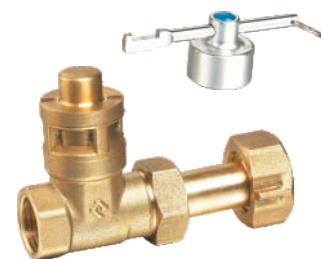


**ART.2201**  
Gate valve with lock

**Size:**  
1/2" 3/4" 1" 1-1/4"  
1-1/2" 2"



| ITEM | COMPONENT   | MATERIAL   | N. |
|------|-------------|------------|----|
| 1    | BODY        | BRASS      | 1  |
| 2    | WASHER      | EPDM       | 1  |
| 3    | GATE        | BRASS      | 1  |
| 4    | SEALING     | PTFE       | 1  |
| 5    | STEM        | BRASS      | 1  |
| 6    | BONNET      | BRASS      | 1  |
| 7    | STUFF       | PTFE       | 1  |
| 8    | PACKING NUT | BRASS      | 1  |
| 9    | WHEEL       | CAST STEEL | 1  |
| 10   | NUT         | BRASS      | 1  |



**ART.2202**  
Gate valve with lock

**Size:**  
1/2" 3/4" 1" 1-1/4"  
1-1/2" 2"



**ART.2204**  
Gate valve with lock

**Size:**  
1/2" 3/4" 1" 1-1/4"  
1-1/2" 2"



**ART.3112**  
Stop valve

Size:  
3/8"



**ART.3123**  
Stop valve

Size:  
3/8"



**ART.3118**  
Stop valve

Size:  
3/8"



**ART.3124**  
Stop valve

Size:  
1/2" 3/4" 1"



**ART.3132**  
Stop valve

Size:  
1/2" 3/4" 1" 1-1/4"  
1-1/2" 2"



**ART.3134**  
Flange gate valve

Size:  
1/2" 3/4" 1" 1-1/4"  
1-1/2" 2" 2-1/2"  
3" 4"



**ART.3111**  
Stop valve

Size:  
3/8"



**ART.3116**  
Stop valve

Size:  
3/8"



**ART.3120**  
Stop valve

Size:  
1/2" 3/4" 1" 1-1/4"  
1-1/2" 2"



**ART.3119**  
Stop valve with  
double union

Size:  
15mm 22mm 28mm



**ART.3122**  
Stop valve

Size:  
1/2" 3/4" 1"



**ART.3135**  
Stop valve

Size:  
1/2" 3/4" 1"



**ART.3113**  
Stop bibcock

Size:  
1/2"



**ART.3117**  
Stop valve

Size:  
1/2" 3/4" 1"



**ART.3109**  
Stop valve with  
compression

Size:  
15mm 22mm 28mm



**ART.3139**  
Stop valve

Size:  
1/2" 3/4" 1" 1-1/4"  
1-1/2" 2"



**ART.3137**  
Stop valve

Size:  
1/2" 3/4" 1" 1-1/4"  
1-1/2" 2"



**ART.3138**  
Stop valve

Size:  
1/2" 3/4" 1" 1-1/4"  
1-1/2" 2"



**ART.3367**  
Stop valve

**Size:**  
1/2"ODX1/2"OD  
3/4"ODX3/4"OD



**ART.3370**  
Stop valve

**Size:**  
1/2" 3/4"



**ART.3373**  
Stop valve

**Size:**  
3/8" 1/2" 3/4" 1"  
1 1/4" 1 1/2" 2"



**ART.3426**  
Stop valve

**Size:**  
1/2" 3/4" 1"



**ART.3368**  
Stop valve

**Size:**  
1/2"ODX1/2"OD  
3/4"ODX3/4"OD



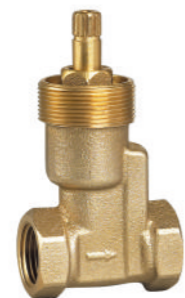
**ART.3369**  
Stop valve

**Size:**  
3/8" 1/2" 3/4" 1"  
1 1/4" 1 1/2" 2"



**ART.3150**  
Stop valve

**Size:**  
1/2" 3/4"



**ART.3151**  
Stop valve

**Size:**  
1/2" 3/4"



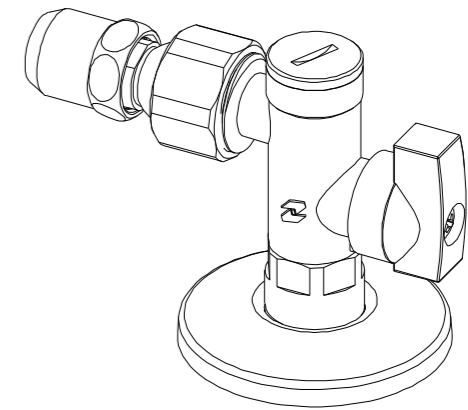
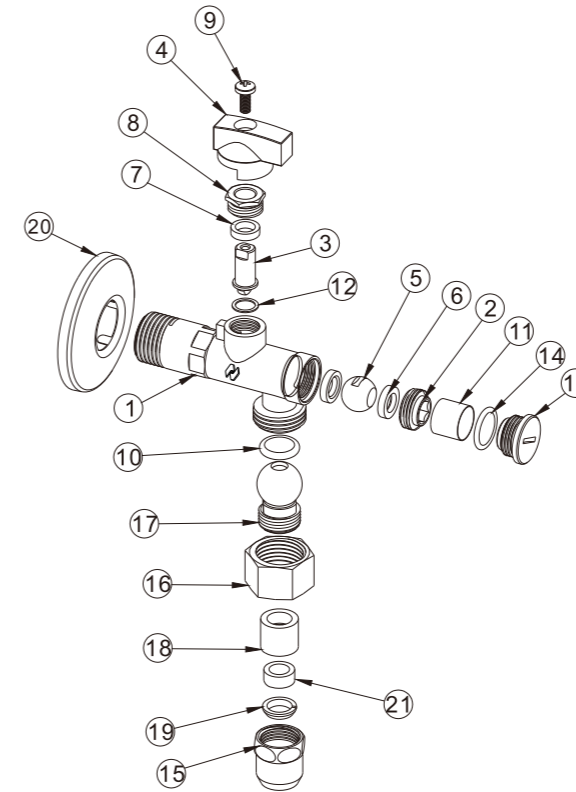
**ART.3152**  
Stop valve

**Size:**  
1/2" 3/4"

## Angle valves

### Technical standard:

- Testing Pressure: 0.6~0.8MPa
- Suitable Medium: Water
- Working Temperature: -10°C ≤ t ≤ 110°C
- Chrome Plated



| ITEM | COMPONENT    | MATERIAL        | N. |
|------|--------------|-----------------|----|
| 1    | BODY         | BRASS           | 1  |
| 2    | PACKING NUT  | BRASS           | 1  |
| 3    | STEM         | BRASS           | 1  |
| 4    | HANDLE       | ABS             | 2  |
| 5    | BALL         | BRASS           | 1  |
| 6    | SEAT         | P.T.F.E         | 1  |
| 7    | PACKING RING | P.T.F.E         | 1  |
| 8    | PLUG         | BRASS           | 1  |
| 9    | SCREW        | IRON            | 1  |
| 10   | O-RING       | NBR             | 1  |
| 11   | FILTER       | STAINLESS STEEL | 1  |
| 12   | SEAT         | P.T.F.E         | 1  |
| 13   | FIXED END    | BRASS           | 1  |
| 14   | O-RING       | NBR             | 1  |
| 15   | BONNET       | BRASS           | 1  |
| 16   | NUT          | BRASS           | 1  |
| 17   | CONNECTOR    | BRASS           | 1  |
| 18   | PLASTIC RING | PLASTIC         | 1  |
| 19   | RING         | BRASS           | 1  |
| 20   | COVER        | STAINLESS STEEL | 1  |
| 21   | SEALING      | NBR             | 1  |



**ART.4101-1**  
Angle valve

**Size:**  
1/2"x3/8" 1/2"x1/2"



**ART.4102**  
Angle valve

**Size:**  
1/2"x3/4"



**ART.4107**  
Washing machine valve with lock

**Size:**  
3/4"



**ART.4107-2**  
Washing machine valve with lock

**Size:**  
3/4"



**ART.4167**  
Angle valve

**Size:**  
1/2"x10 1/2"x1/2"  
1/2"x3/4"



**ART.4168-B**  
Angle valve

**Size:**  
1/2"x1/2"x1/2"



**ART.4108-1**  
Angle valve

**Size:**  
1/2"x10x3/4"



**ART.4201**  
Washing machine valve with 2 heads

**Size:**  
1/2"x3/4"x3/4"



**ART.4114**  
Angle valve

**Size:**  
1/2"x3/8" 1/2"x1/2"  
1/2"x3/4"



**ART.4198**  
Angle valve

**Size:**  
1/2"x1/2"



**ART.4134**  
Angle valve with lock

**Size:**  
3/4"



**ART.4159**  
Angle valve

**Size:**  
1/2"x1/2"



**ART.4163**  
Angle valve

**Size:**  
1/2"x3/8" 1/2"x1/2"  
1/2"x3/4"



**ART.4138**  
Angle valve

**Size:**  
1/2"x10



**ART.4162**  
Angle valve

**Size:**  
1/2"x1/2"



**ART.4136**  
Connector with lock

**Size:**  
1/2"



**ART.4104-1**  
Washing machine valve

**Size:**  
1/2"x3/4"



**ART.4104**  
Washing machine valve

**Size:**  
1/2"x3/4"



**ART.4128**  
Angle valve

**Size:**  
1/2"x10"



**ART.4130**  
Angle valve

**Size:**  
1/2"x10"



**ART.4122-1**  
Angle valve

**Size:**  
1/2"x3/4"x1/2"



**ART.4164**  
Angle valve with connector

**Size:**  
3/4"x3/4"x3/4"



**ART.4131**  
Angle valve

**Size:**  
1/2"x10"



**ART.4129**  
Angle valve

**Size:**  
1/2"x10"



**ART.4109**  
Angle valve

**Size:**  
1/2"x3/4"



**ART.4107-1**  
Washing machine valve with lock

**Size:**  
3/4"



**ART.4202**  
Angle valve

**Size:**  
1/2"x1/2" 1/2"x3/4"



**ART.4199**  
Angle valve

**Size:**  
1/2"x1/2"



**ART.4161**  
Angle valve

**Size:**  
1/2"x3/4"



**ART.4139**  
Angle valve

**Size:**  
1/2"x3/4"



**ART.4143**  
Angle valve

**Size:**  
1/2"x3/4"x3/4"



**ART.4144**  
Angle valve

**Size:**  
1/2"x3/4"x3/4"





**ART.4106**  
Angle valve

**Size:**  
1/2" x3/4"



**ART.4157-1**  
Angle valve

**Size:**  
3/4"x14



**ART.4145**  
Angle valve

**Size:**  
1/2"x3/8" 1/2"x1/2"



**ART.4145-3**  
Angle valve

**Size:**  
1/2"x1/2" x10



**ART.4157**  
Angle valve

**Size:**  
1/2"x3/4"



**ART.4165**  
Angle valve

**Size:**  
3/4"x14



**ART.4145-1**  
Angle valve

**Size:**  
1/2"x3/8" x10



**ART.4145-2**  
Angle valve

**Size:**  
1/2"x3/8"



**ART.4158**  
Angle valve

**Size:**  
3/8"x3/8"



**ART.4148**  
Angle valve

**Size:**  
3/8"x3/8"



**ART.4145-B**  
Angle valve

**Size:**  
1/2"x1/2"  
1/2"x3/8"



**ART.4116**  
Angle valve

**Size:**  
1/2"x1/2"



**ART.4124**  
Angle valve

**Size:**  
3/8"x3/8"



**ART.4147**  
Angle valve

**Size:**  
3/8"x3/8"



**ART.4154**  
Angle valve

**Size:**  
1/2"x10x10



**ART.4146-1**  
Angle valve

**Size:**  
1/2"x3/8"x3/8"  
1/2"x1/2"x1/2"  
1/2"x3/4"x3/4"  
1/2"x3/4"x3/8"  
1/2"x1/2"x3/8"  
1/2"x1/2"x3/4"



**ART.4140**  
Angle valve

**Size:**  
1/2"x1/2"



**ART.4142**  
Angle valve

**Size:**  
1/2"x1/2" 1/2"x3/4"



**ART.4135**  
Angle valve

**Size:**  
1/2"x10



**ART.4121**  
Angle valve

**Size:**  
1/2"x10



**ART.4146**  
Angle valve

**Size:**  
1/2"x3/8" 1/2"x1/2"



**ART.8183**  
Angle valve

**Size:**  
1/2"x3/8" 1/2"x1/2"



**ART.4155**  
Angle valve

**Size:**  
1/2"x1/2"x1/2"



**ART.4123**  
Angle valve

**Size:**  
1/2" x1/2" x3/4"



**ART.4166**  
Angle valve

**Size:**  
1/2"x1/2"



**ART.4150**  
Angle valve

**Size:**  
3/8"x3/8"



**ART.4153-1**  
Angle Valve

**Size:**  
1/2"X3/4"



**ART.4168**  
Angle valve

**Size:**  
1/2"x1/2"



**ART.4191**  
Angle valve

**Size:**  
1/2"x10



**ART.4192**  
Angle valve

**Size:**  
1/2"x3/4"



**ART.4153**  
Angle valve

**Size:**  
1/2"x3/4"



**ART.4156**  
Angle valve

**Size:**  
1/2"x3/4"



**ART.4001**  
1/4 Turn supply stop

**Size:**  
3/8"FIPx1/2"OD 3/8"FIPx3/8"OD  
3/8"FIPx1/4"OD 1/2"FIPx1/4"OD  
1/2"FIPx3/8"OD 1/2"FIPx1/2"OD  
1/2"FIPx7/16-1/2"SJ



**ART.4004**  
1/4 Turn supply stop

**Size:**  
3/8"FIPx3/8"OD 3/8"FIPx1/4"OD  
1/2"FIPx3/8"OD 1/2"FIPx1/4"OD  
3/8"FIPx1/2"OD 1/2"FIPx1/2"OD  
3/8"FIPx1/2"-7/16"SJ



**ART.4185**  
Multi turn supply stop

**Size:**  
1/2"F1960 X 1/4"OD X 1/4"OD  
1/2"F1960 X 3/8"OD X 3/8"OD  
1/2"F1960 X 1/2"OD X 1/2"OD



**ART.4183**  
Multi turn supply stop

**Size:**  
1/2"PEX x 3/8"OD  
1/2"PEX x 1/2"OD  
1/2"PEX x 1/4"OD



**ART.4006**  
1/4 Turn supply stop

**Size:**  
1/2"PEXx1/4"OD  
1/2"PEXx3/8"OD  
1/2"PEXx1/2"OD



**ART.4014**  
1/4 Turn supply stop

**Size:**  
1/2"PEXx1/4"OD  
1/2"PEXx3/8"OD  
1/2"PEXx1/2"OD



**ART.4036**  
Multi turn supply stop

**Size:**  
5/8"OD X 3/8"OD X 1/4"OD  
5/8"OD X 3/8"OD X 3/8"OD



**ART.4177**  
Multi turn supply stop

**Size:**  
5/8"ODx3/8"ODx3/8"OD  
5/8"ODx1/2"ODx1/2"OD  
5/8"ODx1/2"-7/16"x3/8"OD  
1/2"ODx3/8"ODx3/8"OD  
5/8"ODx1/2"ODx3/8"OD  
1/2"ODx3/8"ODx1/4"OD  
1/2"ODx1/2"-7/16"SJx1/4"OD  
1/2"ODx1/2"ODx1/2"OD



**ART.4401**  
1/4" turn supply stop

**Size:**  
1/2"SWT X 3/8"OD X 3/8"OD  
1/2"SWT X 3/8"OD X 1/2"OD  
1/2"SWT X 3/8"OD X 1/4"OD



**ART.4235**  
1/4" turn supply stop

**Size:**  
1/2"PUSH-FIT X 3/8"OD  
X 1/4"OD  
1/2"PUSH-FIT X 3/8"OD  
X 3/8"OD



**ART.4175**  
Multi turn supply stop

**Size:**  
1/2"FIPx3/8"OD 3/8"FIP  
x3/8"OD  
1/2"FIPx1/2"OD 1/2"FIP  
x1/4"OD  
1/2"FIPx1/2"-7/16"SJ



**ART.4179**  
Multi turn supply stop

**Size:**  
1/2"FIP x 3/8"OD  
3/8"FIP x 3/8"OD  
3/8"FIP x 1/4"OD  
3/8"FIP x 1/2"OD  
1/2"FIP x 1/4"OD  
1/2"FIP x 1/2"OD  
1/2"FIP x 1/2"-7/16"OD



**ART.4352**  
1/4" turn supply stop

**Size:**  
1/2" PUSH-FIT X 1/2"  
PUSH-FIT X 1/4"OD  
1/2" PUSH-FIT X 1/2"  
PUSH-FIT X 3/8"OD



**ART.4303**  
1/4" turn supply stop

**Size:**  
3/8"OD X 1/4"OD  
3/8"OD X 3/8"OD  
1/2"OD X 3/8"OD  
1/2"OD X 1/2"OD  
1/2"OD X 5/8"OD  
5/8"OD X 1/4"OD  
5/8"OD X 3/8"OD  
5/8"OD X 1/2"OD  
5/8"OD X 5/8"OD  
1/2"OD X 1/2"-7/16" SLIP JIONT OD  
5/8"OD X 1/2"-7/16" SLIP JIONT OD



**ART.4176**  
Multi turn supply stop

**Size:**  
1/2"ODx1/2"OD 1/2"ODx5/8"OD  
5/8"ODx1/4"OD 5/8"ODx3/8"OD  
5/8"ODx5/8"OD 1/2"ODx3/8"OD  
5/8"ODx1/2"OD 3/8"ODx1/4"OD  
3/8"ODx3/8"OD  
1/2"ODx1/2"-7/16"SJOD  
5/8"ODx1/2"-7/16"SJOD



**ART.4283**  
Multi turn supply stop

**Size:**  
3/8"SWT X 1/4"OD  
3/8"SWT X 3/8"OD  
1/2"SWT X 3/8"OD  
1/2"SWT X 1/2"OD  
1/2"SWT X 1/2"-7/16" SLIP  
JIONT OD



**ART.4436**  
Angle valve

**Size:**  
1/2"X10



**ART.4123-1**  
Angle Valve

**Size:**  
1/2"X1/2"X3/4"



**ART.4438**  
Angle valve

**Size:**  
1/2"X5/8"OD



**ART.4431**  
Angle valve

**Size:**  
3/8"X3/8"  
1/2"X1/2"



**ART.4393**

**Size:**  
1/2"OD X 3/4"NH  
5/8"OD X 3/4"NH



**ART.4396**  
Washing Machine Valve

**Size:**  
1/2"FNPT X 3/4"NH  
3/4"FNPT X 3/4"NH



**ART.4437**

Angle valve

**Size:**  
3/8"X3/8"  
1/2"X1/2"



**ART.4434**

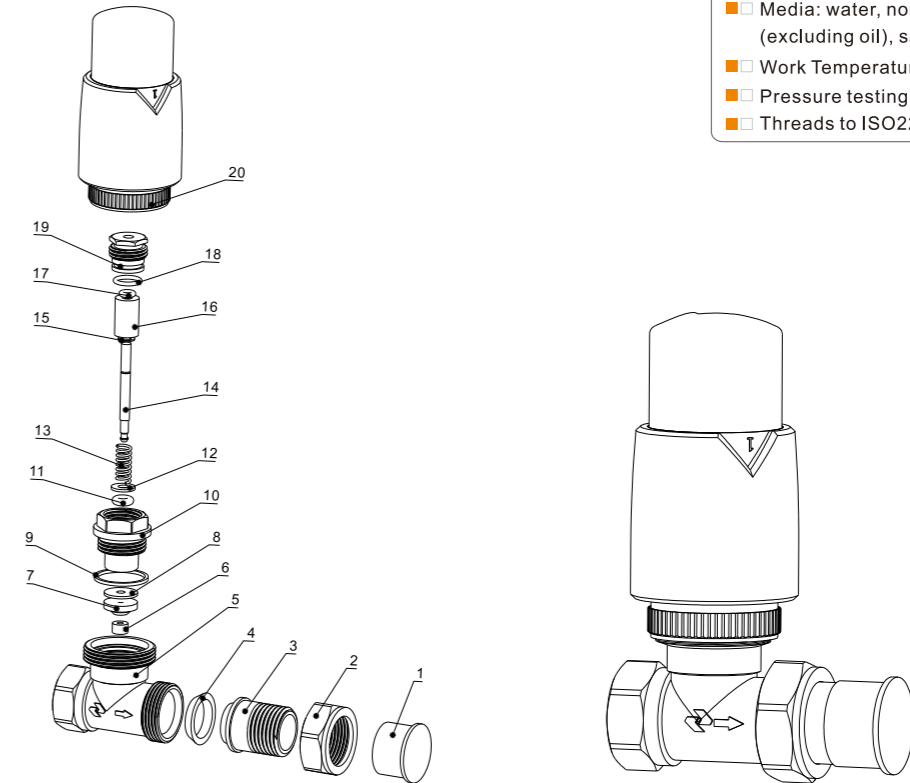
Angle valve

**Size:**  
3/8"X3/8"  
1/2"X1/2"

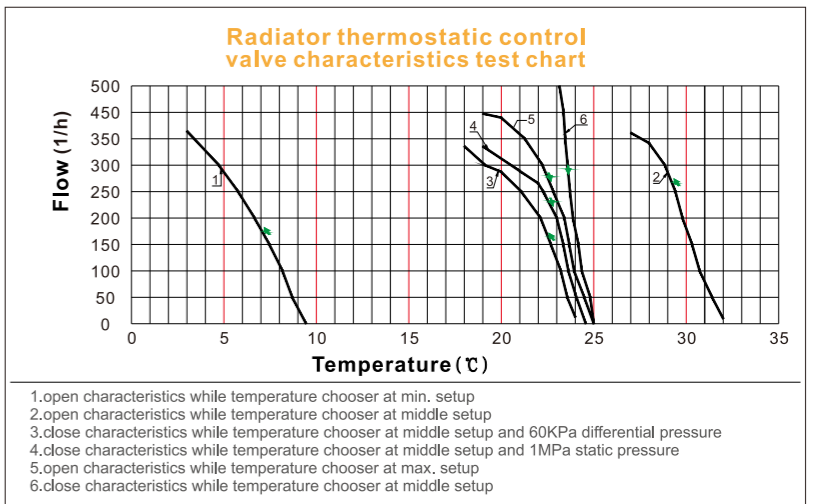
## Thermostatic valve

### Technical standard:

- Nominal Pressure: 1.6MPa
- Media: water, non-corrosion liquid (excluding oil), saturated steam
- Work Temperature: -20°C ≤ t ≤ 100°C
- Pressure testing to ISO 5208 standard
- Threads to ISO228 standard



| ITEM | COMPONENT         | MATERIAL        | N. |
|------|-------------------|-----------------|----|
| 1    | THREADS PROTECTOR | PLASTIC         | 1  |
| 2    | CONNECT NUT       | BRASS           | 1  |
| 3    | CONNECT TUBE      | BRASS           | 1  |
| 4    | WASHER            | EPDM            | 1  |
| 5    | BODY              | BRASS           | 1  |
| 6    | GASKET            | PLASTIC         | 1  |
| 7    | SEALING WASHER    | EPDM            | 1  |
| 8    | GASKET            | BRASS           | 1  |
| 9    | PLASTIC GASKET    | PLASTIC         | 1  |
| 10   | CARTRIDGE BODY    | BRASS           | 1  |
| 11   | O-RING            | EPDM            | 1  |
| 12   | BRASS WASHER      | BRASS           | 1  |
| 13   | SPRING            | STAINLESS STEEL | 1  |
| 14   | CORE              | STAINLESS STEEL | 1  |
| 15   | SPRING RING       | STAINLESS STEEL | 1  |
| 16   | FIX CARTRIDGE     | BRASS           | 1  |
| 17   | O-RING            | NBR             | 1  |
| 18   | O-RING            | NBR             | 1  |
| 19   | PACKING NUT       | BRASS           | 1  |
| 20   | THERMOSTATIC HEAD | BRASS           | 1  |





**ART.5101**  
Radiator valve

**Size:**  
1/2"x1/2"



**ART.5102**  
Radiator valve

**Size:**  
1/2"x1/2"



**ART.5108**  
Radiator valve

**Size:**  
1/2"x1/2"



**ART.5107**  
Radiator valve

**Size:**  
1/2"x1/2"



**ART.5101-1**  
Radiator valve

**Size:**  
1/2"x1/2"



**ART.5102-1**  
Radiator valve

**Size:**  
1/2"x1/2"



**ART.5101-1A**  
Radiator valve

**Size:**  
1/2"x1/2"



**ART.5102-1A**  
Radiator valve

**Size:**  
1/2"x1/2"



**ART.5101-2**  
Radiator valve

**Size:**  
1/2"x1/2"



**ART.5102-2**  
Radiator valve

**Size:**  
1/2"x1/2"



**ART.5131-1**  
Radiator valve

**Size:**  
1/2"x1/2"



**ART.5132-1**  
Radiator valve

**Size:**  
1/2"x1/2"



**ART.5131**  
Radiator valve

**Size:**  
1/2"x1/2"



**ART.5132**  
Radiator valve

**Size:**  
1/2"x1/2"



**ART.5133**  
Radiator valve

**Size:**  
1/2"x1/2"



**ART.5134**  
Radiator valve

**Size:**  
1/2"x1/2"



**ART.5138W**

Size:  
1/2"x1/2"



**ART.5139W**

Size:  
1/2"x1/2"



**ART.5214W**

Size:  
1/2"x1/2"



**ART.5213WA**

Size:  
1/2"x1/2"



**ART.5210W**

Size:  
1/2"x1/2"



**ART.5213W**

Size:  
1/2"x1/2"



**ART.5230**

Size:  
1216x1/2"



**ART.5230W**

Size:  
1216x1/2"



**ART.5138-1**

Size:  
1216x1/2"



**ART.5138-1A**

Size:  
1216x1/2"



**ART.5136-2**

Size:  
20x1/2"



**ART.5136-2A**

Size:  
20x1/2"



**ART.5221-1W**

Size:  
1216x1/2"



**ART.5221-1WA**

Size:  
1216x1/2"



**ART.5221-1C**

Size:  
1216x1/2"



**ART.5221-1CA**

Size:  
1216x1/2"



**ART.5138-2**

Size:  
1216x1/2"



**ART.5138-2A**

Size:  
1216x1/2"



**ART.5139-B**

Size:  
1/2"x1/2"



**ART.5137-1B**

Size:  
1/2"x1/2"



**ART.5136L**

Size:  
1/2"x1/2"



**ART.5137L**

Size:  
1/2"x1/2"



**ART.5138-B**

Size:  
1/2"x1/2"



**ART.5136-1B**

Size:  
1/2"x1/2"



**ART.5136-1**

Size:  
20x1/2"



**ART.5136-1A**

Size:  
20x1/2"



**ART.5134B**

Size:  
1/2"x1/2"



**ART.5210BA**

Size:  
1/2"x1/2"



**ART.5205-3**

Size:  
20x1/2"



**ART.5205-3A**

Size:  
20x1/2"



**ART.5210B**

Size:  
1/2"x1/2"



**ART.5124B**

Size:  
1/2"x1/2"



**ART.5202**  
Radiator valve

Size:  
1/2"x3/4"



**ART.5201**  
Radiator valve

Size:  
1/2"x3/4"



**ART.5204**  
Radiator valve(PPR)

Size:  
1/2"x3/4"



**ART.5203**  
Radiator valve(PPR)

Size:  
1/2"x3/4"



**ART.5208**  
Radiator valve

Size:  
1/2"x3/4"



**ART.5207**  
Radiator valve

Size:  
1/2"x3/4"



**ART.5214**  
Thermostatic valve

Size:  
1/2"x1/2" 3/4"x3/4"



**ART.5210**  
Thermostatic valve

Size:  
1/2"x1/2" 3/4"x3/4"



**ART.5136-F**  
Radiator valve

Size:  
1/2"FX1/2"M



**ART.5136-M**  
Radiator valve

Size:  
1/2"MX1/2"M



**ART.5105**  
H type Radiator valve

Size:  
1/2"x3/4"



**ART.5105-1**  
H type Radiator valve

Size:  
1/2"x3/4"



**ART.5105-2**  
H type Radiator valve

Size:  
1/2"x3/4"



**ART.5106**  
H type Radiator valve

Size:  
1/2"x3/4"



**ART.5106-1**  
H type Radiator valve

Size:  
1/2"x3/4"



**ART.5231T**

Size:  
1/2" x 1/2" 3/4"x3/4"  
1216x1/2"F 1216x3/4"F  
1620x3/4"F



**ART.5120-1**  
Radiator plug

Size:  
1" x 1/2" 1" x 3/4"



**ART.5119-1**  
Radiator plug

Size:  
1" x 1/2" 1" x 3/4"



**ART.5230T**

Size:  
1/2" x 1/2" 3/4"x3/4"  
1216x1/2"F 1620x3/4"F



**ART.7307-4**  
Safety Valve  
3/8" 1/2" 3/4"



**ART.7307-1**  
Safety Valve  
3/8" 1/2" 3/4"



**ART.7307-2**  
Safety Valve  
3/8" 1/2" 3/4"



**ART.7307-5**  
Safety Valve  
3/8" 1/2" 3/4"



**ART.5117**  
Radiator plug  
3/8" 1/2"



**ART.5112**  
Adjustable radiator plug  
3/8" 1/2"



**ART.5118**  
Radiator plug  
1/8" 1/4" 3/8" 1/2"



**ART.5110**  
Adjustable radiator plug  
3/8" 1/2"



**ART.5111**  
Radiator plug  
3/8" 1/2"



**ART.5113**  
Radiator joint  
1/2" x3/8" 3/4" x3/8"  
3/4" x1/2"



**ART.5116**  
Radiator plug  
3/8" 1/2"



**ART.5114**  
Zinc alloy key  
5x5



**ART.5115**  
Zinc alloy key  
4x4/4.5x4.5/  
5x5/7x5



**ART.5129**  
Auto air release valve  
3/8" 1/2"



**ART.5109**  
Safety valve  
1/2"x1/2"



**ART.5109-1**  
Safety valve  
1/2"x1/2"



**HJG-02**



**HJT-6**



**HJT-20**



**HJT-9**



**HJT-4**



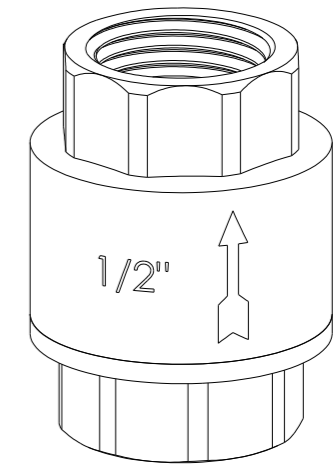
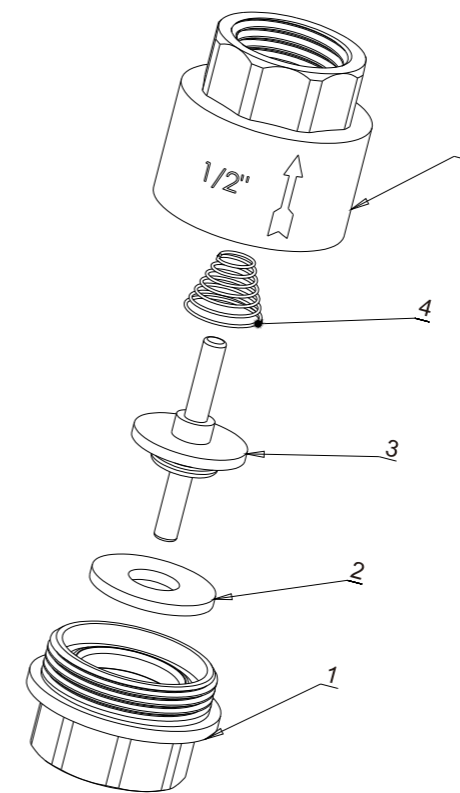
**HJT-17**



## Check valves & Filter valves

### Technical standard:

- Testing Pressure:1.6MPa
- Suitable Medium:Water
- Working Temperature:-20°C≤t-150°C
- Anti-Oxygen Glue Applied To Join Body & Bonnet
- Brass Colour



| ITEM | COMPONENT | MATERIAL        | N |
|------|-----------|-----------------|---|
| 1    | CAP       | BRASS           | 1 |
| 2    | WASHER    | NBR             | 1 |
| 3    | CARTRIDGE | BRASS           | 1 |
| 4    | SPRING    | STAINLESS STEEL | 1 |
| 5    | BODY      | BRASS           | 1 |

## Floating ball valves



**ART.6101**  
Vertical check valve

**Size:**  
1/2" 3/4" 1" 1-1/4" 1-1/2"  
2" 2-1/2" 3" 4"



**ART.6104**  
Check valve with filter

**Size:**  
1/2" 3/4" 1" 1-1/4" 1-1/2"  
2" 2-1/2" 3" 4"



**ART.6103**  
Foot valve

**Size:**  
1/2" 3/4" 1" 1-1/4"  
1-1/2" 2"



**ART.6105**  
Y Pattern check valve  
in brass & bronze

**Size:**  
1/2" 3/4" 1" 1-1/4"  
1-1/2" 2"



**ART.6201**  
Y filter valve

**Size:**  
1/2" 3/4" 1" 1-1/4" 1-1/2"  
2" 2-1/2" 3" 4"



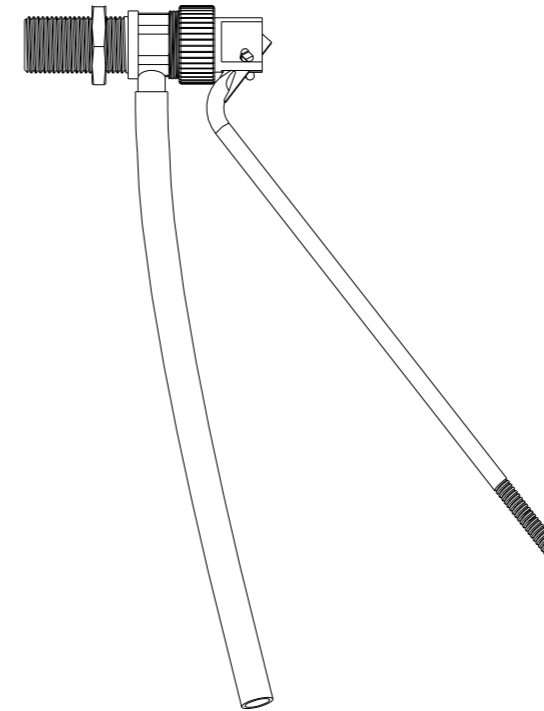
**ART.6201-1**  
Y filter valve

**Size:**  
1/2" 3/4" 1"



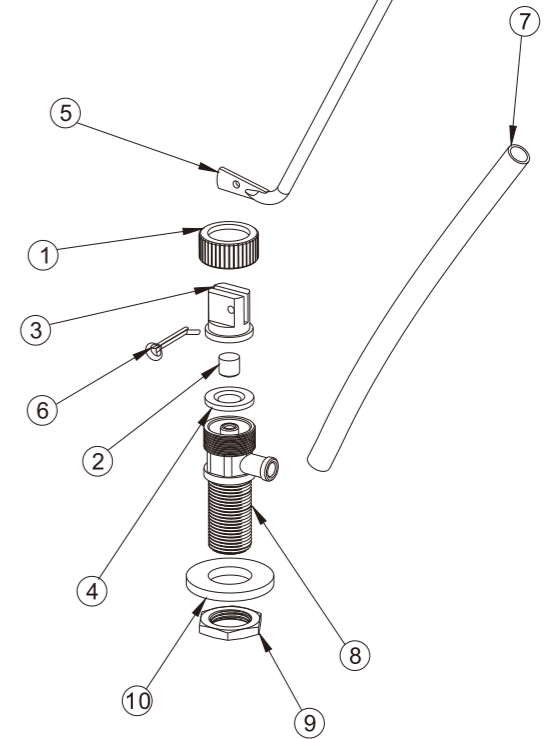
**ART.6102**  
Horizontal check valve

**Size:**  
1/2" 3/4" 1" 1-1/4" 1-1/2"  
2" 2-1/2" 3" 4"



### Technical standard:

- Testing Pressure: 0.6~0.8MPa
- Suitable Medium: Water
- Working Temperature: 0°C ≤ t ≤ 120°C
- Brass Colour



**ART.6202**  
Y filter ball valve

**Size:**  
1/2" 3/4" 1" 1-1/4"  
1-1/2" 2"



**HJ.6203**  
Flange filter valve

**Size:**  
25 32 40 50 65 80 100  
125 150 200



**HJ.6205**  
Flange check valve

**Size:**  
25 32 40 50 65 80 100

| ITEM | COMPONENT        | MATERIAL | N |
|------|------------------|----------|---|
| 1    | SKIDPROOF NUT    | BRASS    | 1 |
| 2    | STICK            | BRASS    | 1 |
| 3    | FIXING CONNECTOR | PLASTIC  | 1 |
| 4    | SEALING          | NBR      | 1 |
| 5    | HEAD             | BRASS    | 1 |
| 6    | PIN              | BRASS    | 1 |
| 7    | HOSE             | PLASTIC  | 1 |
| 8    | BODY             | BRASS    | 1 |
| 9    | NUT              | BRASS    | 1 |
| 10   | WASHER           | NBR      | 1 |



**ART.1401**  
Floating ball valve

**Size:**  
3/8" 1/2"



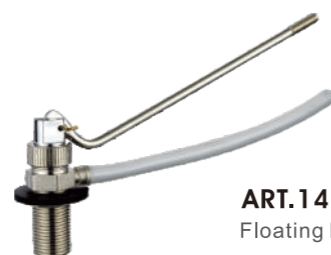
**ART.1402**  
Bronze floating ball valve

**Size:**  
1/2" x 1/2" 3/4" x 3/4"  
1" x 1"



**ART.1404**  
Floating ball valve

**Size:**  
1/2" 3/4" 1" 1-1/4" 1-1/2"  
2" 2-1/2" 3" 4"



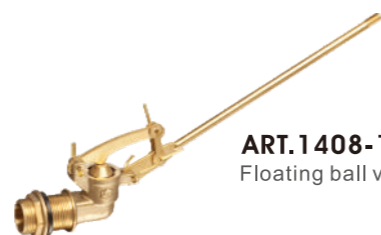
**ART.1406**  
Floating ball valve

**Size:**  
3/8" 1/2"



**ART.1411**  
Floating ball valve

**Size:**  
3/8" 1/2"



**ART.1408-1**  
Floating ball valve

**Size:**  
1/2" 3/4" 1" 1-1/4" 1-1/2" 2"



**ART.1407**  
Floating ball valve

**Size:**  
1/2" 3/4" 1" 1-1/4"  
1-1/2" 2"



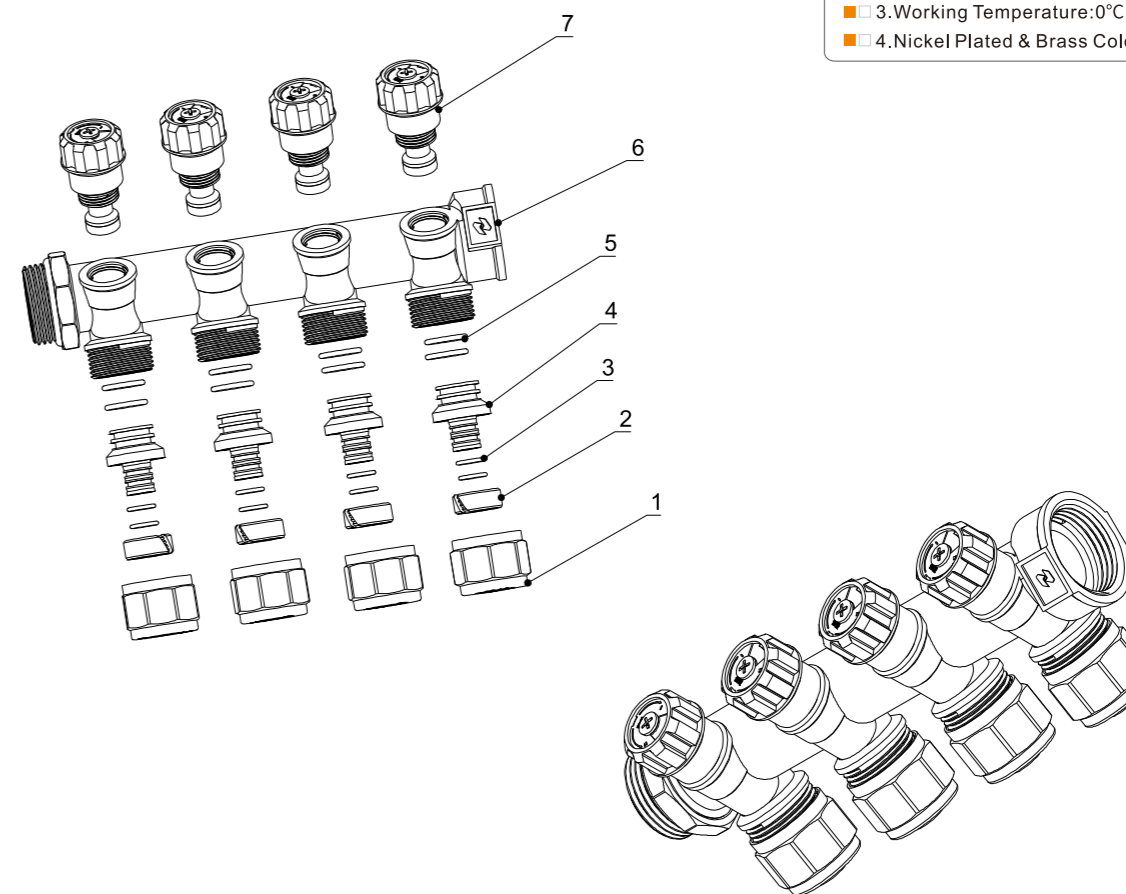
**ART.1408**  
Floating ball valve

**Size:**  
1/2" 3/4" 1"

## Manifolds

### Technical standard:

- 1. Testing Pressure: 1.0MPa
- 2. Suitable Medium: Water & Gas
- 3. Working Temperature: 0°C ≤ t ≤ 110°C
- 4. Nickel Plated & Brass Colour



| ITEM | COMPONENT       | MATERIAL | N |
|------|-----------------|----------|---|
| 1    | OCTAGONAL CAP   | BRASS    | 4 |
| 2    | SOCKET          | BRASS    | 4 |
| 3    | O-TING          | EPDM     | 8 |
| 4    | CONNECTOR       | BRASS    | 4 |
| 5    | O-TING          | EPDM     | 8 |
| 6    | BODY            | BRASS    | 1 |
| 7    | REGULATING STEM | BRASS    | 4 |



**ART.7101**  
Manifolds

**Size:**  
3/4"x16 2-4  
1"x16 2-4



**ART.7107**  
Manifolds

**Size:**  
3/4"x15 2-4  
1"x15 2-4



**ART.7104**  
Manifolds

**Size:**  
3/4"x16 2-4  
1"x16 2-4



**ART.7105**  
Manifolds

**Size:**  
3/4"x16 2-4  
1"x16 2-4



**ART.7110**  
Manifolds

**Size:**  
3/4"x1/2" 2-4  
1"x1/2" 2-4



**ART.7103**  
Manifolds

**Size:**  
3/4" 2-12  
1" 2-12  
1-1/4" 2-12



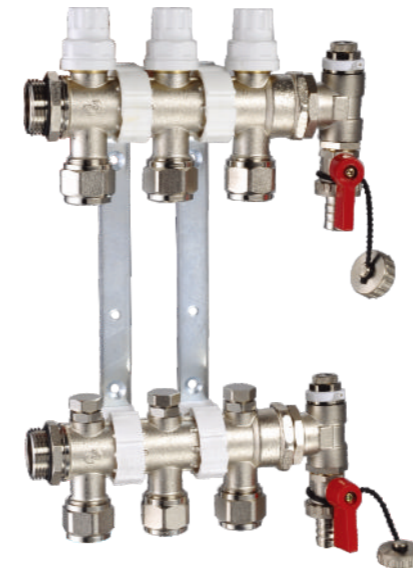
**ART.7228**  
Manifolds

**Size:**  
1"x16 2-12  
1"x20 2-12  
1 1/4"x16 2-12  
1 1/4"x20 2-12



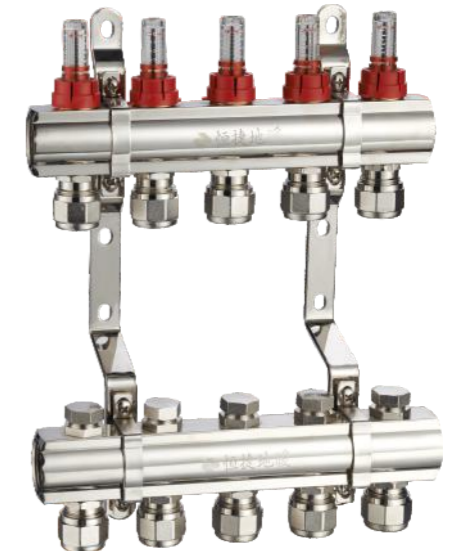
**ART.7229**  
Manifolds

**Size:**  
1"x16 2-12  
1"x20 2-12  
1 1/4"x16 2-12  
1 1/4"x20 2-12



**ART.7211**  
Manifolds

**Size:**  
1"x16 2-12  
1"x20 2-12



**ART.7202**  
Manifolds

**Size:**  
1"x16 2-12  
1"x20 2-12  
1 1/4"x16 2-12  
1 1/4"x20 2-12



**ART.7220**

Manifolds

Size:

- 1"x16 2-12
- 1"x20 2-12
- 1 1/4"x16 2-12
- 1 1/4"x20 2-12



**ART.7219**

Manifolds

Size:

- 1"x16 2-12
- 1"x20 2-12



**ART.7226**

Manifolds

Size:

- 1"x16 2-10
- 1"x20 2-10



**ART.7217**

Mic centre

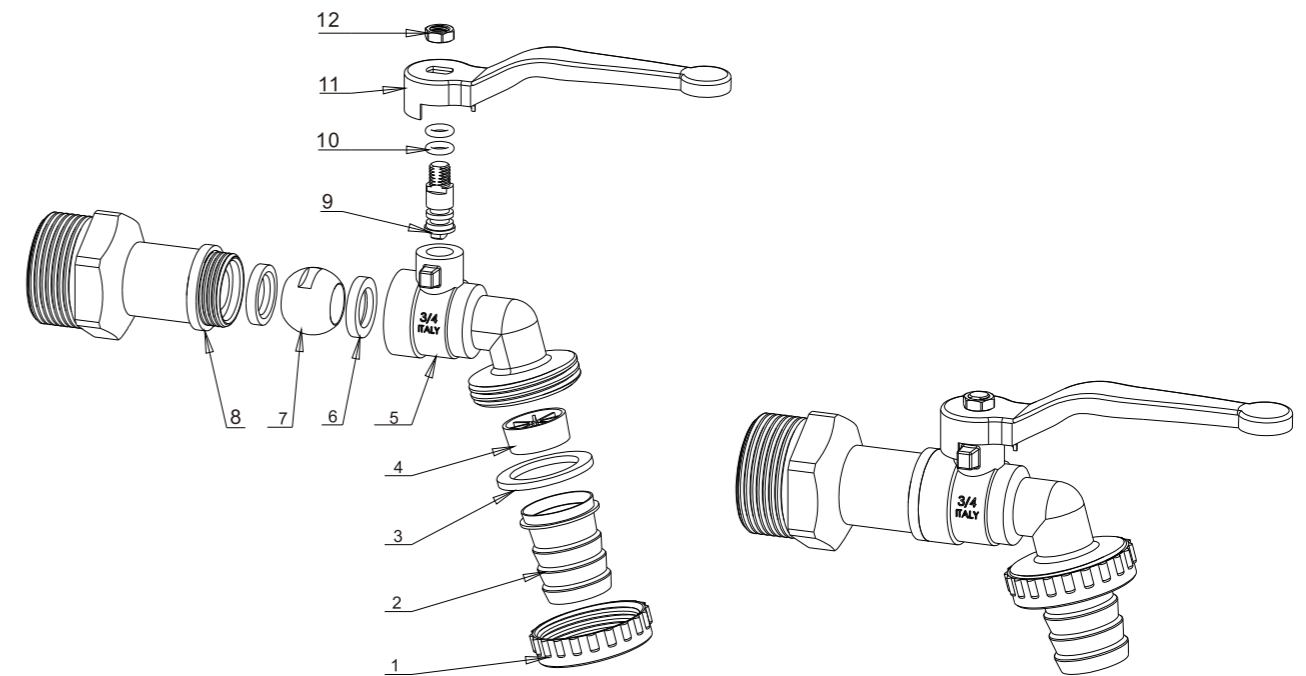
Size:

- 1"

## Bibcocks

### Technical standard:

- 1. Quick open/close
- 2. Compact structure, small volume, economic weight
- 3. Minimize flow resistance



| ITEM | COMPONENT   | MATERIAL | N |
|------|-------------|----------|---|
| 1    | SCREW NUT   | BRASS    | 1 |
| 2    | NOZZLE      | BRASS    | 1 |
| 3    | WASHER      | NBR      | 1 |
| 4    | DISTRIBUTOR | PALSTIC  | 1 |
| 5    | BODY        | BRASS    | 1 |
| 6    | SEAT        | PTFE     | 2 |
| 7    | BALL        | BRASS    | 1 |
| 8    | CONNECTOR   | BRASS    | 1 |
| 9    | STEM        | BRASS    | 1 |
| 10   | O-RING      | NBR      | 2 |
| 11   | HANDLE      | STEEL    | 1 |
| 12   | NUT         | BRASS    | 1 |



**ART.1522**  
Bibcock

**Size:**  
1/2" 3/4" 1"



**ART.1518**  
Bibcock

**Size:**  
1/2" 3/4" 1"



**ART.1502**  
Bibcock

**Size:**  
1/2" 3/4" 1"



**ART.1509**  
Bibcock

**Size:**  
1/2" 3/4" 1"



**ART.1543**  
Bibcock

**Size:**  
1/2"x3/4" 3/4"x1"



**ART.1542**  
Bibcock

**Size:**  
1/2"x3/4" 3/4"x1"



**ART.1505**  
Bibcock

**Size:**  
1/2" 3/4" 1"



**ART.1513**  
Lockable bibcock

**Size:**  
Size: 1/2"~3/4"



**ART.1553**  
Bibcock

**Size:**  
1/2"x3/4" 3/4"x1"



**ART.1554**  
Bibcock

**Size:**  
1/2"x3/4" 3/4"x1"



**ART.1508-1**  
Lockable bibcock

**Size:**  
1/2" 3/4" 1"



**ART.1561**  
Bibcock

**Size:**  
3/8"x12x3/4"  
3/8"x16x3/4"



**ART.1538**  
Bibcock

**Size:**  
1/2" 3/4"



**ART.1519**  
Bibcock

**Size:**  
1/2" 3/4" 1"



**ART.1562**  
Bibcock

**Size:**  
3/8"x3/8"x3/4"



**ART.1563**  
Bibcock

**Size:**  
3/8"x3/8"x3/4"



**ART.1527**  
Bibcock

**Size:**  
1/2"



**ART.1517**  
Bibcock

**Size:**  
1/2"x3/4"



**ART.4341**  
Sillcock

**Size:**  
1/2"SWTX3/4"NH  
3/4"SWTX3/4"NH



**ART.4345**  
Boiler drain

**Size:**  
1/2"MNPTX3/4"NH  
3/4"MNPTX3/4"NH



**ART.1534**  
Bibcock

**Size:**  
1/2"



**ART.1516**  
Bibcock

**Size:**  
1/2" 3/4"



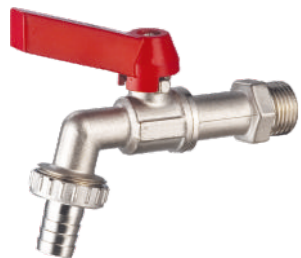
**ART.4355**  
Sillcock

**Size:**  
1/2"FNPTX3/4"NH  
3/4"FNPTX3/4"NH



**ART.4354**  
Sillcock

**Size:**  
1/2"MNPTX3/4"NH  
3/4"MNPTX3/4"NH



**ART.1551**  
Bibcock

**Size:**  
1/2" 3/4"



**ART.1542**  
Bibcock

**Size:**  
1/2" 3/4"



**ART.4386**  
Sillcock

**Size:**  
1/2"FNPTX3/4"NH  
3/4"FNPTX3/4"NH



**ART.4381**  
Sillcock

**Size:**  
1/2"MNPTX3/4"NH  
3/4"MNPTX3/4"NH



**ART.1521**  
Bibcock

**Size:**  
1/2" 3/4" 1"



**ART.1520**  
Bibcock

**Size:**  
1/2" X3/4" X3/4"  
3/4"X3/4"X1"



**ART.4357**  
Sillcock

**Size:**  
1/2"MNPTX3/4"NH  
3/4"MNPTX3/4"NH



**ART.4361**  
Sillcock

**Size:**  
1/2"FNPTX3/4"NH  
3/4"FNPTX3/4"NH  
1"FNPTX3/4"NH



**ART.4343**  
Sillcock

**Size:**  
1/2"FNPTX3/4"NH  
3/4"FNPTX3/4"NH



**ART.4347**  
Boiler drain

**Size:**  
1/2"FNPTX3/4"NH  
3/4"FNPTX3/4"NH  
1"FNPTX3/4"NH



**ART.4346**  
Boiler drain

**Size:**  
1/2"PEX-1/2"MNPTX3/4"NH



**ART.4378**  
Sillcock

**Size:**  
1/2"MNPTX3/4"NH  
3/4"MNPTX3/4"NH



**ART.4379**  
Boiler drain

**Size:**  
1/2"MNPTX3/4"NH  
3/4"MNPTX3/4"NH



**ART.4355A**  
Sillcock

**Size:**  
1/2"MNPTX3/4"NH  
3/4"MNPTX3/4"NH



**ART.4388**  
Sillcock

**Size:**  
1/2"PEX X3/4"NH



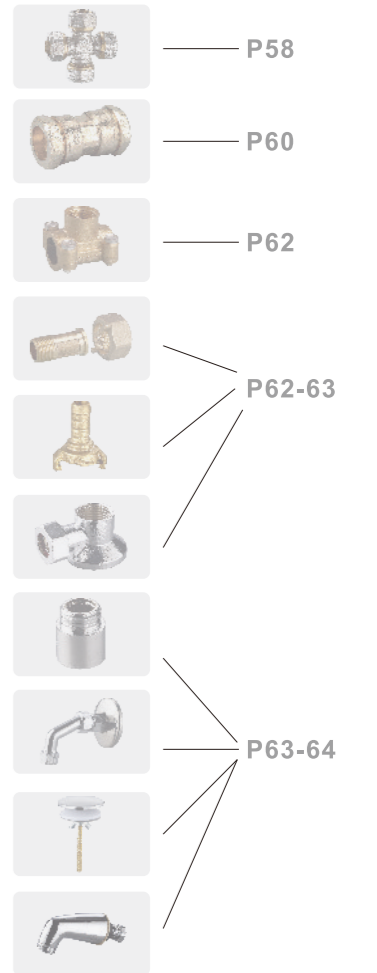
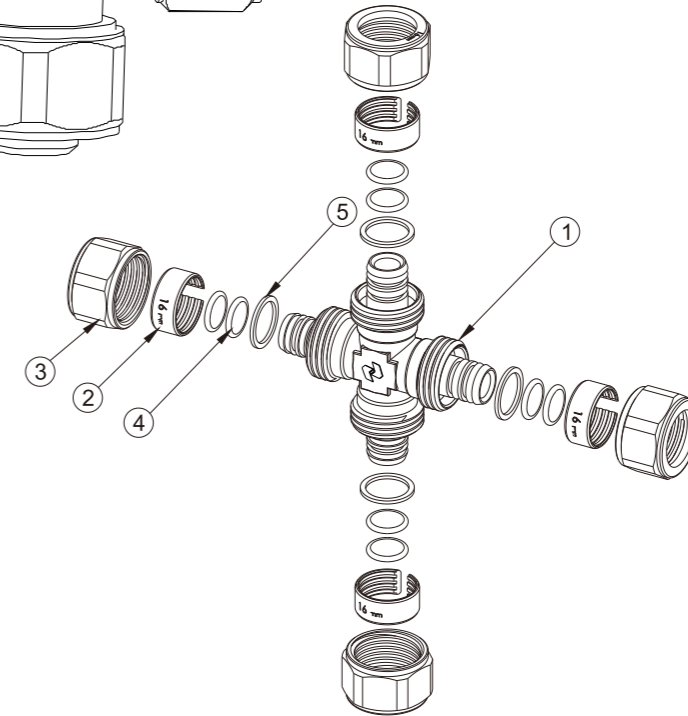
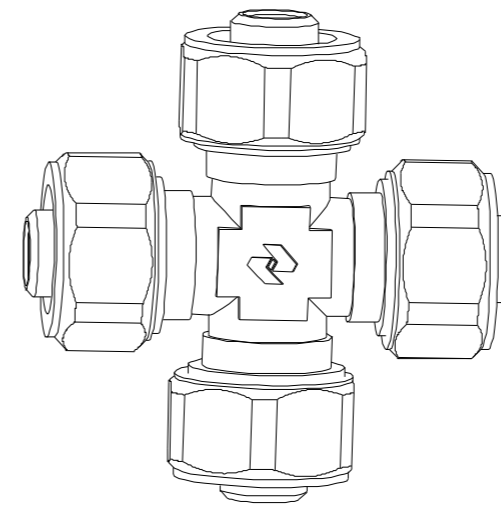
**ART.4349A**  
Sillcock

**Size:**  
1/2"OD X 3/4"NH

## Fittings

### Technical standard:

- 1. Testing Pressure: 1.6MPa
- 2. Suitable Medium: Water & Oil & Gas
- 3. Working Temperature:  $t \leq 170^{\circ}\text{C}$
- 4. Nickel Plated & Brass Colour



| ITEM | COMPONENT | MATERIAL | N |
|------|-----------|----------|---|
| 1    | BODY      | BRASS    | 1 |
| 2    | RING      | BRASS    | 4 |
| 3    | BONNET    | BRASS    | 4 |
| 4    | O-RING    | NBR      | 8 |
| 5    | WASHER    | PLASTIC  | 4 |





**ART.8501**  
Female elbow

**Size:**

16x1/2"~18x1/2" 20x1/2" 16x3/4"  
20x3/4" 25x3/4" 25x1" 32x1"



**ART.8502**  
Elbow

**Size:**

16x16 18x18 20x20  
25x25 32x32



**ART.8511**  
Female tee

**Size:**

16x1/2"x16"~18x1/2"x18  
20x1/2"x20 20x3/4"x20  
25x3/4"x25 25x1x25"  
32x1"x32



**ART.8512**  
Male tee

**Size:**

16x1/2"x16"~18x1/2"x18  
20x1/2"x20 20x3/4"x20  
25x3/4"x25 25x1x25"  
32x1"x32



**ART.8504**  
Male elbow

**Size:**

16x1/2"~18x1/2" 20x1/2"  
25x3/4" 32x3/4" 32x1"



**ART.8505**  
Tee

**Size:**

16x16x16 18x18x18  
20x20x20 25x25x25  
32x32x32



**ART.8513**  
Cross

**Size:**

16x16x16x16 18x18x18x18  
20x20x20x20



**ART.8516**  
Plastic base elbow

**Size:**

16 18 20



**ART.8507**  
Female wallplate elbow

**Size:**

16x1/2" 18x1/2" 20x3/4"



**ART.8508**  
Straight connector

**Size:**

16x16 18x18 20x20  
25x25 32x32



**ART.8514**  
Plastic base elbow

**Size:**

16 18 20



**ART.8517**  
Plastic base elbow

**Size:**

16 18 20



**ART.8509**  
Male connector

**Size:**

16x1/2"~18x1/2" 20x1/2" 16x3/4"  
20x3/4" 25x3/4" 32x3/4" 25x1"  
32x1"



**ART.8515**  
Female connector

**Size:**

16x1/2" 18x1/2" 20x1/2"  
16x3/4" 20x3/4" 25x3/4"  
32x3/4" 25x1" 32x1"



**ART.8518**  
Plastic base elbow

**Size:**

16 18 20



**ART.8519**  
Plastic base elbow

**Size:**

16 18 20



**ART.8110**  
Female connector

**Size:**

20x1/2"F~25x3/4"F  
32x1"F~ 40x1-1/4"F  
50x1-1/2"F~63x2"F



**ART.8111**  
Male connector

**Size:**

20x1/2"M~ 25x3/4"M  
32x1"M~ 40x1-1/4"M  
50x1-1/2"M~63x2"M



**ART.8118**  
Female elbow

**Size:**

20x1/2"F~25x3/4"F  
32x1"F~ 40x1-1/4"F  
50x1-1/2"F~63x2"F



**ART.8119**  
Male elbow

**Size:**

20x1/2"M~25x3/4"M  
32x1"M~ 40x1-1/4"M  
50x1-1/2"M~63x2"M



**ART.8112**  
Female wallplate elbow

**Size:**

20x1/2"F~25x3/4"F  
32x1"F~ 40x1-1/4"F  
50x1-1/2"F~63x2"F



**ART.8113**  
Male tee

**Size:**

20x1/2"Mx20~25x3/4"Mx25  
32x1"Mx32~ 40x1-1/4"Mx40  
50x1-1/2"Mx50~63x2"Mx63



**ART.8124**  
Straight connector

**Size:**

20x20 25x25 32x32  
40x40 50x50 63x63



**ART.8125**  
Straight connector

**Size:**

20x20 25x25 32x32  
40x40 50x50 63x63



**ART.8114**  
Tee

**Size:**

20x20x20 25x25x25 32x32x32  
40x40 x40 50x50x50 63x63x63



**ART.8115**  
Female tee

**Size:**

20x1/2"Fx20~25x3/4"Fx25  
32x1"Fx32~ 40x1-1/4"Fx40  
50x1-1/2"Fx50~63x2"Fx63



**ART.8123**  
Reduced straight connector

**Size:**

25mmx3/4" 32mmx1"



**ART.8122**  
Ball valve with connector

**Size:**

25mmx3/4" 32mmx1"



**ART.8116**  
Straight connector

**Size:**

20x20 25x25 32x32  
40x40 50x50 63x63



**ART.8117**  
Elbow

**Size:**

20x20 25x25 32x32  
40x40 50x50 63x63



**ART.8120**  
Ball valve with double connector

**Size:**

20x20 25x25 32x32  
40x40 50x50 63x63



**ART.8121**  
Ball valve with connector

**Size:**

25mmx3/4" 32mmx1"

**ART.8801** Outlet



Size: 1/2" 3/4" 1" 1-1/4"  
1-1/2" 2"

**ART.8802** Connector



Size: 1/2" 3/4" 1" 1-1/4"  
1-1/2" 2"

**ART.8205** Garden connector



Size: 3/4"x3/4" x3/4"  
1"x1" x1"

**ART.8202** Female quick connector



Size: 1/4" 3/8" 1/2" 3/4" 1"  
1-1/4"

**ART.8203** Male quick connector



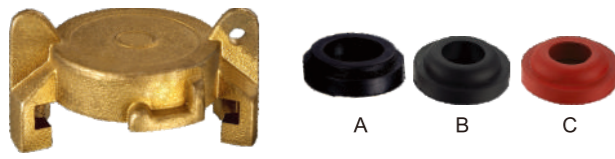
Size: 1/4" 3/8" 1/2" 3/4" 1"  
1-1/4"

**ART.8201** Quick connector



Size: 7/9 9/11 11/13 13/16  
16/18 19/21 22/25 25/27

**ART.8204** Quick plug



Size: 30/47

**ART.8701-1** Base



Size: 1/2"x14 1/2"x12

**ART.8701** Base



Size: 1/2"x14 1/2"x12

**ART.8701-1** Double Base



Size: 3/8"x1/2"x1/2"

**ART.8701-2** Double Base



Size: 3/8"x1/2"x1/2"

**ART.8702** Base



Size: 1/2"x3/4"

**ART.8704** shower stall elbow



Size: 1/2"NPTX1/2"NPT

**ART.8703** shower stall elbow



Size: 1/2"PEXX1/2"NPT

**ART.8601** Polished connector



Size: 1/2"x10 1/2"x15 1/2"x20 1/2"x25 1/2"x30  
1/2"x40 1/2"x50 1/2"x60 1/2"x80 1/2"x100  
3/4"x10 3/4"x15 3/4"x20 3/4"x25 3/4"x30

**ART.8604** Connector pipe



Size: 3/8"x10 1/2"x10

**ART.8605** T-Fittings



Size: 3/8"X3/8"X1/2"  
1/2"X1/2"X1/2"

**ART.8603** Connector pipe



Size: 1/2"x10

**ART.8602** L.connector pipe



Size: 1/2"x1/2"

**ART.8906** Connector



Size: 1/2"x3/4"

**ART.8902** Painted plug



Size: M6

**ART.8903** Plug



Size: M6

**ART.8901** Plug



Size: M12

**ART.8904** Plug



Size: 3/8"

**ART.8905** Plug(stainless steel)



Size: M6

**ART.8905-1** Plug(Brass)



Size: M6



**ART.A201**  
Connector pipe

Size:  
1/2"x3/4"



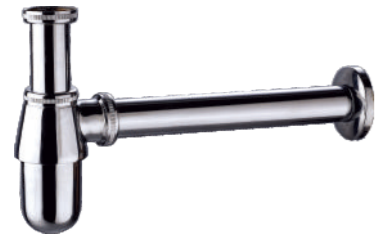
**ART.A202**  
Connector pipe

Size:  
3/4"x14



**ART.A206**  
Connector pipe

Size:  
1/2"x3/4"



**ART.A105**  
Trap

Size:  
1-1/4"



**ART.A104**  
Trap

Size:  
1-1/4"



**ART.A207**  
Faucet

Size:  
60mm 70mm 80mm  
90mm 100mm 110mm  
120mm 130mm



**ART.R8003**  
Female insert

Size:  
20 25 32  
40 50 63



**ART.R8004**  
Male insert

Size:  
20 25 32  
40 50 63



**ART.R1001**  
Ball valve with  
female connector

Size:  
20x1/2"F 25x3/4"F  
32x1"F



**ART.R1002**  
Ball valve with  
double connector

Size:  
20x20 25x25 32x32  
40x40 50x50 63x63 75x75



**ART.R1003**  
Ball valve with male  
connector

Size:  
20x1/2"M 25x1/2"M  
32x1/2"M