

MBQ[®]



MBQ

ACTIVE SUBWOOFER

SW-152

MAXIMUM POWER 380W

Patent No.ZL201620700978.3

2019

CATALOGUE

MBQ CAR AUDIO



MBQ® PHILOSOPHY

MUSIC, TO US, IS LIFE.

Fundamentally, music is about losing ourselves to the present moment, turning off the thoughts and worries in our minds, and simply riding a wave of pure, unbridled bliss. Music is about letting go, letting the artist be responsible for how we feel instead of carrying the burden ourselves.

But that's hard to do. After all, we're busy. We work hard, we have kids, we have stress, we're overloaded. And now more than ever, that's why car audio is so important.

Sometimes when life overwhelms us, the best remedy is firing up our car, rolling down the windows, cranking up our tunes, and feeling the beats—phone calls, emails, and the whole rest of the world be out of mind.

Because right now, we're driving.

Our worry is that almost no one knows how to work on car audio systems, much less make them sound great. With a combined 30 plus years of car audio experience and knowledge in the industry, we're able to provide easy and effective audio upgrades for your vehicle. With MBQ®, great sound finally is simple. Now you just have to enjoy it. We'll take care of the rest.



MAX POWER
380W

SW-152

SPARE TIRE ACTIVE SUBWOOFER

- Rigid sealed cast aluminum enclosure
- Plug and Play connection system
- Aluminum speaker cone
- Built-in peak power 380Watts amplification
- Completely hidden installation
- Remote control provided for volume control, low-pass control and phase switch.
- Automatic turn-on

SPARE TIRE SUBWOOFER



SPACE EFFICIENT

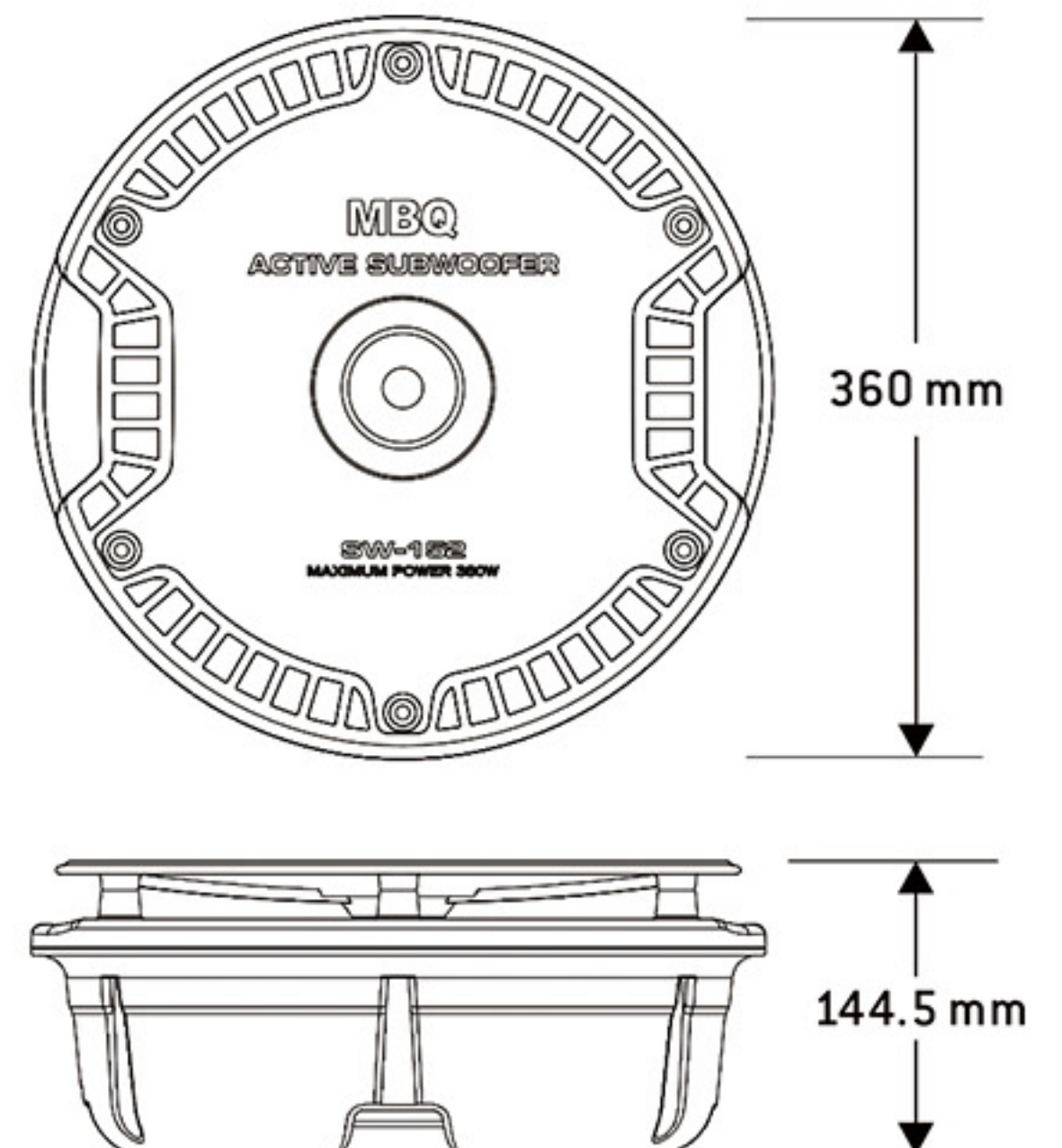


AUTO TURN-ON



380W
MAX POWER

- Materials : Cast Aluminum
- Max Power : 380W
- RMS Power : 200W
- Speaker Size : Dual 5 × 8 inch
- Sensitivity : 92dB
- Voltage : 12V
- Impedance : 2.2Ω + 2.2Ω
- Frequency response : 40-150 Hz
- Dimensions : Φ 360 x H 144.5 (mm)
- Input level : Speaker and RCA Inputs
- Net weight : 7.3 Kg





MAX POWER
380W

LW-152

SPARE TIRE ACTIVE SUBWOOFER

- Rigid sealed cast aluminum enclosure
- Plug and Play connection system
- Aluminum speaker cone
- Built-in peak power 380Watts amplification
- Completely hidden installation
- Remote control provided for volume control, low-pass control and phase switch.
- Automatic turn-on

SPARE TIRE SUBWOOFER



SPACE EFFICIENT

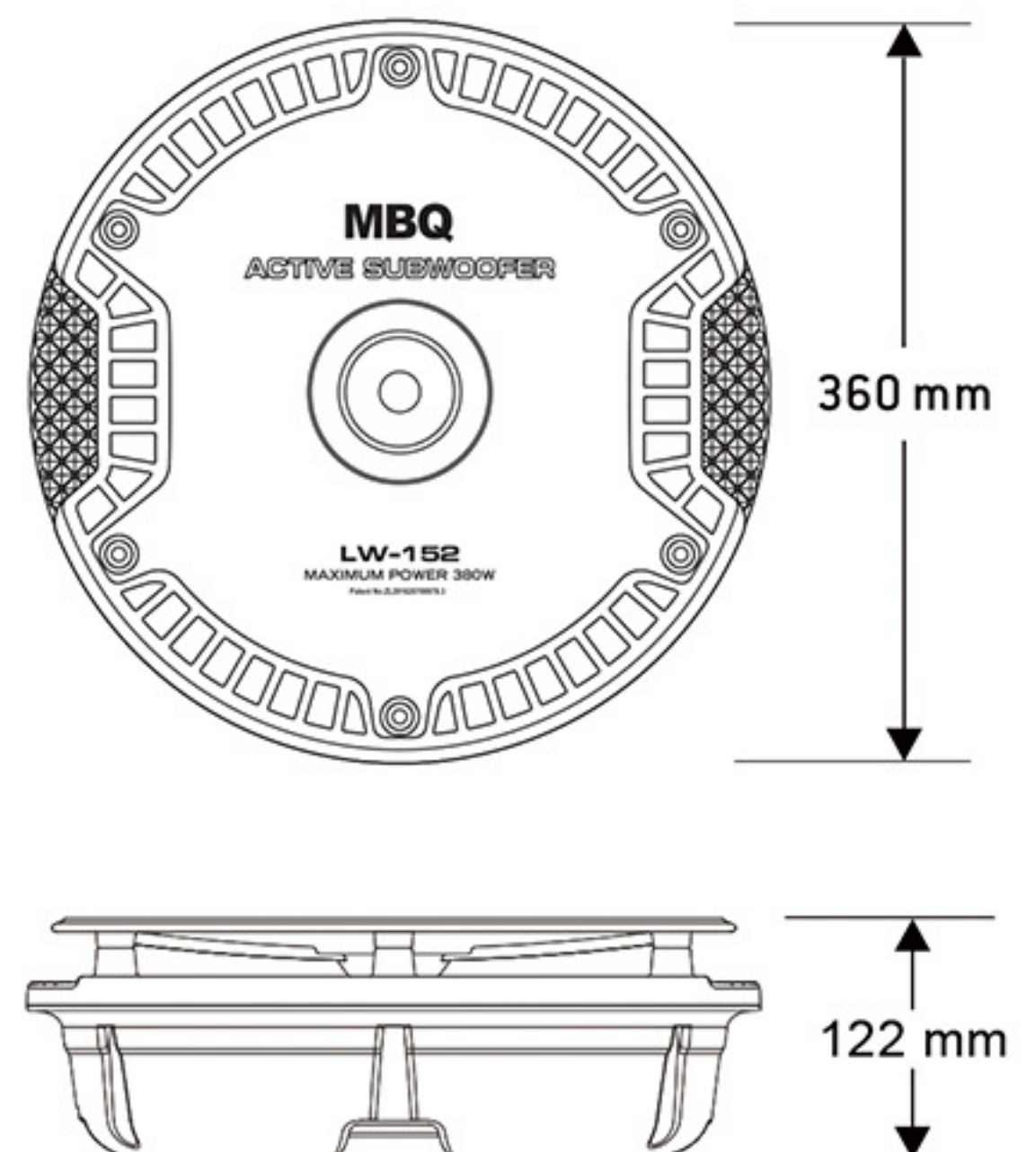


AUTO TURN-ON



380W
MAX POWER

- Materials : Cast Aluminum
- Max Power : 380W
- RMS Power : 200W
- Speaker Size : Dual 5 × 8 inch
- Sensitivity : 92dB
- Voltage : 12V
- Impedance : 2.2Ω + 2.2Ω
- Frequency response : 40-150 Hz
- Dimensions : Φ 360 x H 122 (mm)
- Input level : Speaker and RCA Inputs
- Net weight : 7.0 Kg





MAX POWER
450W

AB803

8" ACTIVE
SUBWOOFER

- Patent Design Passive Radiator Technology
- Rigid sealed cast aluminum enclosure
- Aluminum speaker cone
- Built-in peak power 450Watts amplification
- Easy installed underseat
- Remote control provided for volume control, low-pass control and phase switch.
- Automatic turn-on

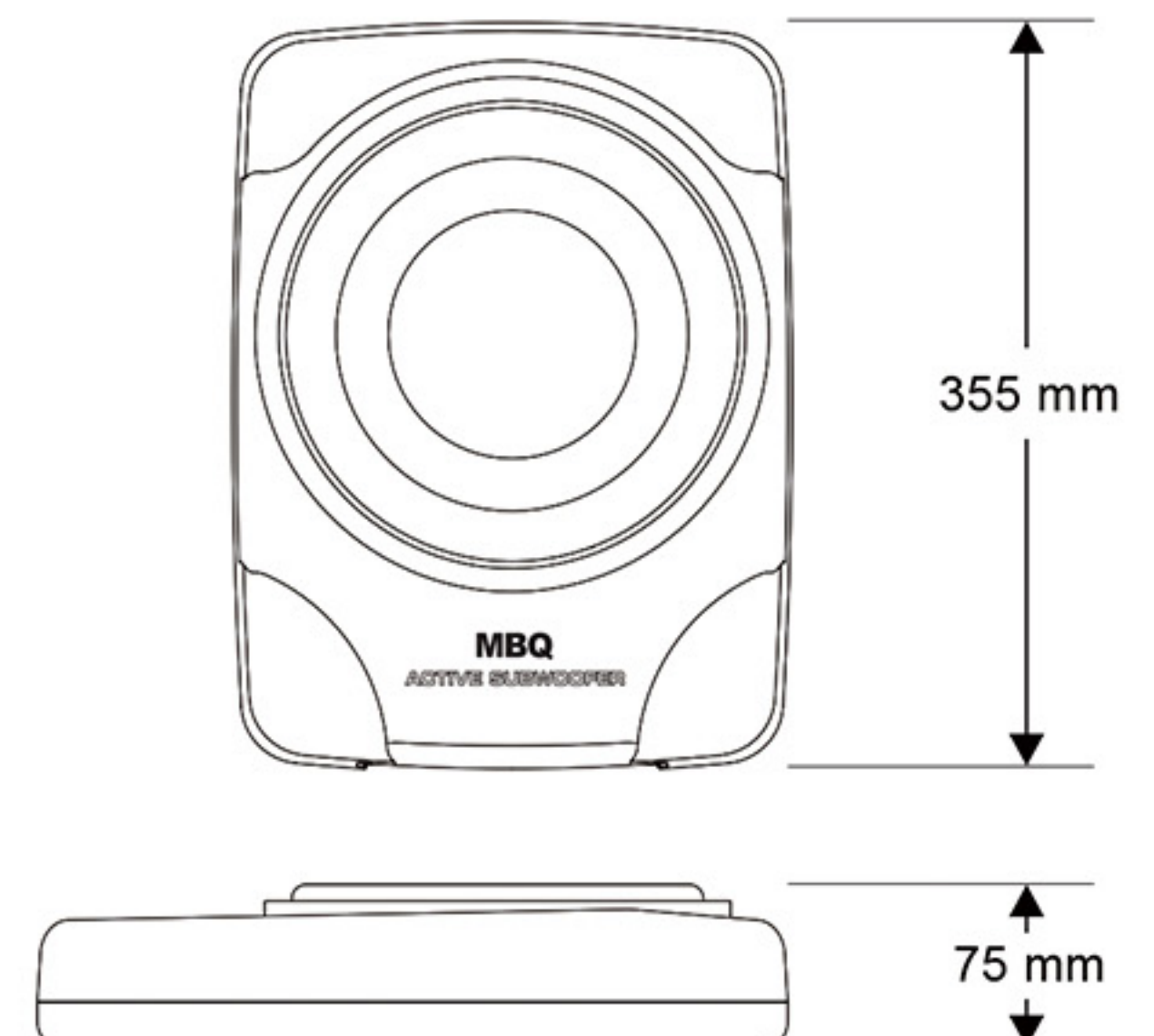
ACTIVE SUBWOOFER

PASSIVE RADIATOR
TECHNOLOGY

AUTO TURN-ON

450W
MAX POWER

- Materials : Cast Aluminum
- Max Output Power : 450W
- Rated Output Power : 150W
- Size : 8 inch
- Sensitivity : 91dB
- Voltage : 12 V
- Impedance : 2 Ω
- Frequency Response : 20-150 Hz
- Dimensions : 355 x 265 x 75 mm





MAX POWER
160W

AW-800e

8" ACTIVE
SUBWOOFER

- Rigid sealed cast aluminum enclosure
- Aluminum speaker cone
- Built-in peak power 160Watts amplification
- Easy installed underseat
- Remote control provided for volume control, low-pass control and phase switch.
- Automatic turn-on

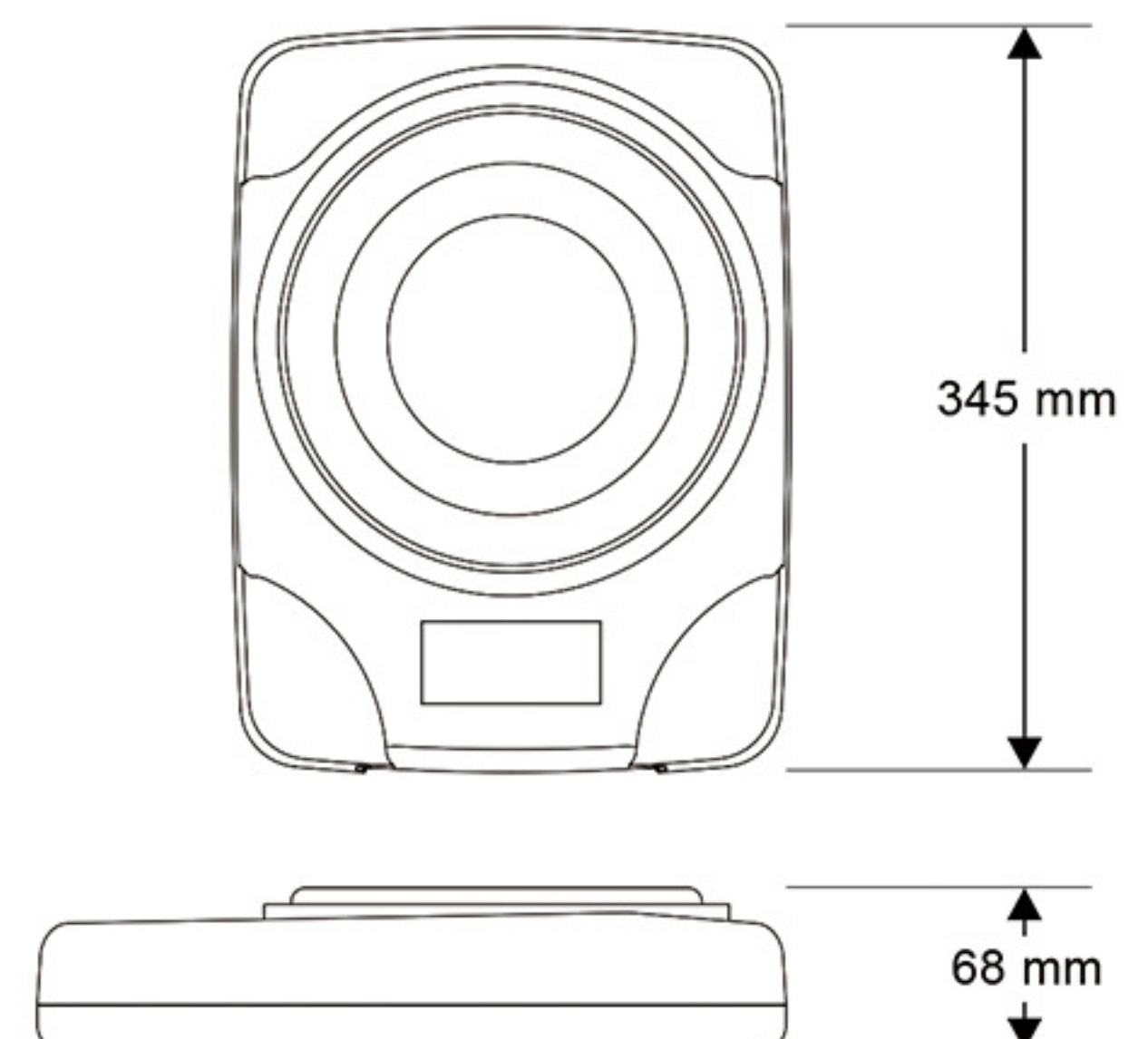


COLOR CHOICES    

ACTIVE SUBWOOFER



- Materials : Cast Aluminum
- Max Output Power : 160W
- Rated Output Power : 100W
- Size : 8 inch
- Sensitivity : 91dB
- Voltage : 12 V
- Impedance : 2Ω + 2Ω
- Frequency Response : 50-100 Hz
- Dimensions : 345 x 240 x 68 mm





MAX POWER
180W

AW-10e

10" ACTIVE
SUBWOOFER

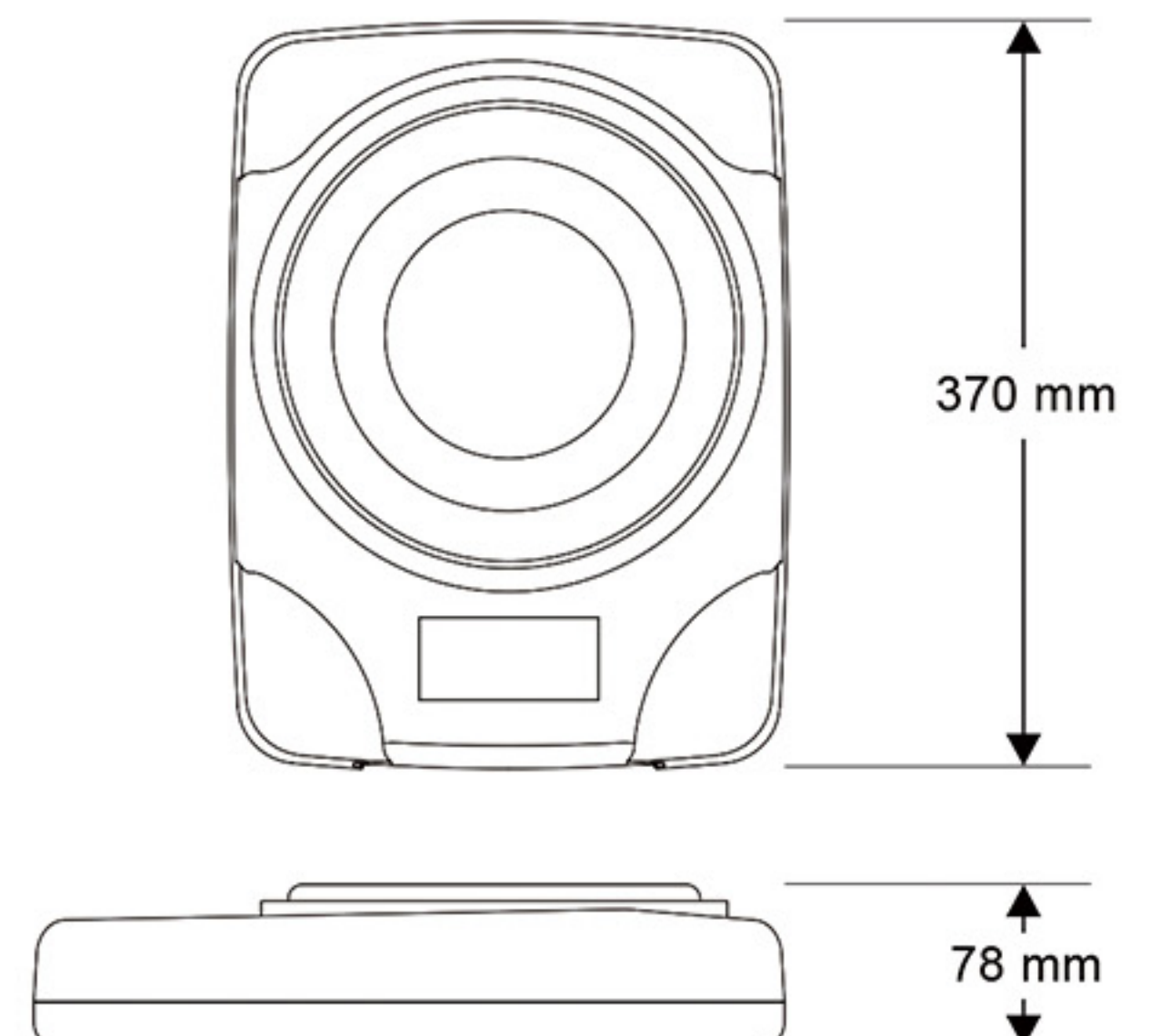
- Rigid sealed cast aluminum enclosure
- Aluminum speaker cone
- Built-in peak power 180Watts amplification
- Easy installed underseat
- Remote control provided for volume control, low-pass control and phase switch.
- Automatic turn-on



ACTIVE SUBWOOFER



- Materials : Cast Aluminum
- Max Output Power : 180W
- Rated Output Power : 120W
- Size : 10 inch
- Sensitivity : 91dB
- Voltage : 12 V
- Impedance : 2Ω + 2Ω
- Frequency Response : 50-100 Hz
- Dimensions : 370 x 275 x 78 mm





MAX POWER
160W

AW-800C

8" ACTIVE
SUBWOOFER

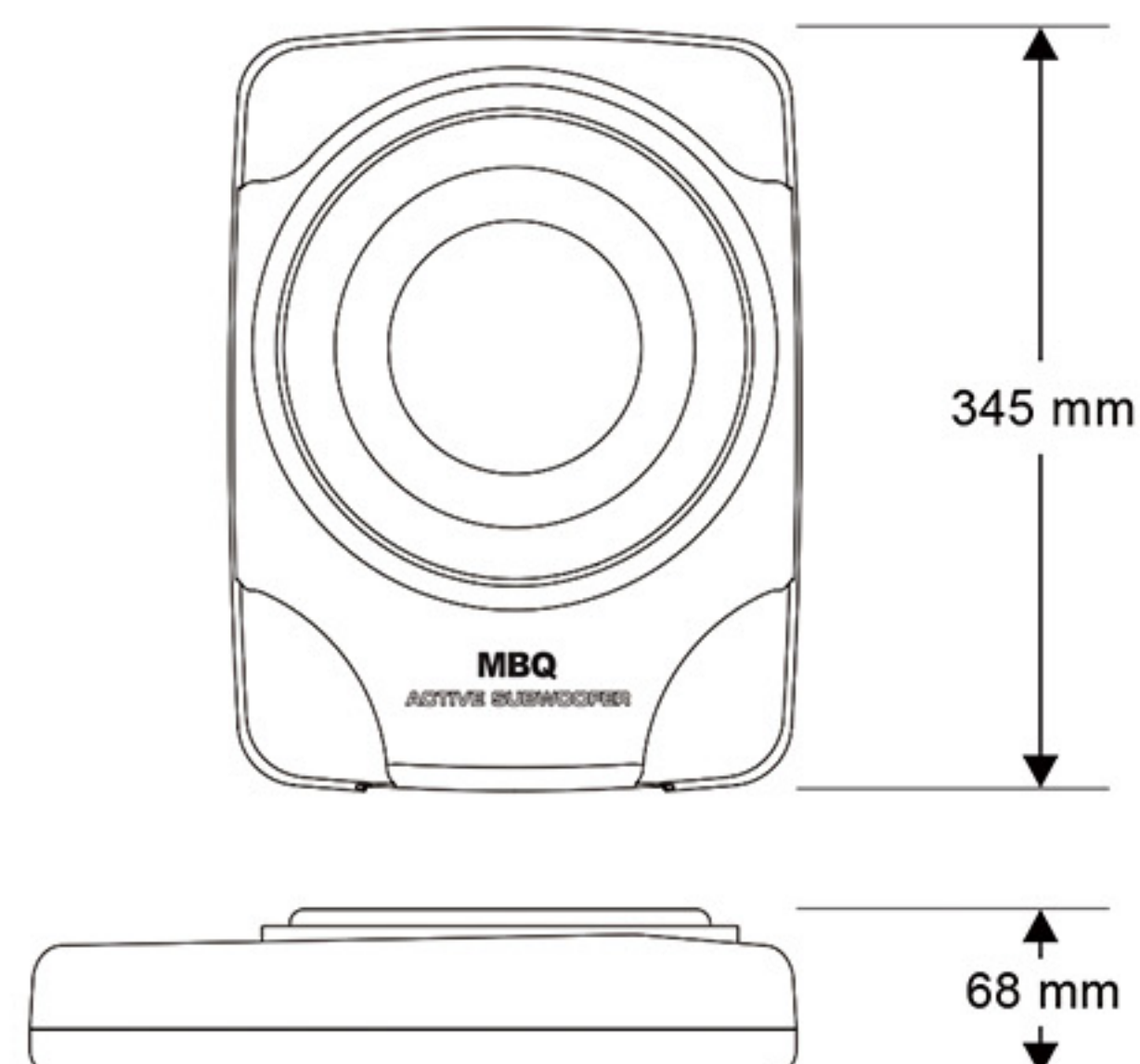
- Rigid sealed cast aluminum enclosure
- Aluminum speaker cone
- Built-in peak power 160Watts amplification
- Easy installed underseat
- Remote control provided for volume control, low-pass control and phase switch.
- Automatic turn-on



ACTIVE SUBWOOFER



- Materials : Cast Aluminum
- Max Output Power : 160W
- Rated Output Power : 100W
- Size : 8 inch
- Sensitivity : 91dB
- Voltage : 12 V
- Impedance : 2Ω + 2Ω
- Frequency Response : 50-100 Hz
- Dimensions : 345 x 240 x 68 mm





MAX POWER
180W

AW-10C

10" ACTIVE
SUBWOOFER

- Rigid sealed cast aluminum enclosure
- Aluminum speaker cone
- Built-in peak power 180Watts amplification
- Easy installed underseat
- Remote control provided for volume control, low-pass control and phase switch.
- Automatic turn-on



ACTIVE SUBWOOFER



EASY INSTALLATION

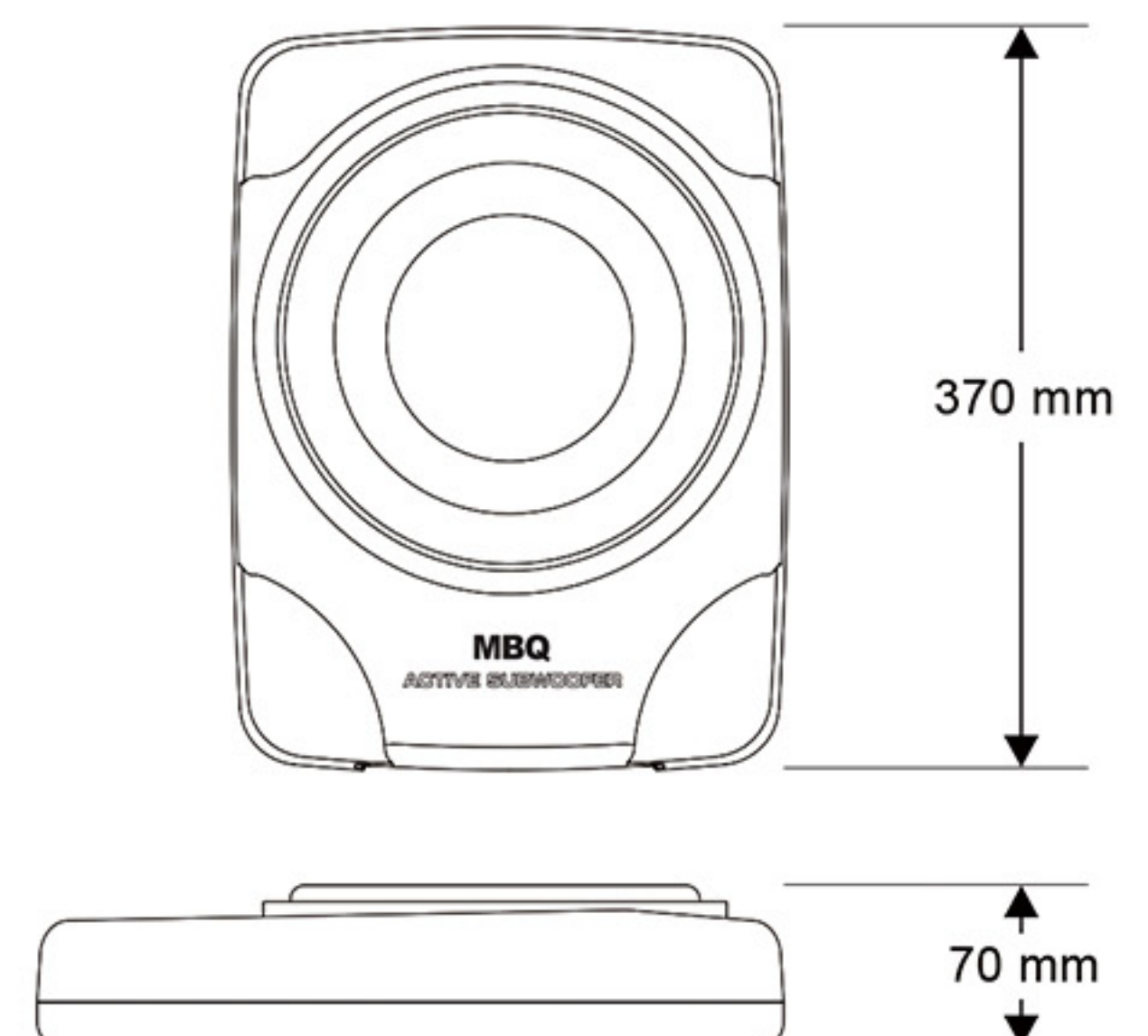


AUTO TURN-ON



DUAL VOICE COILS

- Materials : Cast Aluminum
- Max Output Power : 180W
- Rated Output Power : 120W
- Size : 10 inch
- Sensitivity : 91dB
- Voltage : 12 V
- Impedance : 2Ω + 2Ω
- Frequency Response : 30-150 Hz
- Dimensions : 370 x 275 x 70 mm





MAX POWER
240W

MB-8R

8" ACTIVE
SUBWOOFER

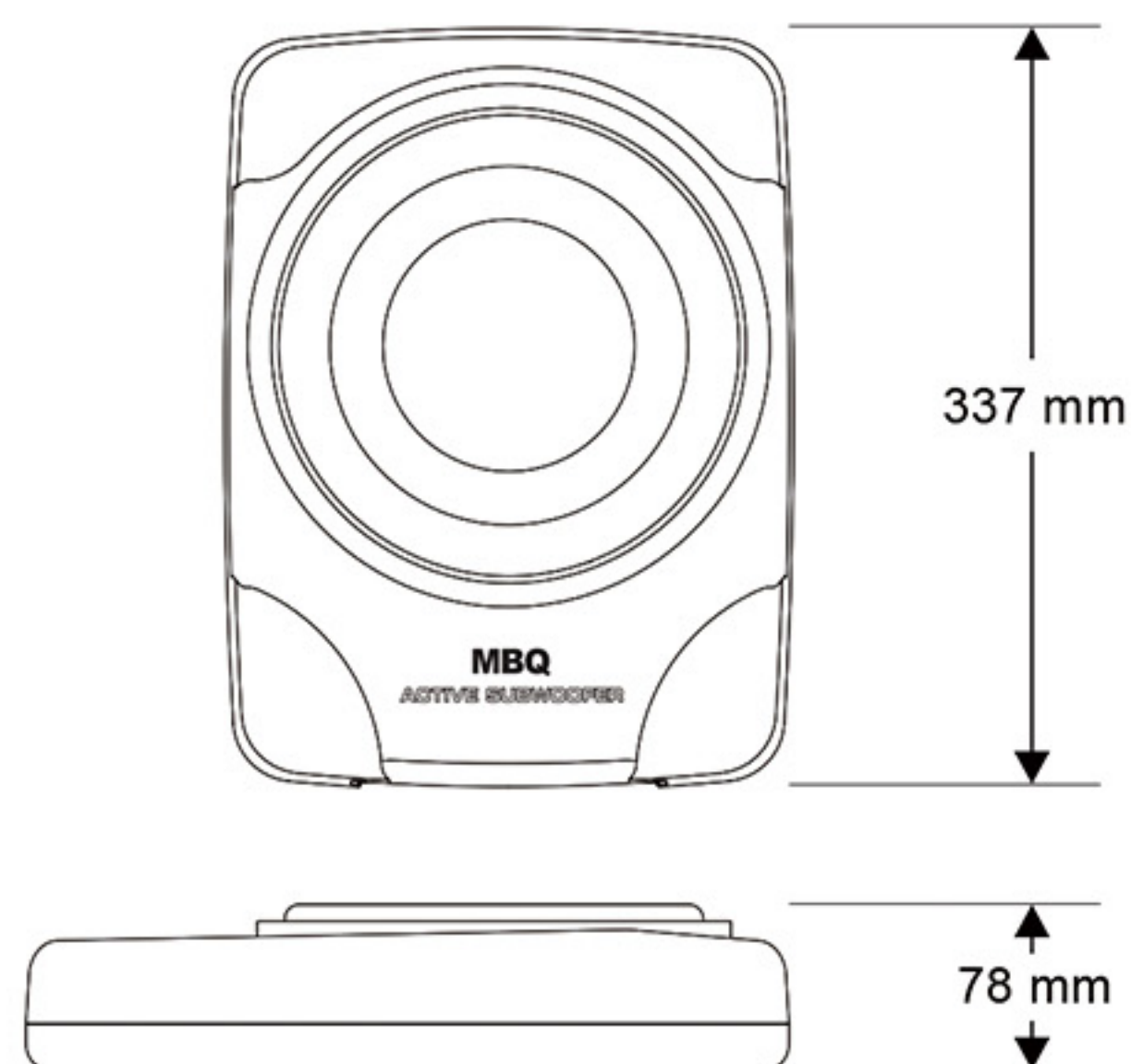
- Built-in peak power 240W amplifier
- Compact size for easy installation
- Dual voice coils, better sound quality
- Rigid sealed cast aluminum enclosure
- Remote control provided for volume control, low-pass control and phase switch
- Automatic turn-on



ACTIVE SUBWOOFER



- Materials : Cast Aluminum
- Max Output Power : 240W
- Rated Output Power : 120W
- Size : 8 inch
- Sensitivity : 91dB
- Voltage : 12 V
- Impedance : 2Ω + 2Ω
- Frequency Response : 30-100 Hz
- Dimensions : 337 x 245 x 78 mm





MAX POWER
360W

MB-10R

10" ACTIVE
SUBWOOFER

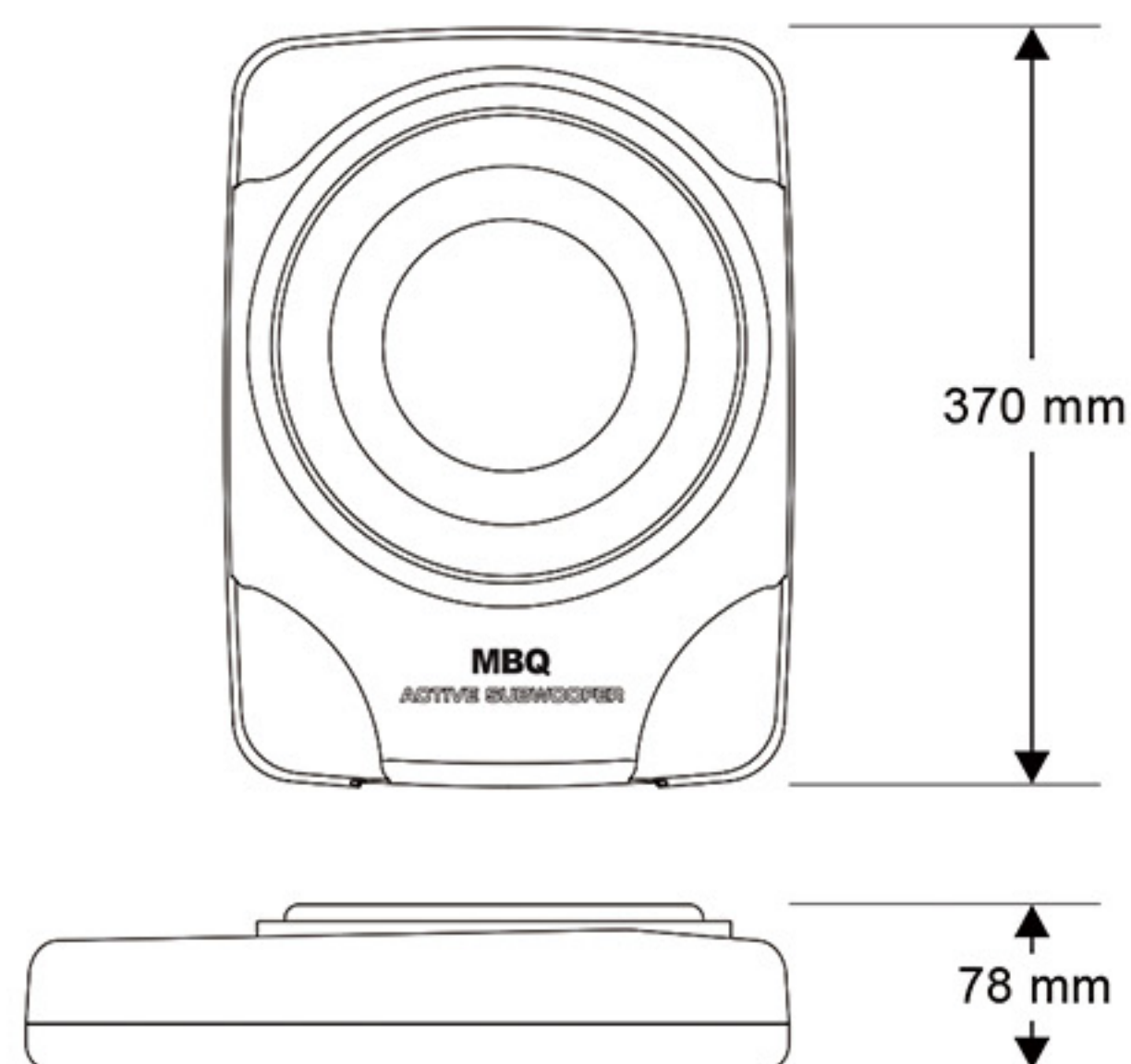
- Built-in peak power 360W amplifier
- Compact size for easy installation
- Triple voice coils, better sound quality
- Rigid sealed cast aluminum enclosure
- Remote control provided for volume control, low-pass control and phase switch
- Automatic turn-on



ACTIVE SUBWOOFER



- Materials : Cast Aluminum
- Max Output Power : 360W
- Rated Output Power : 180W
- Size : 10 inch
- Sensitivity : 91dB
- Voltage : 12 V
- Impedance : $2\Omega + 2\Omega + 2\Omega$
- Frequency Response : 30-100 Hz
- Dimensions : 370 x 275 x 78 mm





MAX POWER
160W

AB63

8" ACTIVE
SUBWOOFER

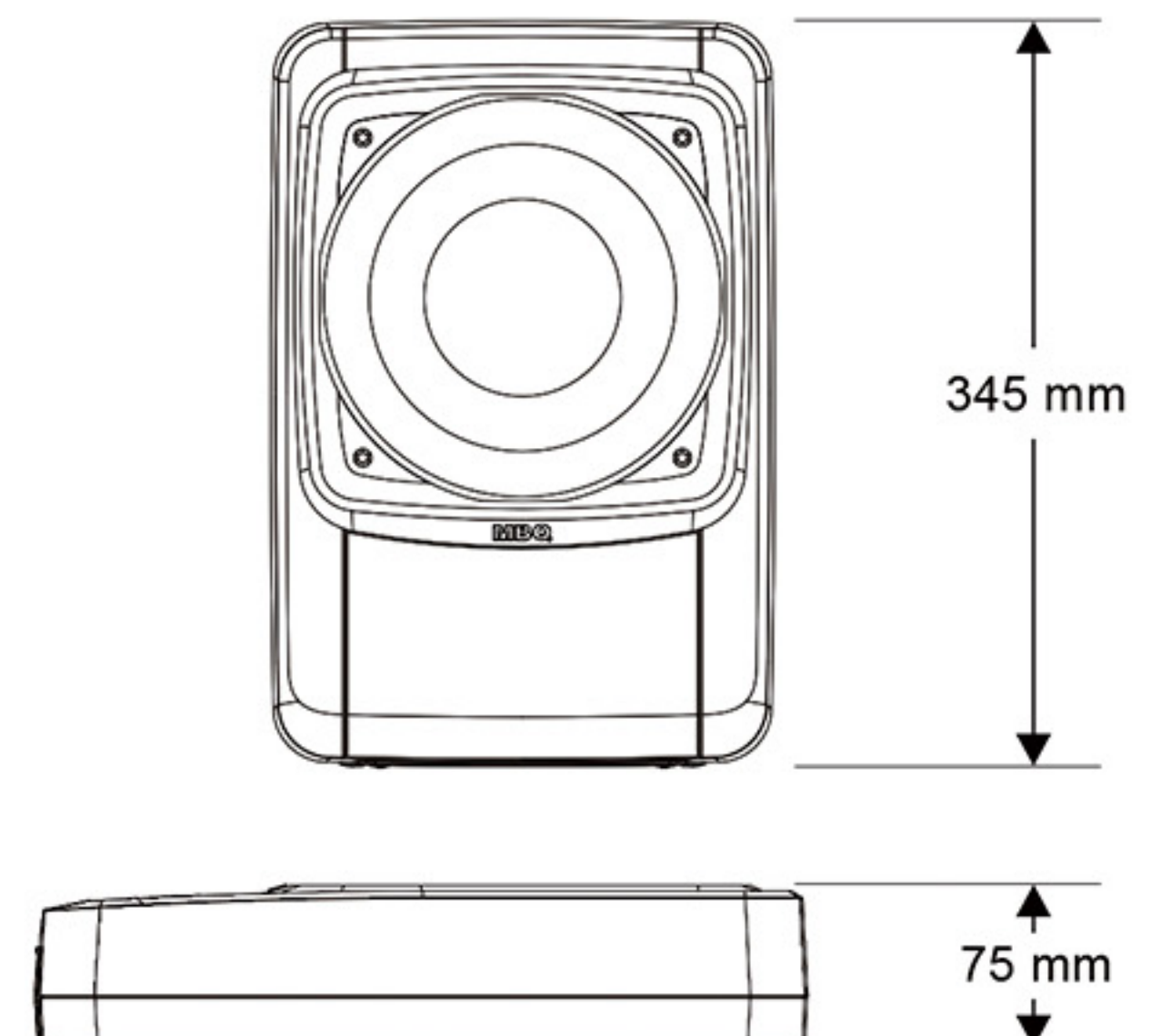
- Built-in peak power 160W amplifier
- Compact size for easy installation
- Rigid sealed cast aluminum enclosure
- Remote control provided for volume control, low-pass control and phase switch
- Automatic turn-on



ACTIVE SUBWOOFER



- Materials : Cast Aluminum
- Max Output Power : 160W
- Rated Output Power : 100W
- Size : 8 inch
- Sensitivity : 91dB
- Voltage : 12 V
- Impedance : 2Ω + 2Ω
- Frequency Response : 30-150 Hz
- Dimensions : 345 x 234 x 75 mm





MAX POWER
220W

AB60-2.1

8" 2.1-CHANNEL
ACTIVE SUBWOOFER

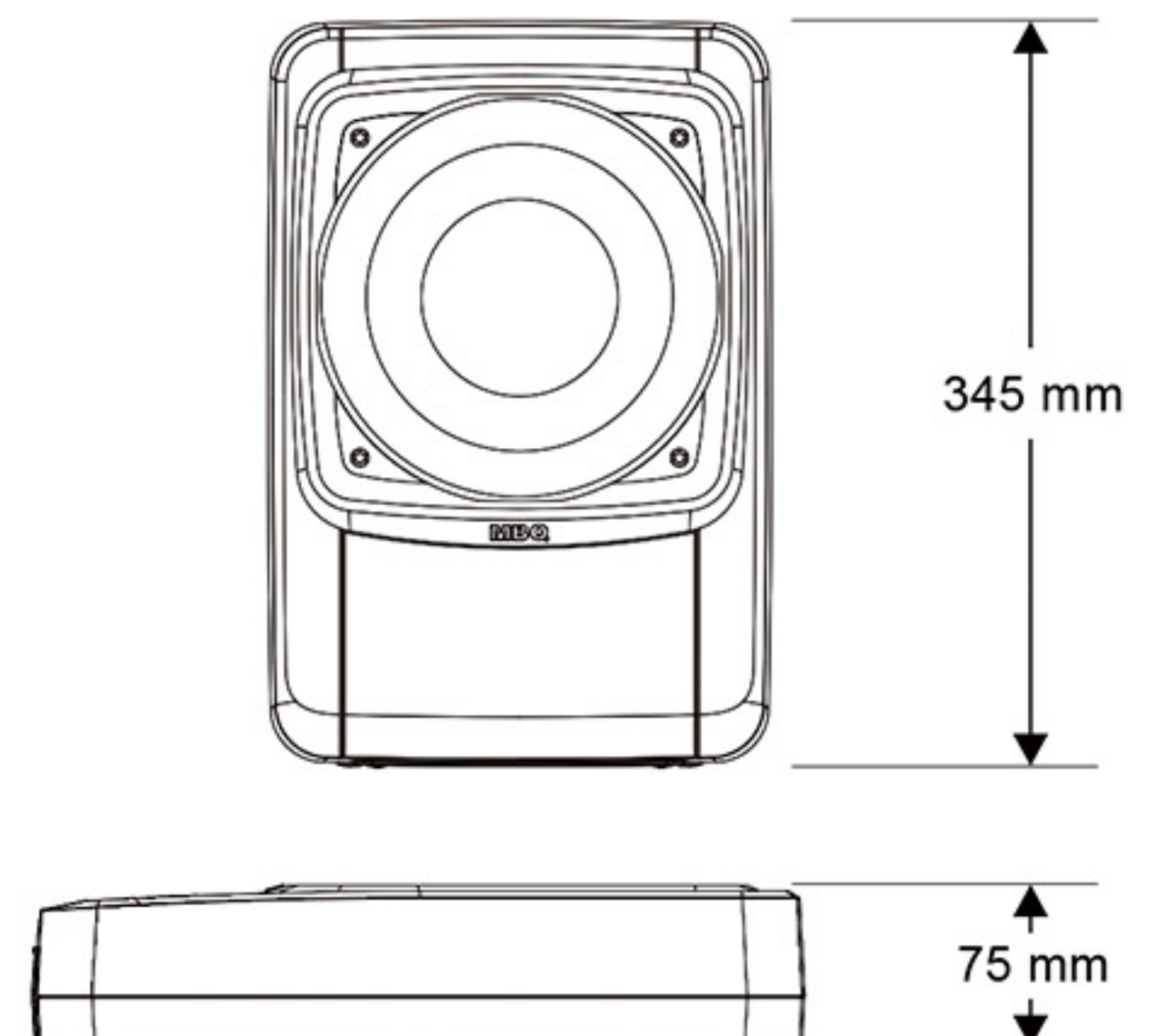
- 2-Channel amplifier output
- Able to drive two front speakers
- Built-in peak power 220W Class AB amplifier
- Compact size for easy installation
- Rigid sealed cast aluminum enclosure
- Remote control provided for volume control, low-pass control and phase switch
- Automatic turn-on



ACTIVE SUBWOOFER



- Materials : Cast Aluminum
- Max Output Power : 220W(Subwoofer)
+ 110W x2(Front Speakers)
- Size : 8 inch
- Sensitivity : 91dB
- Voltage : 12 V
- Impedance : 2Ω + 2Ω
- Frequency Response : 30-150 Hz(Subwoofer)
55-20k Hz(Front Speakers)
- Dimensions : 345 x 234 x 75 mm





MAX POWER
160W

B-60

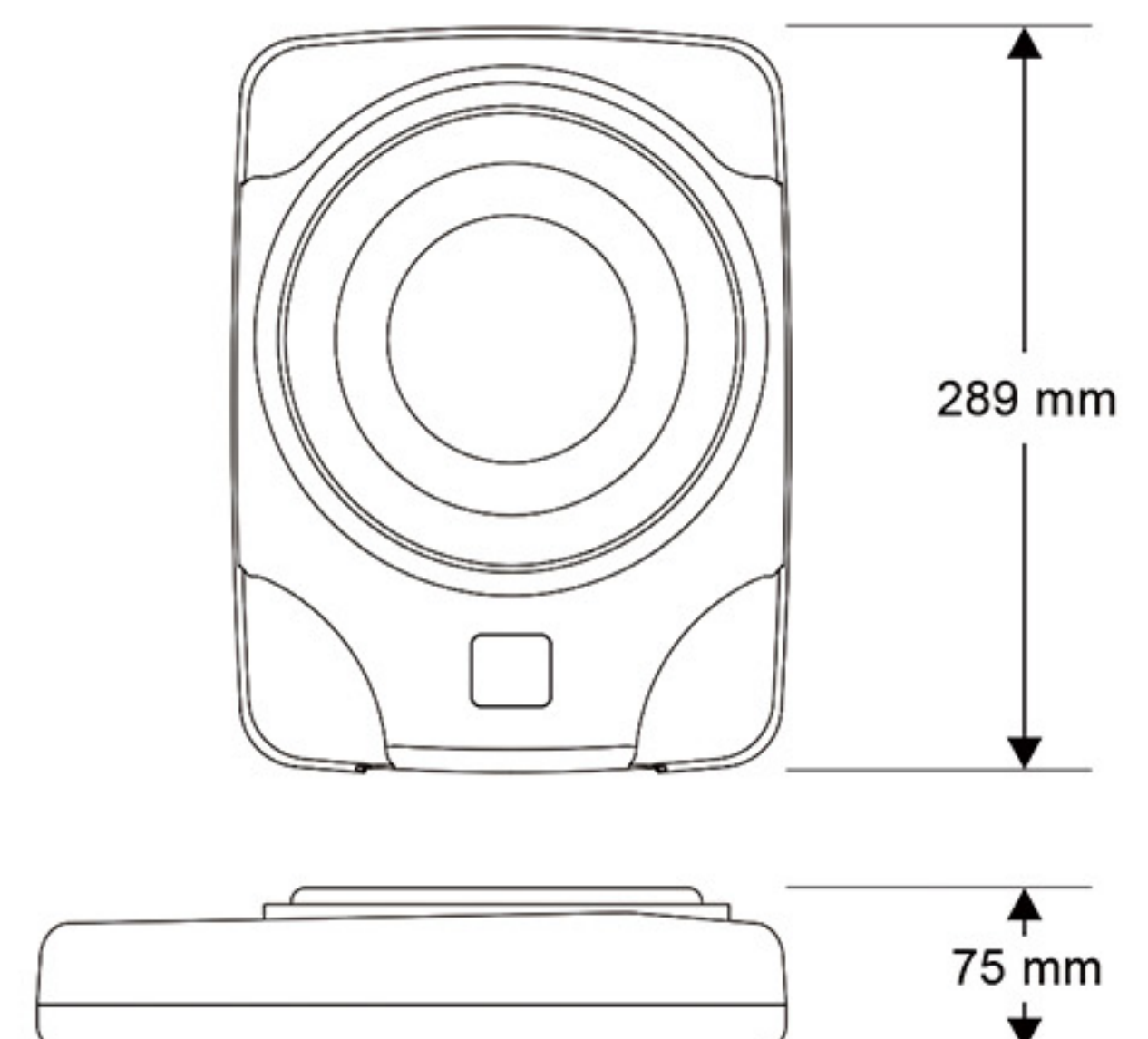
6" ACTIVE
SUBWOOFER

- Rigid sealed cast aluminum enclosure
- Aluminum speaker cone
- Built-in peak power 160Watts amplification
- Easy installed underseat
- Remote control provided for volume control, low-pass control and phase switch.
- Automatic turn-on

ACTIVE SUBWOOFER



- Materials : Cast Aluminum
- Max Output Power : 160W
- Rated Output Power : 100W
- Size : 6 inch
- Sensitivity : 91dB
- Voltage : 12 V
- Impedance : 2Ω + 2Ω
- Frequency Response : 30-150 Hz
- Dimensions : 289 x 220 x 75 mm





MAX POWER
320W

B-260

DUAL 6" ACTIVE
SUBWOOFER

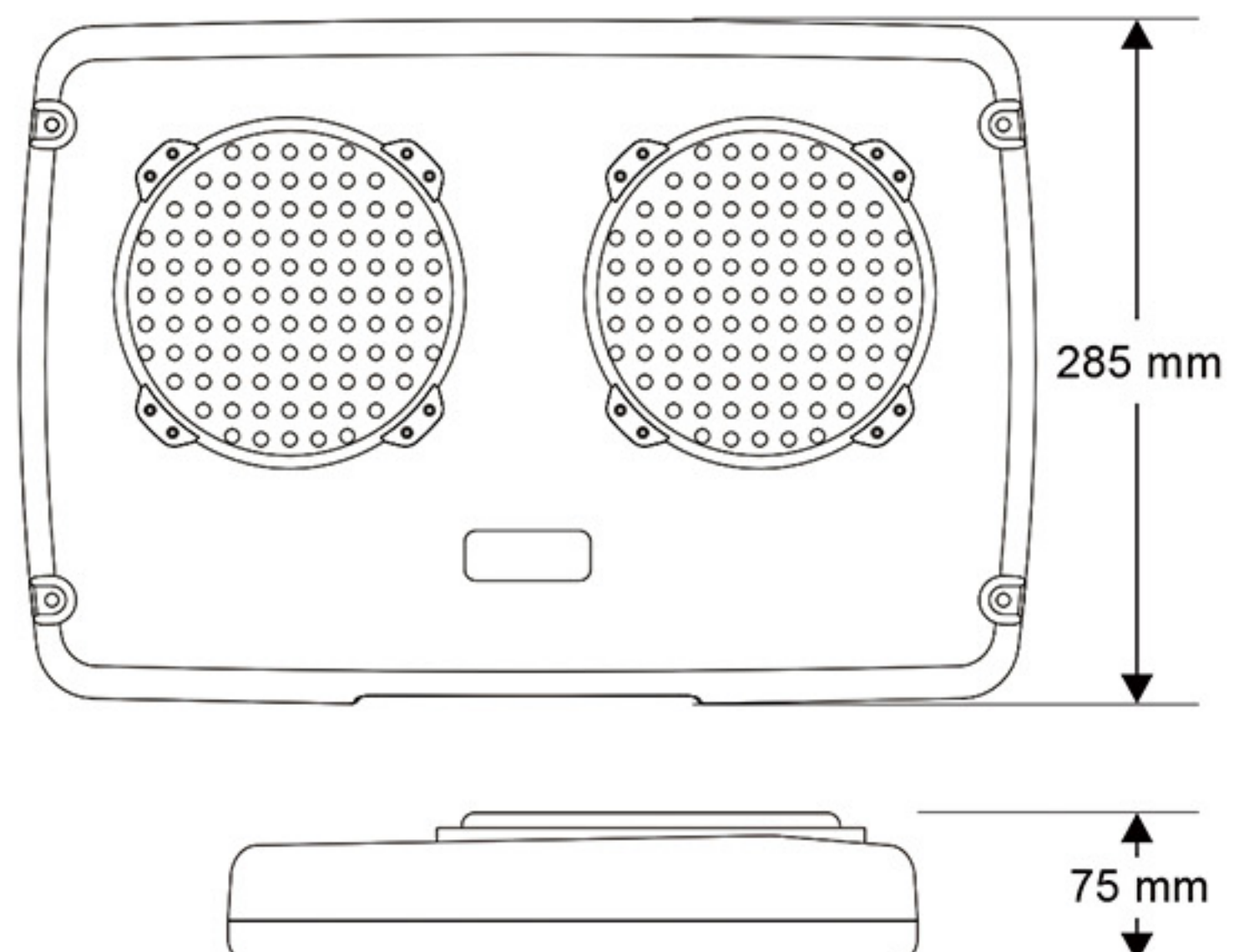
- Rigid sealed cast aluminum enclosure
- Aluminum speaker cone
- Built-in peak power 320Watts amplification
- Easy installed underseat
- Remote control provided for volume control, low-pass control and phase switch.
- Automatic turn-on



ACTIVE SUBWOOFER



- Materials : Cast Aluminum
- Max Output Power : 320W
- Rated Output Power : 200W
- Size : Dual 6 inch
- Sensitivity : 91dB
- Voltage : 12 V
- Impedance : $2\Omega + 2\Omega + 2\Omega + 2\Omega$
- Frequency Response : 30-100 Hz
- Dimensions : 285 x 380 x 75 mm





MAX POWER
150W

PB-12

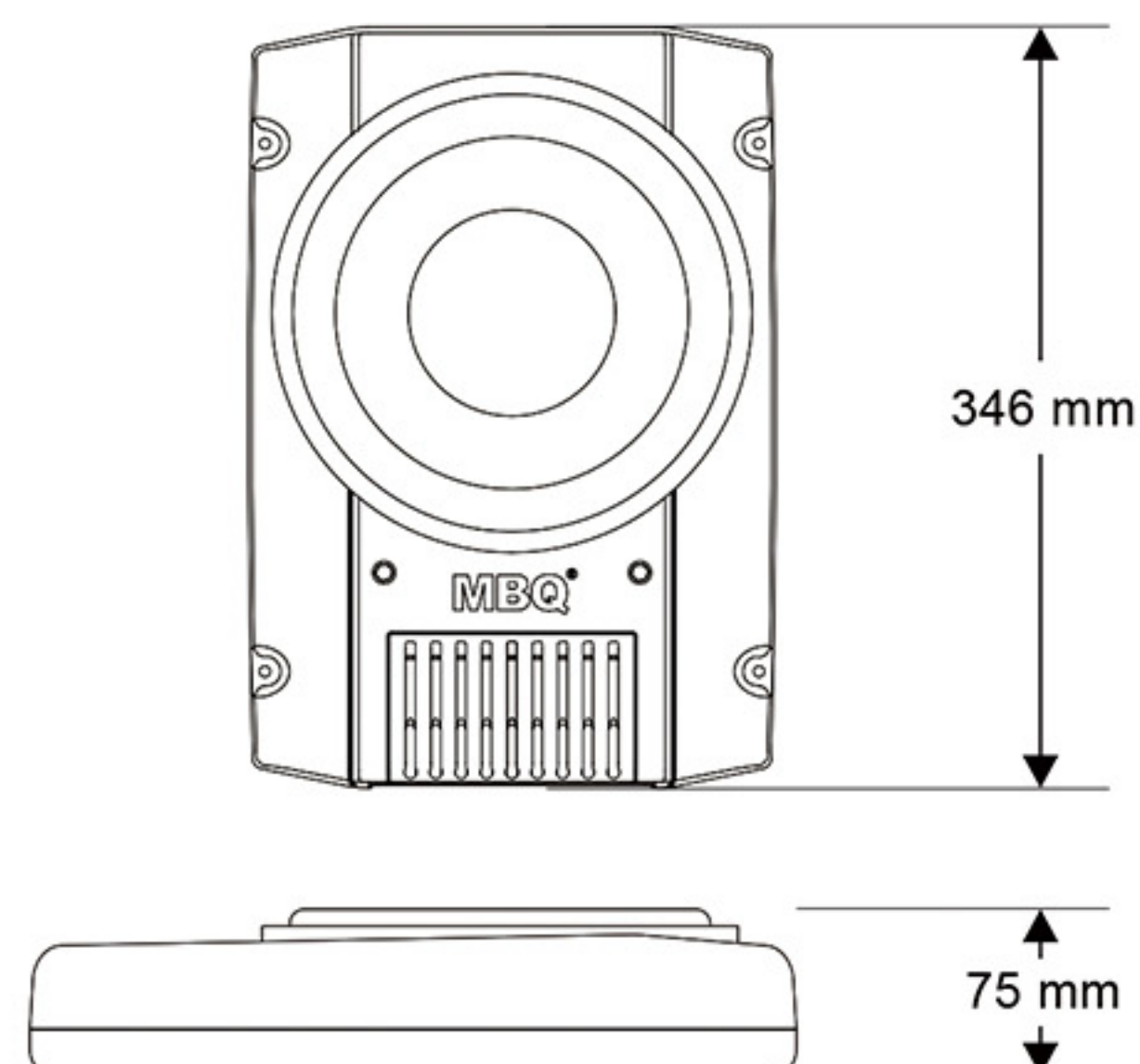
8" ACTIVE
SUBWOOFER

- Built-in heat sink system
- Aluminum speaker cone
- Built-in peak power 150Watts amplification
- Easy installed underseat
- Remote control provided for volume control, low-pass control and phase switch.
- Automatic turn-on

ACTIVE SUBWOOFER



- Materials : Plastic
- Max Output Power : 150W
- Rated Output Power : 100W
- Size : 8 inch
- Sensitivity : 91dB
- Voltage : 12 V
- Impedance : 2Ω + 2Ω
- Frequency Response : 30-150 Hz
- Dimensions : 346 x 240 x 75 mm





MAX POWER
150W

PC-12

10" ACTIVE
SUBWOOFER

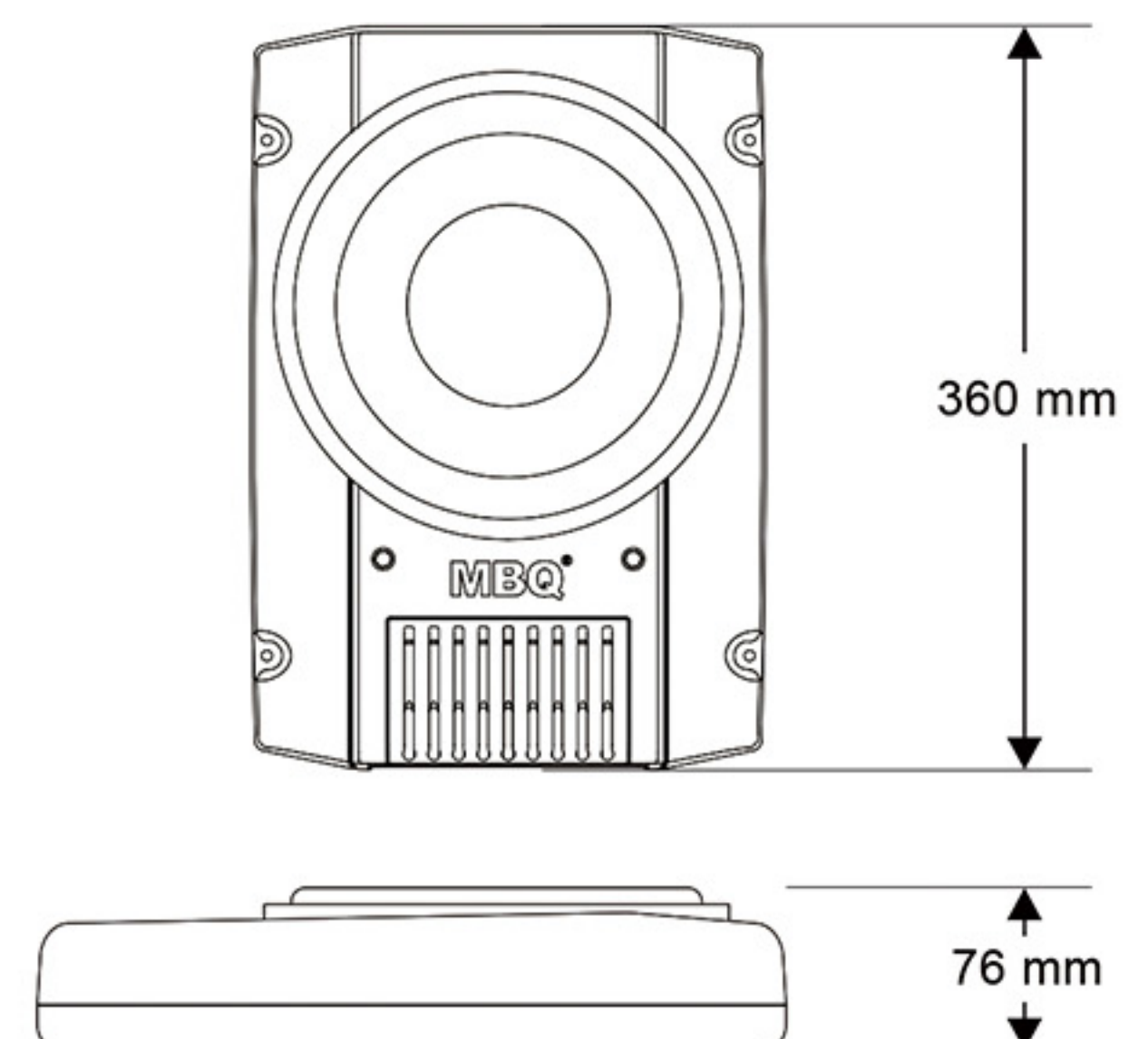
- Built-in heat sink system
- Aluminum speaker cone
- Built-in peak power 150Watts amplification
- Easy installed underseat
- Remote control provided for volume control, low-pass control and phase switch.
- Automatic turn-on



ACTIVE SUBWOOFER



- Materials : Plastic
- Max Output Power : 150W
- Rated Output Power : 100W
- Size : 8 inch
- Sensitivity : 91dB
- Voltage : 12 V
- Impedance : $2\Omega + 2\Omega$
- Frequency Response : 30-150 Hz
- Dimensions : 360 x 276 x 76 mm



MAX POWER
1500W

SW1500

12" PORTED-BOX
ACTIVE SUBWOOFER

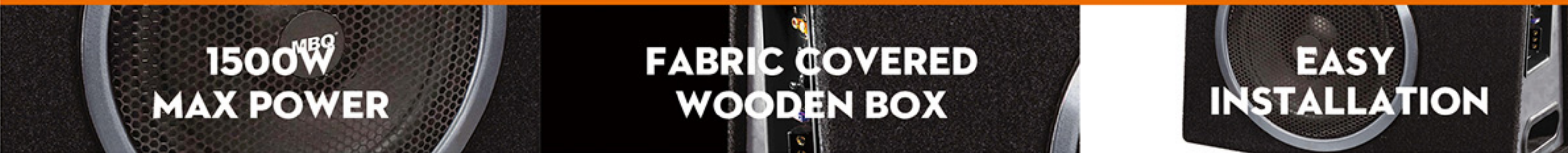
MAX POWER
1300W

SW1300

10" PORTED-BOX
ACTIVE SUBWOOFER



PORTED-BOX ACTIVE SUBWOOFER



Model	SW1300	SW1500
• Woofer :	10" (256mm)	12" (305mm)
• RMS Power :	130W	150W
• Peak Power :	1300W	1500W
• Impedance :	4Ω	4Ω
• Frequency response :	40-1.3kHz	40-1.3kHz
• Sensitivity (SPL/1W/1m) :	88.8 ± 2dB	89 ± 2dB
• Subwoofer Magnet :	120 x 60 x 25 mm	140 x 60 x 20 mm
• Power requirements :	12V DC car battery (negative ground)	12V DC car battery (negative ground)
• Power supply voltage :	14.4V (10.5V~16V)	14.4V (10.5V~16V)
• Unit dimensions :	18.9" x 6.7" / 10.6" x 13.8" (480 x 170 / 270 x 350 mm)	21.6" x 7.9" / 12.6" x 16.1" (550 x 200 / 320 x 410 mm)

**EZ-MOUNT
SHALLOW SUB**



**EZ-MOUNT
SHALLOW SUB (NEO)**



CAR SPECIFIC COMPONENT KIT

**PLUG
&
PLAY**

UNDERSEAT WOOFER FOR BMW

PLUG & PLAY SOUND SYSTEM UPGRADE
CAR SPECIFIC COMPONENT KIT

**2 INCH
LARGE VOICE COIL**

**SLIM AND EASY
TO INSTALL**

**CONEX
SPIDER ASSEMBLY**

Model	Ez-Mount Shallow Sub	Ez-Mount Shallow Sub (NEO)
• Magnet Steel :	Ferrite motor	Neodymium motor
• Max Power:	200W	200W
• Rated power handling:	150W	150W
• Size :	8 inch	8 inch
• Dimensions :	238 x 216 x 64.5 mm	238 x 216 x 61 mm
• Sensitivity :	89dB	89dB
• Voltage :	12V	12V
• Impedance :	4Ω	4Ω
• Frequency response :	39-250Hz	30-250Hz

M40

FOR BMW FRONT DOORS



U40

FOR BMW REAR DOORS



CAR SPECIFIC COMPONENT KIT

PLUG & PLAY

MID-RANGE SPEAKER FOR BMW

PLUG & PLAY SOUND SYSTEM UPGRADE
CAR SPECIFIC COMPONENT KIT

NEODYMIUM
MAGNET

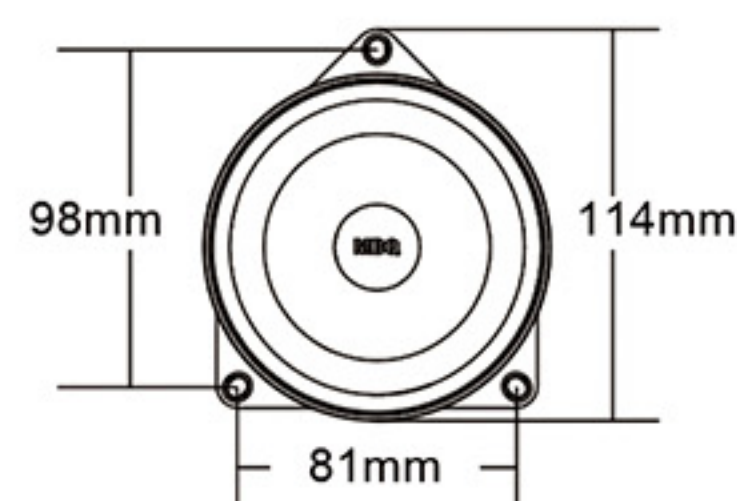
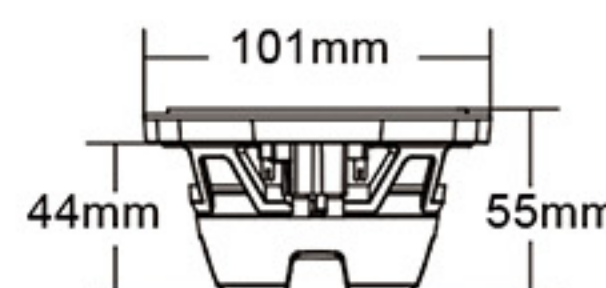
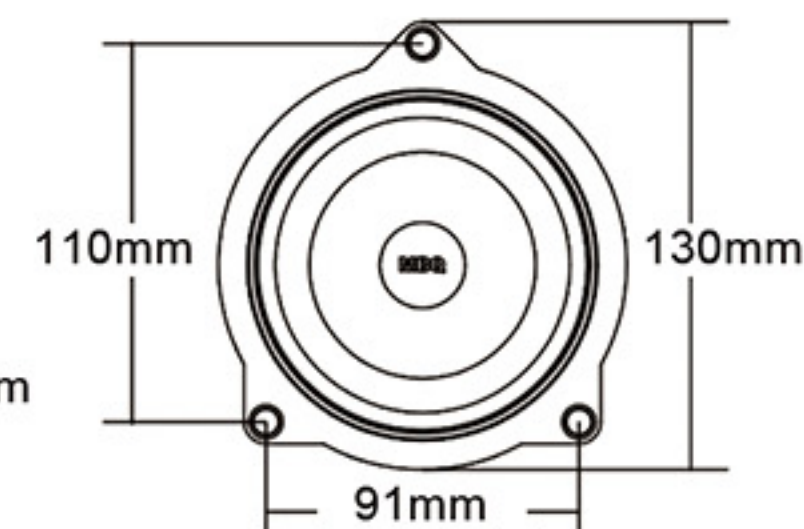
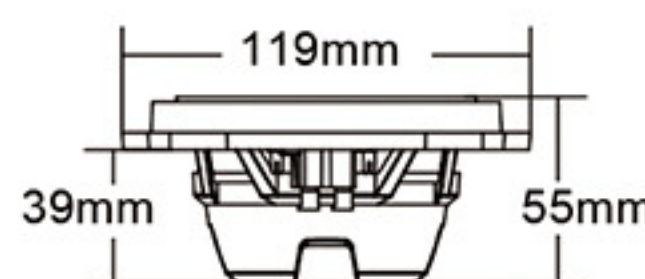
CAST ALUMINUM
BASKET

BIOLOGICAL
FIBER CONE

Model

M40/U40

- Materials : Cast Aluminum
- Max power handling : 100W
- Rated power handling : 60W
- Size : 4 inch
- Sensitivity : 87dB
- Voltage : 12V
- Impedance : 4Ω
- Frequency response : 100-20000Hz



M40X

FOR BMW FRONT DOORS



U40X

FOR BMW REAR DOORS



CAR SPECIFIC COMPONENT KIT

PLUG & PLAY

COAXIAL SPEAKER FOR BMW

PLUG & PLAY SOUND SYSTEM UPGRADE
CAR SPECIFIC COMPONENT KIT

NEODYMIUM
MAGNET

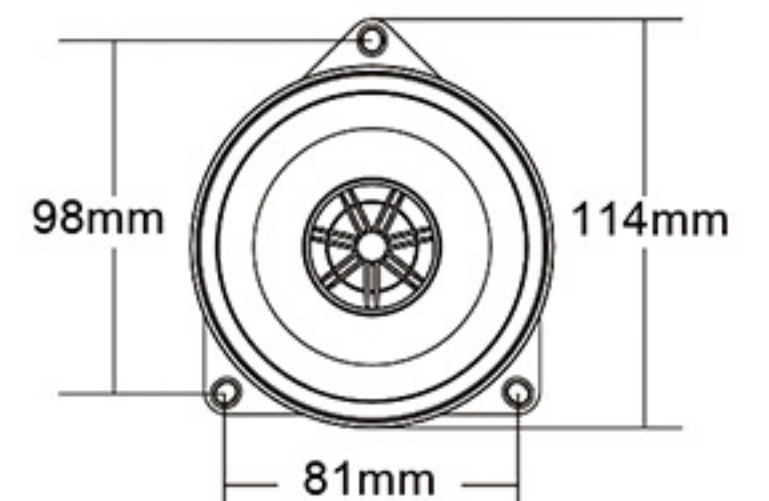
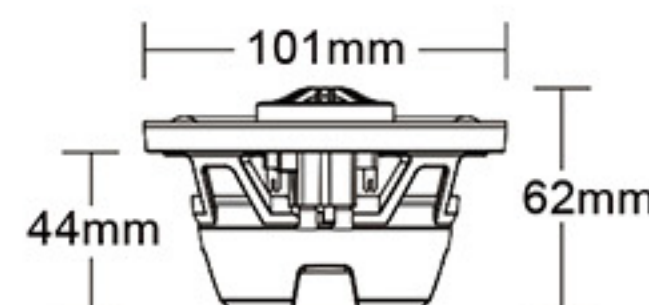
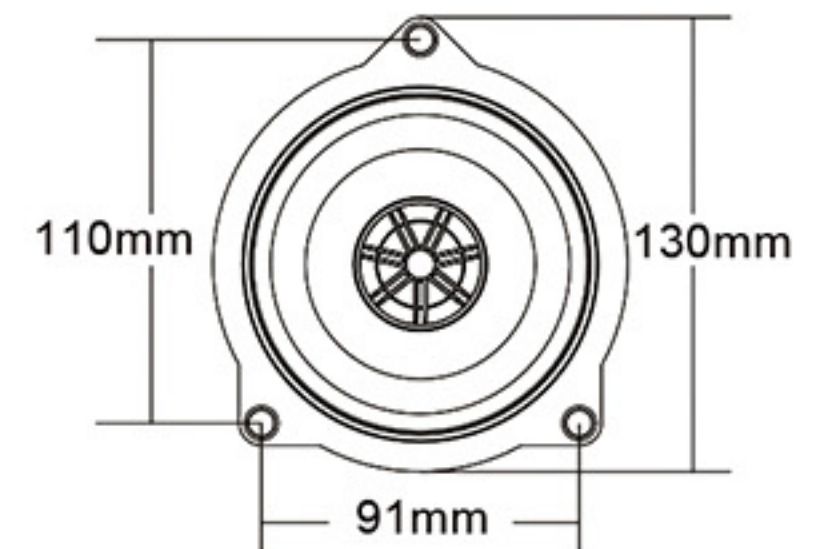
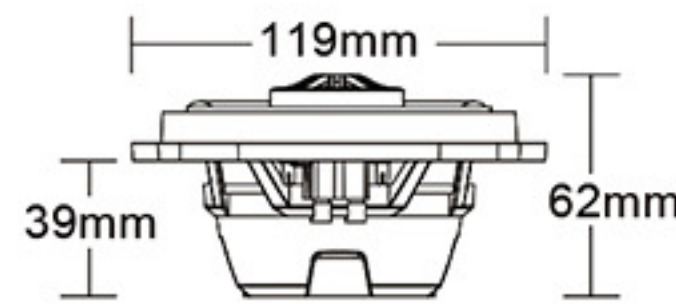
CAST ALUMINUM
BASKET

SILK DOME
TWEETER

Model

M40X/U40X

- Materials : Cast Aluminum
- Max power handling : 100W
- Rated power handling : 60W
- Size : 4 inch
- Sensitivity : 88dB
- Voltage : 12V
- Impedance : 4Ω
- Frequency response : 90-20000Hz



CAR SPECIFIC
SPACER



COMPATIBLE WITH BMW 5 SERIES G30 / G31

CAR SPECIFIC SPEAKER
SPACER FOR DOOR PANELS

APPLICATION DISPLAY



BMW - SPEAKER SPACER

CAR SPECIFIC
SPACER



COMPATIBLE WITH BMW X5 / X6 SERIES

CAR SPECIFIC SPEAKER
SPACER FOR DOOR PANELS

APPLICATION DISPLAY



MB-8LR

FOR MERCEDES-BENZ

LEFT FOOTWELL >



RIGHT FOOTWELL >



CAR SPECIFIC COMPONENT KIT

PLUG & PLAY

SUBWOOFER FOR MERCEDES BENZ

PLUG & PLAY SOUND SYSTEM UPGRADE
CAR SPECIFIC COMPONENT KIT

**PLUG & PLAY
CONNECTOR**

**QUICK AND EASY
INSTALLATION**

**NEODYMIUM
MAGNET MOTOR**

- | | | | |
|--------------------------|----------|------------------------|-----------------------|
| ● Power Handling (MAX) : | 120Watts | ● Frequency Response : | 55Hz-2000Hz |
| ● Power Handling (RMS) : | 50Watts | ● Mounting depth : | 58mm |
| ● Speaker Diameter : | 8" | ● Cone Material: | Composite fiber glass |
| ● Voice Coil : | 35.55mm | ● Magnet: | Neodymium |
| ● System Impedance : | 2Ω | ● Basket: | Aluminum |
| ● Sensitivity : | 86dB | ● Surround : | Foam rubber |

MB-4FR

FOR MERCEDES-BENZ



CAR SPECIFIC COMPONENT KIT

PLUG
&
PLAY

2-WAY SYSTEM FOR MERCEDES BENZ

PLUG & PLAY SOUND SYSTEM UPGRADE
CAR SPECIFIC COMPONENT KIT

FIBER GLASS
CONE

QUICK AND EASY
INSTALLATION

NEODYMIUM
MAGNET MOTOR

- | | | | |
|--------------------------|---------|------------------------|-----------------------|
| • Power Handling (MAX) : | 60Watts | • Frequency Response : | 90Hz-22KHz |
| • Power Handling (RMS) : | 25Watts | • Mounting depth : | 37mm |
| • Speaker Diameter : | 4" | • Cone Material : | Composite fiber glass |
| • Voice Coil : | 25.5mm | • Magnet : | Neodymium |
| • Tweeter size : | 25.4mm | • Basket : | Aluminum |
| • System Impedance : | 3.6Ω | • Surround : | Rubber |
| • Sensitivity : | 89dB | • Silk Dome Tweeter | |



MAX POWER
150W

M62

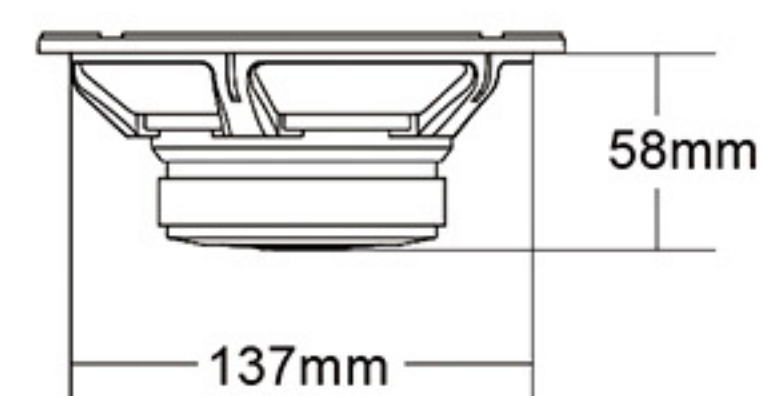
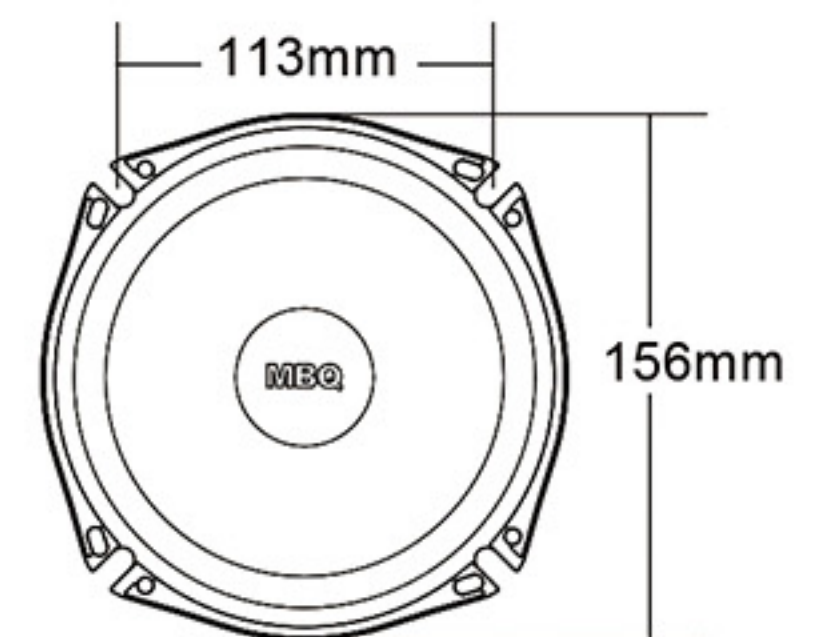
6.5" 2-WAY
COMPONENT SPEAKER

- Paper & Kevlar w / Nomex Cone
- Cast aluminum woofer basket for high stiffness and openness
- Specially designed cloth surround
- KSV (Polyimide) voice coil
- CONEX Spider
- Silk dome tweeter
- Neodymium tweeter magnet

COMPONENT SPEAKER



- Materials : Aluminum
- Max Power : 150W
- Rated power handling : 50W
- Size : 6.5 inch
- Sensitivity : 92dB
- Voltage : 12V
- Impedance : 4Ω
- Frequency response : 66-20000Hz





MAX POWER
120W

DS-P165AL

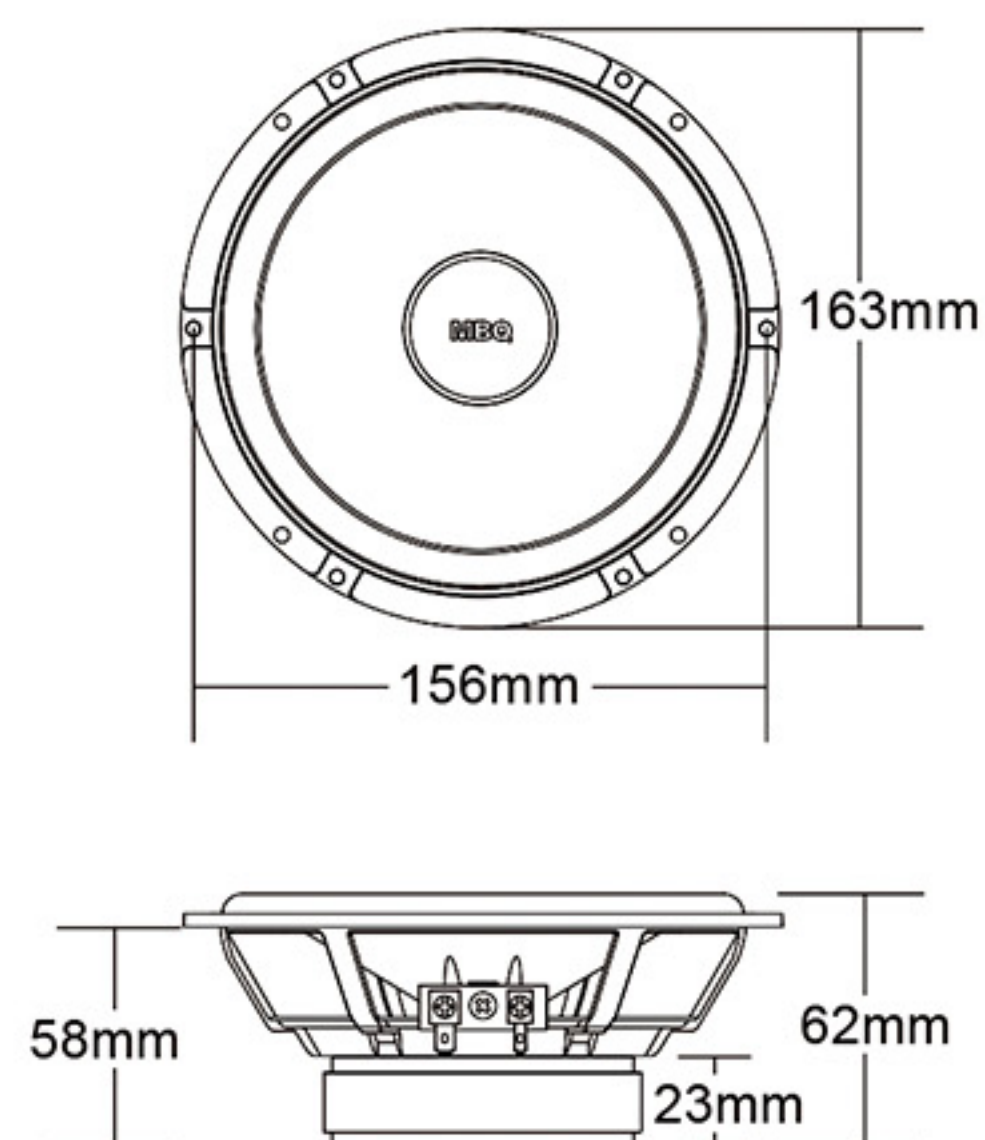
6.5" 2-WAY
COMPONENT SPEAKER

- Lightweight injected molded polypropylene composite cone
- Cotton damper delivers higher power handling and deeper bass
- Rubber surround
- 1" ultra-smooth silk dome tweeter
- Shallow mounting depth for easy installation

COMPONENT SPEAKER



- | | |
|--------------------------|---------------|
| • Materials : | Cast Aluminum |
| • Max Power : | 120W |
| • Rated power handling : | 60W |
| • Size : | 6.5 inch |
| • Sensitivity : | 88dB |
| • Voltage : | 12V |
| • Impedance : | 4Ω |
| • Frequency response : | 58-20000Hz |





MAX POWER
120W

DS-P165T

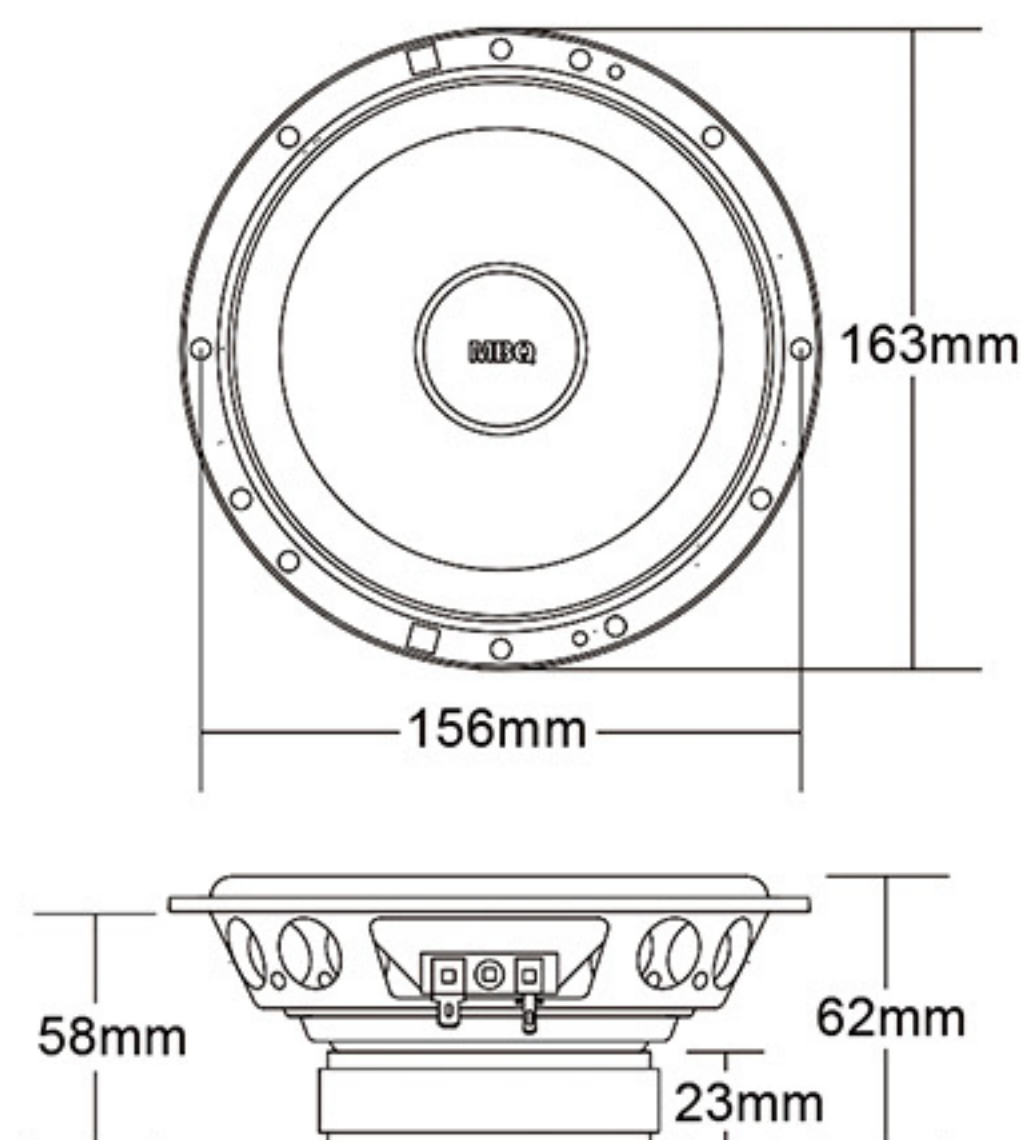
6.5" 2-WAY
COMPONENT SPEAKER

- Lightweight polypropylene cone
- Cotton spider
- Rubber surround
- 3/4 silk dome tweeter
- High-performance magnet
- Shallow mounting depth for easy installation

COMPONENT SPEAKER



- Materials : Iron
- Max Power : 120W
- Rated power handling : 80W
- Size : 6.5 inch
- Sensitivity : 90dB
- Voltage : 12V
- Impedance : 4Ω
- Frequency response : 58-21000Hz





MAX POWER
120W

PC62

6.5" 2-WAY
COMPONENT SPEAKER

- Bullet head dust cap
- Lightweight polypropylene cone
- Cotton spider
- Rubber surround
- 3/4 silk dome tweeter
- High-performance magnet
- Shallow mounting depth for easy installation

COMPONENT SPEAKER



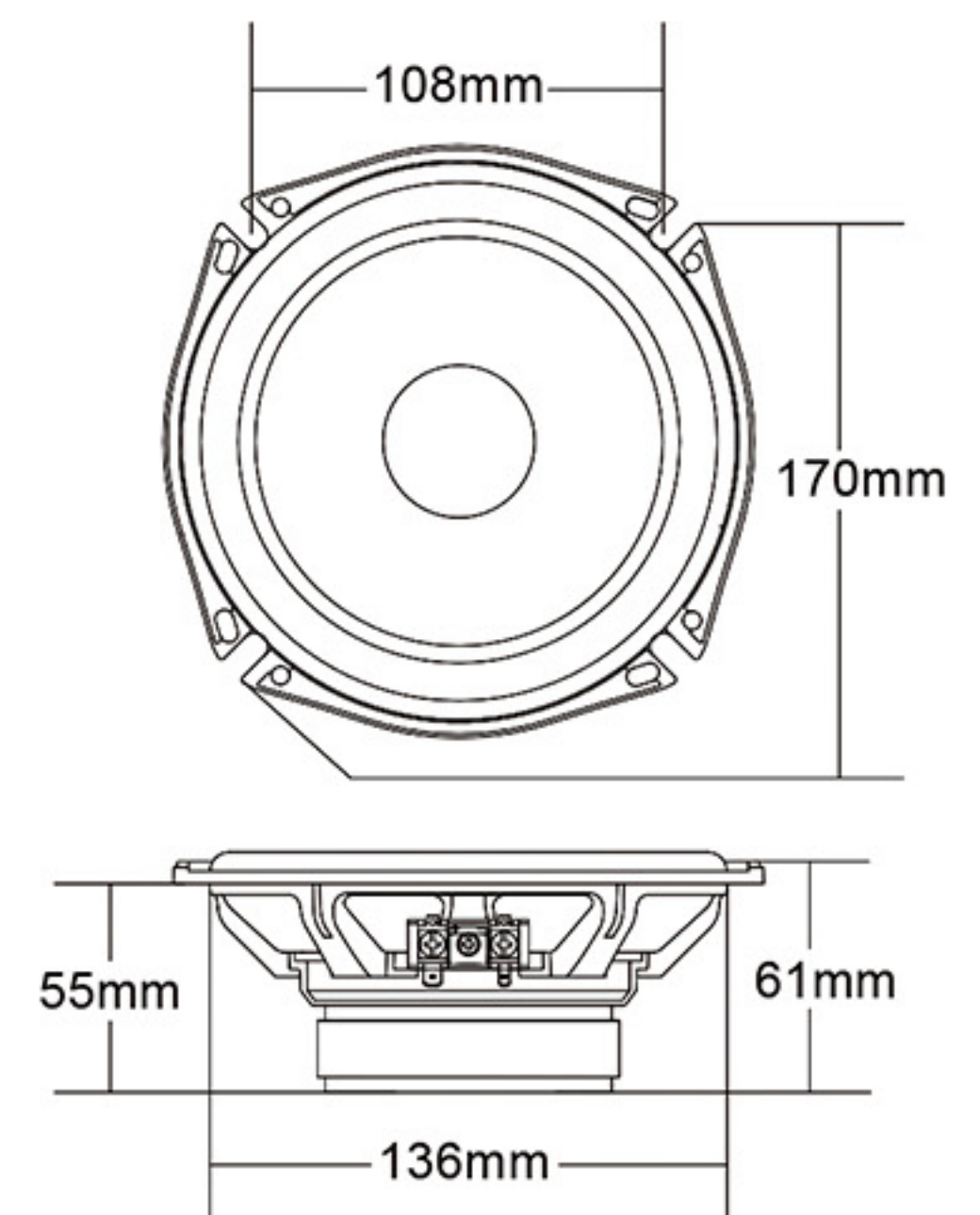
**BULLET HEAD
DUST CAP**

**HIGH-PERFORMANCE
MAGNET**



**120W
MAX POWER**

- Materials : Plastic
- Max Power : 120W
- Rated power handling : 60W
- Size : 6.5 inch
- Sensitivity : 90dB
- Voltage : 12V
- Impedance : 4Ω
- Frequency response : 60-21000Hz





MAX POWER
150W

MB652

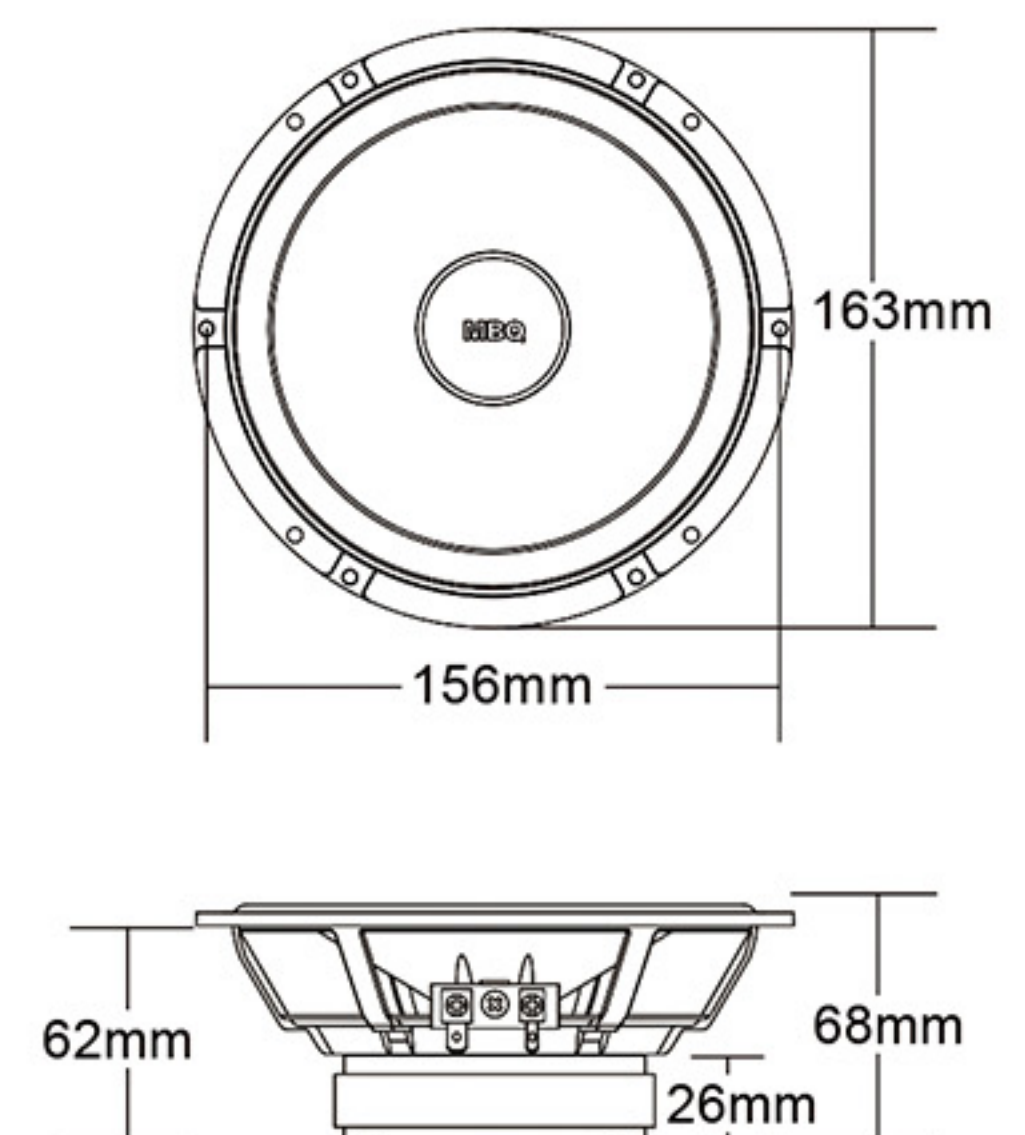
6.5" 2-WAY
COMPONENT SPEAKER

- Aluminum cone and aluminum dust cap
- Cast aluminum woofer basket
- NRB rubber surround
- CONEX spider
- High performance ferrite magnet motor
- Silk dome tweeter
- Neodymium tweeter magnet

COMPONENT SPEAKER



- Materials : Aluminum
- Max Power : 150W
- Rated power handling : 50W
- Size : 6.5 inch
- Sensitivity : 88dB
- Voltage : 12V
- Impedance : 4Ω
- Frequency response : 66-20000Hz





MAX POWER
120W

DS-165CX

6.5" COAXIAL
SPEAKER

- Lightweight Polypropylene Composite Cone
- Cotton spider
- Rubber Surround
- 1/2" Ultra-Smooth PEI Dome Tweeter
- High-Performance Woofer Magnet
- Shallow mounting depth for easy installation

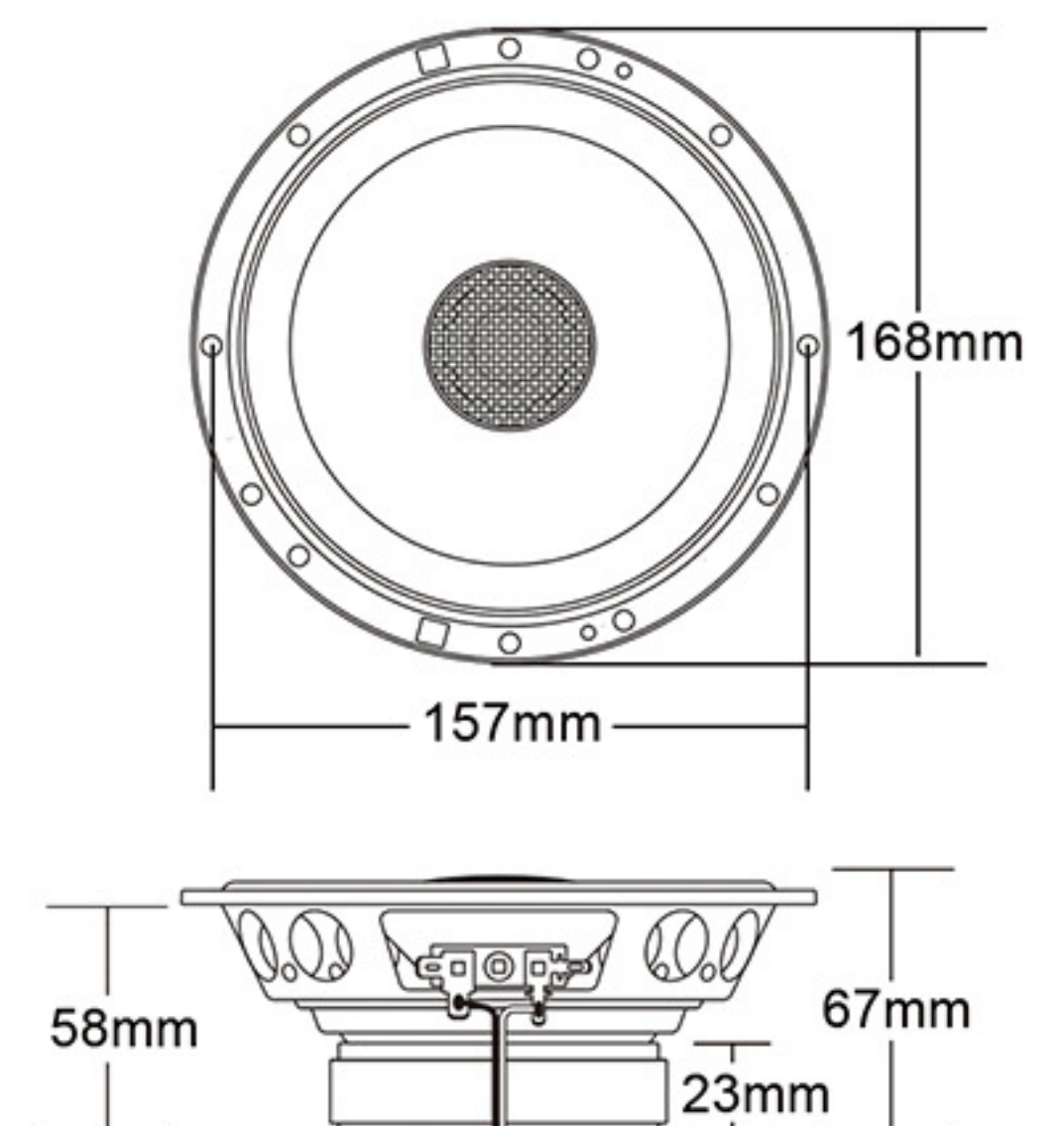
COAXIAL SPEAKER

PEI-DOME
TWEETER

MBQ[®]
HIGH PERFORMANCE
MAGNET

120W
MAX POWER

- Materials : Iron
- Max Power : 120W
- Rated power handling : 30W
- Size : 6.5 inch
- Sensitivity : 88dB
- Voltage : 12V
- Impedance : 4Ω
- Frequency response : 60-21000Hz





MAX POWER
120W

PX62

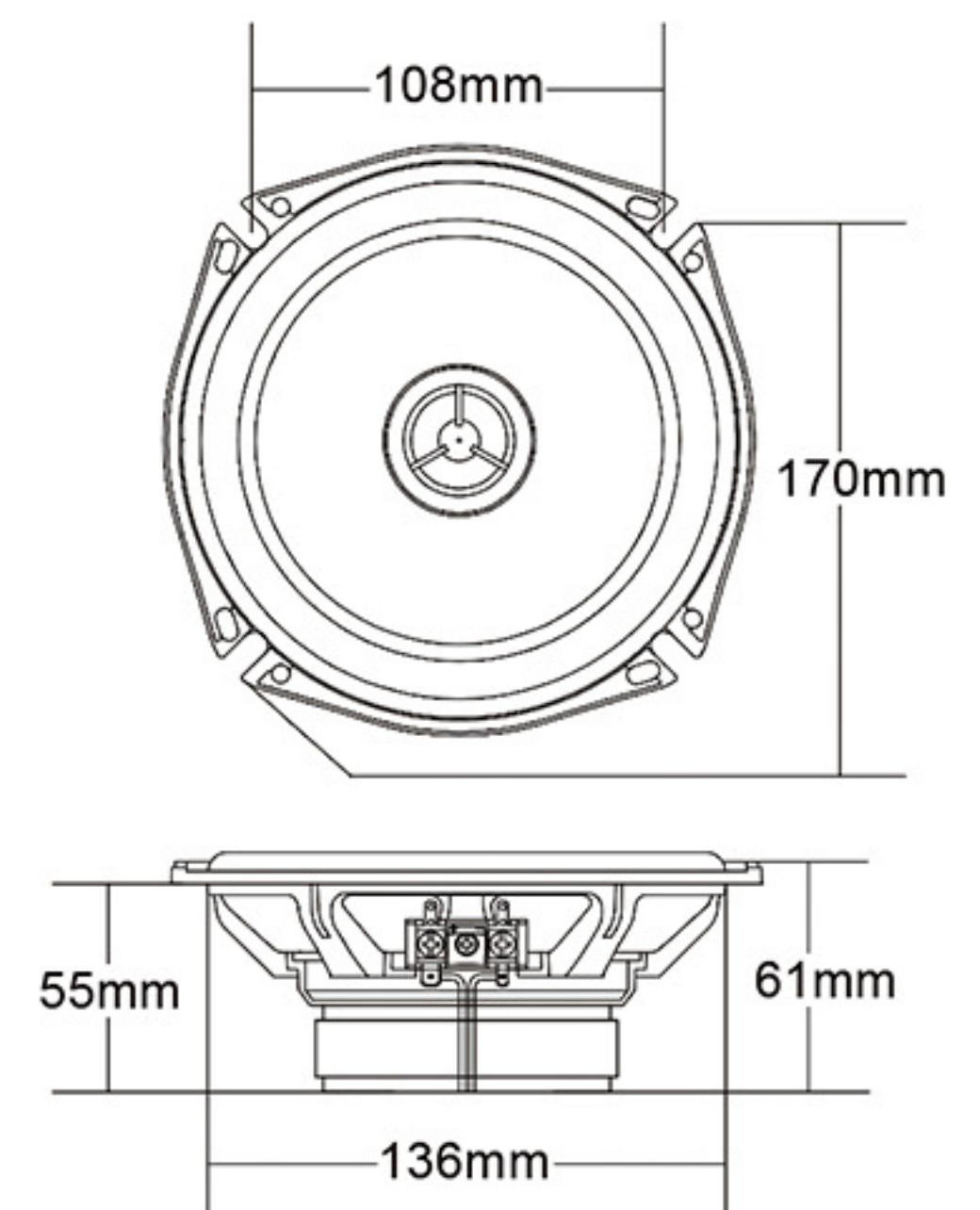
6.5" COAXIAL
SPEAKER

- Waterproof polypropylene cone
- Lightweight high-temp voice coil
- Rubber surround
- Polyetherimide dome tweeter
- Cotton spider
- Plastic basket

COAXIAL SPEAKER



- Materials : Plastic
- Max Power : 120W
- Rated power handling : 60W
- Size : 6.5 inch
- Sensitivity : 88dB
- Voltage : 12V
- Impedance : 4Ω
- Frequency response : 60-21000Hz





MAX POWER
30W

M-P30

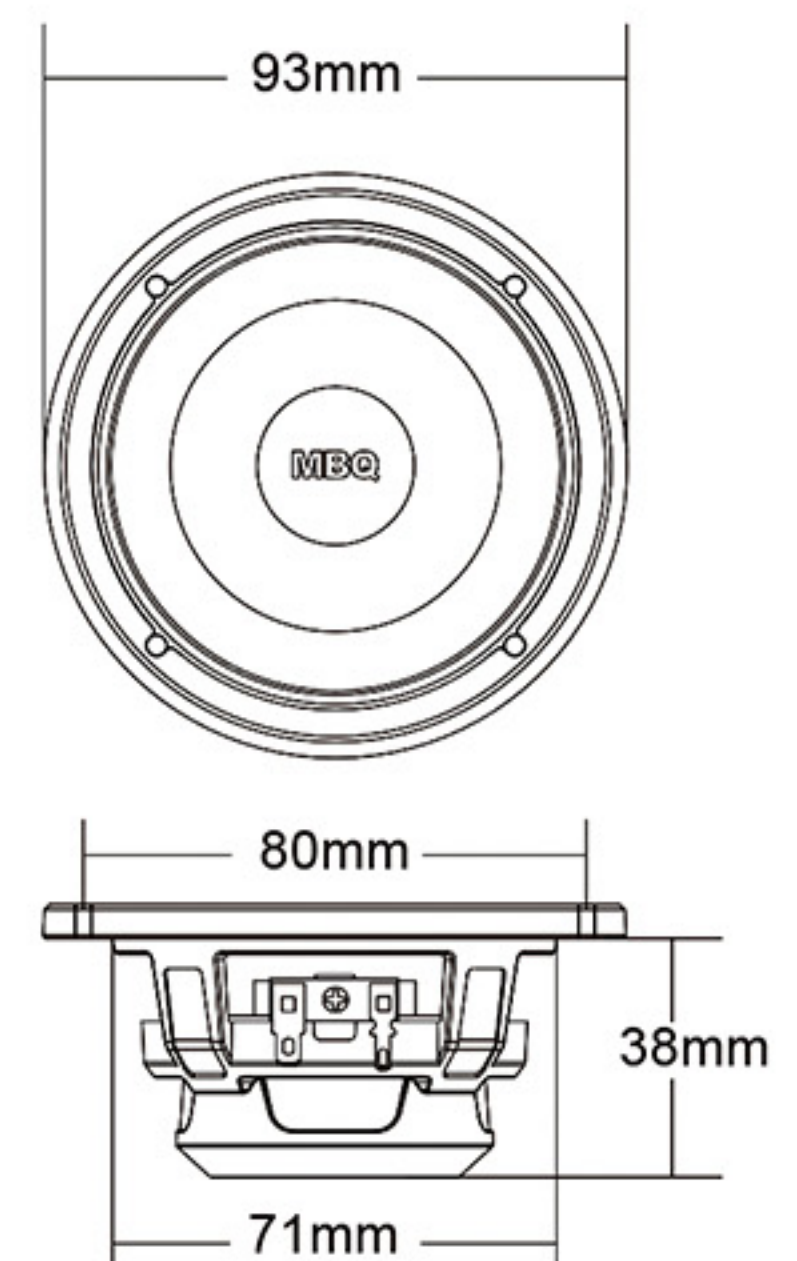
3" MID RANGE
SPEAKER

- Aluminum basket
- Polypropylene cone
- Shallow mounting depth for easy installation
- 1.65 inch mounting depth, easy to mount
- Dynamic range and better sound staging effect

MID RANGE SPEAKER



- Materials : Aluminum
- Max Power : 30W
- Rated power handling : 15W
- Size : 3.7 inch
- Sensitivity : 88dB
- Voltage : 12
- Impedance : 4Ω
- Frequency response : 96-10000Hz





**CLASS D
AMPLIFIER**

HD-480D

4-CHANNEL
POWER AMPLIFIER

- High quality SMD components, high accuracy resistors and capacitors
- Double side FR-4 PCB
- Full MOSFET power circuit design
- Super noise rejection circuit
- Adjustable High pass, Low pass
- Overload, shortcircuit, thermal, low voltage protection
- RoHS, E-mark certification

CLASS D AMPLIFIER



**MOSFET
POWER OUTPUT**



4 CHANNEL OUTPUTS



COMPACT SIZE

- | | | | |
|------------------------------------|------------|----------------------|-------------------|
| • Power Output @ 4Ω : | 80W X 4CH | • Gain Range : | 0.2V - 5V |
| • Power Output @ 2Ω : | 120W X 4CH | • Crossover Range : | High 120Hz - 3kHz |
| • Power Output @ 1Ω : | — | | Low 50Hz - 250Hz |
| • Power Output @ 4Ω Bridged : | 260W X 2CH | • Frequency Range : | 20Hz - 22kHz |
| • Total Harmonic Distortion : | 0.06% | • Bass Boost : | + 12dB |
| • S/N Ratio (A WTG) Ref 1W at 4Ω : | 96dB | • Demension(DxWxH) : | 280 x 160 x 51 mm |



**CLASS D
AMPLIFIER**

HD-1600D

1-CHANNEL
POWER AMPLIFIER

- High quality SMD components, high accuracy resistors and capacitors
- Double side FR-4 PCB
- Full MOSFET power circuit design
- Super noise rejection circuit
- Adjustable High pass, Low pass
- Overload, shortcircuit, thermal, low voltage protection
- RoHS, E-mark certification

CLASS D AMPLIFIER



**MOSFET
POWER OUTPUT**

1 CHANNEL OUTPUTS



COMPACT SIZE

- | | | | |
|------------------------------------|------------|----------------------|-------------------|
| • Power Output @ 4Ω : | 370W X 1CH | • Gain Range : | 0.2V - 4V |
| • Power Output @ 2Ω : | 600W X 1CH | • Crossover Range : | High 15Hz - 55Hz |
| • Power Output @ 1Ω : | — | | Low 30Hz - 250Hz |
| • Power Output @ 4Ω Bridged : | — | • Frequency Range : | 20Hz - 22kHz |
| • Total Harmonic Distortion : | 0.06% | • Bass Boost : | + 12dB |
| • S/N Ratio (A WTG) Ref 1W at 4Ω : | 96dB | • Demension(DxWxH) : | 280 x 160 x 51 mm |

PT-9A+

9V BATTERY
PROFESSIONAL PHASE TESTER >



Pt2

12V BATTERY
PHASE TESTER >

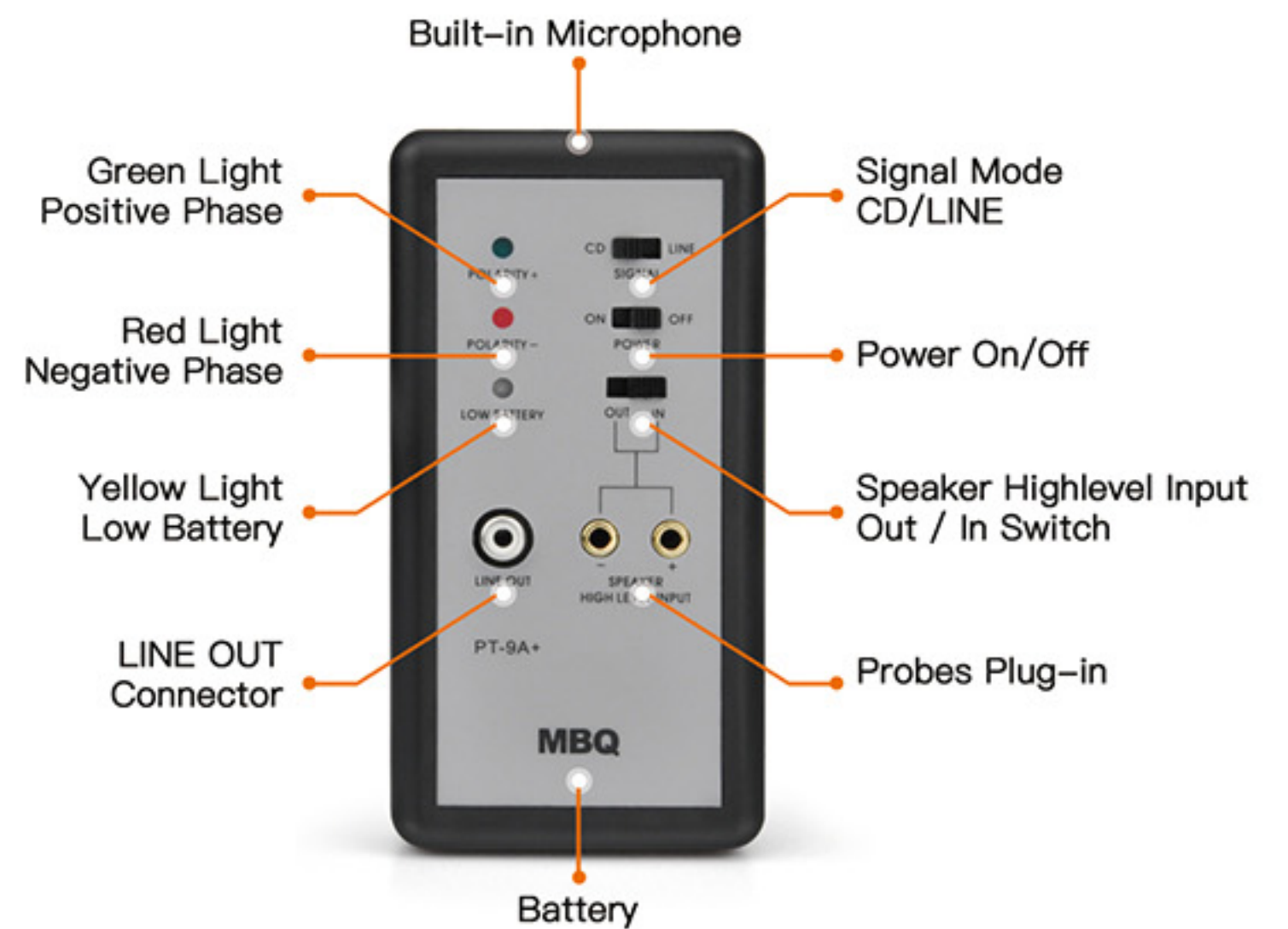


ACCESSORIES - PHASE TESTER

PROFESSIONAL
DEVICE

AUDIO PHASE TESTER

MBQ CAR AUDIO SYSTEM DEVICE
SPEAKER AND AMPLIFIER PHASE TESTER



CAR SPECIFIC
SPACER



SAR-001

ALUMINUM ALLOY
PROTECTIVE COATING / EVA GASKET

COMPATIBLE WITH :
TOYOTA / LEXUS / BYD

CAR SPECIFIC
SPACER



SAR-002

ALUMINUM ALLOY
PROTECTIVE COATING / EVA GASKET

COMPATIBLE WITH :
SUZUKI / NISSAN / MAZDA

CAR SPECIFIC
SPACER



SAR-003

ALUMINUM ALLOY
PROTECTIVE COATING / EVA GASKET

COMPATIBLE WITH :
VW PASSAT / SKODA

CAR SPECIFIC
SPACER



SAR-004

ALUMINUM ALLOY
PROTECTIVE COATING / EVA GASKET

COMPATIBLE WITH :
HYUNDAI / KIA

ACCESSORIES - SPEAKER SPACER

ACCESSORIES - SPEAKER SPACER

CAR SPECIFIC
SPACER



SAR-005

ALUMINUM ALLOY
PROTECTIVE COATING / EVA GASKET

COMPATIBLE WITH :
MOST 2005 LATER GM VEHICLES

CAR SPECIFIC
SPACER



SAR-006

ALUMINUM ALLOY
PROTECTIVE COATING / EVA GASKET

COMPATIBLE WITH :
NISSAN / TOYOTA / UNIVERSAL

CAR SPECIFIC
SPACER



SAR-007

ALUMINUM ALLOY
PROTECTIVE COATING / EVA GASKET

COMPATIBLE WITH :
VW / BUICK EXCELLE / GREAT WALL HVAL H6

CAR SPECIFIC
SPACER



SAR-008

ALUMINUM ALLOY
PROTECTIVE COATING / EVA GASKET

COMPATIBLE WITH :
HONDA / ACURA

ACCESSORIES - SPEAKER SPACER

CAR SPECIFIC
SPACER



SAR-009

ALUMINUM ALLOY
PROTECTIVE COATING / EVA GASKET

COMPATIBLE WITH :
MITSUBISHI / NISSAN OTTI

CAR SPECIFIC
SPACER



SAR-010

ALUMINUM ALLOY
PROTECTIVE COATING / EVA GASKET

COMPATIBLE WITH :
TOYOTA HI-ACE

CAR SPECIFIC
SPACER



SAR-011

ALUMINUM ALLOY
PROTECTIVE COATING / EVA GASKET

COMPATIBLE WITH :
MAZDA

UNIVERSAL
ADAPTER



EXT-10mm

ALUMINUM ALLOY
PROTECTIVE COATING / EVA GASKET

UNIVERSAL DEPTH EXTENSION RING
THICKNESS : 10 mm

MBQ[®]

Sound System Upgrade

MAKE THE BEST OF EVERY SOUND

Shantou Tai Hua Electrical Co., Ltd.
Address: NO.7, Shaoshan Road, Zhujin Industrial Zone, Longhu District,
Shantou, Guangdong, China (Mainland)
Website: www.mbqaudio.com <https://mbq.en.alibaba.com/>