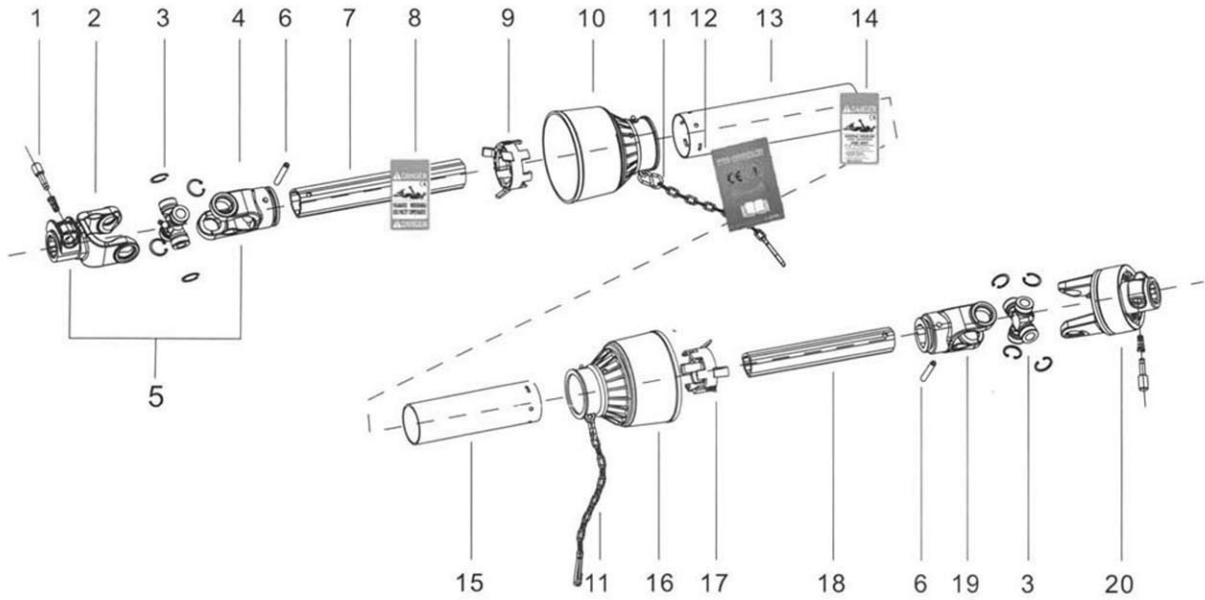




# Catalogue 2018


## PTO Shafts

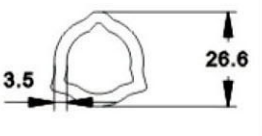
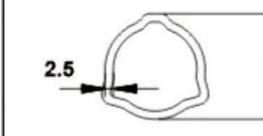
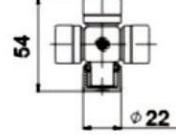
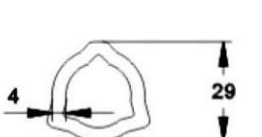
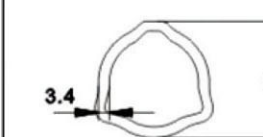
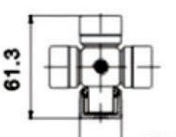


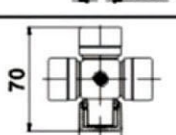
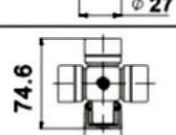

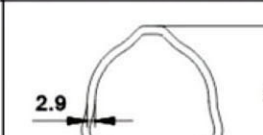
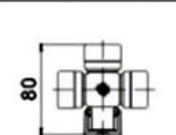
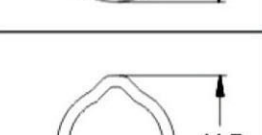

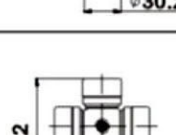
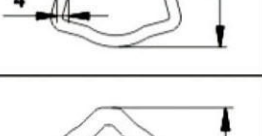
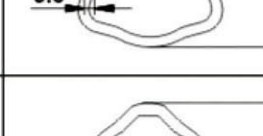
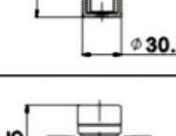

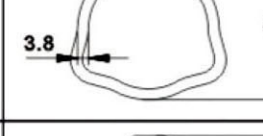
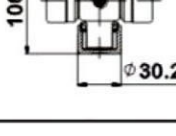
**Since 2010**




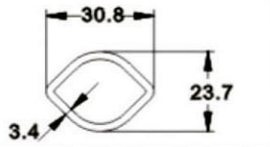
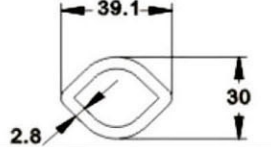
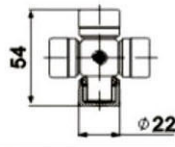
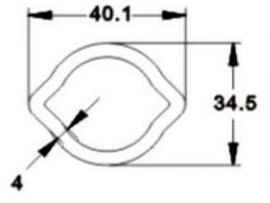
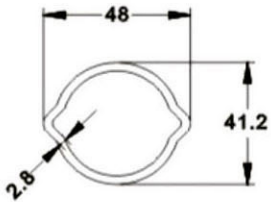
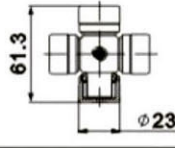
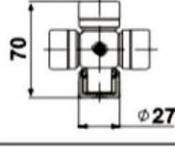
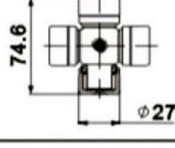
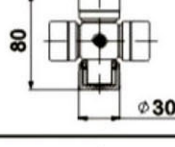
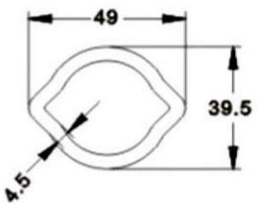
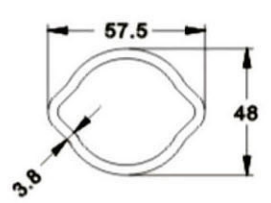
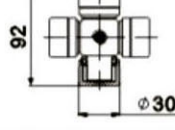
Code	Description	Page NO.
1	Pin kit	11
2	End yoke for tractor side	12-31
3	Cross journal with four circlips	02
4	Outer tube yoke	08-09
5	U-joint	—
6	Tension pin	10
7	Outer tube	02-07
8	Safety label for telescoping tube	—
9	Outer shield bearing	—
10	Outer shield cone	—


Code	Description	Page NO.
11	Safety chain	—
12	Booklet	—
13	Outer shield tube	—
14	Safety label for outer shield tube	—
15	Inner shield tube	—
16	Inner shield cone	—
17	Inner shield bearing	—
18	Inner tube	02-07
19	Inner tube yoke	08-09
20	Safety devices for implement side	33-41

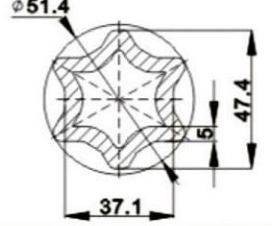
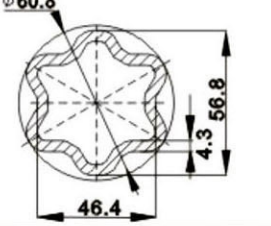


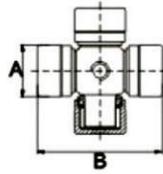
	INNER		OUTER	REFERING CROSS JOURNAL
1.04		1.03		 1
2.04		2.03		 2
4.04		4.03		 3
				 4
5.04		5.03		 5
6.04		6.03		 6
7.04		7.03		 7
8.04		8.03		 8



	INNER		OUTER	REFERING CROSS JOURNAL
1.04L		1.03L		 1
4.04L		4.03L		 2
				 3
				 4
				 5
6.04L		6.03L		 6

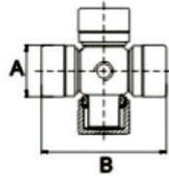


	INNER		OUTER
ST.04		ST.03	



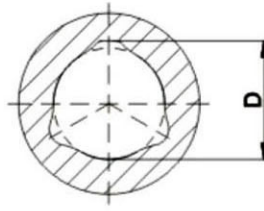
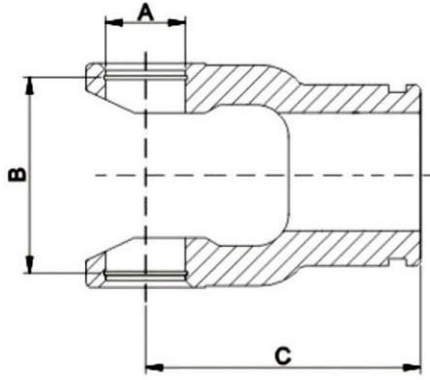
## TYPE T

SIZE		A(mm)	B(mm)		540rpm	1000rpm	
1	T1	22	54	Cv	16	24	
				Kw	12	18	
				Nm	210	170	
2	T2	23.8	61.3	Cv	27	40	
				Kw	20	30	
				Nm	280	230	
3	T3	27	70	Cv	33	50	
				Kw	24	37	
				Nm	400	320	
4	T4		74.6	74.6	Cv	35	53
					Kw	26	39
					Nm	460	360
5	T5	30.2	80	Cv	47	75	
				Kw	35	55	
				Nm	620	500	
6	T6		92	92	Cv	55	83
					Kw	40	61
					Nm	850	690
7	T7		106.5	106.5	Cv	75	106
					Kw	55	78
					Nm	1000	810
7N	T7N	35	94	Cv	70	118	
				Kw	51	87	
				Nm	970	830	
8	T8		106.5	106.5	Cv	90	136
					Kw	66	100
					Nm	1250	1020

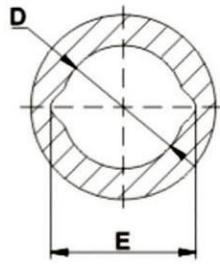
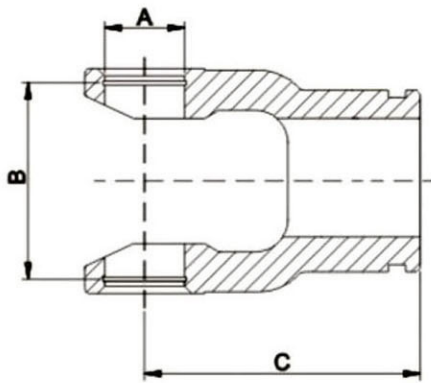


## TYPE L

SIZE		A(mm)	B(mm)		540rpm	1000rpm	
1	L1	22	54	Cv	16	24	
				Kw	12	18	
				Nm	210	175	
2	L2	23.8	61.3	Cv	27	42	
				Kw	20	31	
				Nm	355	295	
3	L3	27	70	Cv	33	50	
				Kw	24	37	
				Nm	400	320	
4	L4		74.6	74.6	Cv	38	60
					Kw	28	44
					Nm	500	415
5	L5	30.2	80	Cv	47	70	
				Kw	35	51	
				Nm	620	500	
32	L32	32	76	Cv	53	83	
				Kw	39	61	
				Nm	695	580	
6	L6	30.2	92	Cv	55	83	
				Kw	40	61	
				Nm	850	690	

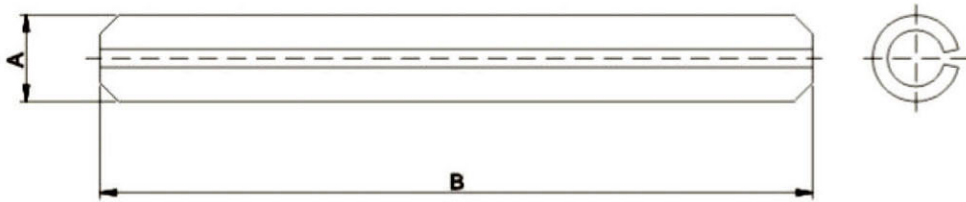


REF	A mm	B mm	C mm	D mm
1.06	22	54	80	32.4
1.07				26.6
2.06	23.8	61.3	84	36.1
2.07				29
3.06	27	70	92	43.4
3.07				36.1
4.06	27	74.6		43.4
4.07				36.1
5.06	30.2	80	98	51.3
5.07				44.7
32.06	32	76		51.3
32.07				44.7
6.06	30.2	92	106	53.6
6.07				44.7
7.06	30.2	106.5	117	53.6
7.07				44.7
7N.06	35	94	106	53.6
7N.07				44.7
8.06	35	106.5	127	62.7
8.07				53.6
38.06	38	57	109	62.7
38.07				53.6

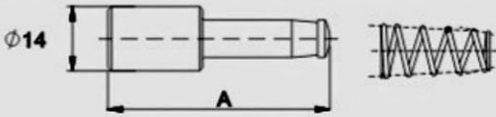
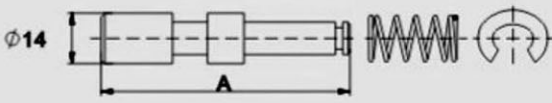
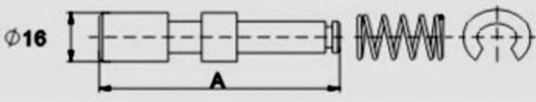
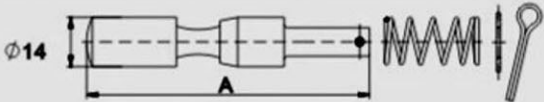
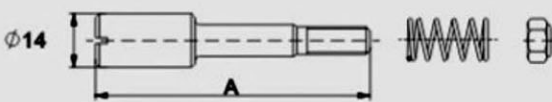
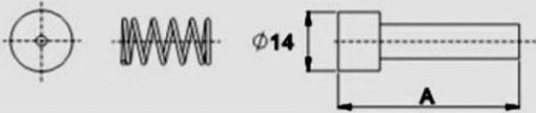
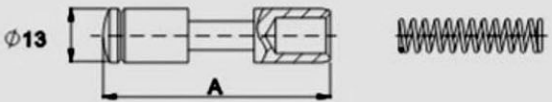
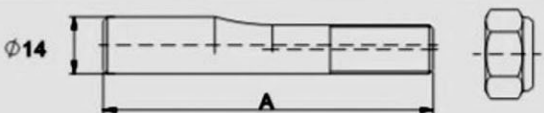
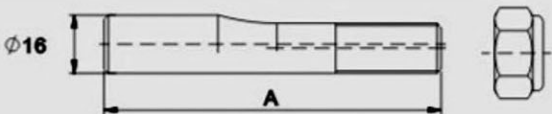
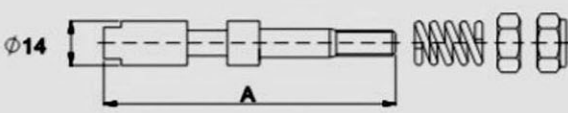
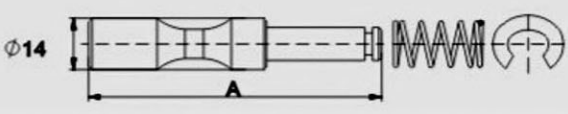


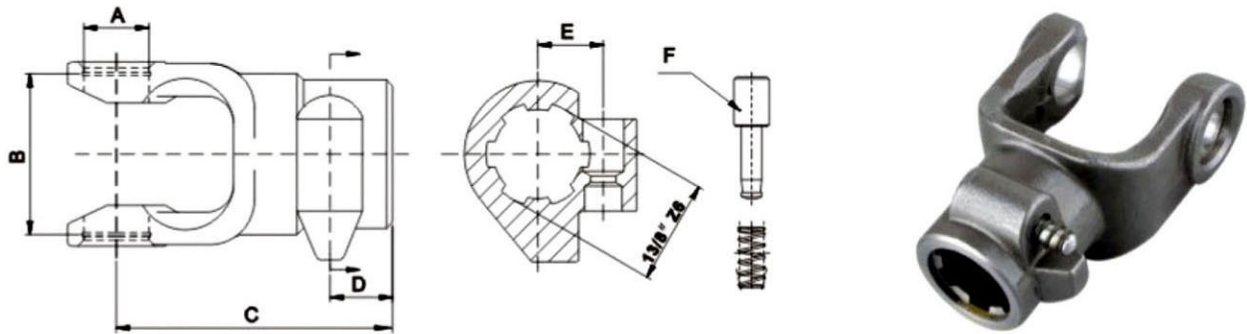
REF	A mm	B mm	C mm	D mm	E mm
1.06L	22	54	80	30	39.1
1.07L				23.7	30.8
2.06L	23.8	61.3	84	41.2	48
2.07L				34.5	40.1
3.06L	27	70	92	41.2	48
3.07L				34.5	40.1
4.06L	27	74.6		41.2	48
4.07L				34.5	40.1
5.06L	30.2	80	98	48	57.5
5.07L				39.5	49
32.06L	32	76		48	57.5
32.07L				39.5	49
6.06L	30.2	92	106	48	57.5
6.07L				39.5	49
7N.06L	35	94		48	57.5
7N.07L				39.5	49



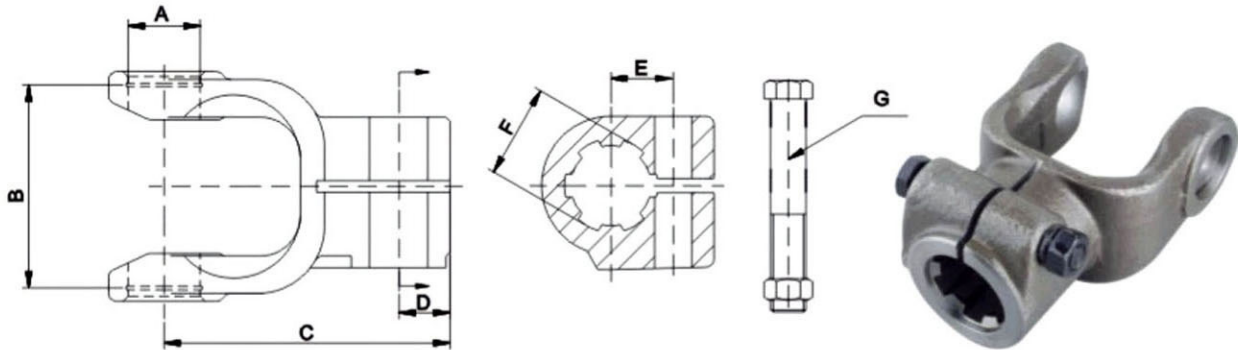


<b>FOR TUBE</b>	<b>A mm</b>	<b>B mm</b>	<b>FOR TUBE</b>	<b>A mm</b>	<b>B mm</b>
1.04	40	φ 8	1.03	50	φ 8
2.04	50		2.03	55	
3.04	60		3.03	60	
4.04	55		4.03	60	
5.04	70	φ 10	5.03	80	φ 10
6.04	70		6.03	80	
7.04	80		7.03	80	
8.04	75		8.03	85	

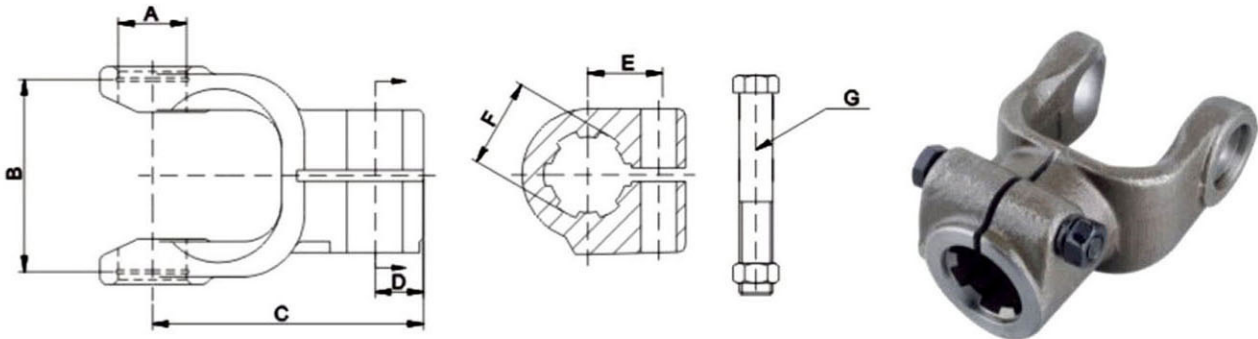
	<b>A mm</b>	<b>REF.</b>
	47	00.02.01
	44.5	00.02.01*44.5
	59	00.02.01*59
	56	00.02.01*56
	76.5	00.02.02
	68	00.02.02*68
	73	00.02.02*73
	83	00.02.02*83
	85	00.02.02*85
	88	00.02.02*88
	85	00.02.03
	69	00.02.04
	43	00.02.05
	54	00.02.06
	85	00.02.07
	85	00.02.08
	77	00.02.08*77
	91	00.02.09
	77	00.02.10
	75	00.02.10*75



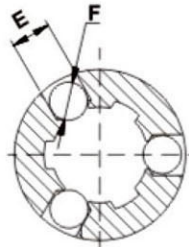
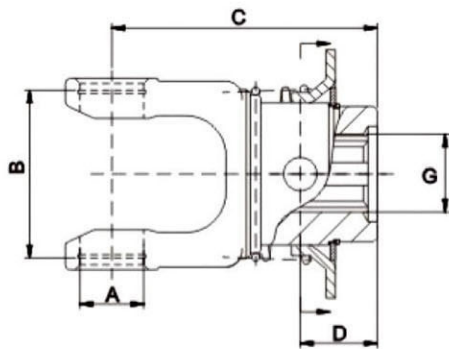
<b>REF</b>	<b>A mm</b>	<b>B mm</b>	<b>C mm</b>	<b>D mm</b>	<b>E mm</b>	<b>F mm</b>
1.05.01B	22	54	93	21	22	00.02.01
2.05.01B	23.8	61.3	99	19		
3.05.01B	27	70	104	21		
4.05.01B	27	74.6	108			
5.05.01B	30.2	80	116	22		
32.05.01B	32	76				
6.05.01B	30.2	92	118	21		



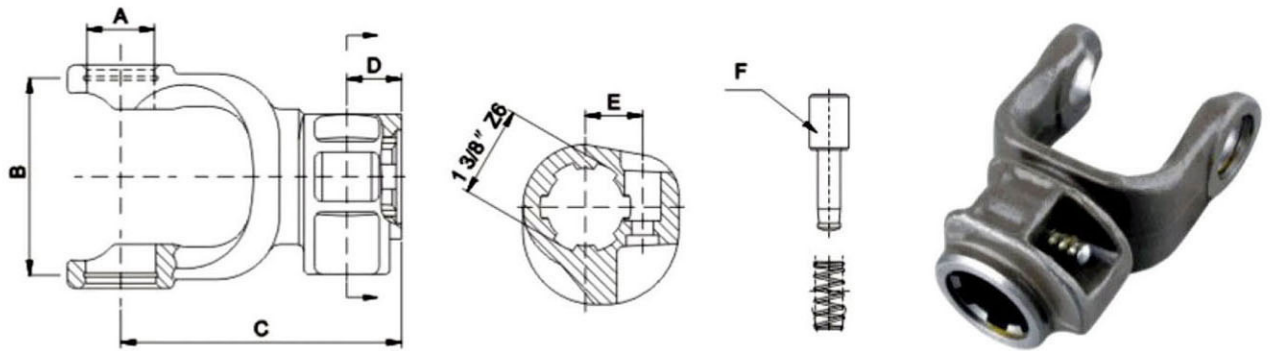
REF	A mm	B mm	C mm	D mm	E mm	F mm	G mm
1.05.02B	22	54	90	20	21	13/8" Z6	M12
1.05.02D						13/8" Z21	
2.05.02B	23.8	61.3	99	13/8" Z6			
2.05.02D				13/8" Z21			
3.05.02B	27	70	102	13/8" Z6			
3.05.02D				13/8" Z21			
4.05.02B	27	74.6	107	13/8" Z6			
4.05.02D				13/8" Z21			
5.05.02B	30.2	80	109	13/8" Z6			
5.05.02D				13/8" Z21			
32.05.02B	32	76	116	13/8" Z6			
32.05.02D				13/8" Z21			
6.05.02B	30.2	92	116	13/8" Z6			
6.05.02D				13/8" Z21			
7.05.02B	30.2	106.5	121	13/8" Z6			
7.05.02D				13/8" Z21			
7N.05.02B	35	94	116	13/8" Z6			
7N.05.02D				13/8" Z21			
8.05.02B	35	106.5	124	13/8" Z6			
8.05.02D				13/8" Z21			
8.05.02C	35	106.5	124	26	13/4" Z6	M14	
8.05.02E					13/4" Z20		



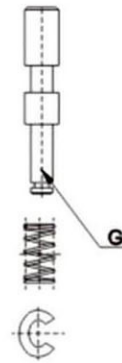
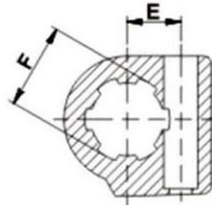
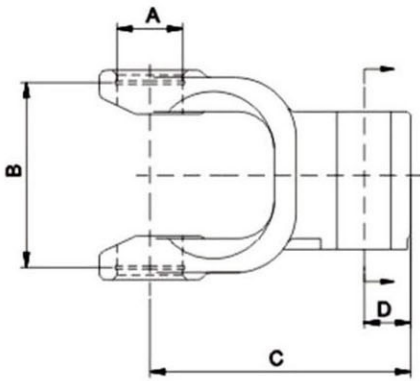
REF	A mm	B mm	C mm	D mm	E mm	F mm	G mm	
1.05.03B	22	54	90	20	23.5	13/8" Z6	M10	
1.05.03D						13/8" Z21		
2.05.03B	23.8	61.3	99	19		13/8" Z6		M12
2.05.03D						13/8" Z21		
3.05.03B	27	70	102			13/8" Z6		
3.05.03D						13/8" Z21		
4.05.03B	27	74.6	107			13/8" Z6		
4.05.03D						13/8" Z21		
5.05.03B	30.2	80	109		13/8" Z6			
5.05.03D					13/8" Z21			
32.05.03B	32	76	109	13/8" Z6				
32.05.03D				13/8" Z21				
6.05.03B	30.2	92	116	13/8" Z6				
6.05.03D				13/8" Z21				
7.05.03B	30.2	106.5	121	13/8" Z6				
7.05.03D				13/8" Z21				
7N.05.03B	35	94	116	13/8" Z6				
7N.05.03D				13/8" Z21				
8.05.03B	35	106.5	124	13/8" Z6				
8.05.03D				13/8" Z21				
8.05.03C	35	106.5	124	27	13/4" Z6			
8.05.03E					13/4" Z20			



REF	A mm	B mm	C mm	D mm	E mm	F mm	G mm
1.05.04B	22	54	94	26.5	φ 13	S φ 12.7	1 3/8" Z6
1.05.04D							1 3/8" Z21
2.05.04B	23.8	61.3	102				1 3/8" Z6
2.05.04D							1 3/8" Z21
3.05.04B	27	70	106				1 3/8" Z6
3.05.04D							1 3/8" Z21
4.05.04B	27	74.6	108				1 3/8" Z6
4.05.04D							1 3/8" Z21
5.05.04B	30.2	80	113				1 3/8" Z6
5.05.04D							1 3/8" Z21
32.05.04B	32	76	113				1 3/8" Z6
32.05.04D							1 3/8" Z21
6.05.04B	30.2	92	120				1 3/8" Z6
6.05.04D							1 3/8" Z21
7.05.04B	30.2	106.5	125				1 3/8" Z6
7.05.04D							1 3/8" Z21
8.05.04B	35	106.5	128				1 3/8" Z6
8.05.04D							1 3/8" Z21

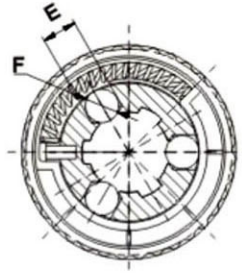
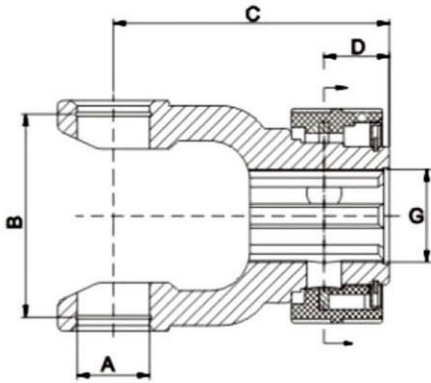


REF	A mm	B mm	C mm	D mm	E mm	F mm
1.05.05B	22	54	93			
2.05.05B	23.8	61.3	99			
3.05.05B	27	70	104			
4.05.05B		74.6	108			
5.05.05B	30.2	80	111	21	22	00.02.01*44.5
32.05.05B	32	76				
6.05.05B	30.2	92	118			
7.05.05B		106.5	124			
7N.05.05B	35	94	116			
8.05.05B		106.5	124			

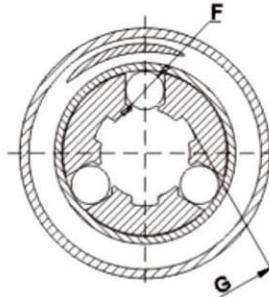
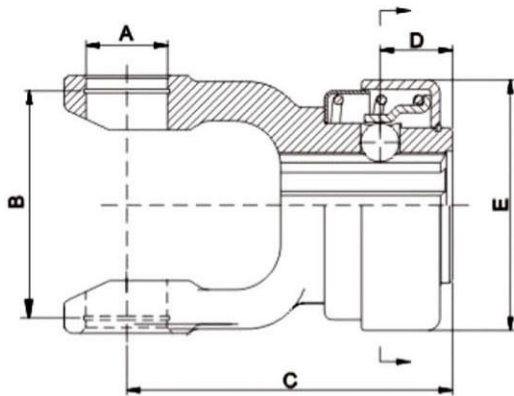


REF	A mm	B mm	C mm	D mm	E mm	F mm	G mm			
1.05.07B	22	54	90	20	22	13/8" Z6	00.02.02*68			
2.05.07B	23.8	61.3	99	19				13/8" Z21		
3.05.07B	27	70	102						109	13/8" Z6
3.05.07D										
4.05.07B	27	74.6	107			116	13/8" Z6			
4.05.07D				13/8" Z21						
5.05.07B	30.2	80	109				121	13/8" Z6		
5.05.07D				13/8" Z21						
32.05.07B	32	76	109			116		13/8" Z6		
32.05.07D				13/8" Z21						
6.05.07B	30.2	92	116				124	13/8" Z6		
6.05.07D				13/8" Z21						
7.05.07B	30.2	106.5	121			124		13/8" Z6		
7.05.07D				13/8" Z21						
7N.05.07B	35	94	116				124	13/8" Z6		
7N.05.07D				13/8" Z21						
8.05.07B	35	106.5	124			124		13/8" Z6		
8.05.07D				13/8" Z21						
8.05.07C	35	106.5	124				13/4" Z6			
8.05.07E				13/4" Z20						

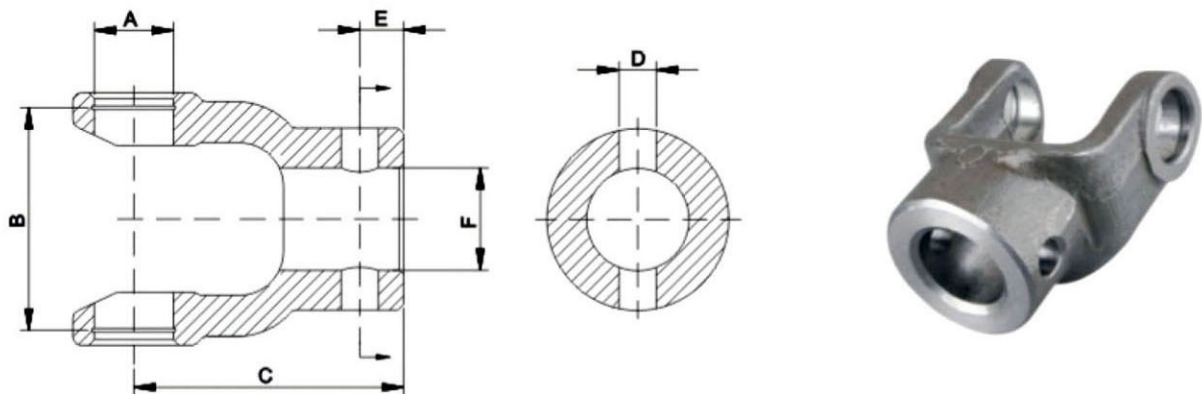




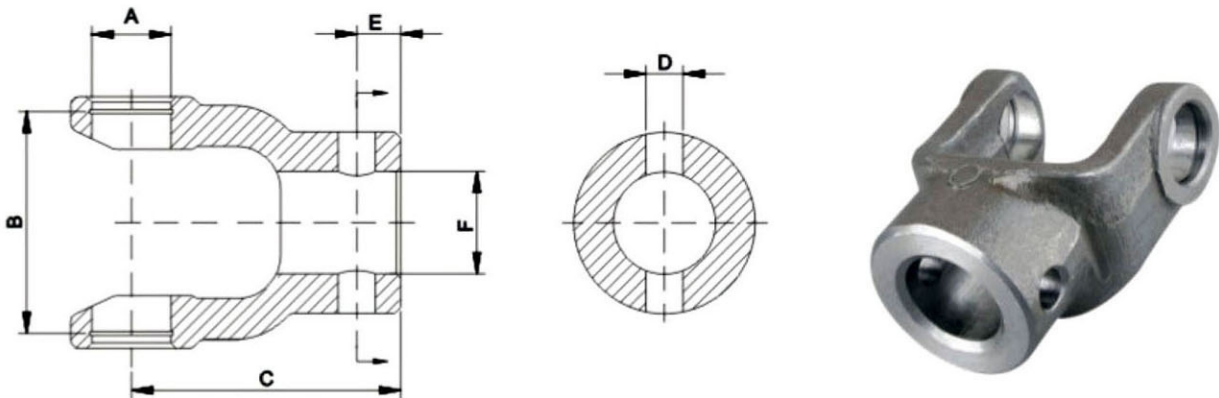
REF	A mm	B mm	C mm	D mm	E mm	F mm	G mm
1.05.08B	22	54	94				1 3/8" Z6
1.05.08D							1 3/8" Z21
2.05.08B	23.8	61.3	102				1 3/8" Z6
2.05.08D							1 3/8" Z21
3.05.08B	27	70	106				1 3/8" Z6
3.05.08D							1 3/8" Z21
4.05.08B	27	74.6	108				1 3/8" Z6
4.05.08D							1 3/8" Z21
5.05.08B	30.2	80	113	24	φ 13	S φ 12.7	1 3/8" Z6
5.05.08D							1 3/8" Z21
32.05.08B	32	76					1 3/8" Z6
32.05.08D							1 3/8" Z21
6.05.08B	30.2	92	120				1 3/8" Z6
6.05.08D							1 3/8" Z21
7.05.08B	30.2	106.5	125				1 3/8" Z6
7.05.08D							1 3/8" Z21
8.05.08B	35		128				1 3/8" Z6
8.05.08D							1 3/8" Z21



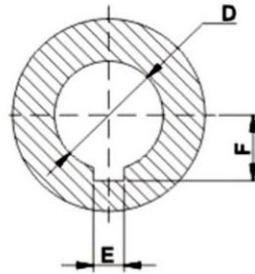
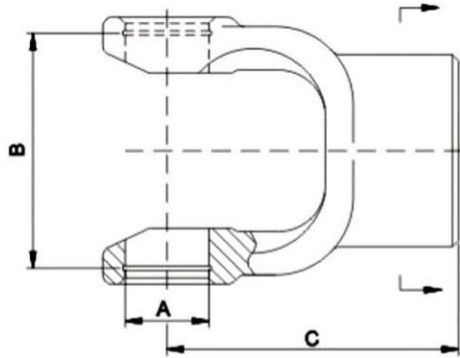
REF	A mm	B mm	C mm	D mm	E mm	F mm	G REF																						
1.05.13B	22	54	94	24	φ83	S φ12.7	1 3/8" Z6																						
1.05.13D							1 3/8" Z21																						
2.05.13B	23.8	61.3	102				24	φ83	S φ12.7	1 3/8" Z6																			
2.05.13D										1 3/8" Z21																			
3.05.13B	27	70	106							24	φ83	S φ12.7	1 3/8" Z6																
3.05.13D													1 3/8" Z21																
4.05.13B	27	74.6	108										24	φ83	S φ12.7	1 3/8" Z6													
4.05.13D																1 3/8" Z21													
5.05.13B	30.2	80	113													24	φ83	S φ12.7	1 3/8" Z6										
5.05.13D																			1 3/8" Z21										
6.05.13B	30.2	92	120																24	φ83	S φ12.7	1 3/8" Z6							
6.05.13D																						1 3/8" Z21							
7.05.13B	30.2	106.5	125																			24	φ83	S φ12.7	1 3/8" Z6				
7.05.13D																									1 3/8" Z21				
8.05.13B	35		106.5																						128	24	φ83	S φ12.7	1 3/8" Z6
8.05.13D																													1 3/8" Z21



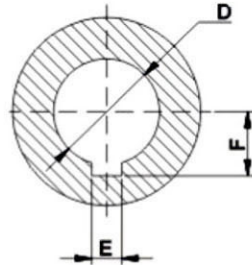
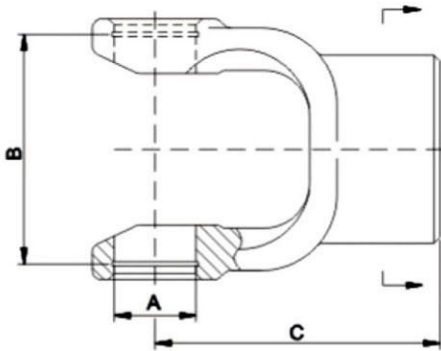
REF	A mm	B mm	C mm	D mm	E mm	F mm
1.05.A20	22	54	80	6	20	20
1.05.A22				8		22
1.05.A25				10		25
1.05.A30				13		30
1.05.A31.8				15		31.8
2.05.A20	23.8	61.3	84	6	20	20
2.05.A22				8		22
2.05.A25				10		25
2.05.A30				13		30
2.05.A35				15		35
3.05.A22	27	70	92	8	25	22
3.05.A25				10		25
3.05.A30				13		30
3.05.A35				15		35
3.05.A40				18		40
4.05.A22	27	74.6	92	8	25	22
4.05.A25				10		25
4.05.A30				13		30
4.05.A31.8				15		31.8
4.05.A35				18		35



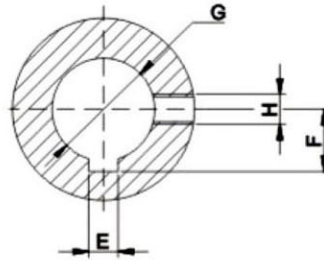
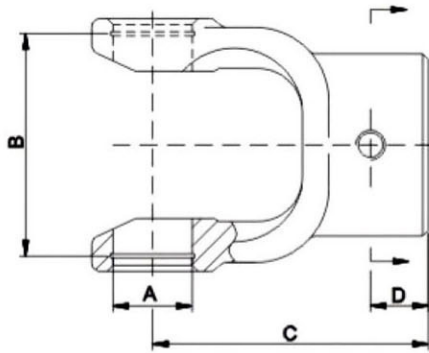
REF	A mm	B mm	C mm	D mm	E mm	F mm
5.05.A30				10		30
5.05.A35	30.2	80		13		35
5.05.A40			98			40
32.05.A30				10		30
32.05.A35	32	76		13	20	35
32.05.A40						40
6.05.A30				10		30
6.05.A35						35
6.05.A40	30.2	92	106			40
6.05.A42						42
7.05.A35						35
7.05.A40						40
7.05.A42	30.2		117	13		42
7.05.A45						45
8.05.A35		106.5			25	35
8.05.A40						40
8.05.A42	35		127			42
8.05.A45						45



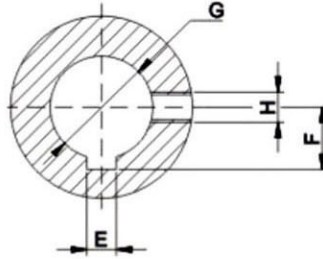
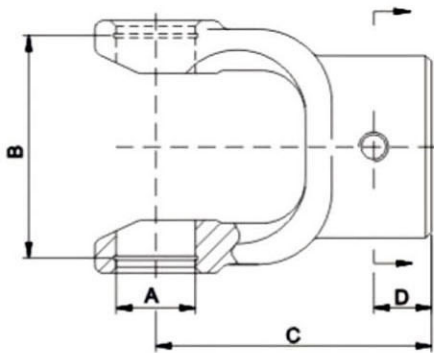
REF	A mm	B mm	C mm	D mm	E mm	F mm
1.05.B20	22	54	80	20	6	12.8
1.05.B22				22		
1.05.B25				25	15.8	
1.05.B30				30		8
2.05.B20	23.8	61.3	84	20	6	12.8
2.05.B22				22		
2.05.B25				25	8	15.8
3.05.B22	27	70	92	22	6	13.8
3.05.B25				25	8	15.8
3.05.B30				30	8	18.3
3.05.B35				35	10	20.8
4.05.B22	27	74.6	92	22	6	13.8
4.05.B25				25	8	15.8
4.05.B30				30	8	18.3
4.05.B35				35	10	20.8



REF	A mm	B mm	C mm	D mm	E mm	F mm
5.05.B30	30.2	80	98	30	8	18.3
5.05.B35				35	10	20.8
5.05.B40				40	12	23.3
32.05.B30	32	76	98	30	8	18.3
32.05.B35				35	10	20.8
32.05.B40				40	12	23.3
6.05.B30	30.2	92	106	30	8	18.3
6.05.B35				35	10	20.8
6.05.B40				40	12	23.3
6.05.B42				42	12	24.3
7.05.B35	30.2	106.5	117	35	10	20.8
7.05.B40				40	12	23.3
7.05.B42				42	12	24.3
7.05.B45				45	14	26.3
8.05.B35	35	127	127	35	10	20.8
8.05.B40				40	12	23.3
8.05.B42				42	12	24.3
8.05.B45				45	14	26.3

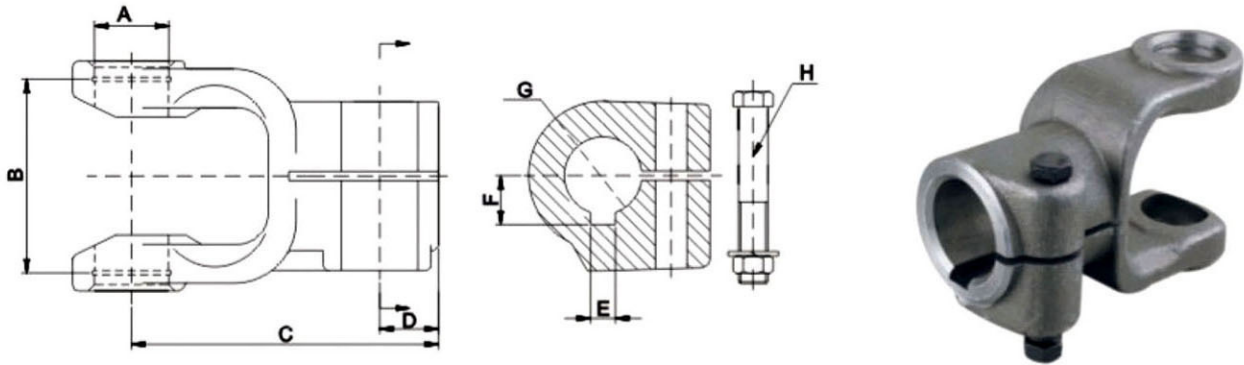


REF	A mm	B mm	C mm	D mm	E mm	F mm	G mm	H mm	
1.05.C20	22	54	80	20	6	12.8	20	M6	
1.05.C22						13.8	22	M6	
1.05.C25					8	15.8	25	M8	
1.05.C30						18.3	30	M8	
2.05.C20	23.8	61.3	84	20	6	12.8	20	M6	
2.05.C22						13.8	22	M6	
2.05.C25					8	15.8	25	M8	
2.05.C30						18.3	30	M8	
3.05.C22	27	70	92	20	15	6	13.8	22	M6
3.05.C25					8	15.8	25	M8	
3.05.C30						18.3	30	M8	
3.05.C35					10	20.8	35	M10	
4.05.C22	27	74.6	92	20	6	13.8	22	M6	
4.05.C25						8	15.8	25	M8
4.05.C30					18.3		30	M8	
4.05.C35					10	20.8	35	M10	

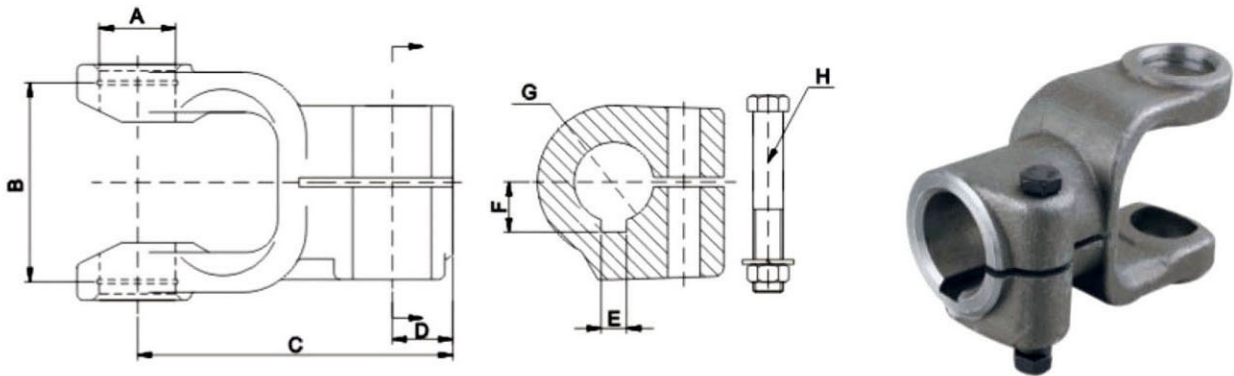


REF	A mm	B mm	C mm	D mm	E mm	F mm	G mm	H mm			
5.05.C30	30.2	80	98	20	8	18.3	30	M8			
5.05.C35					10	20.8	35	M10			
5.05.C40					12	23.3	40	M12			
32.05.C30					8	18.3	30	M8			
32.05.C35	32	76		106	20	10	20.8	35	M10		
32.05.C40	12					23.3	40	M12			
6.05.C30	8					18.3	30	M8			
6.05.C35	10	20.8				35	M10				
6.05.C40	30.2	92	106		20	12	23.3	40	M12		
6.05.C42						12	24.3	42	M12		
7.05.C35	30.2	106.5				117	25	10	20.8	35	M10
7.05.C40								12	23.3	40	M12
7.05.C42				12	24.3			42	M12		
7.05.C45				14	26.3			45	M14		
8.05.C35	35			127	127		25	10	20.8	35	M10
8.05.C40								12	23.3	40	M12
8.05.C42			12					24.3	42	M12	
8.05.C45			14					26.3	45	M14	

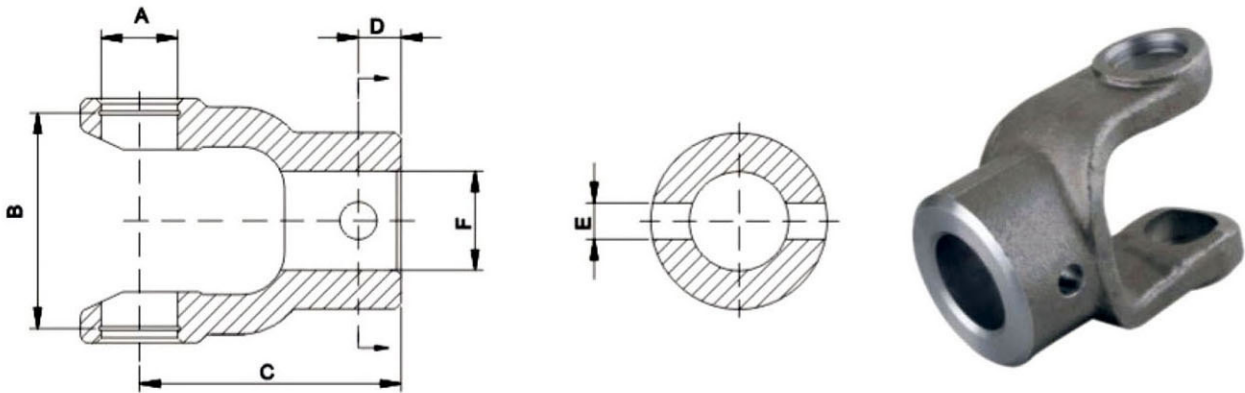




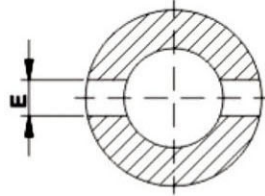
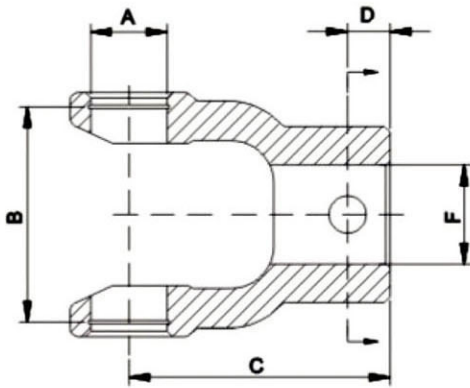
REF	A mm	B mm	C mm	D mm	E mm	F mm	G mm	H mm
1.05.D20					6	12.8	20	
1.05.D30	22	54	90	20	8	18.3	30	
1.05.D32					10	19.3	32	
2.05.D25					8	15.8	25	M10×70
2.05.D30	23.8	61.3	99			18.3	30	
2.05.D32						10	19.3	
3.05.D25					8	15.8	25	
3.05.D32	27	70	102	19	10	19.3	32	
3.05.D35						20.8	35	
4.05.D25					8	15.8	25	M8×70
4.05.D32	27	74.6	107			19.3	32	
4.05.D38						10	22.3	



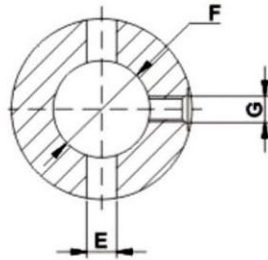
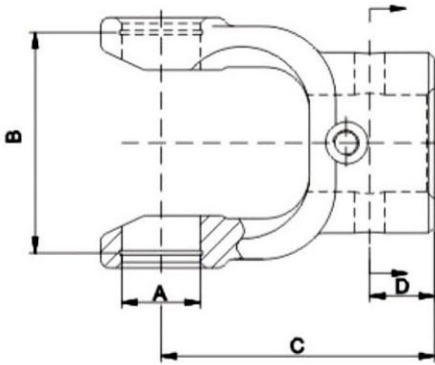
REF	A mm	B mm	C mm	D mm	E mm	F mm	G mm	H mm
5.05.D32	30.2	80	109	19	10	19.3	32	M12×70
5.05.D35						20.8	35	
32.05.D32	32	76	116	19	10	19.3	32	M12×70
32.05.D35						20.8	35	
6.05.D30	30.2	92	126	29	8	18.3	30	M12×80
6.05.D32					10	19.3	32	
6.05.D38	30.2	92	126	29	14	22.3	38	M12×80
6.05.D45						26.3	45	
6.05.D50	30.2	92	126	29	14	28.8	50	M12×80
6.05.D30						8	18.3	
7.05.D35	30.2	106.5	121	19	10	20.8	35	M10×70
7.05.D40					10	23.3	40	M8×70
8.05.D30	35	106.5	132	29	8	18.3	30	M12×80
8.05.D35					10	20.8	35	
8.05.D40	35	106.5	132	29	10	23.3	40	M12×85
8.05.D45					14	26.3	45	



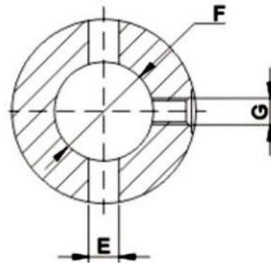
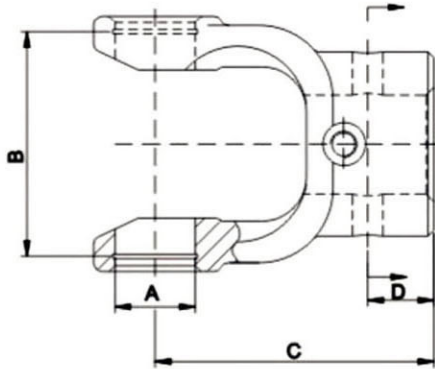
REF	A mm	mm	B mm	D mm	E mm	F mm
1.05.F20	22	54	80	15	6	20
1.05.F22					8	22
1.05.F25					8	25
1.05.F30				10	30	
1.05.F31.8				18.5	31.8	
2.05.F20	23.8	61.3	84	15	6	20
2.05.F22					8	22
2.05.F25					8	25
2.05.F30					10	30
3.05.F22	27	70	92	20	8	22
3.05.F25					8	25
3.05.F30					10	30
3.05.F35					13	35
4.05.F22	27	74.6	92	20	8	22
4.05.F25					8	25
4.05.F30					10	30
4.05.F31.8					10	31.8
4.05.F35					13	35



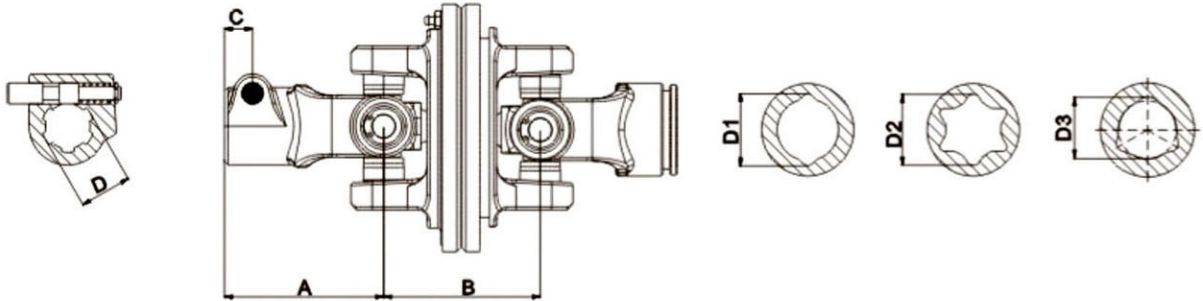
REF	A mm	B mm	C mm	D mm	E mm	F <sup>HS</sup> mm
5.05.F30	30.2	80	98	20	10	30
5.05.F35					13	35
5.05.F40						40
32.05.F30	32	76		20	10	30
32.05.F35					13	35
32.05.F40						40
6.05.F30	30.2	92	106		10	30
6.05.F35						35
6.05.F40						40
6.05.F42						42
7.05.F35	30.2		117		13	35
7.05.F40						40
7.05.F42						42
7.05.F45	35	106.5		25		45
8.05.F35						35
8.05.F40						40
8.05.F42						42
8.05.F45						45



REF	A mm	B mm	C mm	D mm	E mm	F mm	G mm
1.05.H20	22	54	80	15	6	20	M6
1.05.H22					8	22	
1.05.H25					10	25	
1.05.H30					10	30	
1.05.H31.8					18.5	31.8	
2.05.H20	23.8	61.3	84	15	6	20	
2.05.H22					8	22	
2.05.H25					10	25	
2.05.H30					10	30	
3.05.H22					27	70	
3.05.H25	10	25					
3.05.H30	13	30					
3.05.H35	13	35					
4.05.H22	27	74.6	92	20			
4.05.H25					10	25	
4.05.H30					10	30	
4.05.H31.8					13	31.8	
4.05.H35					15	35	M8

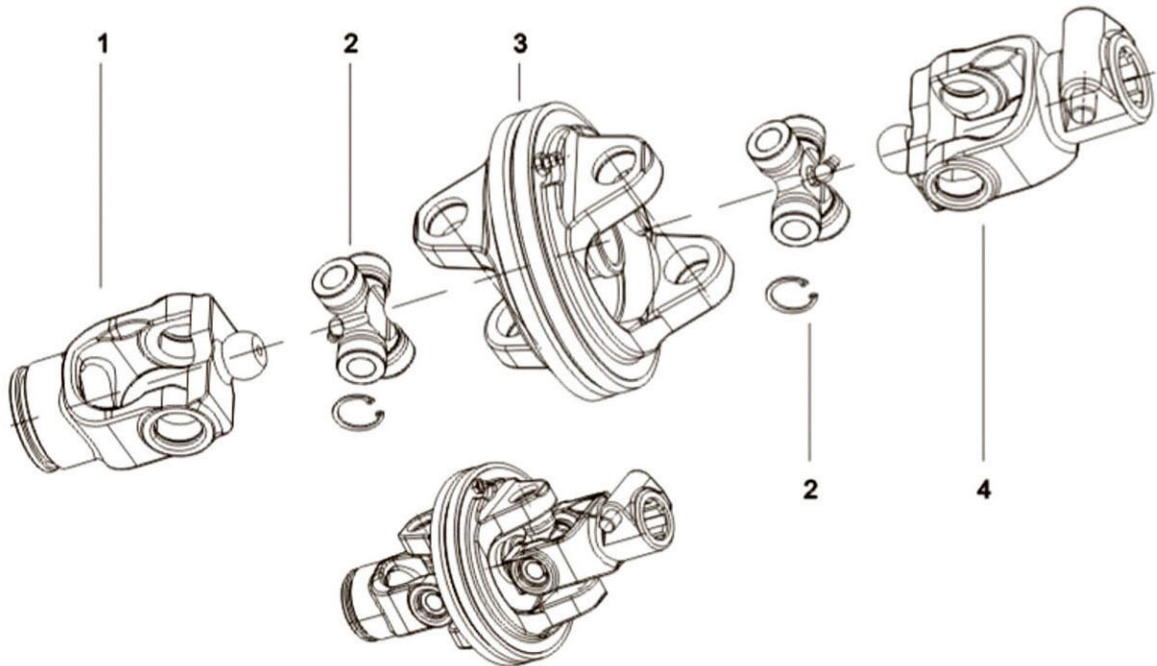


REF	A mm	B mm	C mm	D mm	E mm	F mm	G mm			
5.05.H30	30.2	80	98	20	10	30	M6			
5.05.H35					13	35	M8			
5.05.H40					13	40	M10			
32.05.H30	32	76			10	30	M6			
32.05.H35					13	35	M8			
32.05.H40					13	40	M10			
6.05.H30	30.2	92	106	25	10	30	M6			
6.05.H35					13	35	M8			
6.05.H40					13	40	M10			
6.05.H42					13	42	M10			
7.05.H35	30.2	106.5	117	25	13	35	M8			
7.05.H40						40	M10			
7.05.H42						42	M10			
7.05.H45	45		M10							
8.05.H35	35		127			127	127	13	35	M8
8.05.H40									40	M10
8.05.H42		42		M10						
8.05.H45		45		M10						

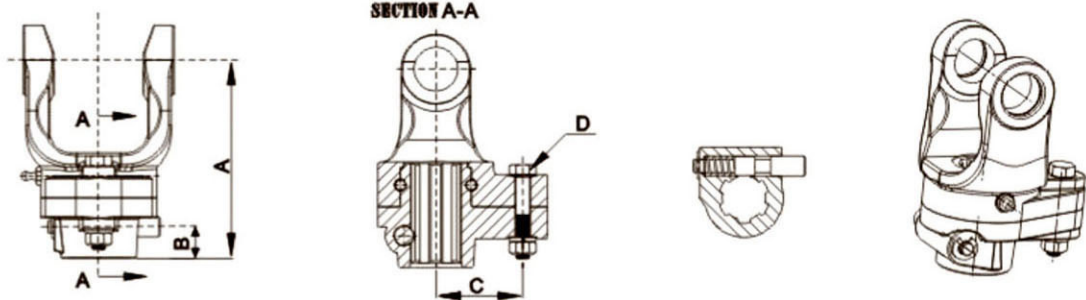


**WIDE ANGLE JOINT CODE: 32WA.00**

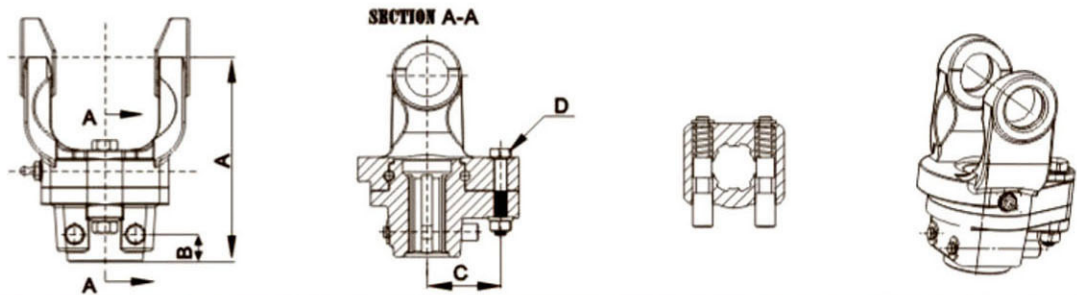
A	B	C	D <sub>1</sub>	D <sub>2</sub>	D <sub>3</sub>
109mm	105mm	19mm	49mm	47.4mm	44.7mm



CODE	DESCRIPTION	NOTES
1	TUBE YOKE	32WA.07L / 32WA.07S / 32WA.07
2	CROSS ASSEMBLY	φ32 × 76 - φ27 × 94
3	CENTRAL BODY	32WA
4	END YOKE	32WA.05.07

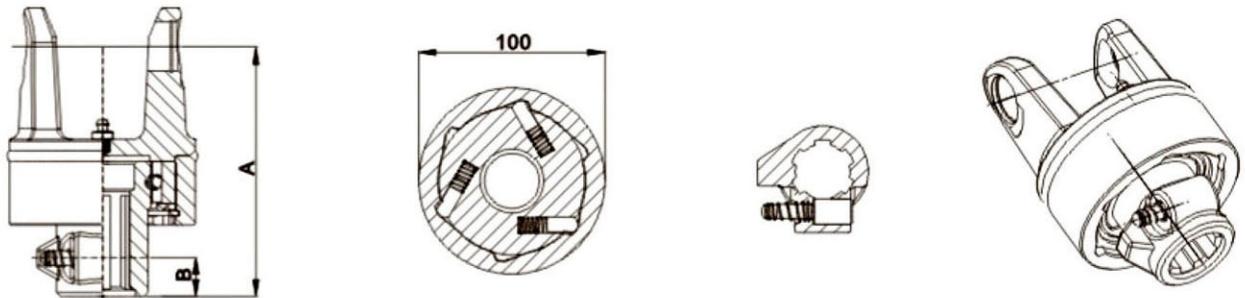


SIZE	REF.	Torque Nm	Spline (Female)	A mm	B mm	C mm	D REF		
1	1SB	650	13/8" Z6	95	19	45	M6×40		
	1SBT1	650				35			
2	2SB	900		99		19		45	M6×40
	2SBT1	950						48	
3	3SB	1280		102		19		38	M8×45
	3SBT1	1300						40	
4	4SB	1480		107	19	48	M8×45		
	4SBT1	1700				55			
5	5SB	1800		111	21	46	M8×50		
	5SBT1	2100				46	M10×50		
6	6SB	2100		137	22	60	M8×55		
	6SBT1	2500				55	M10×55		

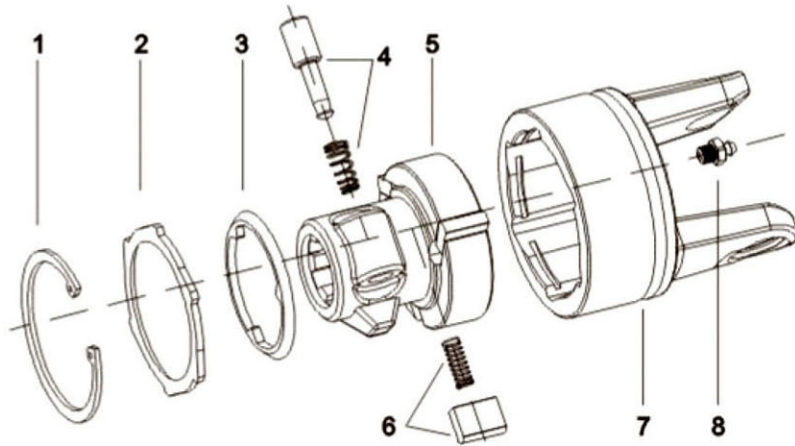


7	7SB	2500	13/8" Z6	143	22	45	M10×60		
	7SBT1	3000				49	M12×60		
8	8SB	3000		148		20	60	M10×60	
	8SBT1	3500					57	M12×60	
38	8SB.C	3500		13/4" Z6		147	20	60	M10×60
	8SBT1.C	3500						57	M12×60
38	38SB	3500		13/8" Z6	147	20	60	M10×60	

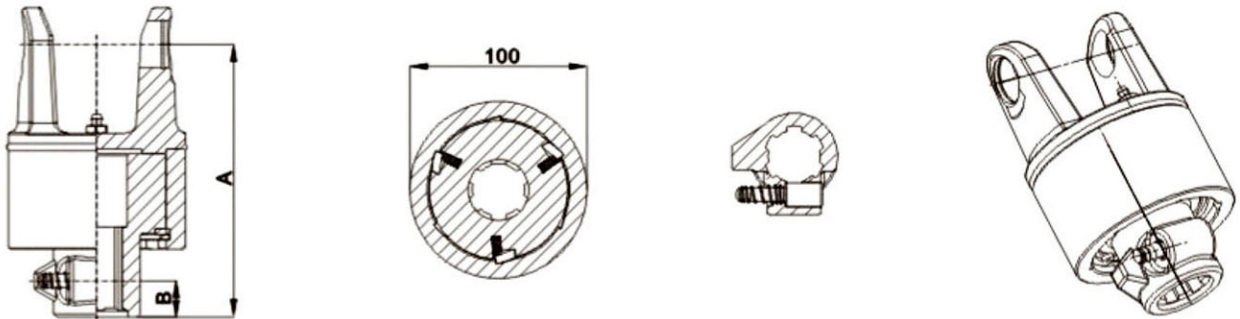




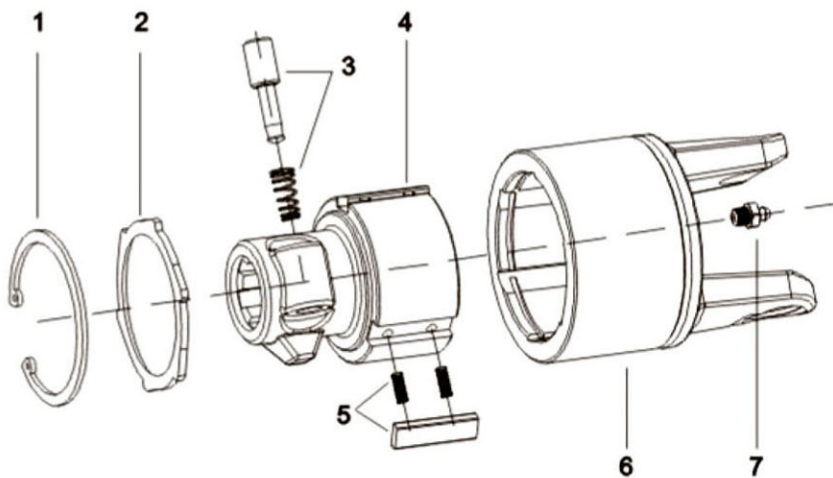
SIZE	REF.	Max torque (Nm)	Spline (Female)	A mm	B mm
1	1RA1	1600	13/8" Z6	125	24
2	2RA1			130	
3	3RA1			132	
4	4RA1			138	
5	5RA1			141	
6	6RA1			148	



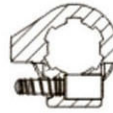
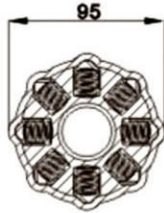
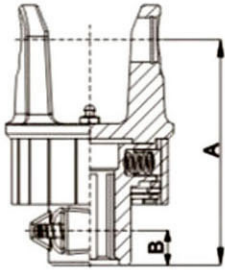
CODE	DESCRIPTION	NOTES
1	Circlip	
2	Retaining washer	
3	Dust guard ring	
4	Push pin kit	
5	Hub	
6	Prong kit	Qty.=3
7	Housing with yoke	
8	Grease nipple	



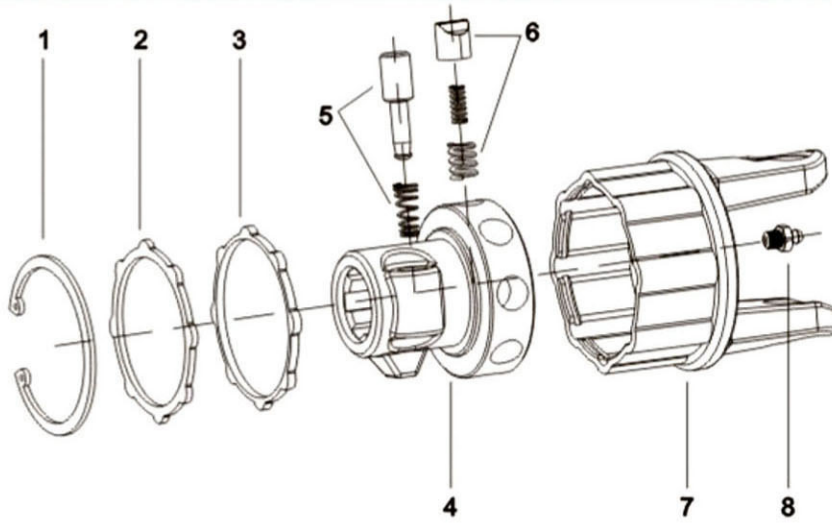
SIZE	REF.	Max torque (Nm)	Spline (Female)	A mm	B mm
5	5RA2	2400	13/8"Z6	160	24
6	6RA2			167	



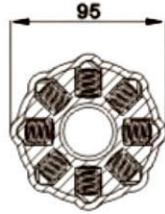
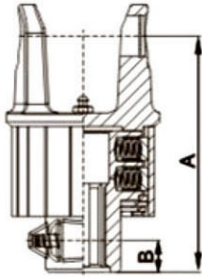
CODE	DESCRIPTION	NOTES
1	Circlip	
2	Retaining washer	
3	Push pin kit	
4	Hub	
5	Prong kit	Qty.=3
6	Housing with yoke	
7	Grease nipple	



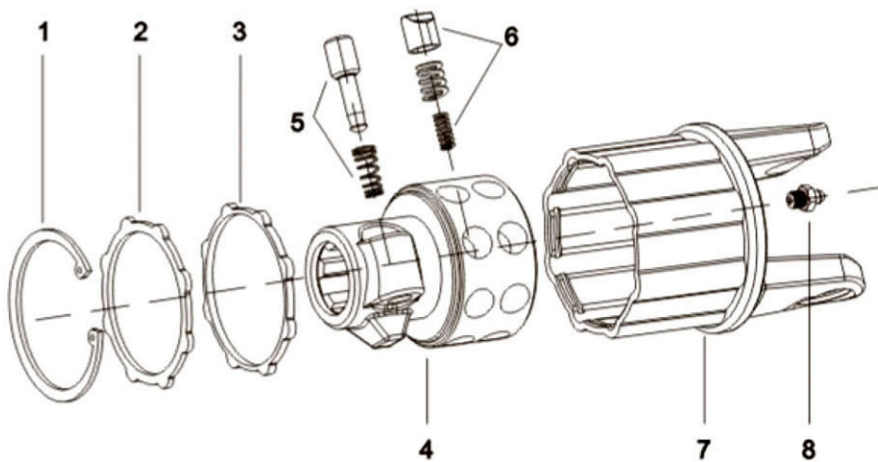
SIZE	REF.	Max torque (Nm)	Spline (Female)	A mm	B mm
1	1SA1	300	13/8"Z6	125	24
2	2SA1			130	
3	3SA1			132	



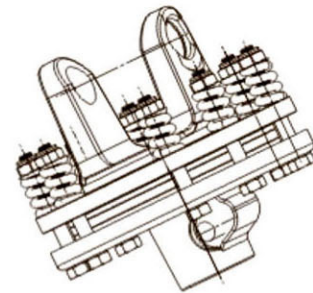
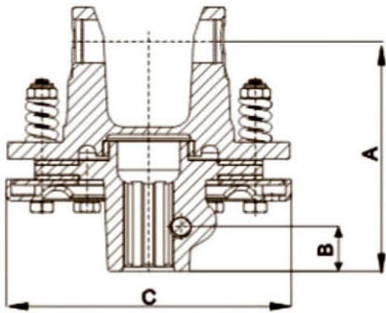
CODE	DESCRIPTION	NOTES
1	Circlip	
2	Retaining washer	
3	Dust guard ring	
4	Hub	
5	Push pin kit	
6	Pawl Kit	Q.ty=8
7	Housing with yoke	
8	Grease nipple	



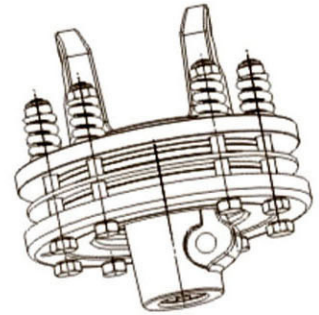
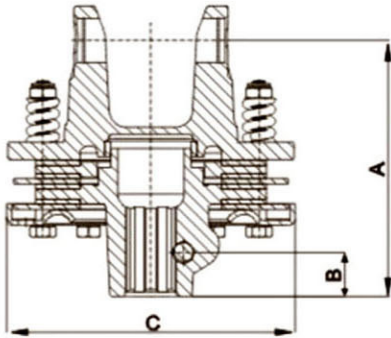
SIZE	REF.		Spline (Female)	A mm	B mm
1	1SA2	600	13/8"Z6	144	24
2	2SA2			149	
3	3SA2			152	
4	4SA2			157	
5	5SA2			161	



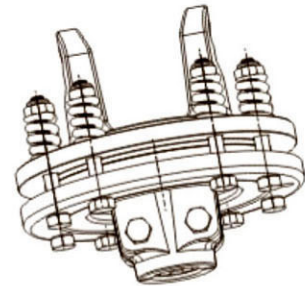
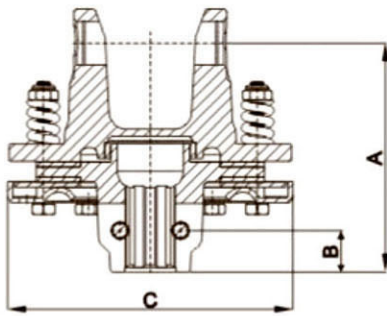
CODE	DESCRIPTION	NOTES
1	Circlip	
2	Retaining washer	
3	Dust guard ring	
4	Hub	
5	Push pin kit	
6	Pawl Kit	Q.ty=16
7	Housing with yoke	
8	Grease nipple	



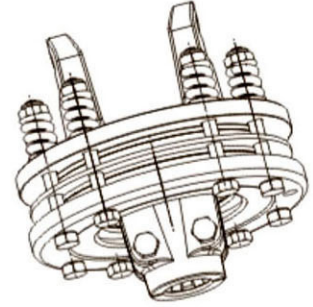
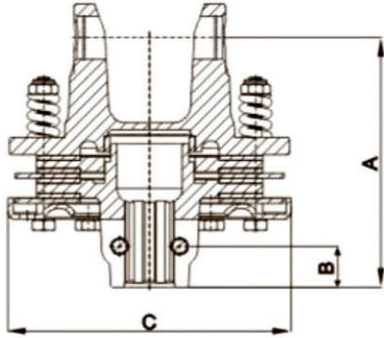
SIZE	REF.	Max torque (Nm)	Friction disc	Spline (Female)	A mm	B mm	C mm
4	4FF1	900	φ 140	13/8" Z6	155	29	φ 180
	4FF1.D			13/8" Z21			
5	5FF1	900	φ 140	13/8" Z6	153	29	φ 185
	5FF1.D			13/8" Z21			
6	6FF1	900	φ 140	13/8" Z6	163	29	φ 180
	6FF1.D			13/8" Z21			
4	4FF2	1200	φ 160	13/8" Z6	155	29	φ 200
	4FF2.D			13/8" Z21			
5	5FF2	1200	φ 160	13/8" Z6	154	29	φ 200
	5FF2.D			13/8" Z21			
6	6FF2	1200	φ 160	13/8" Z6	162	29	φ 200
	6FF2.D			13/8" Z21			
	6FF2.C			13/4" Z6			
	6FF2.E			13/4" Z20			
7	7FF2	1200	φ 160	13/8" Z6	167	29	φ 200
	7FF2.D			13/8" Z21			
	7FF2.C			13/4" Z6			
	7FF2.E			13/4" Z20			
8	8FF2	1200	φ 160	13/8" Z6	168	29	φ 200
	8FF2.D			13/8" Z21			
	8FF2.C			13/4" Z6			
	8FF2.E			13/4" Z20			



SIZE	REF.	Max torque (Nm)	Friction disc	Spline (Female)	A mm	B mm	C mm		
5	5FF3	1500	φ 140	13/8" Z6	170	29	φ 180		
	5FF3.D			13/8" Z21					
6	6FF3			13/8" Z6	178				
	6FF3.D			13/8" Z21					
	6FF3.C			13/4" Z6					
	6FF3.E			13/4" Z20					
6	6FF4			2000	φ 160			13/8" Z6	178
	6FF4.D							13/8" Z21	
	6FF4.C							13/4" Z6	
	6FF4.E							13/4" Z20	
7	7FF4	13/8" Z6	183			29	φ 200		
	7FF4.D	13/8" Z21							
	7FF4.C	13/4" Z6							
	7FF4.E	13/4" Z20							
8	8FF4	13/8" Z6	186	29	φ 200				
	8FF4.D	13/8" Z21							
	8FF4.C	13/4" Z6							
	8FF4.E	13/4" Z20							



SIZE	REF.	Max torque (Nm)	Friction disc	Spline (Female)	A mm	B mm	C mm			
4	4FFV1	900	φ 140	13/8" Z6	155	29	φ 180			
	4FFV1.D			13/8" Z21						
5	5FFV1			13/8" Z6	153		φ 185			
	5FFV1.D			13/8" Z21						
6	6FFV1			13/8" Z6	162		φ 180			
	6FFV1.D			13/8" Z21						
4	4FFV2			1200	φ 160		13/8" Z6	154	29	φ 200
	4FFV2.D						13/8" Z21			
5	5FFV2	13/8" Z6	153							
	5FFV2.D	13/8" Z21								
6	6FFV2	13/8" Z6	161							
	6FFV2.D	13/8" Z21								
	6FFV2.C	13/4" Z6								
	6FFV2.E	13/4" Z20								
7	7FFV2	13/8" Z6	166							
	7FFV2.D	13/8" Z21								
	7FFV2.C	13/4" Z6								
	7FFV2.E	13/4" Z20								
8	8FFV2	13/8" Z6	168							
	8FFV2.D	13/8" Z21								
	8FFV2.C	13/4" Z6								
	8FFV2.E	13/4" Z20								



SIZE	REF.	Max torque (Nm)	Friction disc	Spline (Female)	A mm	B mm	C mm
5	5FFV3	1500	φ 140	13/8" Z6	170	29	φ 180
	5FFV3.D			13/8" Z21			
6	6FFV3	1500	φ 140	13/8" Z6	178	29	φ 180
	6FFV3.D			13/8" Z21			
	6FFV3.C			13/4" Z6			
	6FFV3.E			13/4" Z20			
6	6FFV4	2000	φ 160	13/8" Z6	178	29	φ 200
	6FFV4.D			13/8" Z21			
	6FFV4.C			13/4" Z6			
	6FFV4.E			13/4" Z20			
7	7FFV4	2000	φ 160	13/8" Z6	183	29	φ 200
	7FFV4.D			13/8" Z21			
	7FFV4.C			13/4" Z6			
	7FFV4.E			13/4" Z20			
8	8FFV4	2000	φ 160	13/8" Z6	186	29	φ 200
	8FFV4.D			13/8" Z21			
	8FFV4.C			13/4" Z6			
	8FFV4.E			13/4" Z20			





## Hangzhou Brin Auto Parts Co., Ltd.

Address: Room 2008, Building No.1, Taifu Plaza, No.1 Middle Tonghui Road,  
Xiaoshan District, Hangzhou City, 311201, Zhejiang Province, P.R. China.

Tel: +86-571-82728010

Email: [sales@hzbrin.com](mailto:sales@hzbrin.com)

<http://www.hzbrin.com>