

画册产品以实物为准，以上数据仅作参考，福永饮料机械有限公司保留最终解释权
本画册产品不断更新，如有变动恕不另行通知。

Pictures showed are for reference, exact size is based on real product. All rights reserved.

We have been working and innovating with un-stop step, if any changes, we do not make an extra announce, please contact FUYONG for details.

FUYONG BEVERAGES MACHINERIES



福永饮料机械

桶装啤酒分发系统服务商



*Creating the
Nobleness beer for you*

为您营造
高尚啤酒享受

产品目录册
CATALOG



开平市福永饮料机械有限公司

Kaiping Fu Yong Beverages Machineries co.,Ltd

地址：广东省开平市水口镇罗岗路 13 座 4 号

ADD : Building 4 of NO.13,Luogang Road,Shui Kou Town,Kai Ping City,
Guangdong Province,China.

TEL:+86-13427226829

CONTENTS

FUYONG GLOBAL

PROJECT
REFERNCE

公司简介

开平市福永饮料机械有限公司坐落于广东省开平市水口镇，公司成立于2001年，是一家专业从事饮料机械技术装备及设备设计制造的私营企业。

我们的产品主要包括：啤酒冷冻机、啤酒柱、啤酒塔、啤酒桶以及其它配件。它们广泛应用于酒吧、酒店、餐馆等行业，我们的产品远销国内各地、香港、亚洲、非洲、中东以及欧美等，我们的高端品质在亚洲处于领先地位。

在激烈的市场竞争中，我们以优质的产品和服务赢得了众多客户的青睐。在未来，我们将一如既往地力求完美品质，以报答新老客户的支持。

Kai Ping Fu Yong Beverages Machinerics Co., Ltd is located in Guangdong Province, China. Established in 2001, we are a professional manufacturer of beer cooler equipments.

Our products include beer cooler, beer font, beer tower, beer dispenser, beer barrel and other accessories. They are being exported to Hong Kong, Asia, Middle East, Africa, Europe, USA and other markets. Our professional quality is top in Asia area.

In the fierce market competition, we have won the respect of many customers through our top quality and professional service. In the future, we will continue on pursuing excellence to repay our new and old customers.



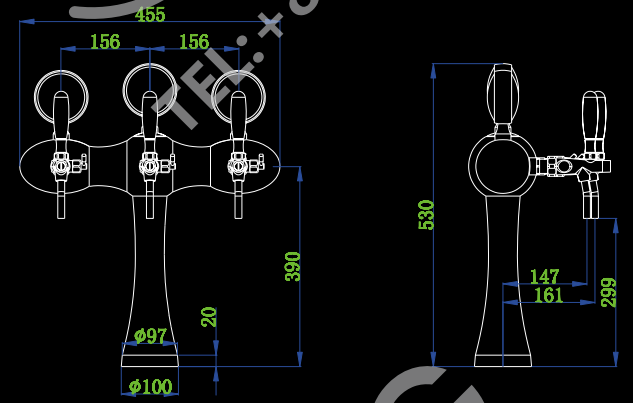
酒柱 (beer font)



TEL: +86-13427226829



F98B15-3
 材质: 铜电镀铬或其它颜色
 龙头螺纹: G5/8"
 Material: brass with chrome or other colour plated
 Tap thread: G5/8"





酒柱 (beer font)

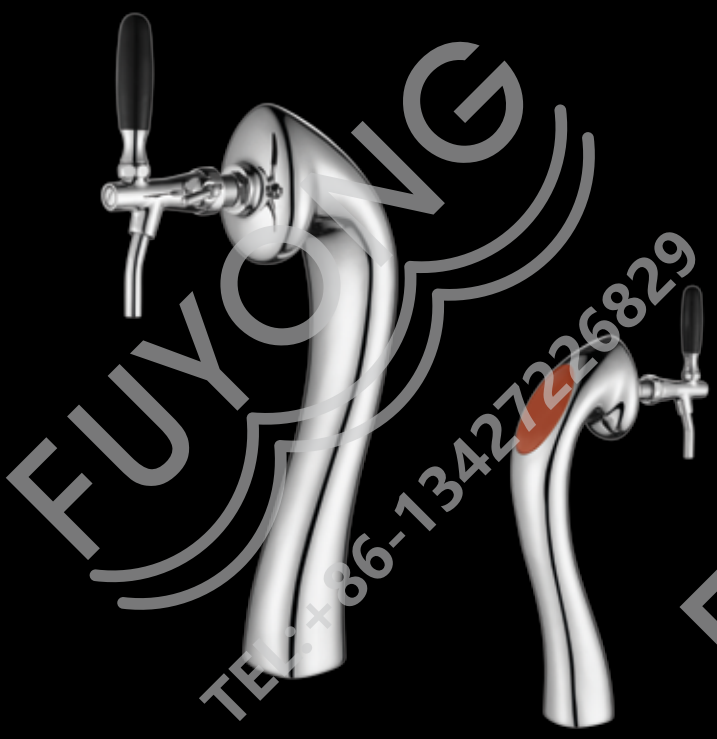


TEL: +86-13427226829



F98B22-1

材质: 304 不锈钢
 龙头螺纹: G5/8"
 Material: Stainless steel 304
 Tap thread: G5/8"



F98B23-1

材质: 铜电镀或其它颜色
 龙头螺纹: G5/8"
 Material: brass with chrome or other colour plated
 Tap thread: G5/8"



酒柱 (beer font)



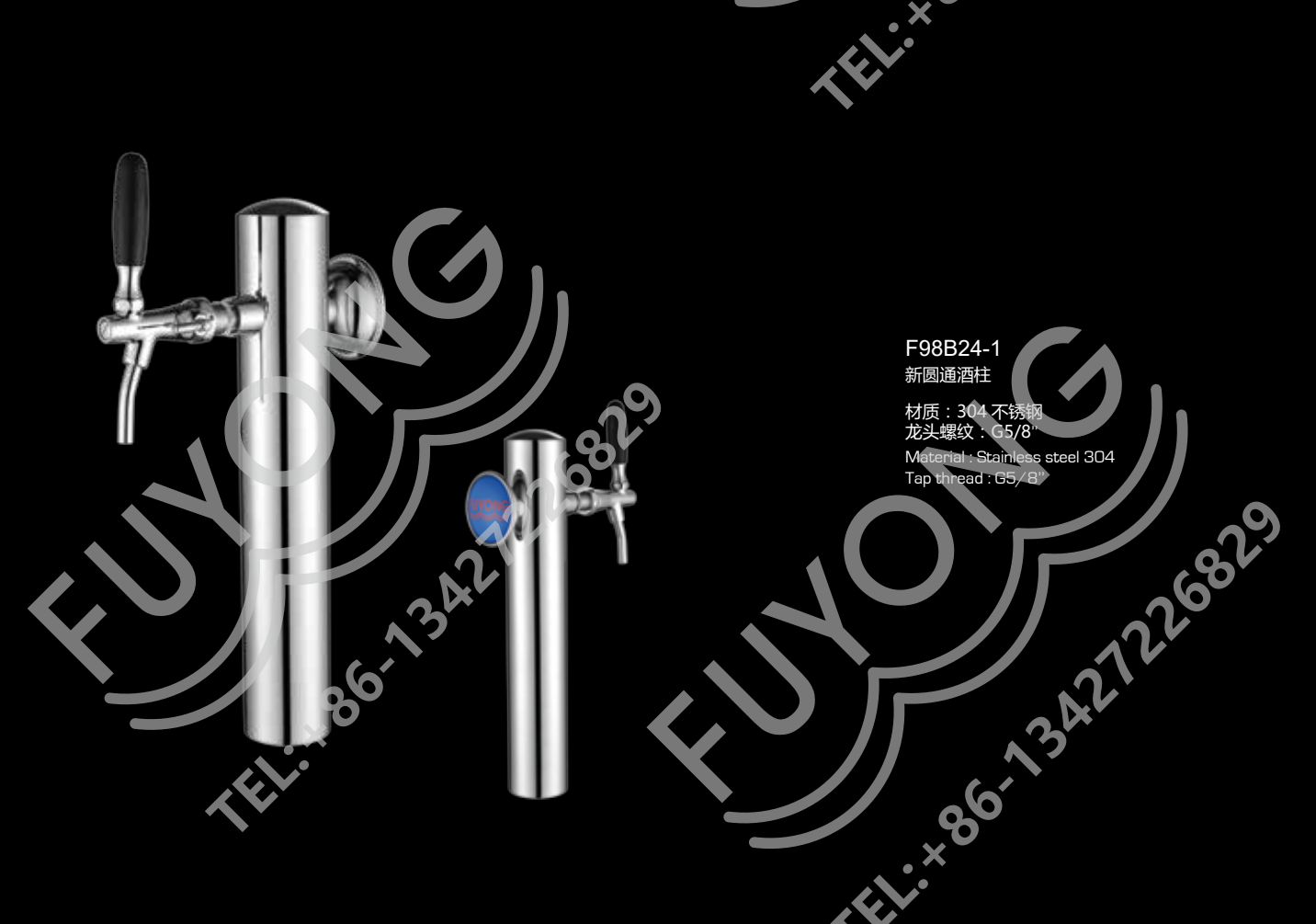
桶装啤酒分发解决方案

TEL: +86-13427226829



F98B22-2

材质：304 不锈钢
 龙头螺纹：G5/8"
 Material: Stainless steel 304
 Tap thread: G5/8"



F98B24-1

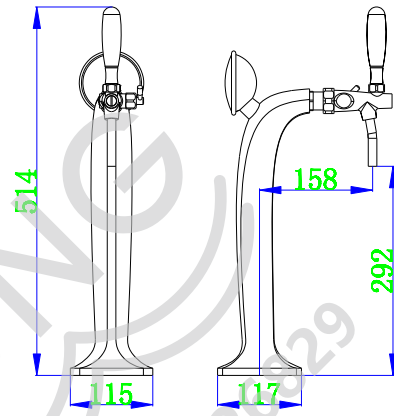
新圆通酒柱
 材质：304 不锈钢
 龙头螺纹：G5/8"
 Material: Stainless steel 304
 Tap thread: G5/8"

TEL:+86-13427226829



F98B3-1
单头蛇形酒柱

材质：铜电镀铬或其它颜色
龙头螺纹：G5/8"
Material: brass with chrome or other colour plated
Tap thread: G5/8"

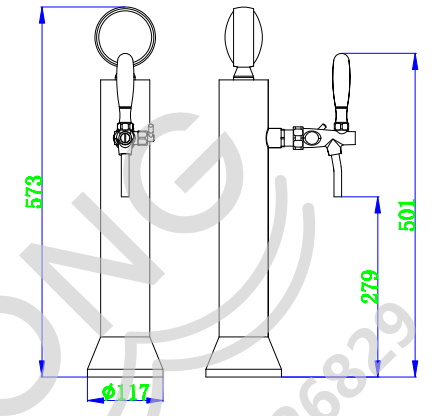


TEL:+86-13427226829



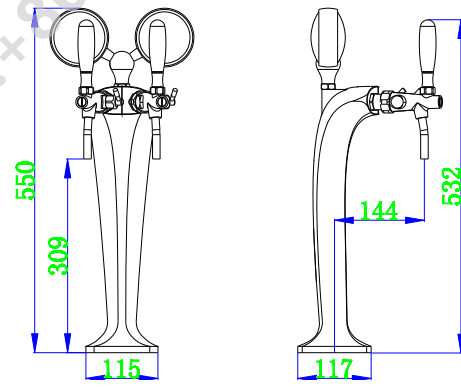
F98B4-1
圆通酒柱

材质：铜电镀铬或其它颜色
龙头螺纹：G5/8"
Material: brass with chrome or other colour plated
Tap thread: G5/8"



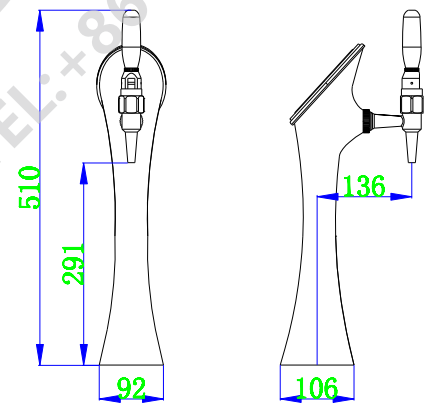
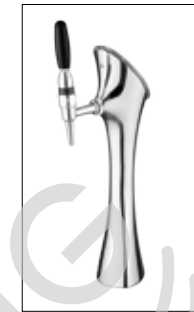
F98B3-2
双头蛇形酒柱

材质：铜或 304 不锈钢，表面电镀铬或其它颜色
龙头螺纹：G5/8"
Material: brass or stainless steel 304,
surface plated chrome or other colour
Tap thread: G5/8"



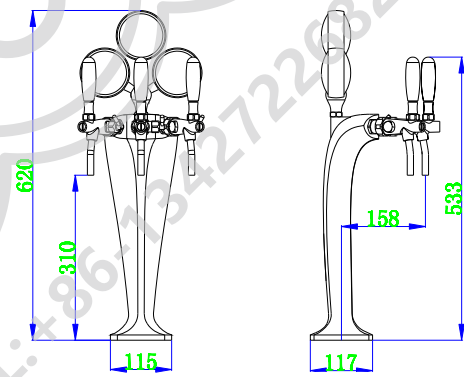
F98B5
阿莎宜酒柱

材质：铜电镀铬或其它颜色
龙头螺纹：G1/2"
Material: brass with chrome or other colour plated
Tap thread: G1/2"



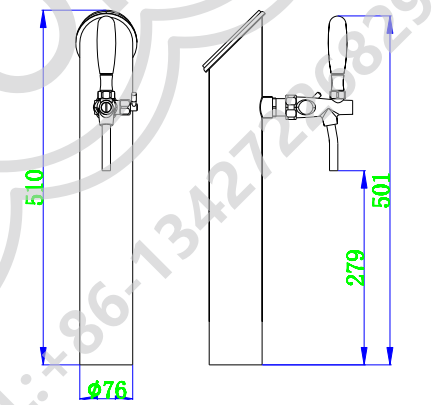
F98B3-3
三头蛇形酒柱

材质：铜或 304 不锈钢，表面电镀铬或其它颜色
龙头螺纹：G5/8"
Material: brass or stainless steel 304,
surface plated chrome or other colour
Tap thread: G5/8"



F98B9
斜口圆酒柱

材质：铜电镀铬或其它颜色
龙头螺纹：G5/8"
Material: brass with chrome or other colour plated
Tap thread: G5/8"

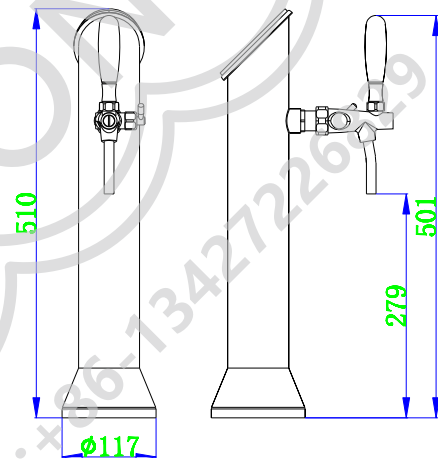


TEL:+86-13427226829



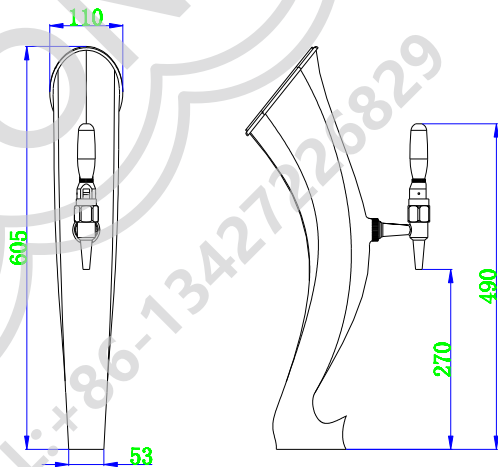
F98B10
斜口圆酒柱 (带座)

材质: 铜电镀铬或其它颜色
龙头螺纹: G5/8"
Material: brass with chrome or other colour plated
Tap thread: G5/8"



F98B11
大喇叭酒柱

材质: 铜电镀铬或其它颜色
龙头螺纹: G1/2"
Material: brass with chrome or other colour plated
Tap thread: G1/2"

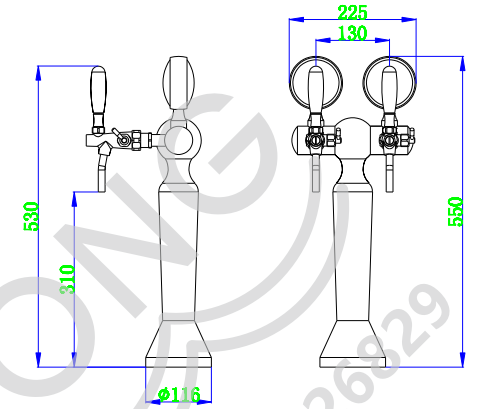


TEL:+86-13427226829



F98B12-2C
圆双头T吧酒柱

材质: 铜电镀铬或其它颜色
龙头螺纹: G5/8"
Material: brass with chrome or other colour plated
Tap thread: G5/8"



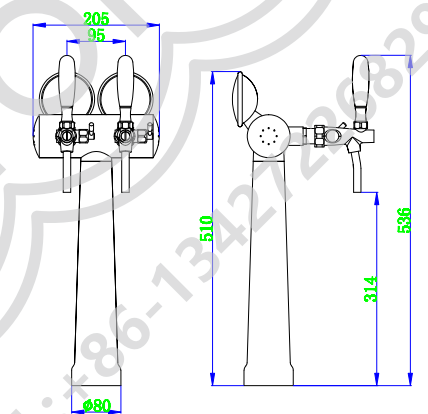
F98B12-3N
新三头T吧酒柱

材质: 铜电镀铬或其它颜色
龙头螺纹: G5/8"
Material: brass with chrome or other colour plated
Tap thread: G5/8"



F98B12-2
双头T吧酒柱

材质: 铜电镀铬或其它颜色
龙头螺纹: G5/8"
Material: brass with chrome or other colour plated
Tap thread: G5/8"

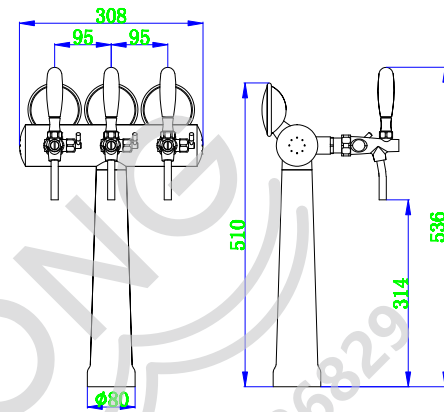


TEL:+86-13427226829



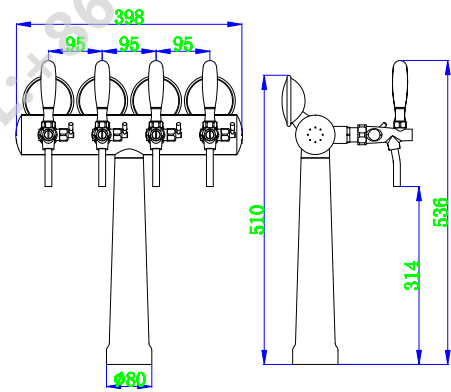
F98B12-3
三头T吧酒柱

材质：铜电镀铬或其它颜色
龙头螺纹：G5/8"
Material: brass with chrome or other colour plated
Tap thread: G5/8"



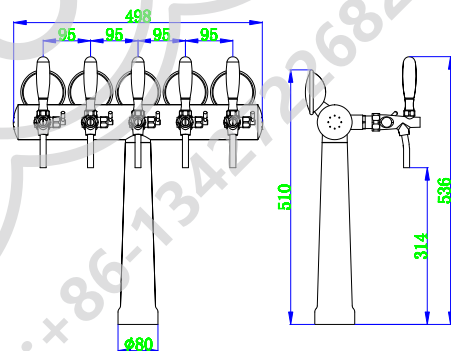
F98B12-4
四头T吧酒柱

材质：铜电镀铬或其它颜色
龙头螺纹：G5/8"
Material: brass with chrome or other colour plated
Tap thread: G5/8"



F98B12-5
五头T吧酒柱

材质：铜电镀铬或其它颜色
龙头螺纹：G5/8"
Material: brass with chrome or other colour plated
Tap thread: G5/8"

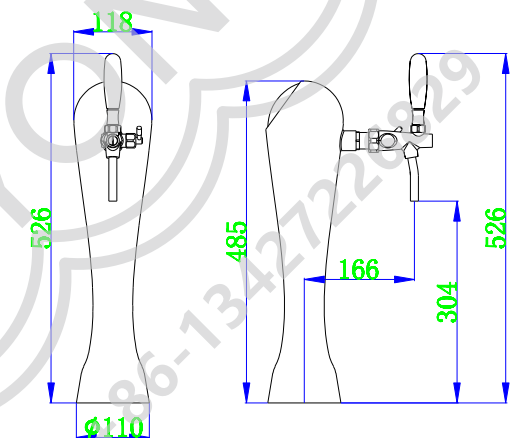


TEL:+86-13427226829



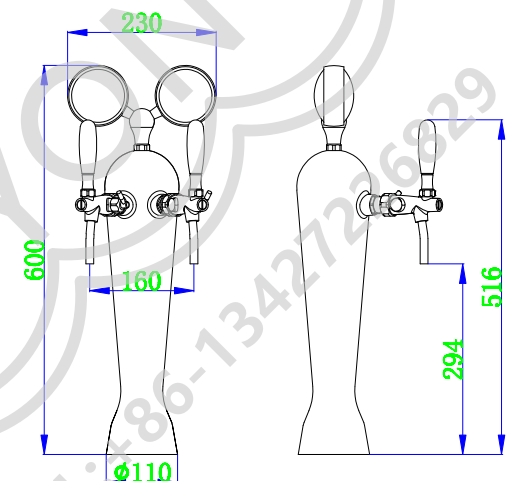
F98B14-1
斜口单头米奇酒柱

材质：304 不锈钢
龙头螺纹：G5/8"
Material: stainless steel 304
Tap thread: G5/8"



F98B14-2
双头米奇酒柱

材质：304 不锈钢
龙头螺纹：G5/8"
Material: stainless steel 304
Tap thread: G5/8"



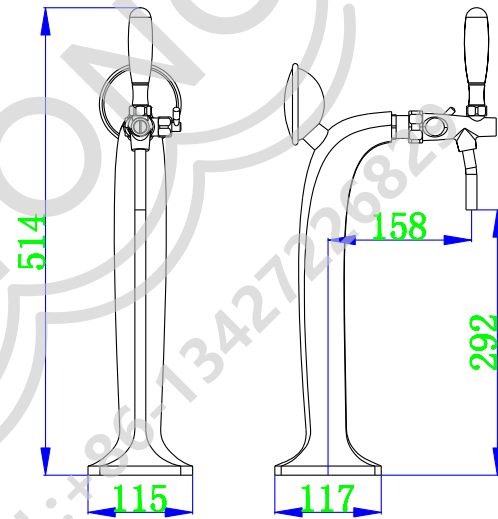


F98B3-1A (Glycol beer font)

单头蛇型冰酒柱

材质：铜电镀铬或其它颜色
龙头螺纹：G5/8"

Material : brass with chrome or other colour plated
Tap thread : G5/8"



F98B1-S
圆银色酒柱

材质：铝喷漆
龙头螺纹：G1/2"

Material : aluminum alloy with painted
Tap thread : G1/2"



F98B2-G
感叹绿酒柱

材质：铝喷漆
龙头螺纹：G1/2"

Material : aluminum alloy with painted
Tap thread : G1/2"

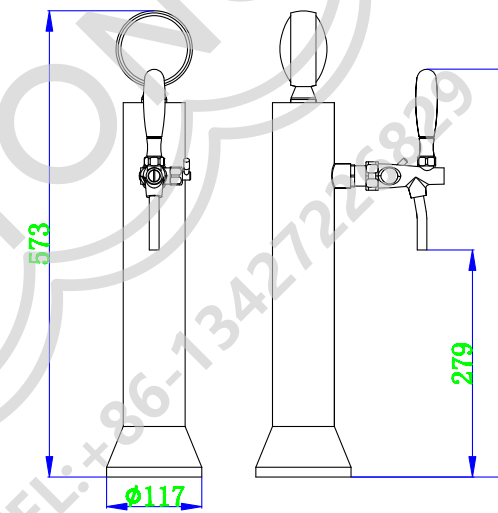


F98B4-1A (Glycol beer font)

圆通冰酒柱

材质：铜电镀铬或其它颜色
龙头螺纹：G5/8"

Material : brass with chrome or other colour plated
Tap thread : G5/8"



F98B6
不锈钢酒柱

材质：304 不锈钢
龙头螺纹：G1/2"

Material : SS304
Tap thread : G1/2"



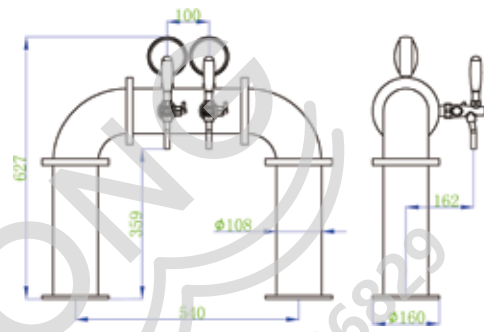
F98B8
陶瓷酒柱

材质：陶瓷
龙头螺纹：G1/2"

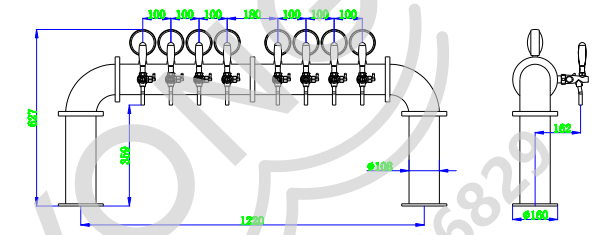
Material : CERAMIC
Tap thread : G1/2"



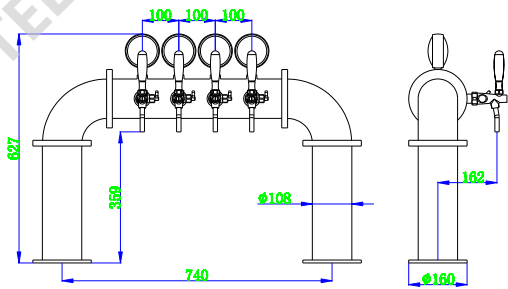
F98B13-2
双头桥型酒柱



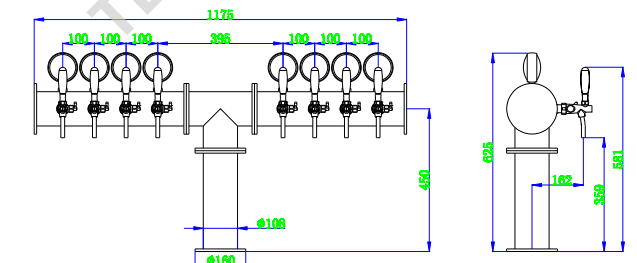
F98B13-8
八头桥型酒柱



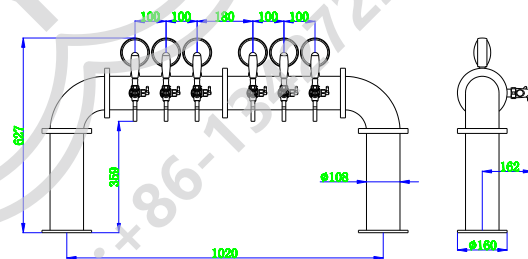
F98B13-4
四头桥型酒柱



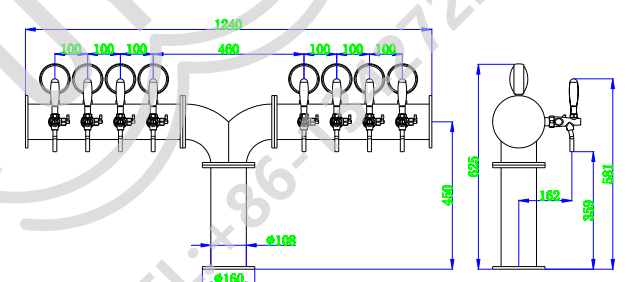
F98B13-8T
八头T型酒柱



F98B13-6
六头桥型酒柱



F98B13-8Y
八头Y型酒柱



F98B13-4L
四头 L 型酒柱



F98B13-12
十二头桥型酒柱



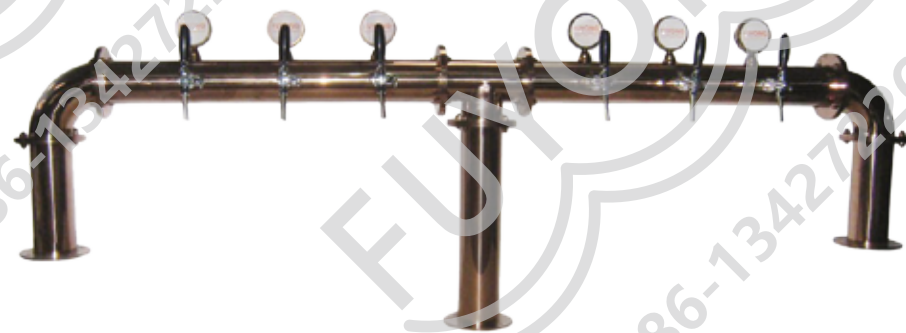
F98B13-5
五头桥型酒柱



F98B13-12T
十二头 T 型酒柱



F98B13-6M
六头 M 型酒柱



F98B13-18Y
十八头 Y 型酒柱



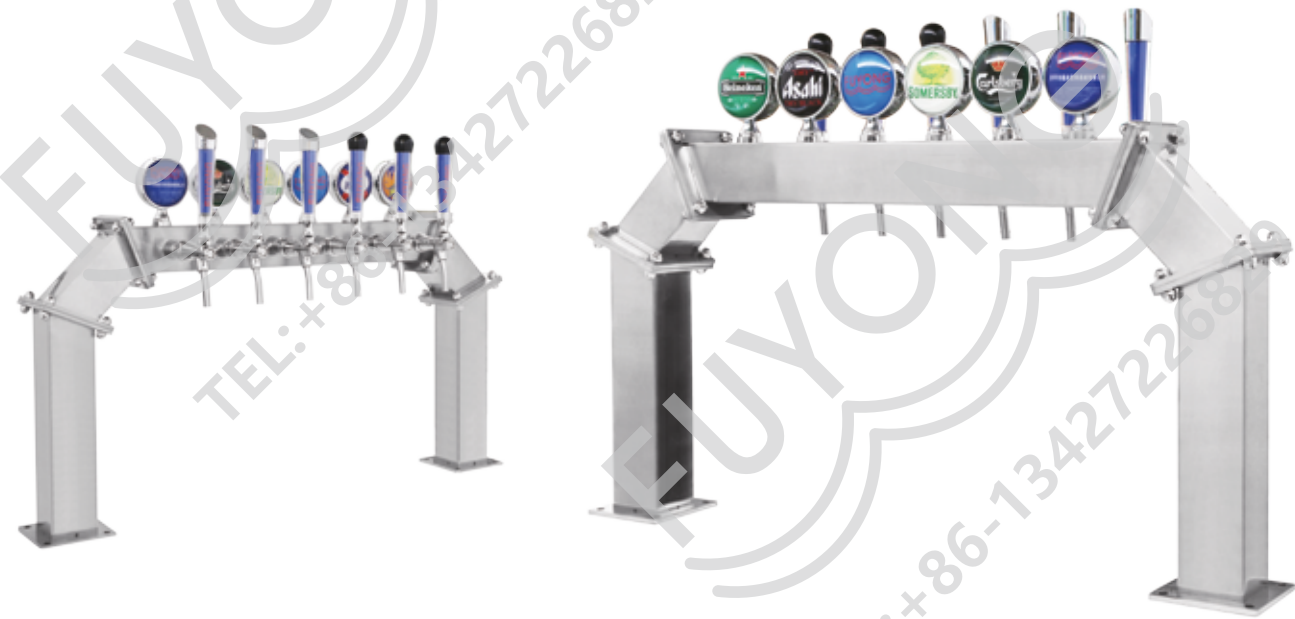
桶装啤酒分发解决方案

桶装啤酒分发解决方案

TEL:+86-13427226829

TEL:+86-13427226829

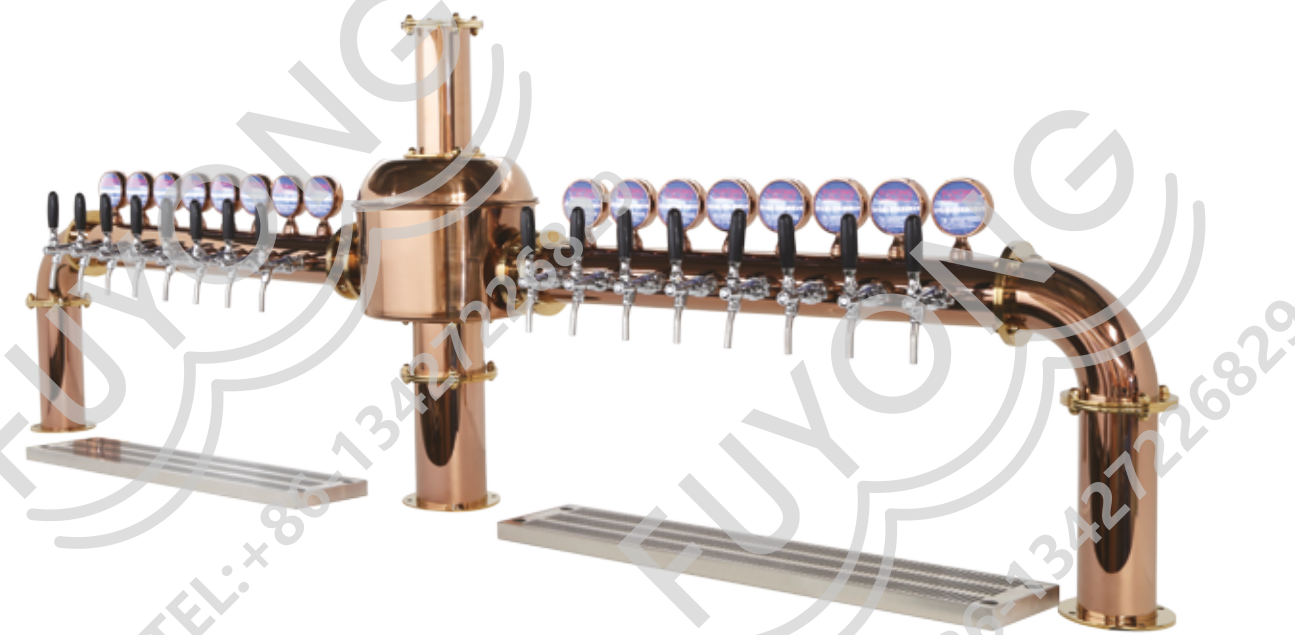
F98B20-6
方体桥型酒柱



F98B17-3
酒柱



F98B21-16



F98B18-4
怀旧色酒柱(带装饰气表)



F98B19-5
怀旧色酒柱



TEL:+86-13427226829



FUYONG 工程案例

给您酿造一个美好的现在
和一个更美好的未来!



TEL:+86-13427226829





F98002
立式啤酒冷冻机
外壳材质：铁喷漆或 304 不锈钢
水箱容积：47L
压缩机：1/2HP
酒管数：1-4
尺寸：470*470*730mm

Sell material:iron with painted or SS304
Water tank: 47L
Compressor: 1/2HP
Coil quantity: 1-4 pcs
Dimension: 470*470*730mm



F98002A
立式啤酒冷冻机
外壳材质：铁喷漆或 304 不锈钢
水箱容积：47L
压缩机：1/2HP
酒管数：1-4
尺寸：470*470*610mm

Sell material:iron with painted or SS304
Water tank: 47L
Compressor: 1/2HP
Coil quantity: 1-4 pcs
Dimension: 470*470*610mm



F98003
台式啤酒冷冻机
外壳材质：铁喷漆或 304 不锈钢
水箱容积：19L
压缩机：1/3HP
酒管数：1-2
尺寸：475*300*500mm

Sell material:iron with painted or SS304
Water tank: 19L
Compressor: 1/3HP
Coil quantity: 1-2 pcs
Dimension: 475*300*500mm



F98004
立式啤酒冷冻机
外壳材质：铁喷漆或 304 不锈钢
水箱容积：33L
压缩机：1/3HP
酒管数：1-2
尺寸：400*400*730mm

Sell material:iron with painted or SS304
Water tank: 33L
Compressor: 1/3HP
Coil quantity: 1-2 pcs
Dimension: 400*400*730mm



F98004A
立式啤酒冷冻机
外壳材质：铁喷漆或 304 不锈钢
水箱容积：33L
压缩机：1/3HP
酒管数：1-2
尺寸：400*400*620mm

Sell material:iron with painted or SS304
Water tank: 33L
Compressor: 1/3HP
Coil quantity: 1-2 pcs
Dimension: 400*400*620mm



F98005
立式啤酒冷冻机
外壳材质：铁喷漆或 304 不锈钢
水箱容积：36L
压缩机：1/2HP
酒管数：1-4
尺寸：410*450*785mm

Sell material:iron with painted or SS304
Water tank: 36L
Compressor: 1/2HP
Coil quantity: 1-4 pcs
Dimension: 410*450*785mm



F98005A
立式啤酒冷冻机

外壳材质：铁喷漆或 304 不锈钢
水箱容积：36L
压缩机：1/2HP
酒管数：1-4
尺寸：410*450*675mm

Sell material: iron with painted or SS304
Water tank: 36L
Compressor: 1/2HP
Coil quantity: 1-4 pcs
Dimension: 410*450*675mm



F98006
立式啤酒冷冻机

外壳材质：铁喷漆或 304 不锈钢
水箱容积：56L
压缩机：1HP
酒管数：1-6
尺寸：470*510*730mm

Sell material: iron with painted or SS304
Water tank: 56L
Compressor: 1HP
Coil quantity: 1-6 pcs
Dimension: 470*510*730mm



F98006A
立式啤酒冷冻机

外壳材质：铁喷漆或 304 不锈钢
水箱容积：56L
压缩机：1HP
酒管数：1-6
尺寸：470*510*645mm

Sell material: iron with painted or SS304
Water tank: 56L
Compressor: 1HP
Coil quantity: 1-6 pcs
Dimension: 470*510*645mm



啤酒塔 (beer tower)

TEL: +86-13427226829

F98A5

酒塔

材质: ABS 盖子和底座, PC 透明筒身, PP 冰管

Material: ABS lid and base, PC body, PP ice tube



啤酒塔 (beer tower)

TEL: +86-13427226829

F98A6

酒塔

材质: ABS 盖子和底座, PC 透明筒身, PP 冰管

Material: ABS lid and base, PC body, PP ice tube



F98A7

酒塔

材质: ABS 盖子和底座, PC 透明筒身, PP 冰管

Material: ABS lid and base, PC body, PP ice tube



F98A8

酒塔

材质: ABS 盖子和底座, PC 透明筒身, PP 冰管

Material: ABS lid and base, PC body, PP ice tube





F98A18
酒塔

材质：ABS 盖子和底座，PC 透明筒身
Material : ABS lid and base, PC body



F98A19
酒塔

材质：ABS 盖子和底座，PC 透明筒身
Material : ABS lid and base, PC body



F98A16
酒塔

材质：ABS 盖子和底座，PC 透明筒，不锈钢冰管
容量：3 升
Material: ABS lid and base, PC body, SS304 ice tube
Capacity: 3 liter



F98A17
酒塔

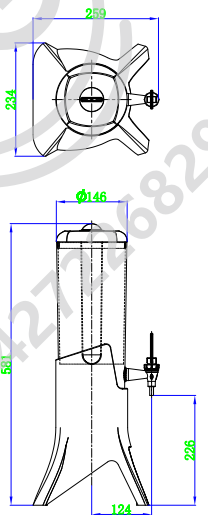
材质：ABS 盖子和底座，PC 透明筒，不锈钢冰管
容量：3 升
Material: ABS lid and base, PC body, SS304 ice tube
Capacity: 3 liter



F98A1
酒塔

材质：ABS 盖子和底座，PC 透明筒身，PP 冰管
容量：3 升
Material : ABS lid and base, PC body, PP ice tube
Capacity : 3 liter

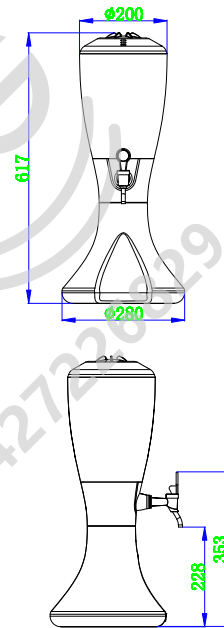
专利产品 Patent





F98A2
酒塔

材质: ABS 盖子和底座, PC 透明筒身, PP 冰管
容量: 4.2 升
Material: ABS lid and base, PC body, PP ice tube
Capacity: 4.2 liter



F98A12
酒塔

材质: ABS 盖子和底座, AS 透明筒身, PP 冰管
容量: 3 升
Material: ABS lid and base, AS body, PP ice tube
Capacity: 3 liter



F98A13
酒塔

材质: ABS 盖子和底座, AS 透明筒身, PP 冰管
容量: 3 升
Material: ABS lid and base, AS body, PP ice tube
Capacity: 3 liter



F98A10
酒塔

材质: ABS 盖子和底座, 不锈钢胆
容量: 3 升
Material: ABS lid and base, SUS304 body
Capacity: 3 liter



F98A11
酒塔

材质: ABS 盖子和底座, AS 身
容量: 2 升
Material: ABS lid and base, AS body
Capacity: 2 liter



F98A3
酒塔

材质: ABS 盖子和底座, AS 身, PP 冰管
容量: 2.5 升
Material: ABS lid and base, AS body, PP ice tube
Capacity: 2.5 liter



F98A14
酒塔

材质: ABS 盖子和底座, PC 透明筒身, PP 冰管
容量: 3 升
Material: ABS lid and base, PC body, PP ice tube
Capacity: 3 liter



F98A15
酒塔

材质: ABS 盖子和底座, PC 透明筒身, PP 冰管
容量: 3 升
Material: ABS lid and base, PC body, PP ice tube
Capacity: 3 liter



F98A4-2DR
实红色啤酒桶



F98A4-2S
实银色啤酒桶



F98A4-2LR
实红色啤酒桶



F98A4-4G
实绿色啤酒桶
专利产品 Patent



F98A4-2TG
透明绿色啤酒桶



F98A4-2G
实绿色啤酒桶



F98A4-4Y
实黄色啤酒桶



F98A6
古铜色橡木桶



F98A4-2Y
实黄色啤酒桶



F98A4-2TB
透明蓝色啤酒桶



F98A7
橡木桶



F98A8
橡木桶



F98C1
可调啤酒龙头
Tap



F98C2
啤酒龙头
Tap



F98C2-2
龙头
Beer Tap



F98C3
金色啤酒龙头
Tap



F98C4
快速啤酒龙头
Tap



F98C5
龙头
Beer Tap



F98C6
啤酒桶龙头
Tap



F98C7
啤酒塔龙头
Tap



F98C8
啤酒桶龙头
Tap



F98E1
不锈钢清洗桶
Washing keg



F98E1-2
双头不锈钢清洗桶
washing keg



F98E2
不锈钢啤酒桶
Beer keg



F98E3
不锈钢糖浆桶
Keg



F98E4
10L 二氧化碳锰钢瓶
CO2 cylinder



F98E5
12L 二氧化碳铝瓶
CO2 cylinder



F98E6
气表
CO2 regulator



F98E7
气表
CO2 regulator



F98E8
气表
CO2 regulator



F98E9
井式分流器
Dispensed head



F98E10
板式分流器
Dispensed head



F98E11
板式啤酒桶酒矛
Spear



F98E12
井式啤酒桶酒矛
Spear



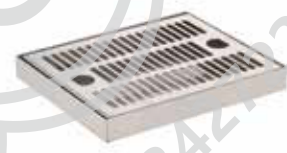
F98E13
管码
Hose clamp



F98E14
快速接头
JG fitting



F98E15
水盆及面板
Drip tray



F98E16
接酒盘
Drip tray



F98E17
洗杯盘
Class washing drip tray



F98E18
接酒盘
Drip tray



F98E19
接酒盘
Drip tray



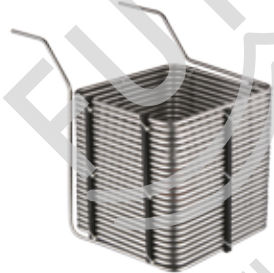
F98E20
运水马达
Agitator pump



F98E21
运水马达
Agitator pump



F98E22
胶酒管
Beer hose



F98E23
不锈钢酒管
Stainless steel beer tube



F98E24
管码钳
Hose clamp pliers



F98E25
切胶管器
Hose cutting kit



F98E26
酒柱夹
Font clamp



F98E27
CO2 表匙
Key



F98E28
龙头匙
Key



F98E29
LED 灯
LED plate



F98E30
LED 灯条
LED line



F98E31
温控器
Thermostat



F98E32
散热风扇
Ventilator



F98E33
散热风扇
Ventilator



F98E34
变压器
AC Adaptor



F98E35
龙头尾接头
Shank



F98E36
龙头接驳器
Tap connector



F98E37
龙头接驳器
Tap connector



F98E38
龙头尾牙
Shank



F98E39
龙头尾牙
Shank



F98E40
气表嘴转换器
Regulator Fitting



F98E41
接咀
Fitting



F98E42
接咀
Fitting



F98K02
柜式啤酒冷冻系统
Kegetator



F98K04
柜式啤酒冷冻系统
Kegetator



F98K03
柜式啤酒冷冻系统
Kegetator



F98G1
啤酒融合器
Beer fusion machine



F98K01
柜式冷冻机
Kegetator

尺寸可以定制 (size is customized)

TEL:+86-13427226829

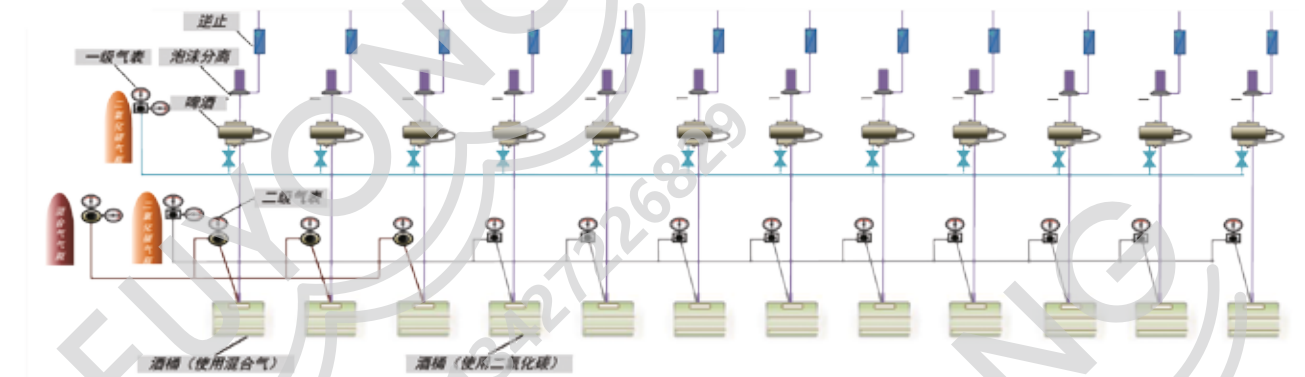
TEL:+86-13427226829



F98D1
推广柜子



F98D2
啤酒机外衣



F98D3
推广台



F98D4
推广托盘

