



佛山市翰斯建材有限公司

办事处地址: 佛山市石湾榴苑路18号C座5楼  
工厂地址: 广东省佛山市禅城区南庄镇罗南高墩工业区  
电话: 0086-757-82725860  
传真: 0086-757-83610012  
邮编: 528031  
邮箱: info@fshanse.com

**Foshan Hanse Industrial Co.,LTD**

Office:18 liuyuan Road Shiwan Foshan Guangdong China  
Factory:Luonan Gaodun Zone,Nan Zhuang Town,Foshan City,Guangdong Province,China  
Website:www.hanse.net.cn  
fshanse.en.alibaba.com  
www.hansebath.com  
E-mail:info@fshanse.com  
Tel:0086-757-82725860  
Fax:0086-757-83610012

IMPORTANT:  
1. These measurements are subject to change or cancellation.No responsibility is assumed for use of superseded or voided pages.  
2. Due to the printing process,the colors of the actual products may differ from those pictures.For true color matching purposes,please refer to sanitaryware chip color samples.

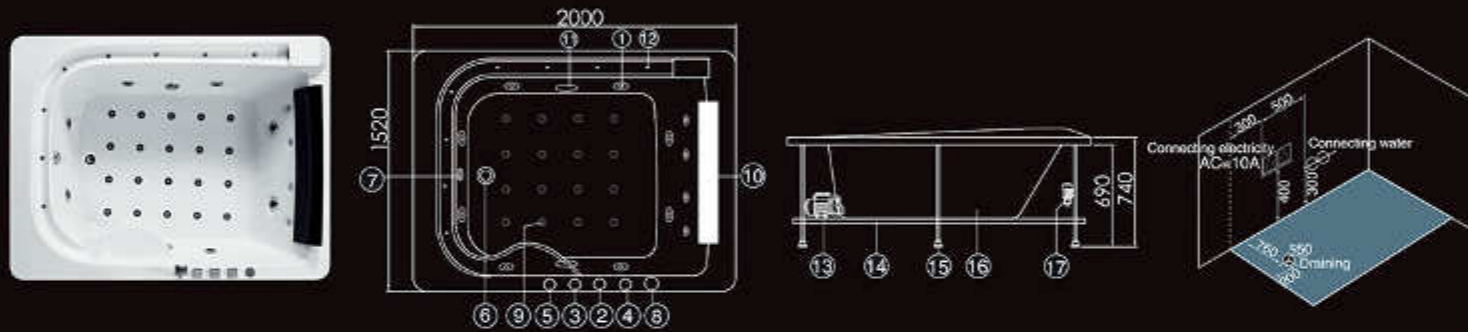


**hanse**

**Model:HS-BC666**  
**Size:2000 × 1520 × 800mm**  
**Main devices**

- |   |                           |
|---|---------------------------|
| ① Massage Jet                           | ⑩ Pillow                  |
| ② Function Changer Switch               | ⑪ Water Suction Device    |
| ③ Cold Water Control                    | ⑫ LED Light               |
| ④ Hot Water Control                     | ⑬ Water Pump              |
| ⑤ Multifunctional Shower Head           | ⑭ Stainless Steel Bracket |
| ⑥ Drainer                               | ⑮ Adjusting Screw         |
| ⑦ Draining Switch                       | ⑯ Acrylic Bathtub         |
| ⑧ Computerized Control Panel            | ⑰ Air Pump                |
| ⑨ Bubble Bath With LED Multicolor Light |                           |

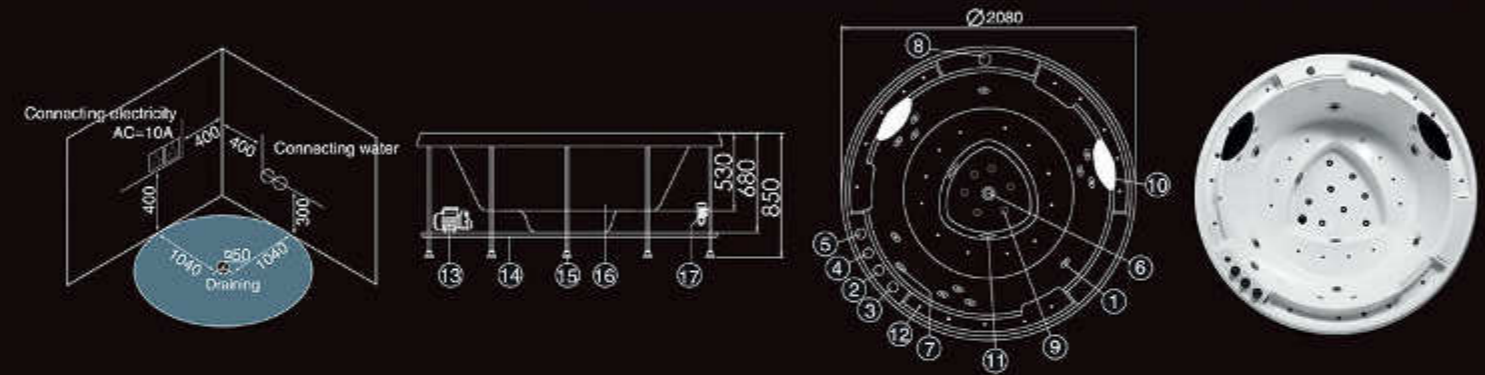
Power Rating Of Water Pump: 1HP  
 Compatible Electricity Standard: 110V/220V, 50Hz/60Hz



**Model:HS-BC664**  
**Size:2080 × 2080 × 840mm**  
**Main devices**

- |   |                           |
|---|---------------------------|
| ① Massage Jet                           | ⑩ Pillow                  |
| ② Function Changer Switch               | ⑪ Water Suction Device    |
| ③ Cold Water Control                    | ⑫ LED Light               |
| ④ Hot Water Control                     | ⑬ Water Pump              |
| ⑤ Multifunctional Shower Head           | ⑭ Stainless Steel Bracket |
| ⑥ Drainer                               | ⑮ Adjusting Screw         |
| ⑦ Draining Switch                       | ⑯ Acrylic Bathtub         |
| ⑧ Computerized Control Panel            | ⑰ Air Pump                |
| ⑨ Bubble Bath With LED Multicolor Light |                           |

Power Rating Of Water Pump: 1HP  
 Compatible Electricity Standard: 110V/220V, 50Hz/60Hz

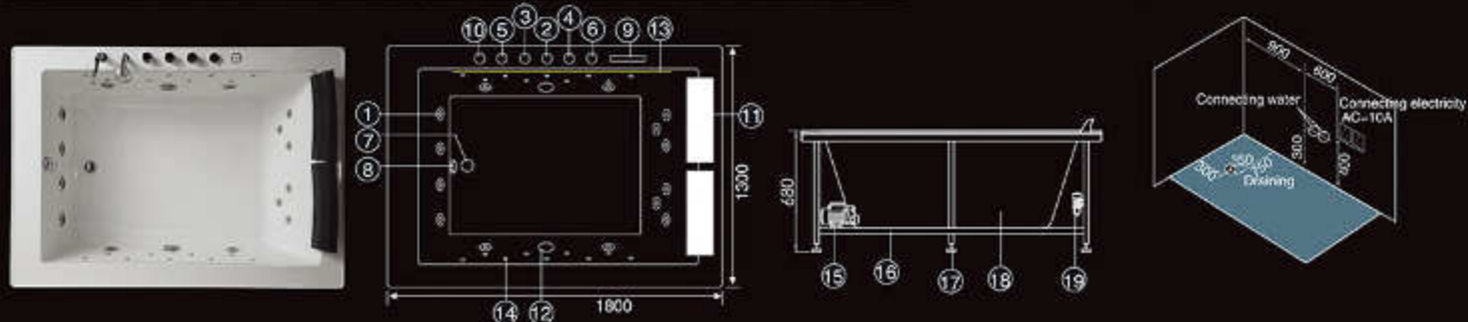


**Main devices**

- |                                 |                           |
|---------------------------------|---------------------------|
| ① Massage Jet                   | ⑪ Pillow                  |
| ② Function Changer Switch       | ⑫ Water Suction Device    |
| ③ Cold Water Control            | ⑬ Waterfall               |
| ④ Hot Water Control             | ⑭ LED Light               |
| ⑤ Multifunctional Shower Head   | ⑮ Water Pump              |
| ⑥ Water Force Adjustment Switch | ⑯ Stainless Steel Bracket |
| ⑦ Drainer                       | ⑰ Adjusting Screw         |
| ⑧ Draining Switch               | ⑱ Acrylic Bathtub         |
| ⑨ Computerized Control Panel    | ⑲ Air Pump                |
| ⑩ Water fall                    |                           |

Power Rating Of Water Pump: 1HP  
 Compatible Electricity Standard: 110V/220V, 50Hz/60Hz

**Model:HS-D015**  
**Size:1800 × 1300 × 750mm**

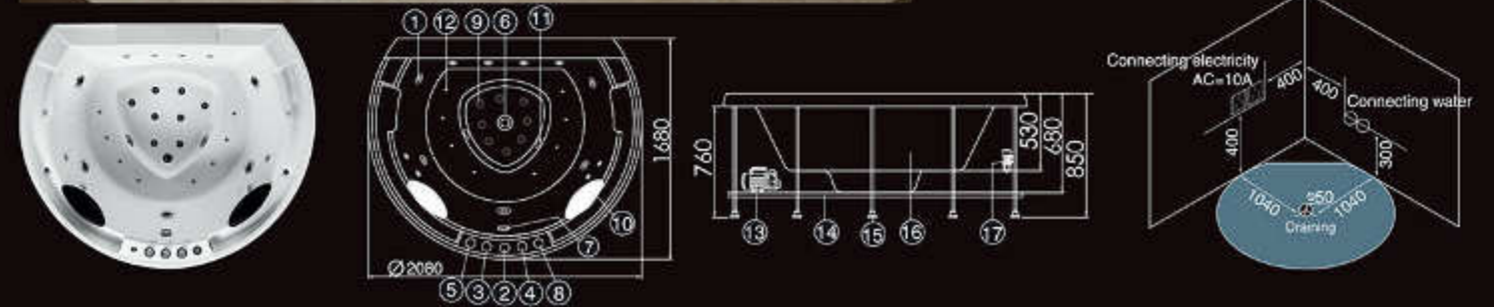


**Main devices**

- |   |                           |
|---|---------------------------|
| ① Massage Jet                           | ⑩ Pillow                  |
| ② Function Changer Switch               | ⑪ Water Suction Device    |
| ③ Cold Water Control                    | ⑫ LED Light               |
| ④ Hot Water Control                     | ⑬ Water Pump              |
| ⑤ Multifunctional Shower Head           | ⑭ Stainless Steel Bracket |
| ⑥ Drainer                               | ⑮ Adjusting Screw         |
| ⑦ Draining Switch                       | ⑯ Acrylic Bathtub         |
| ⑧ Computerized Control Panel            | ⑰ Air Pump                |
| ⑨ Bubble Bath With LED Multicolor Light |                           |

Power Rating Of Water Pump: 1HP  
 Compatible Electricity Standard: 110V/220V, 50Hz/60Hz

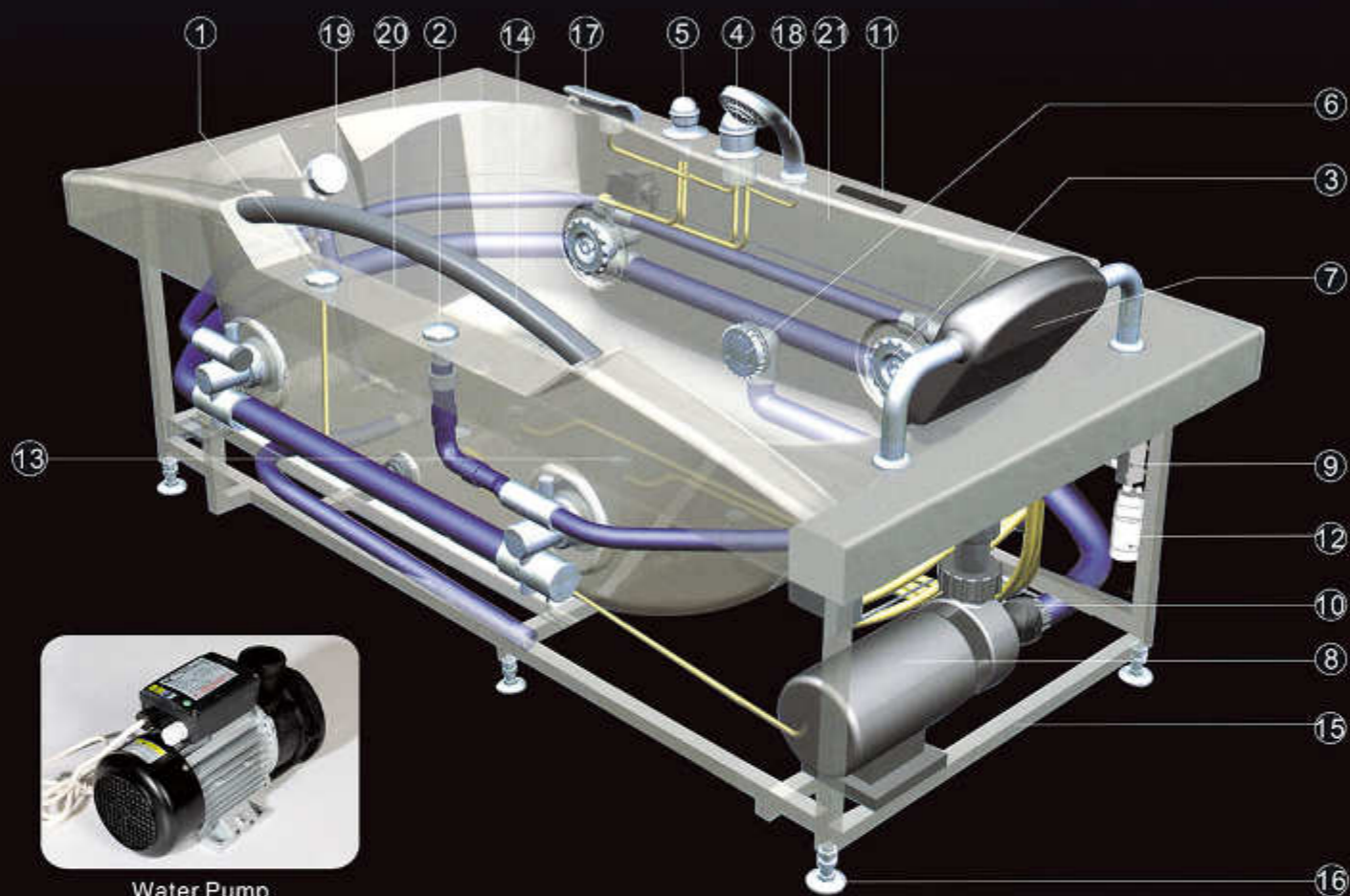
**Model:HS-BC665**  
**Size:2080 × 1680 × 840mm**



■ Like master artists: Stable, but not lack of flexible,  
imposing manner, but not lack of elegance, free and easy, sagacity is  
deducted thereby.



## Inside structural diagram



Water Pump

- ① Air switch: Connects power of motor on pneumatic theory.
- ② Water force adjustment switch: Adjust the power of massage.
- ③ Massage Jet: Turn on the switch and you will get extreme waves and tides. The powerful water flow is suitable for traditional water force massage and large area body massage, can provide energetic massage to the body, especially.
- ④ Switch: Use it to change water intake from one side to the other, i.e. from shower head to waterfall or from waterfall to shower head.
- ⑤ Cold/hot water control: Capable of adjusting for ideal intake water temperature
- ⑥ Water suction device: Specially providing circulation power for water force massage.
- ⑦ Embedded ergonomic pillow.
- ⑧ Water Pump: Specially providing great power for various massage nozzles.
- ⑨ Ozone generator: To supply ozone disinfection for the massage bathtub.
- ⑩ Constant temperature heater. As the temperature of water in the bathtub may vary as pass of time, rising or falling significant with the change of season, the massage bathtub is developed with a device to keep the constant temperature of water in the bathtub. The temperature of water may be preset according to the need of user, to allow user to enjoy the fun of bathing with constant temperature by the following two methods: auto heating if the temperature of water in the bathtub is lower than the preset temperature auto switch-off if the temperature of water is higher than the present temperature.
- ⑪ Computer control panel: Luxurious enjoyment of bathing with LCD screen displaying the working condition, function and operation of the massage bathtub, allowing you to fully enjoy the hydraulic massage and entertainment functions.
- ⑫ Air pump: A power supply for the bubble massage shower.
- ⑬ Bubble nozzle: The air pump produces a powerful air blowing into the massage bathtub through the bubble nozzles, bringing you fashion and free enjoyment bubble shower.
- ⑭ Stainless steel armrest: antirust, anti-corrosion
- ⑮ Stainless steel bracket: antirust, anti-corrosion
- ⑯ Adjusting Screw: Adjusted the tub to an equilibrium position
- ⑰ Waterfall
- ⑱ Multifunctional Shower Head
- ⑲ Draining switch
- ⑳ Drainer
- ㉑ Acrylic Bathtub

## Product configuration

- ▲ Adopts LX brand motor, with low noise, high power and with repair rate lower than 2‰;
- ▲ LCD TVs are customized with our own molds, with novel and unique style, belonging to top level;
- ▲ All passing CE, ROHS certification, the steam room and integral shower room computer control systems fully solve such technical problems as poor radio receiving in some areas;
- ▲ Electrical parts (common shower room control panel, steam generator, motor): different power supply plugs, input voltage and electrical devices with different frequencies can be chosen according to different areas and countries; motor, steam generator are available in 110V and 220V, and motor plugs are in 6 types (see attached pictures: Motor plugs);
- ▲ Surfing tub computer controls for 4 types of surfing (circulating, pulsating, massage and common), increasing joy of leisure life;
- ▲ Bubble bath includes common bubble bath and color-lamp bubble bath. Color lamp bubble bath can better represent romantic passion of the city;
- ▲ Automobile windshield level FRP, absolutely safe and reliable, with more choices of patterns and crafts;
- ▲ In the same-quality and same-price era, Our factory products are more attractive in pricing; among manufacturers of the same scale and quality, Our factory is more advantageous in pricing.

## Some frequently asked questions and answers

1. How to discriminate left apron from right apron?  
Answer: To discriminate bathtub direction: When lying in the tub in correct direction, if the apron is on the left hand side, it is left apron; if the apron is on the right hand side, it is right apron. To discriminate room direction: use the seat in the base tub to discriminate left apron from right apron—when sitting in the base tub in correct direction, if the apron is on the left hand side, it is left apron; if the apron is on the right hand side, it is right apron (discriminate a tub according to the pillow; discriminate a room according to the seat). Customer can freely choose product of proper direction for convenience of layout.
2. How to discriminate glossy and sand silver?  
Answer: Glossy silver aluminum profiles have been polished, bright like stainless steel; sand silver is of spray coating treatment, with handfeel of fine sand.
3. What kind of room base tub can have massage tub added?  
Answer: Tall tub 1.2m long or longer can have massage function added.
4. What is called integral shower room? What is called steam room?  
Answer: A common acrylic shower room with top shower, ceiling lamp, radio, back massage, cold/hot water adjustment switch is called integral shower room; rooms with added steam function are called steam rooms.
5. What is called bathtub with fittings? What is called massage bathtub?  
Answer: A bathtub with cold/hot water switch, shower, waterfall and hand-switch or pedal drainer is called bathtub with fittings; based on these comprehensive functions, motor, air switch and surfing adjustment are added to form a massage bathtub.
6. What elements can be added to a massage tub?  
Answer: For a common massage tub, computer control can be added to make its functions more comprehensive and powerful; bubble bath or color lamp bubble bath can be added to offer more choices and make it more romantic; constant-temperature device, LCD TV and DVD, etc. can be added for noble enjoyment.
7. What are patterns on the glass?  
Answer: Patterns can be screen printed on glass (patterns can be freely selected according to pictures).
8. How to deal with water leakage?  
Answer: For leakage at massage tub bottom caused by long-distance transportation or other factors, please carefully check the leakage position, generally nozzle or PVC tube connection point. If it is a nozzle leakage, take off the nozzle, apply glass cement again, wait for 24 hours for complete melting; if it is a tube leakage, apply 502 glue into the gap and wait for complete hardening before using; for room body installation, apply glass cement at the contact of aluminum profile and acrylic sheet to prevent leakage.
9. How to deal with fault of computer controller or motor?  
Answer: First check the power supply, power supply plug and leakage protection switch. If power failure is caused by wet plug, you can use a dryer to blow it dry, press the leakage protection switch; for other faults occurring within one year from date of purchase, the factory will offer free replacement service, and expenses will be charged after the one-year warranty expires.
10. Which type used for motor and steam generation?  
Answer: Plugs used by motor and steam generator are generally classified into 6 types: American plug, British plug, European plug, South African plug, Australia plug and Chinese plug with English (see attached pictures):



**Note: When placing an order, make sure to specify plug and voltage of motor and steam generator.**



**Model: HS-B201 (left/right)**  
**Size: 1500 x 1000 x 650mm**

**Main devices**

- |   |                           |
|---|---------------------------|
| ① Massage Jet                           | ⑩ Drainer                 |
| ② Function Changer Switch               | ⑪ Draining switch         |
| ③ Cold Water Control                    | ⑫ Waterfall               |
| ④ Hot Water Control                     | ⑬ Water Pump              |
| ⑤ Multifunctional Shower Head           | ⑭ Stainless Steel Bracket |
| ⑥ Air Switch                            | ⑮ Adjusting Screw         |
| ⑦ Water Force Adjustment Switch         | ⑯ Acrylic Bathtub         |
| ⑧ Water Suction Device                  | ⑰ Acrylic Apron           |
| ⑨ Pillow                                | ⑱ Shower Hoses            |
| ⑲ Bubble Bath With LED Multicolor Light |                           |

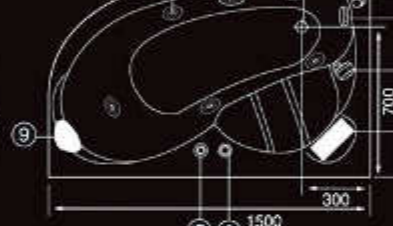
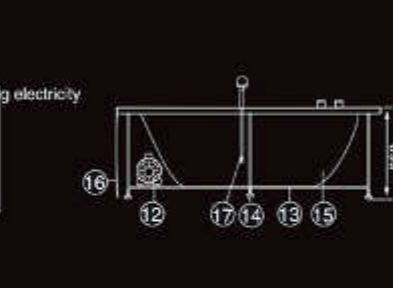
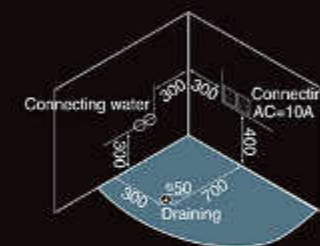
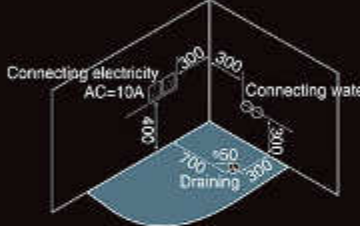
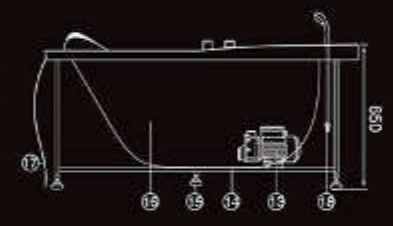
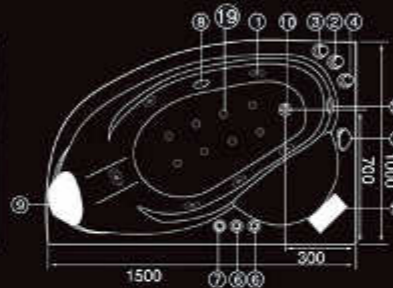
Power Rating Of Water Pump: 1HP  
 Compatible Electricity Standard: 110V/220V, 50Hz/60Hz

**Model: HS-B201B**  
**Size: 1500 x 1000 x 650mm**

**Main devices**

- |                                 |                           |
|---------------------------------|---------------------------|
| ① Massage Jet                   | ⑩ Water Suction Device    |
| ② Function Changer Switch       | ⑪ Waterfall               |
| ③ Cold / Hot Water Control      | ⑫ Water Pump              |
| ④ Multifunctional Shower Head   | ⑬ Stainless Steel Bracket |
| ⑤ Air Switch                    | ⑭ Adjusting Screw         |
| ⑥ Water Force Adjustment Switch | ⑮ Acrylic Bathtub         |
| ⑦ Drainer                       | ⑯ Acrylic Apron           |
| ⑧ Draining Switch               | ⑰ Shower Hoses            |
| ⑨ Pillow                        |                           |

Power Rating Of Water Pump: 1HP  
 Compatible Electricity Standard: 110V/220V, 50Hz/60Hz



**Main devices**

- |                               |   |
|-------------------------------|---|
| ① Massage Jet                 | ⑩ Drainer                               |
| ② Function Changer Switch     | ⑪ Waterfall                             |
| ③ Cold Water Control          | ⑫ Computerized Control Panel            |
| ④ Hot Water Control           | ⑬ Bubble Bath With LED Multicolor Light |
| ⑤ Multifunctional Shower Head | ⑭ Water Pump                            |
| ⑥ Air Switch                  | ⑮ Stainless Steel Bracket               |
| ⑦ Decorative Tempered Glass   | ⑯ Adjusting Screw                       |
| ⑧ Water Suction Device        | ⑰ Acrylic Bathtub                       |
| ⑨ Pillow                      | ⑱ Acrylic Apron                         |
|                               | ⑲ Shower Hoses                          |

Power Rating Of Water Pump: 1HP  
 Compatible Electricity Standard: 110V/220V, 50Hz/60Hz

**Model: HS-B201A**  
**Size: 1500 x 1000 x 650mm**

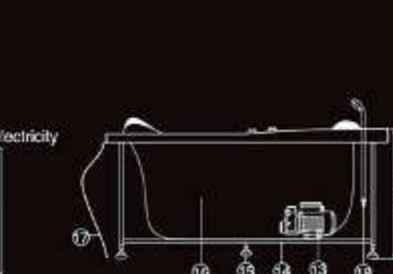
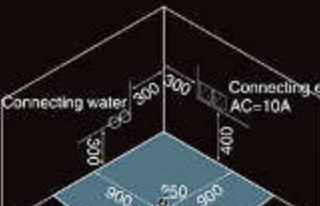
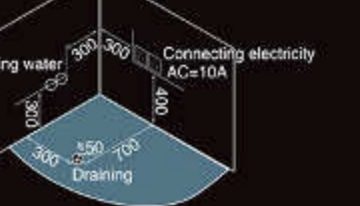
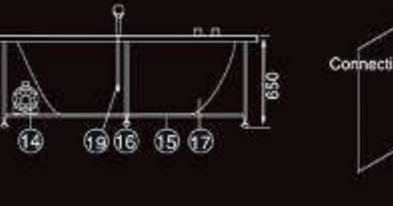
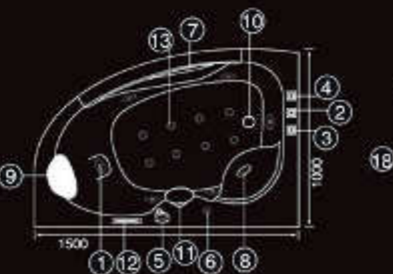


**Main devices**

- |                                 |                           |
|---------------------------------|---------------------------|
| ① Massage Jet                   | ⑩ Drainer                 |
| ② Function Changer Switch       | ⑪ Draining switch         |
| ③ Cold Water Control            | ⑫ Waterfall               |
| ④ Hot Water Control             | ⑬ Water Pump              |
| ⑤ Multifunctional Shower Head   | ⑭ Stainless Steel Bracket |
| ⑥ Air Switch                    | ⑮ Adjusting Screw         |
| ⑦ Water Force Adjustment Switch | ⑯ Acrylic Bathtub         |
| ⑧ Water Suction Device          | ⑰ Acrylic Apron           |
| ⑨ Pillow                        | ⑱ Shower Hoses            |

Power Rating Of Water Pump: 1HP  
 Compatible Electricity Standard: 110V/220V, 50Hz/60Hz

**Model: HS-B202A**  
**Size: 1480 x 1480 x 750mm**





**Model: HS-B202B**  
**Size: 1350 x 1350 x 700mm**

**Main devices**

- |                                 |                           |
|---------------------------------|---------------------------|
| ① Massage Jet                   | ⑩ Drainer                 |
| ② Function Changer Switch       | ⑪ Draining switch         |
| ③ Cold Water Control            | ⑫ Waterfall               |
| ④ Hot Water Control             | ⑬ Water Pump              |
| ⑤ Multifunctional Shower Head   | ⑭ Stainless Steel Bracket |
| ⑥ Air Switch                    | ⑮ Adjusting Screw         |
| ⑦ Water Force Adjustment Switch | ⑯ Acrylic Bathtub         |
| ⑧ Water Suction Device          | ⑰ Acrylic Apron           |
| ⑨ Pillow                        | ⑱ Shower Hoses            |

Power Rating Of Water Pump: 1HP  
 Compatible Electricity Standard: 110V/220V, 50Hz/60Hz

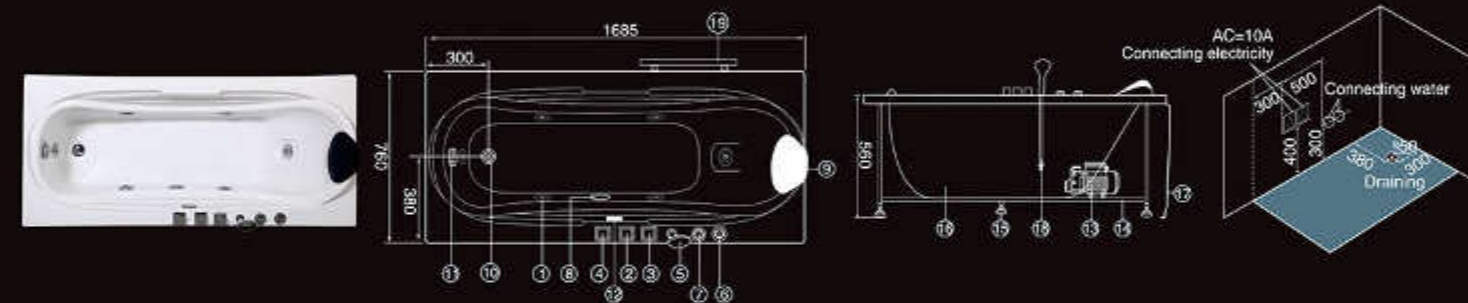
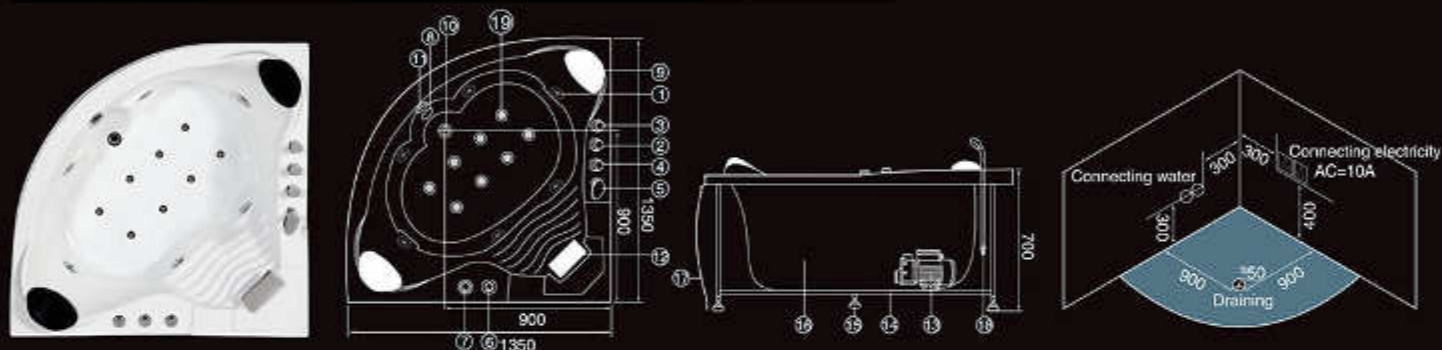


**Model: HS-B205 (left/right)**  
**Size: 1685 x 760 x 560mm**

**Main devices**

- |                                 |                              |
|---------------------------------|------------------------------|
| ① Massage Jet                   | ⑩ Drainer                    |
| ② Function Changer Switch       | ⑪ Draining switch            |
| ③ Cold Water Control            | ⑫ Waterfall                  |
| ④ Hot Water Control             | ⑬ Water Pump                 |
| ⑤ Multifunctional Shower Head   | ⑭ Stainless Steel Bracket    |
| ⑥ Air Switch                    | ⑮ Adjusting Screw            |
| ⑦ Water Force Adjustment Switch | ⑯ Acrylic Bathtub            |
| ⑧ Water Suction Device          | ⑰ Acrylic Apron              |
| ⑨ Pillow                        | ⑱ Shower Hoses               |
|                                 | ⑲ Stainless Steel Towel Rail |

Power Rating Of Water Pump: 1HP  
 Compatible Electricity Standard: 110V/220V, 50Hz/60Hz

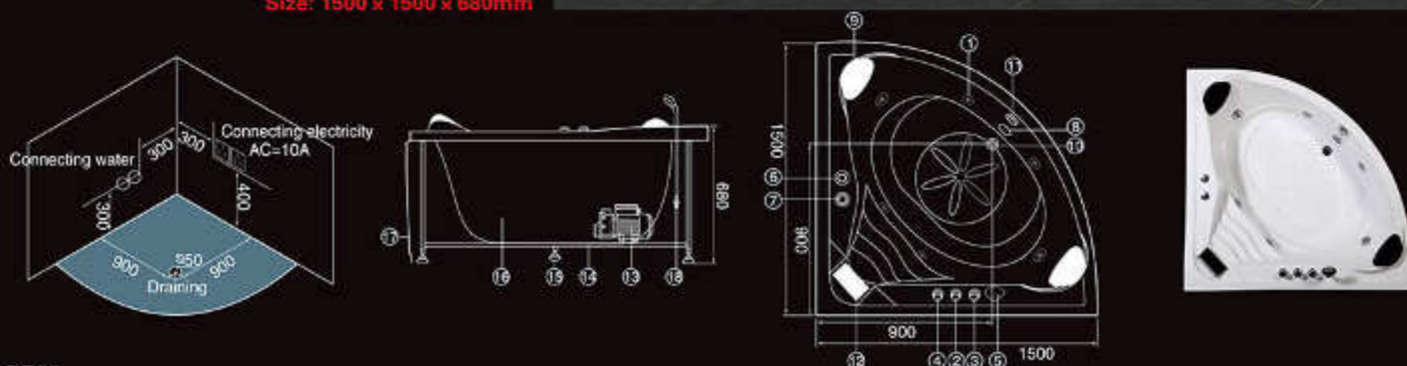


**Main devices**

- |                                 |                           |
|---------------------------------|---------------------------|
| ① Massage Jet                   | ⑩ Drainer                 |
| ② Function Changer Switch       | ⑪ Draining switch         |
| ③ Cold Water Control            | ⑫ Waterfall               |
| ④ Hot Water Control             | ⑬ Water Pump              |
| ⑤ Multifunctional Shower Head   | ⑭ Stainless Steel Bracket |
| ⑥ Air Switch                    | ⑮ Adjusting Screw         |
| ⑦ Water Force Adjustment Switch | ⑯ Acrylic Bathtub         |
| ⑧ Water Suction Device          | ⑰ Acrylic Apron           |
| ⑨ Pillow                        | ⑱ Shower Hoses            |

Power Rating Of Water Pump: 1HP  
 Compatible Electricity Standard: 110V/220V, 50Hz/60Hz

**Model: HS-B203**  
**Size: 1500 x 1500 x 680mm**

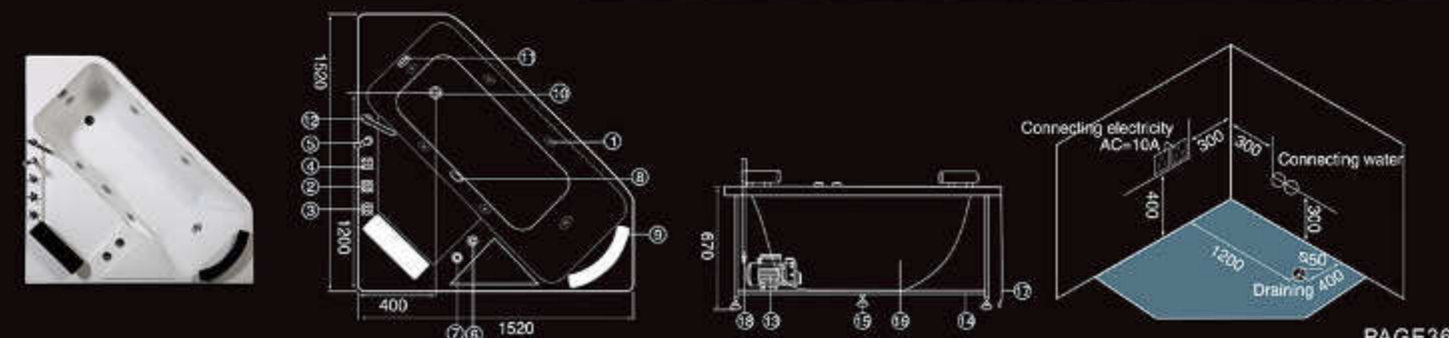


**Main devices**

- |                                 |                           |
|---------------------------------|---------------------------|
| ① Massage Jet                   | ⑩ Drainer                 |
| ② Function Changer Switch       | ⑪ Draining switch         |
| ③ Cold Water Control            | ⑫ Waterfall               |
| ④ Hot Water Control             | ⑬ Water Pump              |
| ⑤ Multifunctional Shower Head   | ⑭ Stainless Steel Bracket |
| ⑥ Air Switch                    | ⑮ Adjusting Screw         |
| ⑦ Water Force Adjustment Switch | ⑯ Acrylic Bathtub         |
| ⑧ Water Suction Device          | ⑰ Acrylic Apron           |
| ⑨ Pillow                        | ⑱ Shower Hoses            |

Power Rating Of Water Pump: 1HP  
 Compatible Electricity Standard: 110V/220V, 50Hz/60Hz

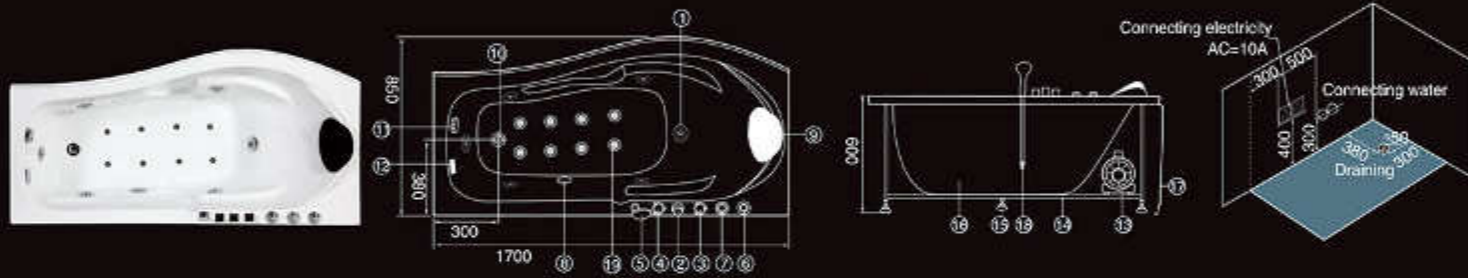
**Model: HS-B206**  
**Size: 1520 x 1520 x 670mm**



**Model: HS-B207 (left/right)**  
**Size: 1700 × 850 × 600mm**  
**1500 × 800 × 600mm**

**Main devices**

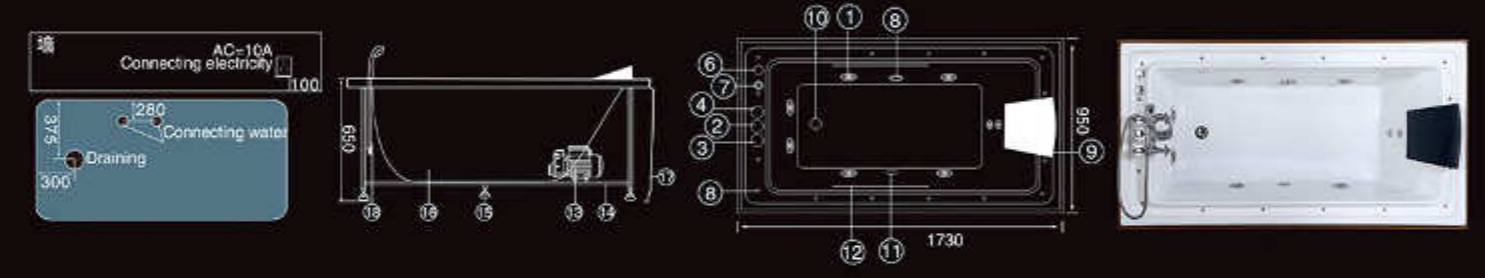
- |                                 |                           |
|---------------------------------|---------------------------|
| ① Massage Jet                   | ⑩ Drainer                 |
| ② Function Changer Switch       | ⑪ Draining switch         |
| ③ Cold Water Control            | ⑫ Waterfall               |
| ④ Hot Water Control             | ⑬ Water Pump              |
| ⑤ Multifunctional Shower Head   | ⑭ Stainless Steel Bracket |
| ⑥ Air Switch                    | ⑮ Adjusting Screw         |
| ⑦ Water Force Adjustment Switch | ⑯ Acrylic Bathtub         |
| ⑧ Water Suction Device          | ⑰ Acrylic Apron           |
| ⑨ Pillow                        | ⑱ Shower Hoses            |
- ⑲ Bubble Bath With LED Multicolor Light
- Power Rating Of Water Pump: 1HP  
 Compatible Electricity Standard: 110V/220V, 50Hz/60Hz



**Model: HS-B209**  
**Size: 1730 × 950 × 650mm**

**Main devices**

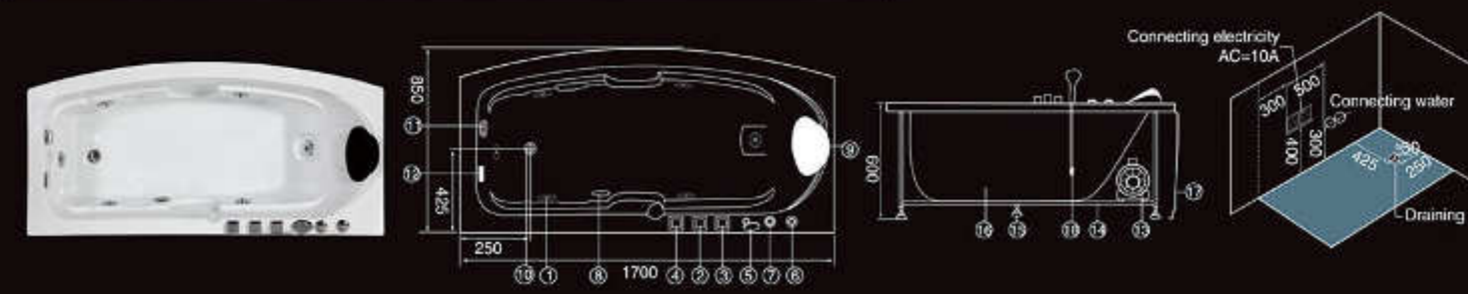
- |                                 |                           |
|---------------------------------|---------------------------|
| ① Massage Jet                   | ⑩ Drainer                 |
| ② Function Changer Switch       | ⑪ LED Multicolor Light    |
| ③ Cold Water Control            | ⑫ Waterfall               |
| ④ Hot Water Control             | ⑬ Water Pump              |
| ⑤ Multifunctional Shower Head   | ⑭ Stainless Steel Bracket |
| ⑥ Air Switch                    | ⑮ Adjusting Screw         |
| ⑦ Water Force Adjustment Switch | ⑯ Acrylic Bathtub         |
| ⑧ Water Suction Device          | ⑰ Solid Wood Apron        |
| ⑨ Pillow                        | ⑱ Shower Hoses            |
- Power Rating Of Water Pump: 1HP  
 Compatible Electricity Standard: 110V/220V, 50Hz/60Hz



**Main devices**

- |                                 |                           |
|---------------------------------|---------------------------|
| ① Massage Jet                   | ⑩ Drainer                 |
| ② Function Changer Switch       | ⑪ Draining switch         |
| ③ Cold Water Control            | ⑫ Waterfall               |
| ④ Hot Water Control             | ⑬ Water Pump              |
| ⑤ Multifunctional Shower Head   | ⑭ Stainless Steel Bracket |
| ⑥ Air Switch                    | ⑮ Adjusting Screw         |
| ⑦ Water Force Adjustment Switch | ⑯ Acrylic Bathtub         |
| ⑧ Water Suction Device          | ⑰ Acrylic Apron           |
| ⑨ Pillow                        | ⑱ Shower Hoses            |
- Power Rating Of Water Pump: 1HP  
 Compatible Electricity Standard: 110V/220V, 50Hz/60Hz

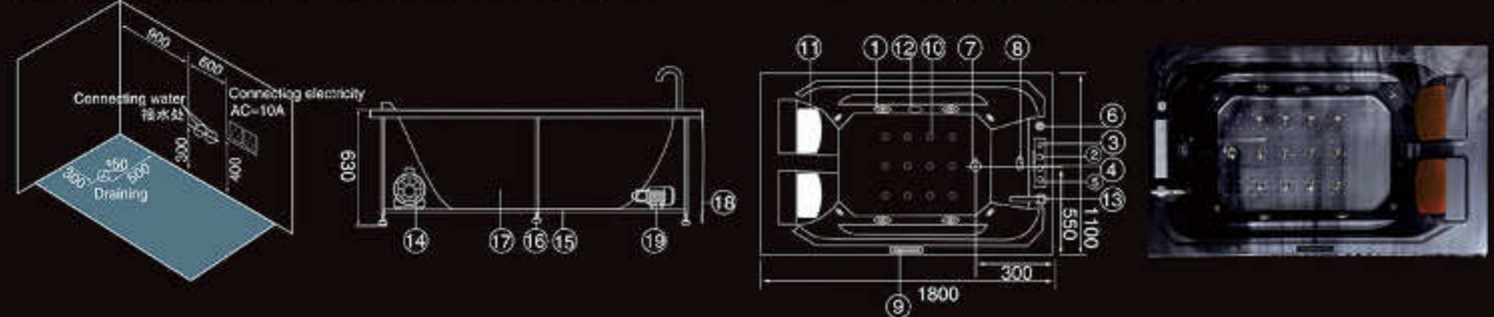
**Model: HS-B208 (left/right)**  
**Size: 1700 × 850 × 600mm**



**Main devices**

- |   |                           |
|---|---------------------------|
| ① Massage Jet                           | ⑪ Pillow                  |
| ② Function Changer Switch               | ⑫ Water Suction Device    |
| ③ Cold Water Control                    | ⑬ Water Fall              |
| ④ Hot Water Control                     | ⑭ Water Pump              |
| ⑤ Multifunctional Shower Head           | ⑮ Stainless Steel Bracket |
| ⑥ Water Force Adjustment Switch         | ⑯ Adjusting Screw         |
| ⑦ Drainer                               | ⑰ Acrylic Bathtub         |
| ⑧ Draining Switch                       | ⑱ Acrylic Apron           |
| ⑨ Computerized Control Panel            | ⑲ Air Pump                |
| ⑩ Bubble Bath With LED Multicolor Light |                           |
- Power Rating Of Water Pump: 1HP  
 Compatible Electricity Standard: 110V/220V, 50Hz/60Hz

**Model: HS-B210**  
**Size: 1800 × 1100 × 630mm**

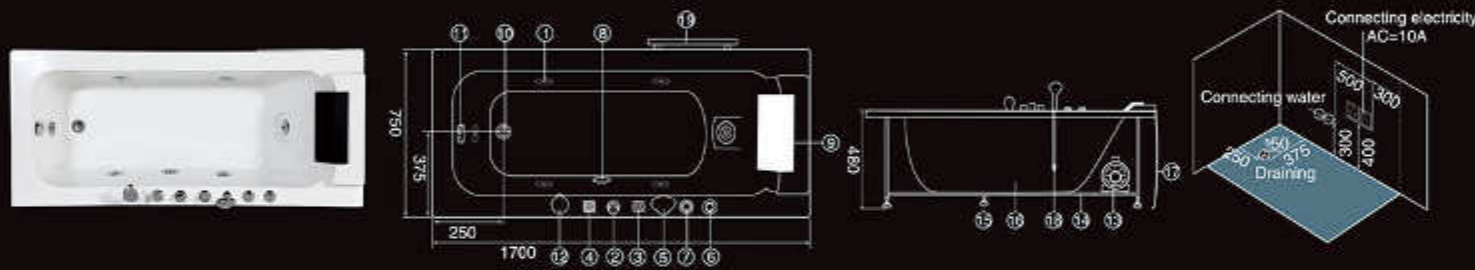


**Main devices**

- ① Massage Jet
- ② Function Changer Switch
- ③ Cold Water Control
- ④ Hot Water Control
- ⑤ Multifunctional Shower Head
- ⑥ Air Switch
- ⑦ Water Force Adjustment Switch
- ⑧ Water Suction Device
- ⑨ Pillow
- ⑩ Drainer
- ⑪ Draining switch
- ⑫ Waterfall
- ⑬ Water Pump
- ⑭ Stainless Steel Bracket
- ⑮ Adjusting Screw
- ⑯ Acrylic Bathtub
- ⑰ Acrylic Apron
- ⑱ Shower Hoses
- ⑲ Stainless Steel Towel Rail

Power Rating Of Water Pump: 1HP  
Compatible Electricity Standard: 110V/220V, 50Hz/60Hz

**Model: HS-B211 (left/right)**  
**Size: 1700 x 750 x 620mm**

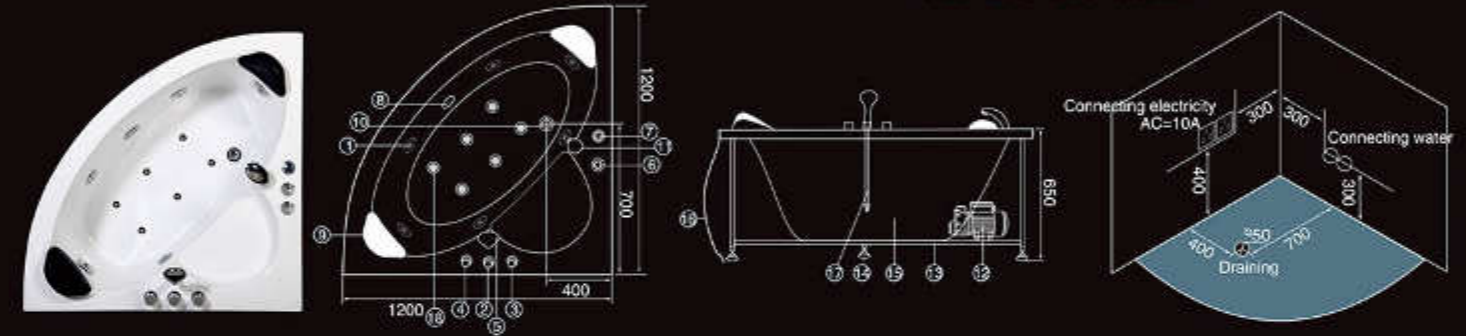


**Main devices**

- ① Massage Jet
- ② Function Changer Switch
- ③ Cold Water Control
- ④ Hot Water Control
- ⑤ Multifunctional Shower Head
- ⑥ Air Switch
- ⑦ Water Force Adjustment Switch
- ⑧ Water Suction Device
- ⑨ Pillow
- ⑩ Drainer
- ⑪ Waterfall
- ⑫ Water Pump
- ⑬ Stainless Steel Bracket
- ⑭ Adjusting Screw
- ⑮ Acrylic Bathtub
- ⑯ Acrylic Apron
- ⑰ Shower Hoses
- ⑱ Bubble Bath With LED Multicolor Light

Power Rating Of Water Pump: 1HP  
Compatible Electricity Standard: 110V/220V, 50Hz/60Hz

**Model: HS-B215**  
**Size: 1200 x 1200 x 650mm**

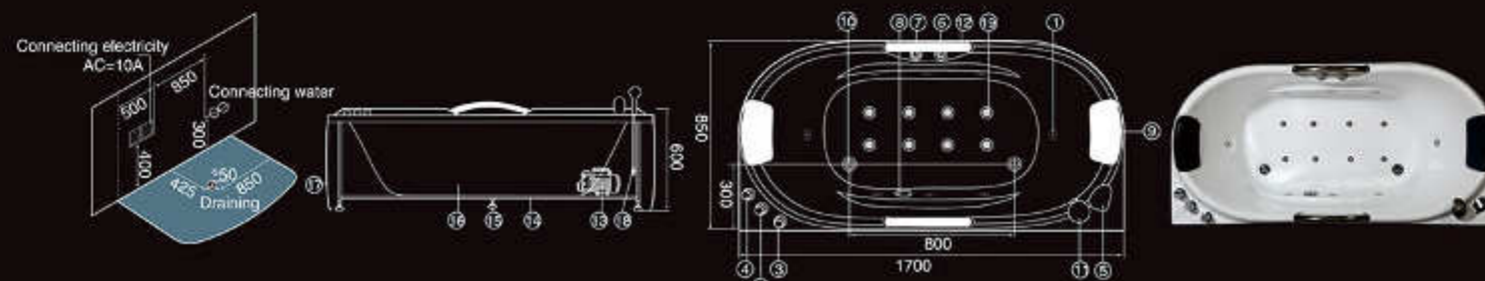


**Main devices**

- ① Massage Jet
- ② Function Changer Switch
- ③ Cold Water Control
- ④ Hot Water Control
- ⑤ Multifunctional Shower Head
- ⑥ Air Switch
- ⑦ Water Force Adjustment Switch
- ⑧ Water Suction Device
- ⑨ Pillow
- ⑩ Drainer
- ⑪ Waterfall
- ⑫ Stainless Steel Armrest
- ⑬ Water Pump
- ⑭ Stainless Steel Bracket
- ⑮ Adjusting Screw
- ⑯ Acrylic Bathtub
- ⑰ Acrylic Apron
- ⑱ Shower Hoses
- ⑲ Bubble Bath With LED Multicolor Light

Power Rating Of Water Pump: 1HP  
Compatible Electricity Standard: 110V/220V, 50Hz/60Hz

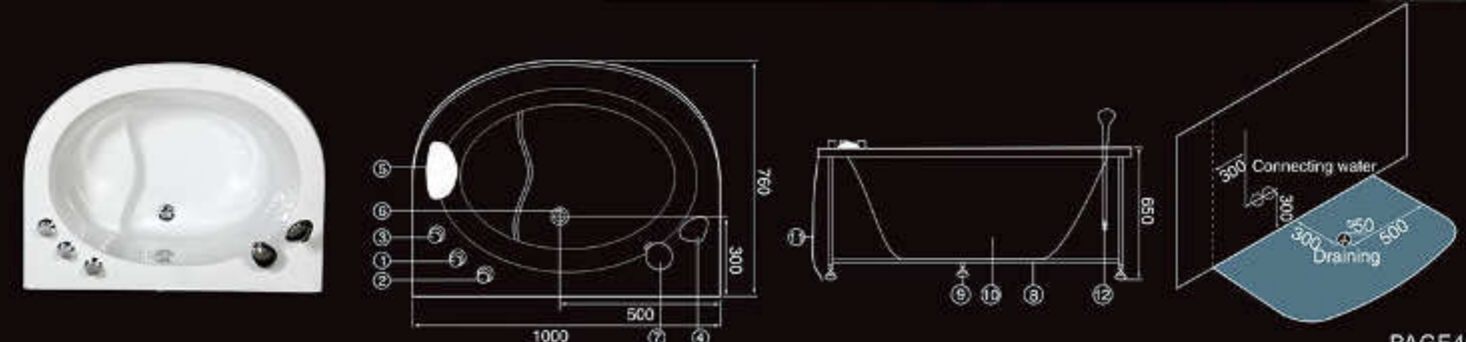
**Model: HS-B212**  
**Size: 1700 x 850 x 600mm**



**Main devices**

- ① Function Changer Switch
- ② Cold Water Control
- ③ Hot Water Control
- ④ Multifunctional Shower Head
- ⑤ Pillow
- ⑥ Drainer
- ⑦ Waterfall
- ⑧ Stainless Steel Bracket
- ⑨ Adjusting Screw
- ⑩ Acrylic Bathtub
- ⑪ Acrylic Apron
- ⑫ Shower Hoses

**Model: HS-B216**  
**Size: 1000 x 760 x 660mm**





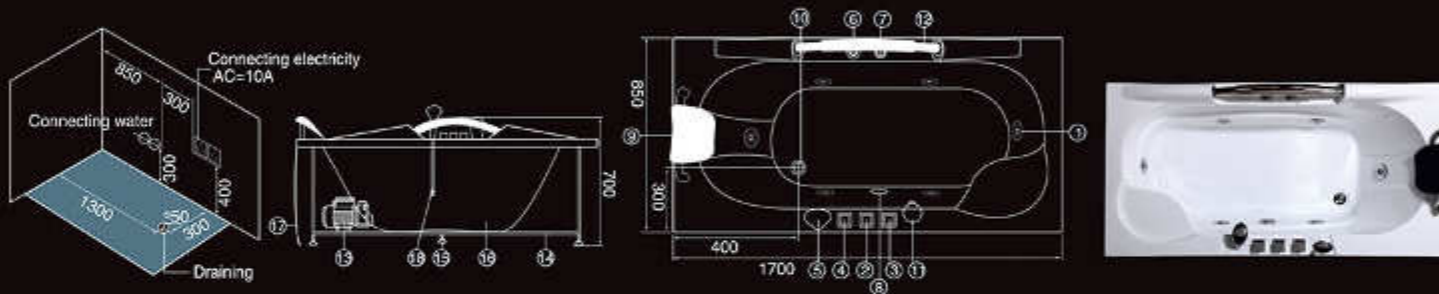


**Model: HS-B217 (left/right)**  
**Size: 1700 x 850 x 700mm**

**Main devices**

- |                                 |                           |
|---------------------------------|---------------------------|
| ① Massage Jet                   | ⑩ Drainer                 |
| ② Function Changer Switch       | ⑪ Waterfall               |
| ③ Cold Water Control            | ⑫ Stainless Steel Armrest |
| ④ Hot Water Control             | ⑬ Water Pump              |
| ⑤ Multifunctional Shower Head   | ⑭ Stainless Steel Bracket |
| ⑥ Air Switch                    | ⑮ Adjusting Screw         |
| ⑦ Water Force Adjustment Switch | ⑯ Acrylic Bathtub         |
| ⑧ Water Suction Device          | ⑰ Acrylic Apron           |
| ⑨ Pillow                        | ⑱ Shower Hoses            |

Power Rating Of Water Pump: 1HP  
 Compatible Electricity Standard: 110V/220V, 50Hz/60Hz

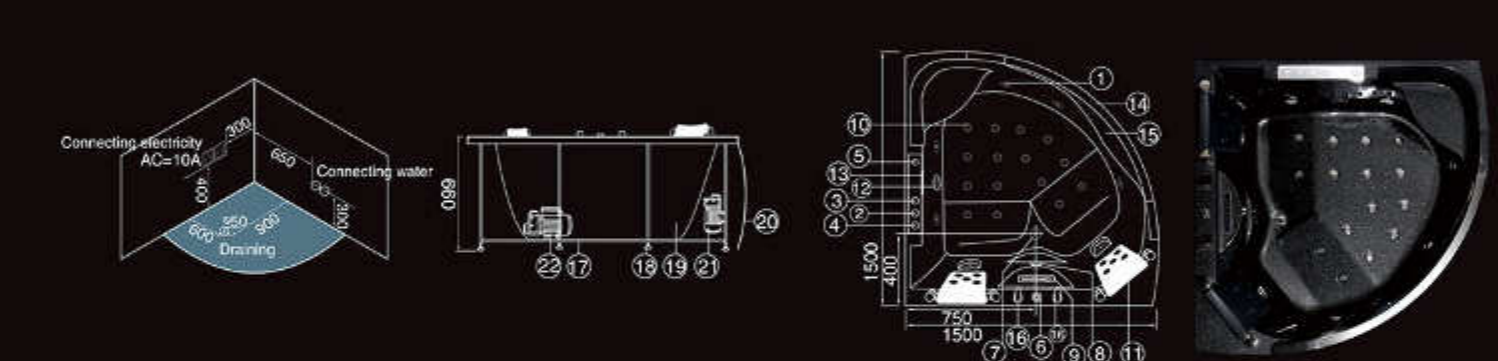


**Model: HS-B219**  
**Size: 1500 x 1500 x 700mm**

**Main devices**

- |   |                             |
|---|-----------------------------|
| ① Massage Jet                           | ⑫ Water Suction Device      |
| ② Function Changer Switch               | ⑬ Waterfall                 |
| ③ Cold Water Control                    | ⑭ Aluminium Armrest         |
| ④ Hot Water Control                     | ⑮ Decorative Tempered Glass |
| ⑤ Multifunctional Shower Head           | ⑯ Back Massage Switch       |
| ⑥ Water Force Adjustment Switch         | ⑰ Stainless Steel Bracket   |
| ⑦ Drainer                               | ⑱ Adjusting Screw           |
| ⑧ Draining Switch                       | ⑲ Acrylic Bathtub           |
| ⑨ Computerized Control Panel            | ⑳ Acrylic Apron             |
| ⑩ Bubble Bath With LED Multicolor Light | ㉑ Air Pump                  |
| ⑪ Pillow                                | ㉒ Water Pump                |

Power Rating Of Water Pump: 1HP  
 Compatible Electricity Standard: 110V/220V, 50Hz/60Hz

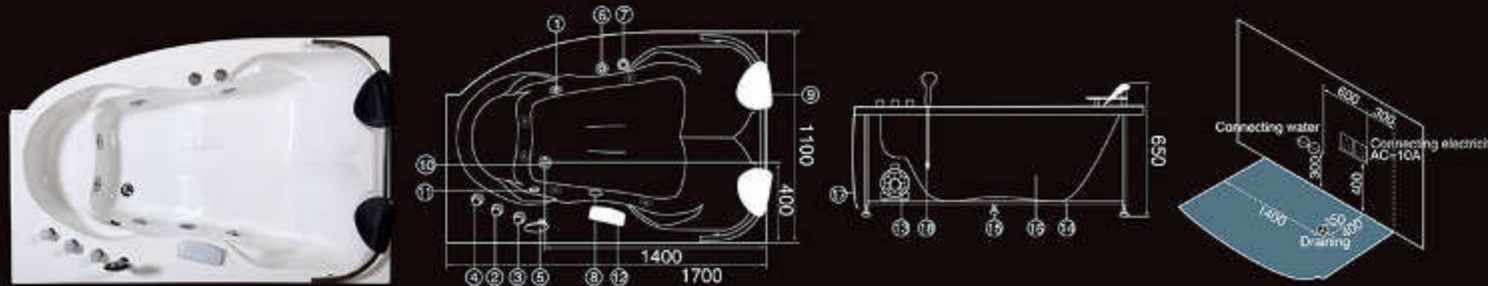


**Main devices**

- |                                 |                           |
|---------------------------------|---------------------------|
| ① Massage Jet                   | ⑩ Drainer                 |
| ② Function Changer Switch       | ⑪ Draining switch         |
| ③ Cold Water Control            | ⑫ Waterfall               |
| ④ Hot Water Control             | ⑬ Water Pump              |
| ⑤ Multifunctional Shower Head   | ⑭ Stainless Steel Bracket |
| ⑥ Air Switch                    | ⑮ Adjusting Screw         |
| ⑦ Water Force Adjustment Switch | ⑯ Acrylic Bathtub         |
| ⑧ Water Suction Device          | ⑰ Acrylic Apron           |
| ⑨ Pillow                        | ⑱ Shower Hoses            |

Power Rating Of Water Pump: 1HP  
 Compatible Electricity Standard: 110V/220V, 50Hz/60Hz

**Model: HS-B218 (left/right)**  
**Size: 1700 x 1100 x 650mm**

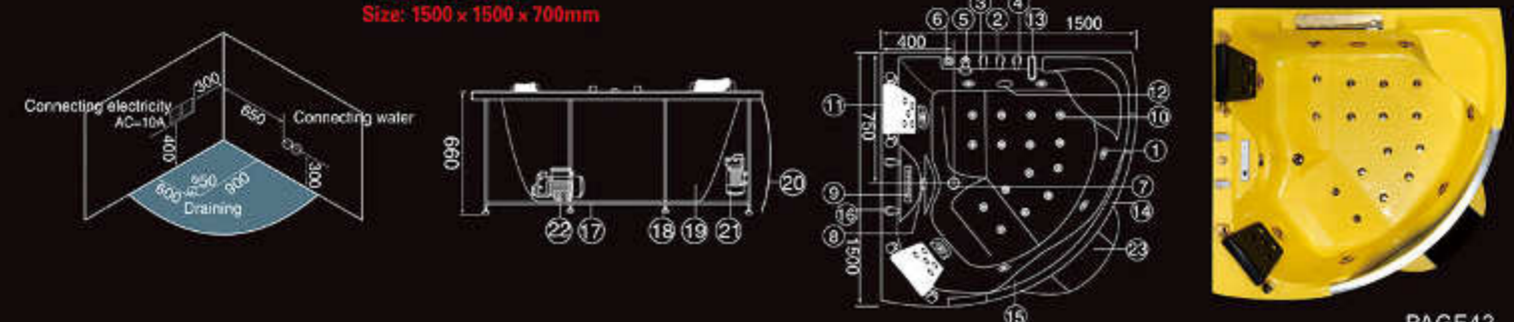


**Main devices**

- |   |                             |
|---|-----------------------------|
| ① Massage Jet                           | ⑫ Water Suction Device      |
| ② Function Changer Switch               | ⑬ Waterfall                 |
| ③ Cold Water Control                    | ⑭ Aluminium Armrest         |
| ④ Hot Water Control                     | ⑮ Decorative Tempered Glass |
| ⑤ Multifunctional Shower Head           | ⑯ back massage switch       |
| ⑥ Water Force Adjustment Switch         | ⑰ Stainless Steel Bracket   |
| ⑦ Drainer                               | ⑱ Adjusting Screw           |
| ⑧ Draining Switch                       | ⑲ Acrylic Bathtub           |
| ⑨ Computerized Control Panel            | ⑳ Acrylic Apron             |
| ⑩ Bubble Bath With LED Multicolor Light | ㉑ Air Pump                  |
| ⑪ Pillow                                | ㉒ Water Pump                |
|   | ㉓ Marble                    |

Power Rating Of Water Pump: 1HP  
 Compatible Electricity Standard: 110V/220V, 50Hz/60Hz

**Model: HS-B219A**  
**Size: 1500 x 1500 x 700mm**



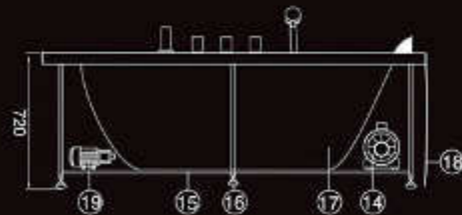
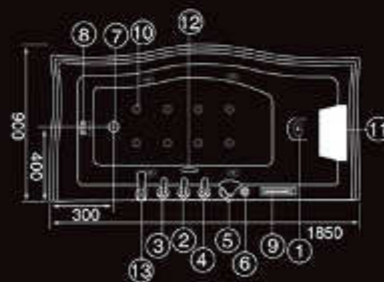
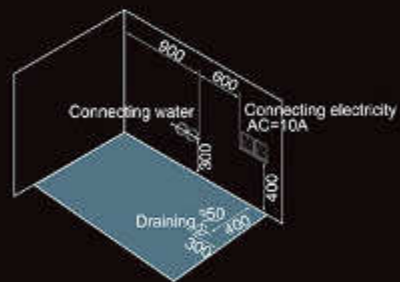


**Model: HS-B221**  
**Size: 1850 x 900 x 720mm**

**Main devices**

- |   |                           |
|---|---------------------------|
| ① Massage Jet                           | ⑪ Pillow                  |
| ② Function Changer Switch               | ⑫ Water Suction Device    |
| ③ Cold Water Control                    | ⑬ Water Fall              |
| ④ Hot Water Control                     | ⑭ Water Pump              |
| ⑤ Multifunctional Shower Head           | ⑮ Stainless Steel Bracket |
| ⑥ Water Force Adjustment Switch         | ⑯ Adjusting Screw         |
| ⑦ Drainer                               | ⑰ Acrylic Bathtub         |
| ⑧ Draining Switch                       | ⑱ Acrylic Apron           |
| ⑨ Computerized Control Panel            | ⑲ Air Pump                |
| ⑩ Bubble Bath With LED Multicolor Light |                           |

Power Rating Of Water Pump: 1HP  
Compatible Electricity Standard: 110V/220V, 50Hz/60Hz

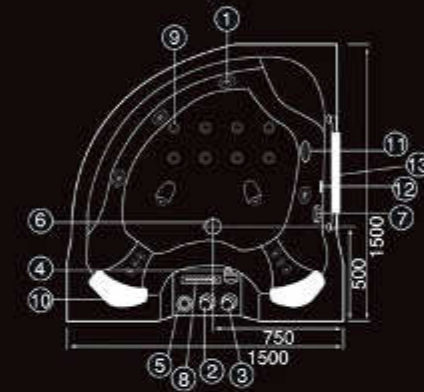
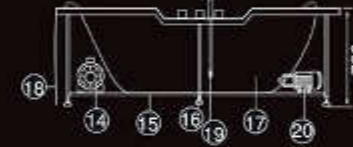
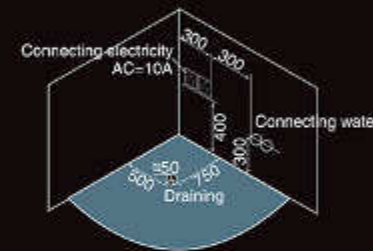


**Model: HS-B220**  
**Size: 1500 x 1500 x 760mm**

**Main devices**

- |   |                           |
|---|---------------------------|
| ① Massage Jet                           | ⑪ Water Suction Device    |
| ② Function Changer Switch               | ⑫ Waterfall               |
| ③ Cold / Hot Water Control              | ⑬ Stainless Steel Armrest |
| ④ Multifunctional Shower Head           | ⑭ Water Pump              |
| ⑤ Water Force Adjustment Switch         | ⑮ Stainless Steel Bracket |
| ⑥ Drainer                               | ⑯ Adjusting Screw         |
| ⑦ Draining Switch                       | ⑰ Acrylic Bathtub         |
| ⑧ Computerized Control Panel            | ⑱ Acrylic Apron           |
| ⑨ Bubble Bath With LED Multicolor Light | ⑲ Shower Hoses            |
| ⑩ Pillow                                | ⑳ Air Pump                |

Power Rating Of Water Pump: 1HP  
Compatible Electricity Standard: 110V/220V, 50Hz/60Hz

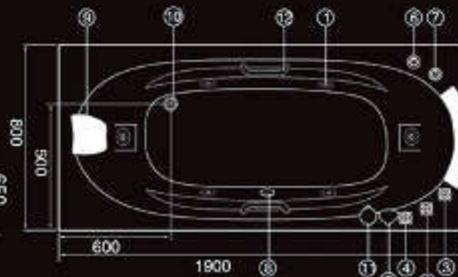
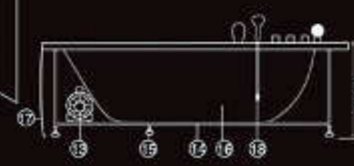
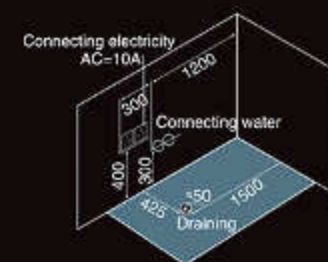


**Main devices / 主要配置**

- |                                 |                           |
|---------------------------------|---------------------------|
| ① Massage Jet                   | ⑩ Drainer                 |
| ② Function Changer Switch       | ⑪ Waterfall               |
| ③ Cold Water Control            | ⑫ Stainless Steel Armrest |
| ④ Hot Water Control             | ⑬ Water Pump              |
| ⑤ Multifunctional Shower Head   | ⑭ Stainless Steel Bracket |
| ⑥ Air Switch                    | ⑮ Adjusting Screw         |
| ⑦ Water Force Adjustment Switch | ⑯ Acrylic Bathtub         |
| ⑧ Water Suction Device          | ⑰ Acrylic Apron           |
| ⑨ Pillow                        | ⑱ Shower Hoses            |

Power Rating Of Water Pump: 1HP  
Compatible Electricity Standard: 110V/220V, 50Hz/60Hz

**Model: HS-B225 (left/right)**  
**Size: 1900 x 850 x 650mm**



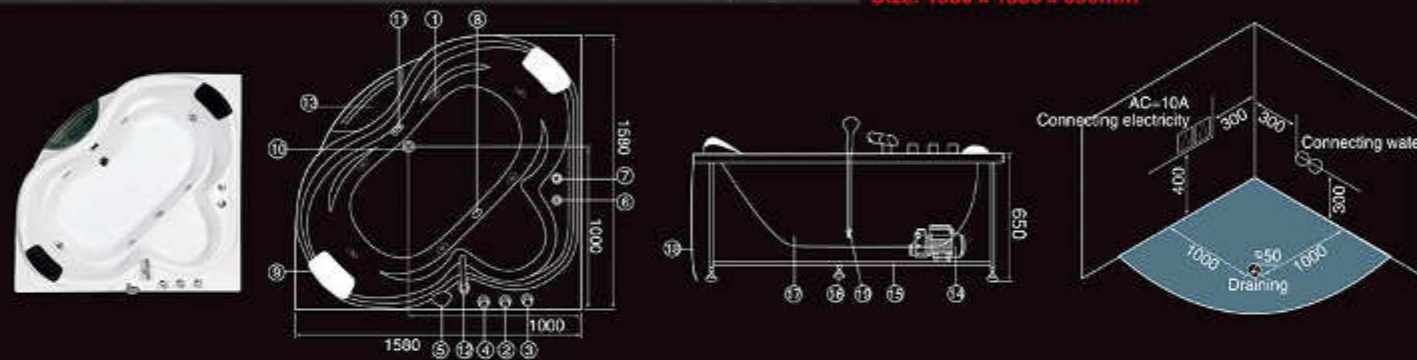


**Main devices**

- |                                 |                           |
|---------------------------------|---------------------------|
| ① Massage Jet                   | ⑩ Drainer                 |
| ② Function Changer Switch       | ⑪ Draining switch         |
| ③ Cold Water Control            | ⑫ Waterfall               |
| ④ Hot Water Control             | ⑬ Marble                  |
| ⑤ Multifunctional Shower Head   | ⑭ Water Pump              |
| ⑥ Air Switch                    | ⑮ Stainless Steel Bracket |
| ⑦ Water Force Adjustment Switch | ⑯ Adjusting Screw         |
| ⑧ Water Suction Device          | ⑰ Acrylic Bathtub         |
| ⑨ Pillow                        | ⑱ Acrylic Apron           |
|                                 | ⑲ Shower Hoses            |

Power Rating Of Water Pump: 1HP  
Compatible Electricity Standard: 110V/220V, 50Hz/60Hz

**Model: HS-B226**  
**Size: 1580 x 1580 x 650mm**

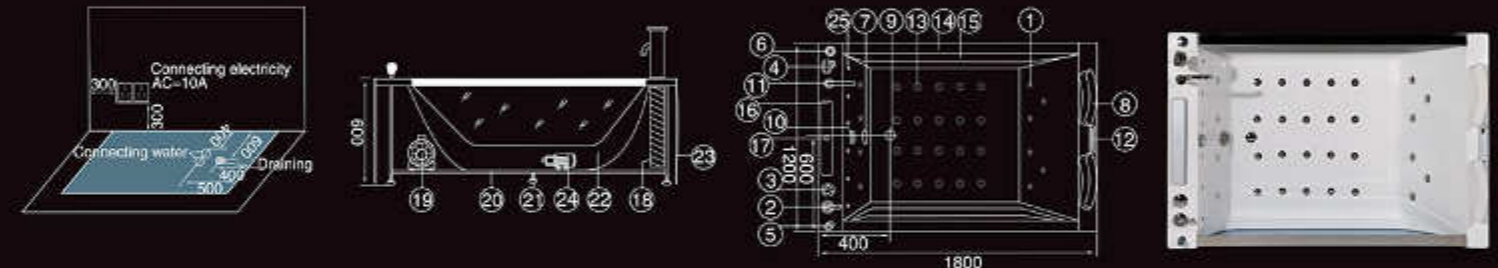


**Main devices**

- |   |                             |
|---|-----------------------------|
| ① Massage Jet                           | ⑭ Stainless Steel Armrest   |
| ② Hot and Cold Water Control            | ⑮ Decorative Tempered Glass |
| ③ Function Changer Switch               | ⑯ LCD TV(with WIFI)         |
| ④ Multifunctional Shower Head           | ⑰ Lift Button               |
| ⑤ USB Flash Drive                       | ⑱ TV Lift System            |
| ⑥ Water Force Adjustment Switch         | ⑲ Water Pump                |
| ⑦ Water Suction Device                  | ⑳ Stainless Steel Bracket   |
| ⑧ Pillow                                | ㉑ Adjusting Screw           |
| ⑨ Drainer                               | ㉒ Acrylic Bathtub           |
| ⑩ Draining switch                       | ㉓ Acrylic Apron             |
| ⑪ Water Fall                            | ㉔ Air Pump                  |
| ⑫ Computerized Control Panel            | ㉕ LED Multicolor Light      |
| ⑬ Bubble Bath With LED Multicolor Light |                             |

Power Rating Of Water Pump: 1HP  
Compatible Electricity Standard: 110V/220V, 50Hz/60Hz

**Model: HS-B227A**  
**Size: 1800 x 1200 x 600mm**

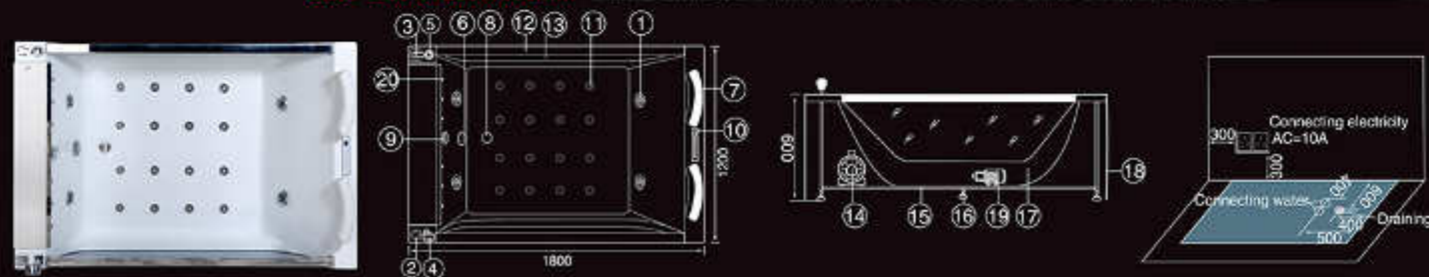


**Main devices**

- |                                 |   |
|---------------------------------|---|
| ① Massage Jet                   | ⑪ Bubble Bath With LED Multicolor Light |
| ② Hot and Cold Water Control    | ⑫ Stainless Steel Armrest               |
| ③ Function Changer Switch       | ⑬ Decorative Tempered Glass             |
| ④ Multifunctional Shower Head   | ⑭ Water Pump                            |
| ⑤ Water Force Adjustment Switch | ⑮ Stainless Steel Bracket               |
| ⑥ Water Suction Device          | ⑯ Adjusting Screw                       |
| ⑦ Pillow                        | ⑰ Acrylic Bathtub                       |
| ⑧ Drainer                       | ⑱ Acrylic Apron                         |
| ⑨ Draining switch               | ⑲ Air Pump                              |
| ⑩ Computerized Control Panel    | ⑳ LED Multicolor Light                  |

Power Rating Of Water Pump: 1HP  
Compatible Electricity Standard: 110V/220V, 50Hz/60Hz

**Model: HS-B227**  
**Size: 1800 x 1200 x 600mm**

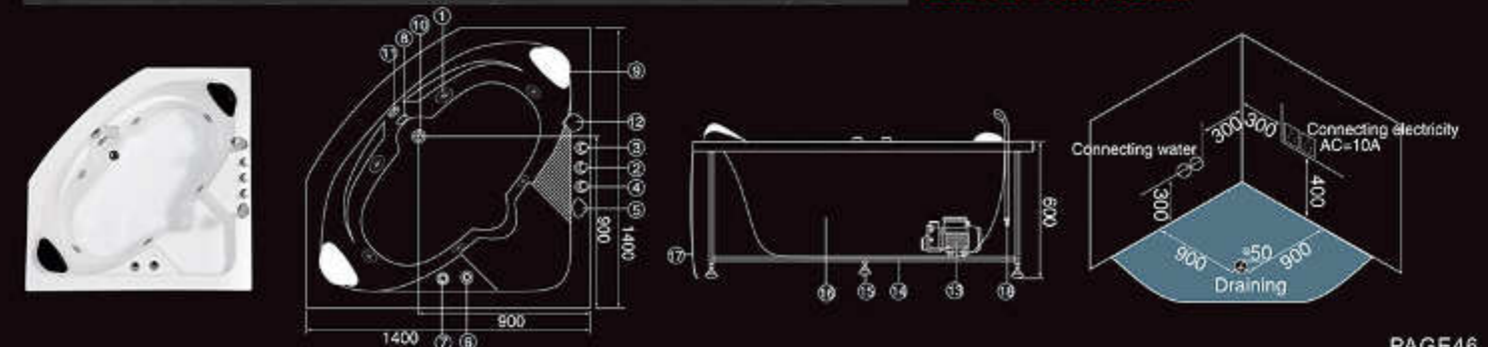


**Main devices**

- |                                 |                           |
|---------------------------------|---------------------------|
| ① Massage Jet                   | ⑩ Drainer                 |
| ② Function Changer Switch       | ⑪ Draining switch         |
| ③ Cold Water Control            | ⑫ Waterfall               |
| ④ Hot Water Control             | ⑬ Water Pump              |
| ⑤ Multifunctional Shower Head   | ⑭ Stainless Steel Bracket |
| ⑥ Air Switch                    | ⑮ Adjusting Screw         |
| ⑦ Water Force Adjustment Switch | ⑯ Acrylic Bathtub         |
| ⑧ Water Suction Device          | ⑰ Acrylic Apron           |
| ⑨ Pillow                        | ⑱ Shower Hoses            |

Power Rating Of Water Pump: 1HP  
Compatible Electricity Standard: 110V/220V, 50Hz/60Hz

**Model: HS-B230**  
**Size: 1400 x 1400 x 600mm**





# OUR PRODUCT

Sophisticated technology and proven quality—For more than years, it has remained true to its basic principles—with its clear



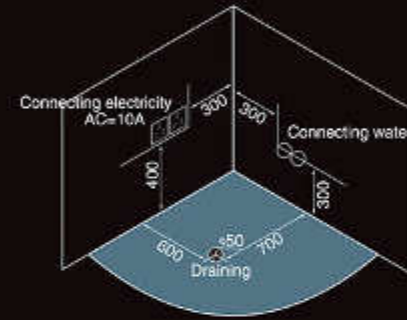
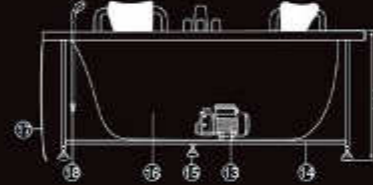
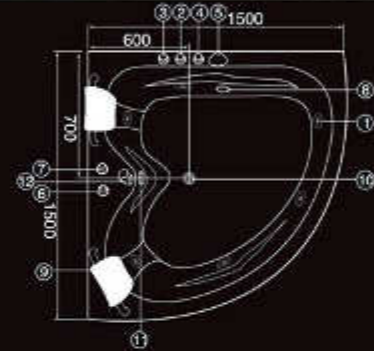


**Model: HS-B231**  
**Size: 1500 x 1500 x 600mm**

**Main devices**

- |                                 |                           |
|---------------------------------|---------------------------|
| ① Massage Jet                   | ⑩ Drainer                 |
| ② Function Changer Switch       | ⑪ Draining switch         |
| ③ Cold Water Control            | ⑫ Waterfall               |
| ④ Hot Water Control             | ⑬ Water Pump              |
| ⑤ Multifunctional Shower Head   | ⑭ Stainless Steel Bracket |
| ⑥ Air Switch                    | ⑮ Adjusting Screw         |
| ⑦ Water Force Adjustment Switch | ⑯ Acrylic Bathtub         |
| ⑧ Water Suction Device          | ⑰ Acrylic Apron           |
| ⑨ Pillow                        | ⑱ Shower Hoses            |

Power Rating Of Water Pump: 1HP  
 Compatible Electricity Standard: 110V/220V, 50Hz/60Hz

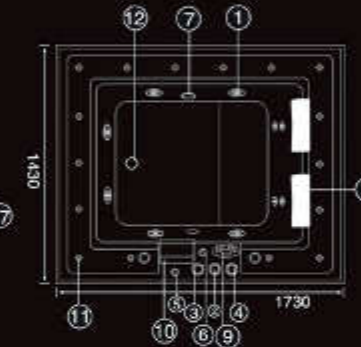
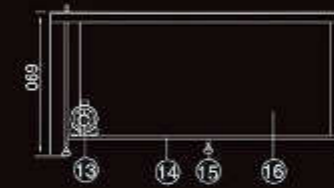
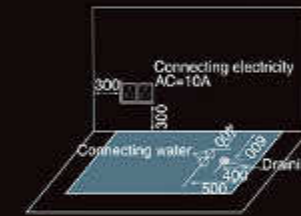


**Model: HS-B235**  
**Size: 1730 x 1430 x 690mm**

**Main devices**

- |                                 |                           |
|---------------------------------|---------------------------|
| ① Massage Jet                   | ⑩ Waterfall               |
| ② Function Changer Switch       | ⑪ LED Multicolor Light    |
| ③ Cold Water Control            | ⑫ Drainer                 |
| ④ Hot Water Control             | ⑬ Water Pump              |
| ⑤ Air Switch                    | ⑭ Stainless Steel Bracket |
| ⑥ Water Force Adjustment Switch | ⑮ Adjusting Screw         |
| ⑦ Water Suction Device          | ⑯ Acrylic Bathtub         |
| ⑧ Pillow                        | ⑰ Solid Wood Apron        |
| ⑨ Computerized Control Panel    |                           |

Power Rating Of Water Pump: 1HP  
 Compatible Electricity Standard: 110V/220V, 50Hz/60Hz

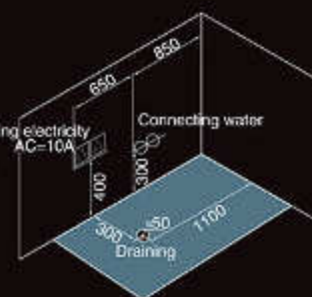
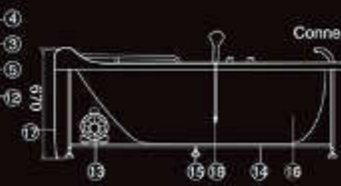
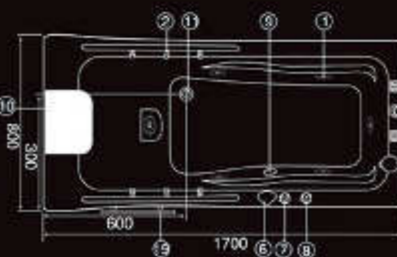


**Main devices**

- |                                 |                              |
|---------------------------------|------------------------------|
| ① Massage Jet                   | ⑩ Pillow                     |
| ② Acupuncture massage nozzles   | ⑪ Drainer                    |
| ③ Function Changer Switch       | ⑫ Waterfall                  |
| ④ Cold Water Control            | ⑬ Water Pump                 |
| ⑤ Hot Water Control             | ⑭ Stainless Steel Bracket    |
| ⑥ Multifunctional Shower Head   | ⑮ Adjusting Screw            |
| ⑦ Air Switch                    | ⑯ Acrylic Bathtub            |
| ⑧ Water Force Adjustment Switch | ⑰ Acrylic Apron              |
| ⑨ Water Suction Device          | ⑱ Shower Hoses               |
|                                 | ⑲ Stainless Steel Towel Rail |

Power Rating Of Water Pump: 1HP  
 Compatible Electricity Standard: 110V/220V, 50Hz/60Hz

**Model: HS-B232 (left/right)**  
**Size: 1700 x 800 x 670mm**

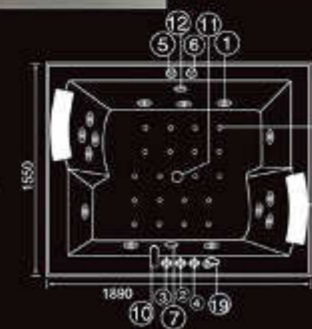
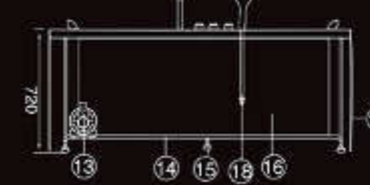
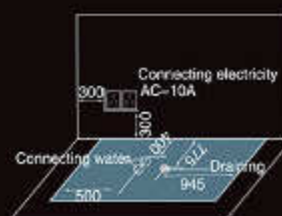


**Main devices**

- |                                 |                               |
|---------------------------------|-------------------------------|
| ① Massage Jet                   | ⑩ Waterfall                   |
| ② Function Changer Switch       | ⑪ Drainer                     |
| ③ Cold Water Control            | ⑫ Draining switch             |
| ④ Hot Water Control             | ⑬ Water Pump                  |
| ⑤ Air Switch                    | ⑭ Stainless Steel Bracket     |
| ⑥ Water Force Adjustment Switch | ⑮ Adjusting Screw             |
| ⑦ Water Suction Device          | ⑯ Acrylic Bathtub             |
| ⑧ Pillow                        | ⑰ Solid Wood Apron            |
| ⑨ LED Multicolor Light          | ⑱ Shower Hoses                |
|                                 | ⑲ Multifunctional Shower Head |

Power Rating Of Water Pump: 1HP  
 Compatible Electricity Standard: 110V/220V, 50Hz/60Hz

**Model: HS-B237**  
**Size: 1890 x 1550 x 720mm**





**Model: HS-B238**  
**Size: 1520 x 1520 x 700mm**

**Main devices**

- |                                 |                           |
|---------------------------------|---------------------------|
| ① Massage Jet                   | ⑩ Draining switch         |
| ② Function Changer Switch       | ⑪ Waterfall               |
| ③ Cold / Hot Water Control      | ⑫ Water Pump              |
| ④ Multifunctional Shower Head   | ⑬ Stainless Steel Bracket |
| ⑤ Air Switch                    | ⑭ Adjusting Screw         |
| ⑥ Water Force Adjustment Switch | ⑮ Acrylic Bathtub         |
| ⑦ Water Suction Device          | ⑯ Acrylic Apron           |
| ⑧ Pillow                        | ⑰ Shower Hoses            |
| ⑨ Drainer                       |                           |

Power Rating Of Water Pump: 1HP  
 Compatible Electricity Standard: 110V/220V, 50Hz/60Hz

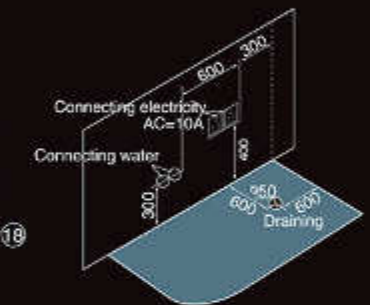
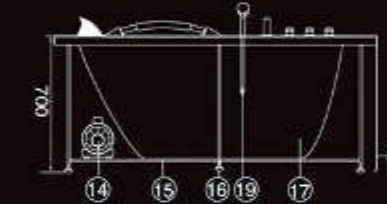
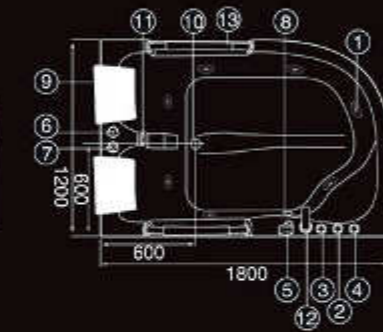
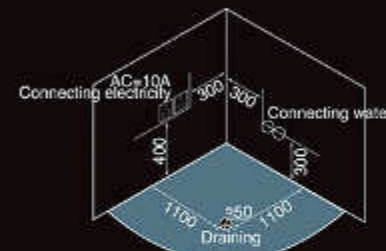
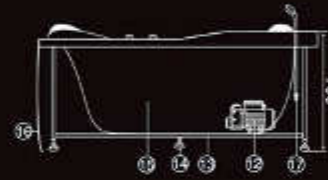
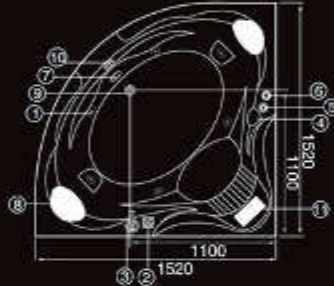


**Model: HS-B240**  
**Size: 1800 x 1220 x 660mm**

**Main devices**

- |                                 |                           |
|---------------------------------|---------------------------|
| ① Massage Jet                   | ⑩ Drainer                 |
| ② Function Changer Switch       | ⑪ Draining Switch         |
| ③ Cold Water Control            | ⑫ Waterfall               |
| ④ Hot Water Control             | ⑬ Stainless Steel Armrest |
| ⑤ Multifunctional Shower Head   | ⑭ Water Pump              |
| ⑥ Air Switch                    | ⑮ Stainless Steel Bracket |
| ⑦ Water Force Adjustment Switch | ⑯ Adjusting Screw         |
| ⑧ Water Suction Device          | ⑰ Acrylic Bathtub         |
| ⑨ Pillow                        | ⑱ Acrylic Apron           |
|                                 | ⑲ Shower Hoses            |

Power Rating Of Water Pump: 1HP  
 Compatible Electricity Standard: 110V/220V, 50Hz/60Hz

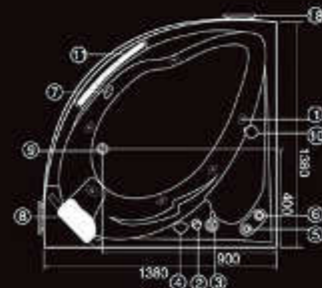
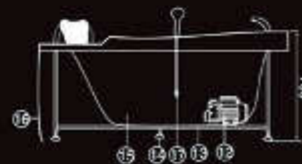
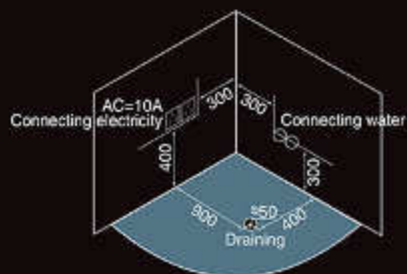


**Main devices**

- |                                 |                           |
|---------------------------------|---------------------------|
| ① Massage Jet                   | ⑩ Waterfall               |
| ② Function Changer Switch       | ⑪ Stainless Steel Armrest |
| ③ Cold / Hot Water Control      | ⑫ Water Pump              |
| ④ Multifunctional Shower Head   | ⑬ Stainless Steel Bracket |
| ⑤ Air Switch                    | ⑭ Adjusting Screw         |
| ⑥ Water Force Adjustment Switch | ⑮ Acrylic Bathtub         |
| ⑦ Water Suction Device          | ⑯ Acrylic Apron           |
| ⑧ Pillow                        | ⑰ Shower Hoses            |
| ⑨ Drainer                       | ⑱ Layer Rack              |

Power Rating Of Water Pump: 1HP  
 Compatible Electricity Standard: 110V/220V, 50Hz/60Hz

**Model: HS-B239**  
**Size: 1380 x 1380 x 700mm**

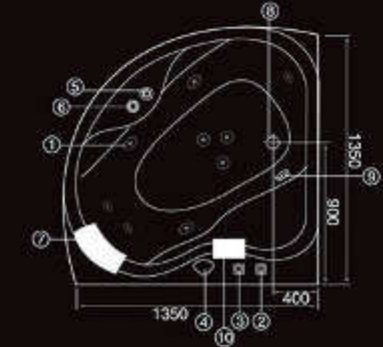
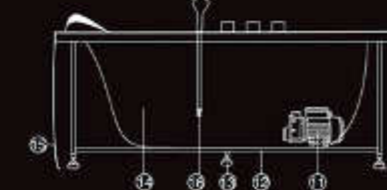
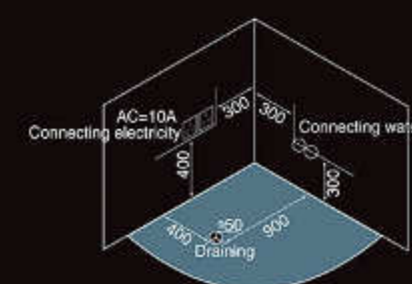


**Main devices**

- |                                 |                           |
|---------------------------------|---------------------------|
| ① Massage Jet                   | ⑩ Waterfall               |
| ② Function Changer Switch       | ⑪ Water Pump              |
| ③ Cold / Hot Water Control      | ⑫ Stainless Steel Bracket |
| ④ Multifunctional Shower Head   | ⑬ Adjusting Screw         |
| ⑤ Air Switch                    | ⑭ Acrylic Bathtub         |
| ⑥ Water Force Adjustment Switch | ⑮ Acrylic Apron           |
| ⑦ Pillow                        | ⑯ Shower Hoses            |
| ⑧ Drainer                       |                           |
| ⑨ Draining switch               |                           |

Power Rating Of Water Pump: 1HP  
 Compatible Electricity Standard: 110V/220V, 50Hz/60Hz

**Model: HS-B241**  
**Size: 1350 x 1350 x 700mm**





**Model: HS-B242**  
**Size: 1570 x 1570 x 690mm**

**Main devices**

- |                                 |                             |
|---------------------------------|-----------------------------|
| ① Massage Jet                   | ⑩ Waterfall                 |
| ② Function Changer Switch       | ⑪ Decorative Tempered Glass |
| ③ Cold / Hot Water Control      | ⑫ Water Pump                |
| ④ Multifunctional Shower Head   | ⑬ Stainless Steel Bracket   |
| ⑤ Air Switch                    | ⑭ Adjusting Screw           |
| ⑥ Water Force Adjustment Switch | ⑮ Acrylic Bathtub           |
| ⑦ Water Suction Device          | ⑯ Acrylic Apron             |
| ⑧ Pillow                        | ⑰ Shower Hoses              |
| ⑨ Drainer                       |                             |

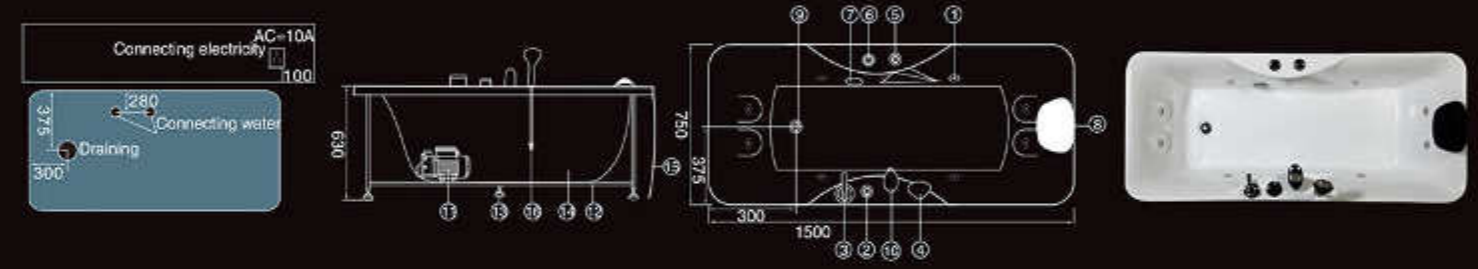
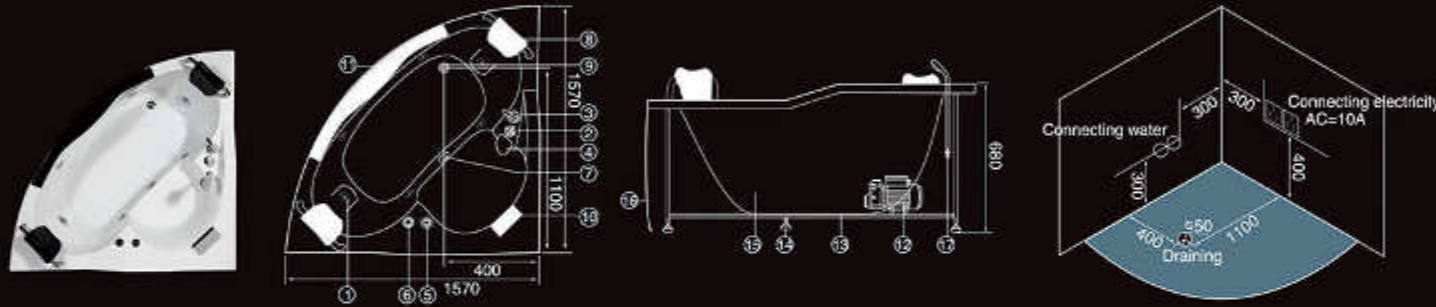
Power Rating Of Water Pump: 1HP  
 Compatible Electricity Standard: 110V/220V, 50Hz/60Hz

**Model: HS-B245**  
**Size: 1500 x 750 x 630mm**  
**1700 x 800 x 670mm**

**Main devices**

- |                                 |                           |
|---------------------------------|---------------------------|
| ① Massage Jet                   | ⑩ Waterfall               |
| ② Function Changer Switch       | ⑪ Water Pump              |
| ③ Cold / Hot Water Control      | ⑫ Stainless Steel Bracket |
| ④ Multifunctional Shower Head   | ⑬ Adjusting Screw         |
| ⑤ Air Switch                    | ⑭ Acrylic Bathtub         |
| ⑥ Water Force Adjustment Switch | ⑮ Acrylic Apron           |
| ⑦ Water Suction Device          | ⑯ Shower Hoses            |
| ⑧ Pillow                        |                           |
| ⑨ Drainer                       |                           |

Power Rating Of Water Pump: 1HP  
 Compatible Electricity Standard: 110V/220V, 50Hz/60Hz

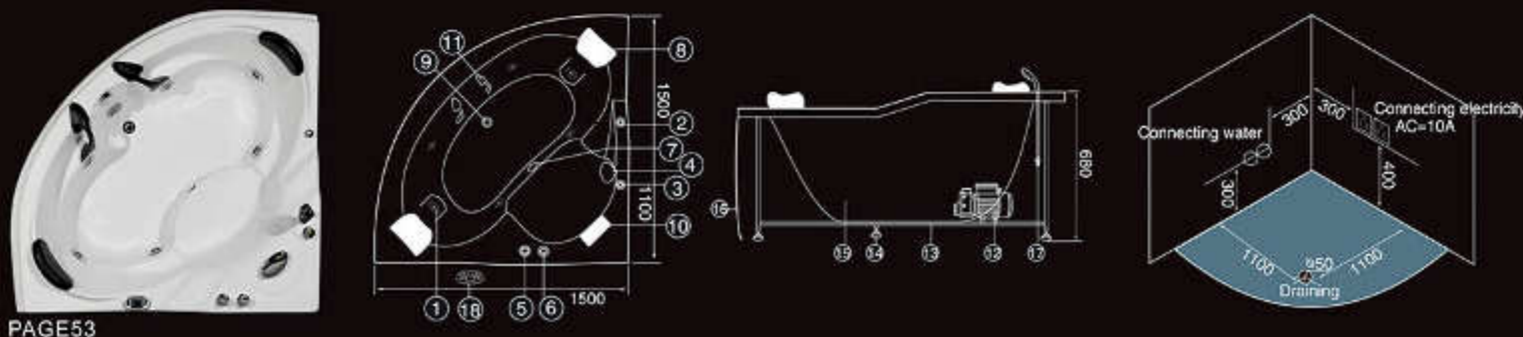


**Main devices**

- |                                 |                              |
|---------------------------------|------------------------------|
| ① Massage Jet                   | ⑩ Waterfall                  |
| ② Function Changer Switch       | ⑪ Stainless Steel Armrest    |
| ③ Cold / Hot Water Control      | ⑫ Water Pump                 |
| ④ Multifunctional Shower Head   | ⑬ Stainless Steel Bracket    |
| ⑤ Air Switch                    | ⑭ Adjusting Screw            |
| ⑥ Water Force Adjustment Switch | ⑮ Acrylic Bathtub            |
| ⑦ Water Suction Device          | ⑯ Acrylic Apron              |
| ⑧ Pillow                        | ⑰ Shower Hoses               |
| ⑨ Drainer                       | ⑱ Computerized Control Panel |

Power Rating Of Water Pump: 1HP  
 Compatible Electricity Standard: 110V/220V, 50Hz/60Hz

**Model: HS-B243**  
**Size: 1500 x 1500 x 660mm**

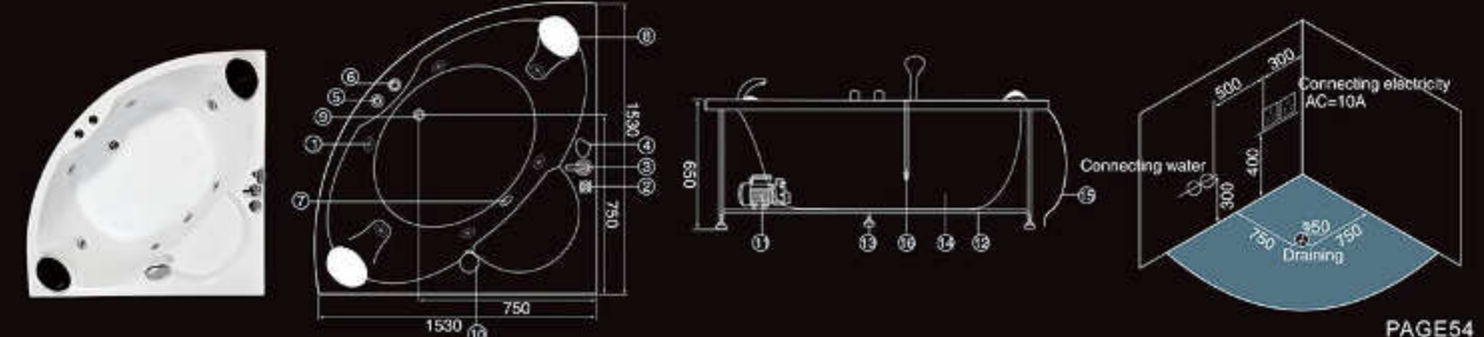


**Main devices**

- |                                 |                           |
|---------------------------------|---------------------------|
| ① Massage Jet                   | ⑩ Waterfall               |
| ② Function Changer Switch       | ⑪ Water Pump              |
| ③ Cold / Hot Water Control      | ⑫ Stainless Steel Bracket |
| ④ Multifunctional Shower Head   | ⑬ Adjusting Screw         |
| ⑤ Air Switch                    | ⑭ Acrylic Bathtub         |
| ⑥ Water Force Adjustment Switch | ⑮ Acrylic Apron           |
| ⑦ Water Suction Device          | ⑯ Shower Hoses            |
| ⑧ Pillow                        |                           |
| ⑨ Drainer                       |                           |

Power Rating Of Water Pump: 1HP  
 Compatible Electricity Standard: 110V/220V, 50Hz/60Hz

**Model: HS-B246**  
**Size: 1530 x 1530 x 650mm**  
**1300 x 1300 x 650mm**



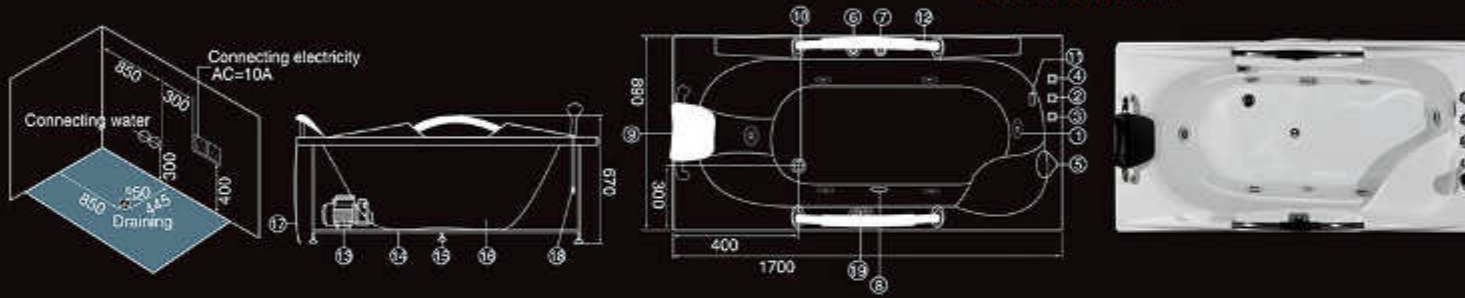


**Main devices**

- |                                 |                              |
|---------------------------------|------------------------------|
| ① Massage Jet                   | ⑩ Drainer                    |
| ② Function Changer Switch       | ⑪ Waterfall                  |
| ③ Cold Water Control            | ⑫ Stainless Steel Armrest    |
| ④ Hot Water Control             | ⑬ Water Pump                 |
| ⑤ Multifunctional Shower Head   | ⑭ Stainless Steel Bracket    |
| ⑥ Air Switch                    | ⑮ Adjusting Screw            |
| ⑦ Water Force Adjustment Switch | ⑯ Acrylic Bathtub            |
| ⑧ Water Suction Device          | ⑰ Acrylic Apron              |
| ⑨ Pillow                        | ⑱ Shower Hoses               |
|                                 | ⑲ Computerized Control Panel |

Power Rating Of Water Pump: 1HP  
Compatible Electricity Standard: 110V/220V, 50Hz/60Hz

**Model: HS-B247**  
**Size: 1700 x 890 x 670mm**  
**1500 x 810 x 670mm**

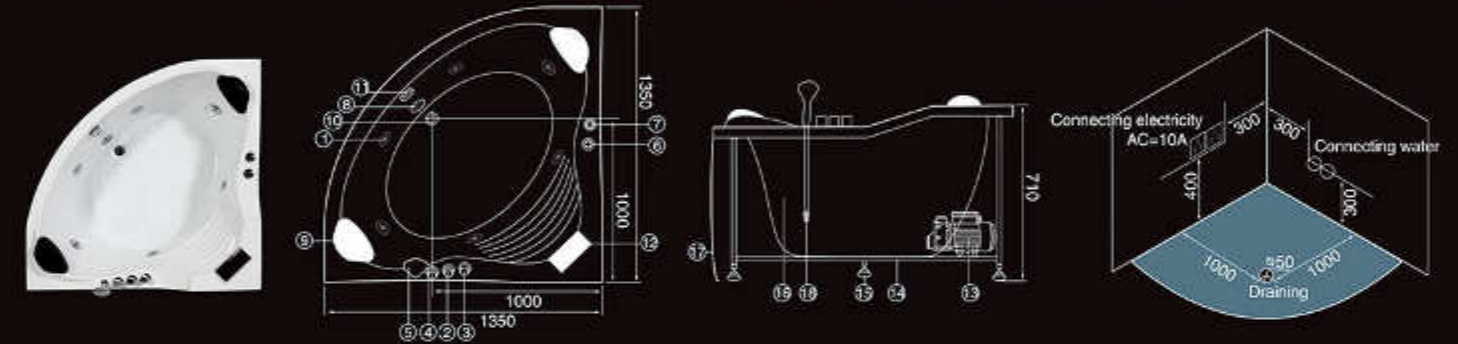


**Main devices**

- |                                 |                           |
|---------------------------------|---------------------------|
| ① Massage Jet                   | ⑩ Drainer                 |
| ② Function Changer Switch       | ⑪ Draining switch         |
| ③ Cold Water Control            | ⑫ Waterfall               |
| ④ Hot Water Control             | ⑬ Water Pump              |
| ⑤ Multifunctional Shower Head   | ⑭ Stainless Steel Bracket |
| ⑥ Air Switch                    | ⑮ Adjusting Screw         |
| ⑦ Water Force Adjustment Switch | ⑯ Acrylic Bathtub         |
| ⑧ Water Suction Device          | ⑰ Acrylic Apron           |
| ⑨ Pillow                        | ⑱ Shower Hoses            |

Power Rating Of Water Pump: 1HP  
Compatible Electricity Standard: 110V/220V, 50Hz/60Hz

**Model: HS-B249**  
**Size: 1350 x 1350 x 710mm**

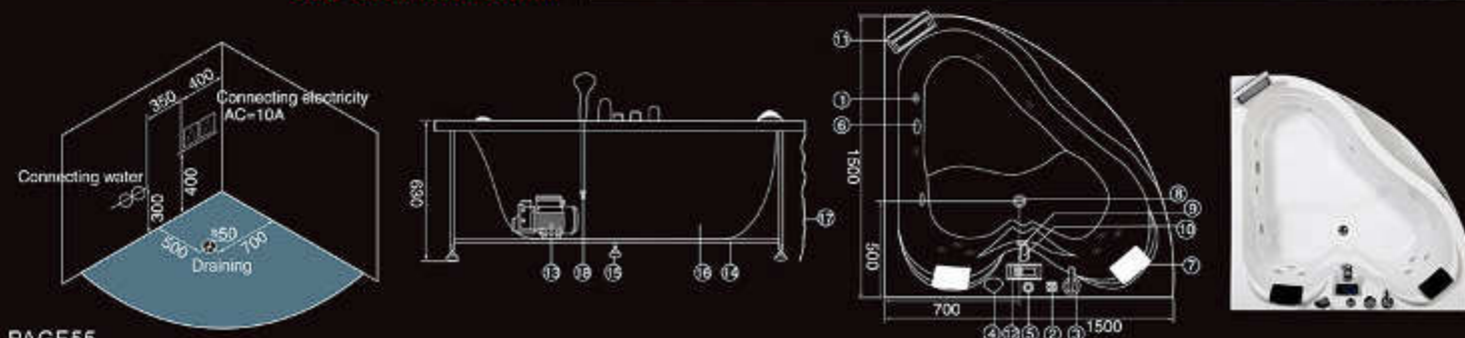


**Main devices**

- |                                 |                              |
|---------------------------------|------------------------------|
| ① Massage Jet                   | ⑩ Waterfall                  |
| ② Function Changer Switch       | ⑪ LCD TV                     |
| ③ Cold / Hot Water Control      | ⑫ Computerized Control Panel |
| ④ Multifunctional Shower Head   | ⑬ Water Pump                 |
| ⑤ Water Force Adjustment Switch | ⑭ Stainless Steel Bracket    |
| ⑥ Water Suction Device          | ⑮ Adjusting Screw            |
| ⑦ Pillow                        | ⑯ Acrylic Bathtub            |
| ⑧ Drainer                       | ⑰ Acrylic Apron              |
| ⑨ Draining switch               | ⑱ Shower Hoses               |

Power Rating Of Water Pump: 1HP  
Compatible Electricity Standard: 110V/220V, 50Hz/60Hz

**Model: HS-B248**  
**Size: 1500 x 1500 x 630mm**

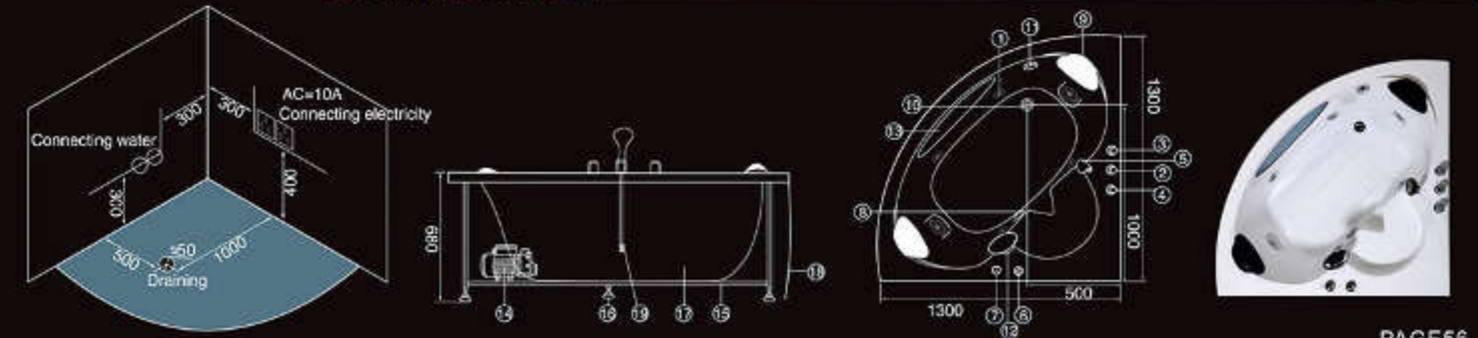


**Main devices**

- |                                 |                             |
|---------------------------------|-----------------------------|
| ① Massage Jet                   | ⑩ Drainer                   |
| ② Function Changer Switch       | ⑪ Draining switch           |
| ③ Cold Water Control            | ⑫ Waterfall                 |
| ④ Hot Water Control             | ⑬ Decorative Tempered Glass |
| ⑤ Multifunctional Shower Head   | ⑭ Water Pump                |
| ⑥ Air Switch                    | ⑮ Stainless Steel Bracket   |
| ⑦ Water Force Adjustment Switch | ⑯ Adjusting Screw           |
| ⑧ Water Suction Device          | ⑰ Acrylic Bathtub           |
| ⑨ Pillow                        | ⑱ Acrylic Apron             |
|                                 | ⑲ Shower Hoses              |

Power Rating Of Water Pump: 1HP  
Compatible Electricity Standard: 110V/220V, 50Hz/60Hz

**Model: HS-B250**  
**Size: 1300 x 1300 x 680mm**







**Surrounded** with long lost feelings. As soon as water keeps close relations with our bodies, our fingers and our skins, we'll relax our nerves and enjoy elegance and luxury.....

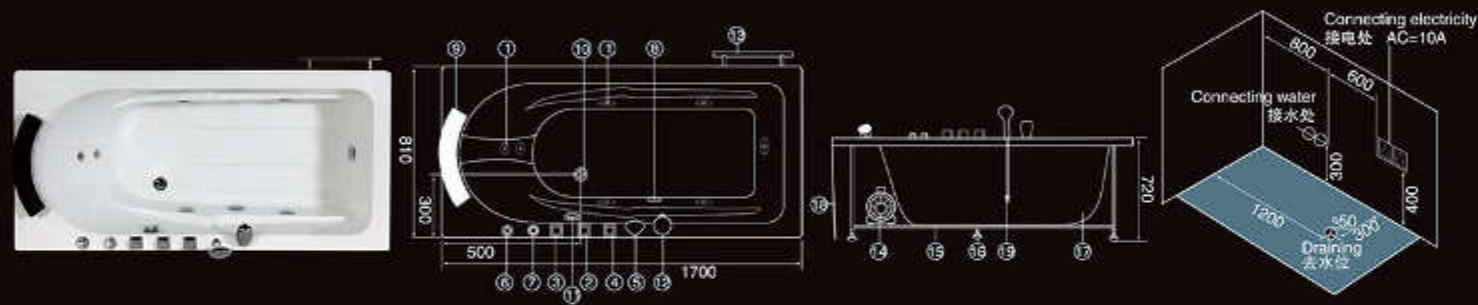


**Main devices**

- |                                 |                              |
|---------------------------------|------------------------------|
| ① Massage Jet                   | ⑩ Drainer                    |
| ② Function Changer Switch       | ⑪ Draining switch            |
| ③ Cold Water Control            | ⑫ Waterfall                  |
| ④ Hot Water Control             | ⑬ Stainless Steel Towel Rail |
| ⑤ Multifunctional Shower Head   | ⑭ Water Pump                 |
| ⑥ Air Switch                    | ⑮ Stainless Steel Bracket    |
| ⑦ Water Force Adjustment Switch | ⑯ Adjusting Screw            |
| ⑧ Water Suction Device          | ⑰ Acrylic Bathtub            |
| ⑨ Pillow                        | ⑱ Acrylic Apron              |
|                                 | ⑲ Shower Hoses               |

Power Rating Of Water Pump: 1HP  
Compatible Electricity Standard: 110V/220V, 50Hz/60Hz

**Model: HS-B252 (left/right)**  
**Size: 1700 x 810 x 720mm**

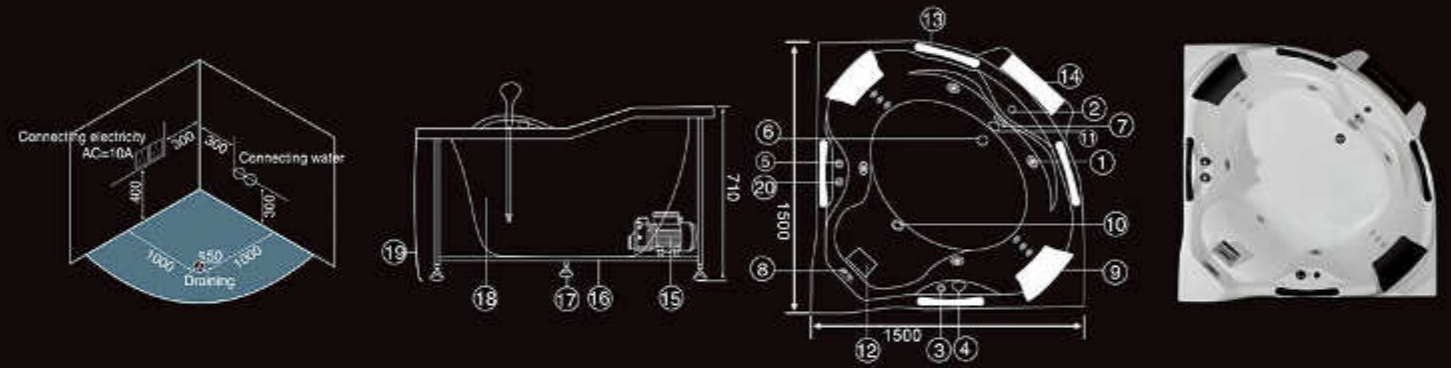


**Main devices**

- |                                 |                           |
|---------------------------------|---------------------------|
| ① Massage Jet                   | ⑪ Water Suction Device    |
| ② Function Changer Switch       | ⑫ Waterfall               |
| ③ Cold / Hot Water Control      | ⑬ Aluminium Armrest       |
| ④ Multifunctional Shower Head   | ⑭ Marble                  |
| ⑤ Water Force Adjustment Switch | ⑮ Water Pump              |
| ⑥ Drainer                       | ⑯ Stainless Steel Bracket |
| ⑦ Draining Switch               | ⑰ Adjusting Screw         |
| ⑧ Computerized Control Panel    | ⑱ Acrylic Bathtub         |
| ⑨ Pillow                        | ⑲ Acrylic Apron           |
| ⑩ LED Multicolor Light          | ⑳ Air Switch              |

Power Rating Of Water Pump: 1HP  
Compatible Electricity Standard: 110V/220V, 50Hz/60Hz

**Model: HS-B255**  
**Size: 1500 x 1500 x 750mm**

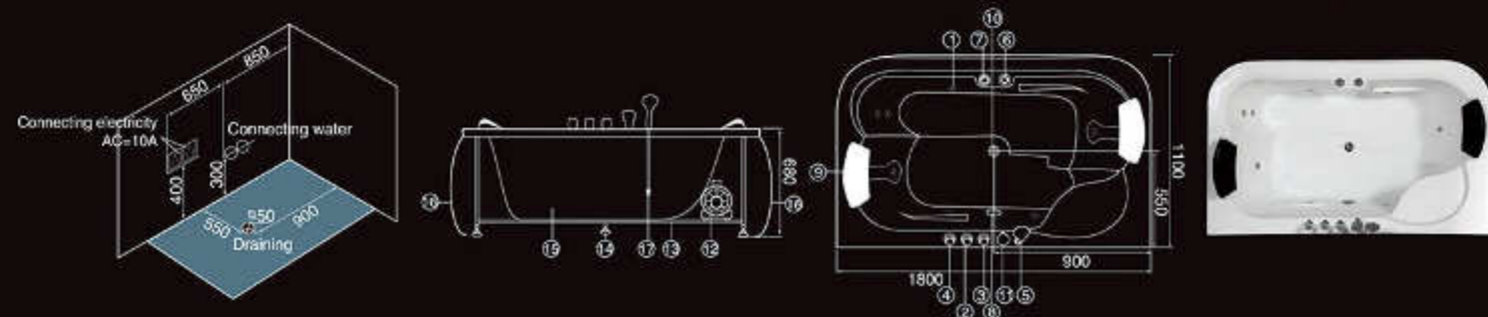


**Main devices**

- |                                 |                           |
|---------------------------------|---------------------------|
| ① Massage Jet                   | ⑩ Drainer                 |
| ② Function Changer Switch       | ⑪ Waterfall               |
| ③ Cold Water Control            | ⑫ Water Pump              |
| ④ Hot Water Control             | ⑬ Stainless Steel Bracket |
| ⑤ Multifunctional Shower Head   | ⑭ Adjusting Screw         |
| ⑥ Air Switch                    | ⑮ Acrylic Bathtub         |
| ⑦ Water Force Adjustment Switch | ⑯ Acrylic Apron           |
| ⑧ Water Suction Device          | ⑰ Shower Hoses            |
| ⑨ Pillow                        |                           |

Power Rating Of Water Pump: 1HP  
Compatible Electricity Standard: 110V/220V, 50Hz/60Hz

**Model: HS-B253**  
**Size: 1800 x 1100 x 680mm**

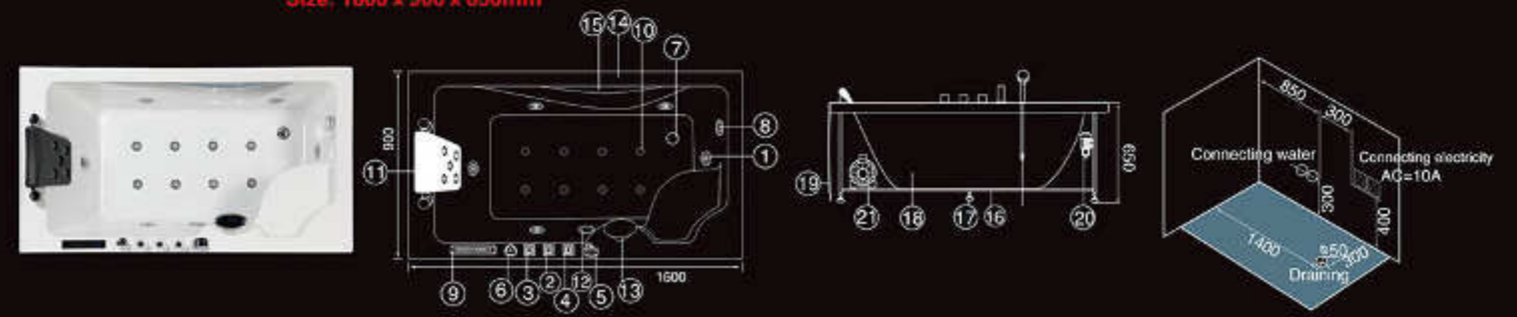


**Main devices**

- |   |                             |
|---|-----------------------------|
| ① Massage Jet                           | ⑫ Water Suction Device      |
| ② Function Changer Switch               | ⑬ Waterfall                 |
| ③ Cold Water Control                    | ⑭ Aluminium Armrest         |
| ④ Hot Water Control                     | ⑮ Decorative Tempered Glass |
| ⑤ Multifunctional Shower Head           | ⑯ Stainless Steel Bracket   |
| ⑥ Water Force Adjustment Switch         | ⑰ Adjusting Screw           |
| ⑦ Drainer                               | ⑱ Acrylic Bathtub           |
| ⑧ Draining Switch                       | ⑲ Acrylic Apron             |
| ⑨ Computerized Control Panel            | ⑳ Air Pump                  |
| ⑩ Bubble Bath With LED Multicolor Light | ㉑ Water Pump                |
| ⑪ Pillow                                |                             |

Power Rating Of Water Pump: 1HP  
Compatible Electricity Standard: 110V/220V, 50Hz/60Hz

**Model: HS-B257**  
**Size: 1600 x 900 x 650mm**

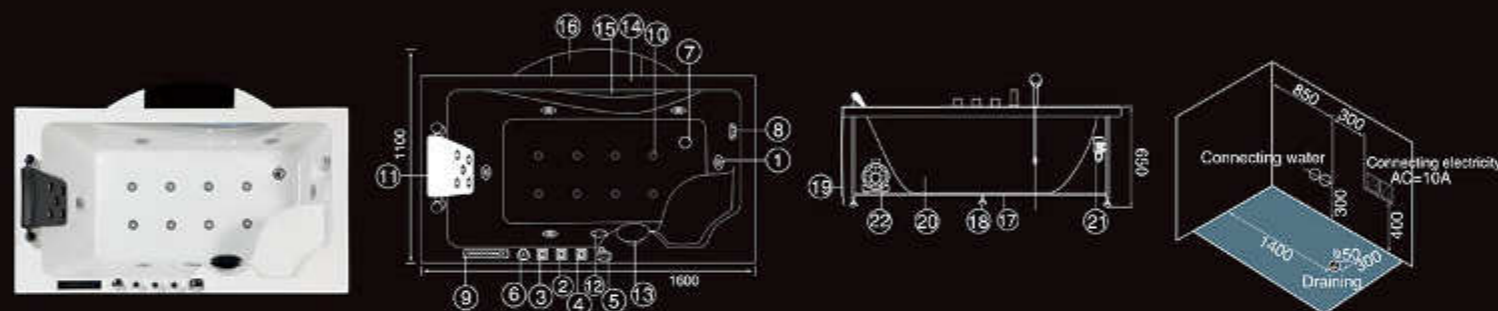


**Main devices**

- |   |                             |
|---|-----------------------------|
| ① Massage Jet                           | ⑫ Water Suction Device      |
| ② Function Changer Switch               | ⑬ Waterfall                 |
| ③ Cold Water Control                    | ⑭ Aluminium Armrest         |
| ④ Hot Water Control                     | ⑮ Decorative Tempered Glass |
| ⑤ Multifunctional Shower Head           | ⑯ Marble                    |
| ⑥ Water Force Adjustment Switch         | ⑰ Stainless Steel Bracket   |
| ⑦ Drainer                               | ⑱ Adjusting Screw           |
| ⑧ Draining Switch                       | ⑲ Acrylic Bathtub           |
| ⑨ Computerized Control Panel            | ⑳ Acrylic Apron             |
| ⑩ Bubble Bath With LED Multicolor Light | ㉑ Air Pump                  |
| ⑪ Pillow                                | ㉒ Water Pump                |

Power Rating Of Water Pump: 1HP  
Compatible Electricity Standard: 110V/220V, 50Hz/60Hz

**Model: HS-B257A**  
**Size: 1600 x 1100 x 650mm**

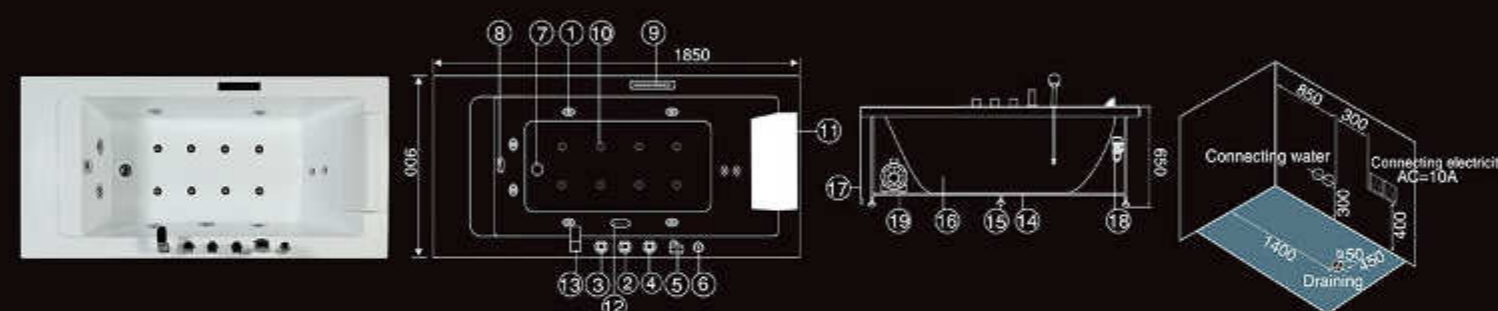


**Main devices**

- |   |                           |
|---|---------------------------|
| ① Massage Jet                           | ⑪ Pillow                  |
| ② Function Changer Switch               | ⑫ Water Suction Device    |
| ③ Cold Water Control                    | ⑬ Waterfall               |
| ④ Hot Water Control                     | ⑭ Stainless Steel Bracket |
| ⑤ Multifunctional Shower Head           | ⑮ Adjusting Screw         |
| ⑥ Water Force Adjustment Switch         | ⑯ Acrylic Bathtub         |
| ⑦ Drainer                               | ⑰ Acrylic Apron           |
| ⑧ Draining Switch                       | ⑱ Air Pump                |
| ⑨ Computerized Control Panel            | ⑲ Water Pump              |
| ⑩ Bubble Bath With LED Multicolor Light |                           |

Power Rating Of Water Pump: 1HP  
Compatible Electricity Standard: 110V/220V, 50Hz/60Hz

**Model: HS-B259**  
**Size: 1850 x 900 x 600mm**

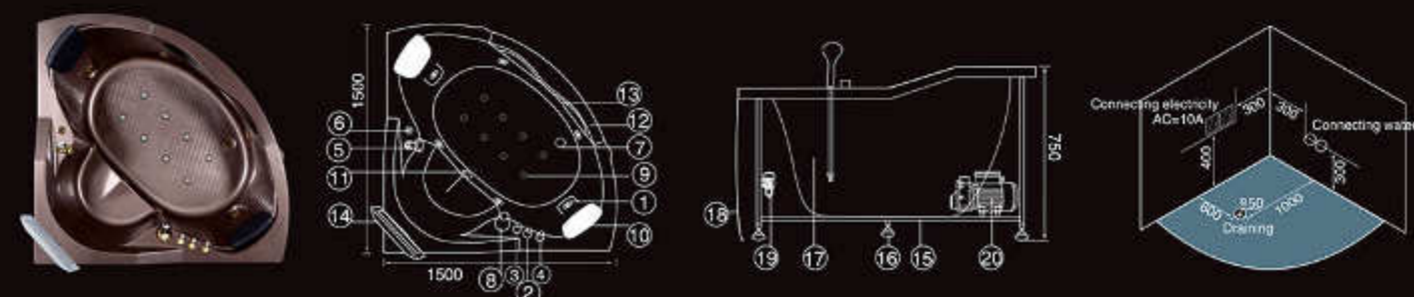


**Main devices**

- |   |                             |
|---|-----------------------------|
| ① Massage Jet                           | ⑪ Water Suction Device      |
| ② Function Changer Switch               | ⑫ Aluminium Armrest         |
| ③ Cold Water Control                    | ⑬ Decorative Tempered Glass |
| ④ Hot Water Control                     | ⑭ LCD TV(with WIFI)         |
| ⑤ Multifunctional Shower Head           | ⑮ Stainless Steel Bracket   |
| ⑥ Water Force Adjustment Switch         | ⑯ Adjusting Screw           |
| ⑦ Drainer                               | ⑰ Acrylic Bathtub           |
| ⑧ Waterfall                             | ⑱ Acrylic Apron             |
| ⑨ Bubble Bath With LED Multicolor Light | ⑲ Air Pump                  |
| ⑩ Pillow                                | ㉑ Water Pump                |

Power Rating Of Water Pump: 1HP  
Compatible Electricity Standard: 110V/220V, 50Hz/60Hz

**Model: HS-B258**  
**Size: 1500 x 1500 x 750mm**

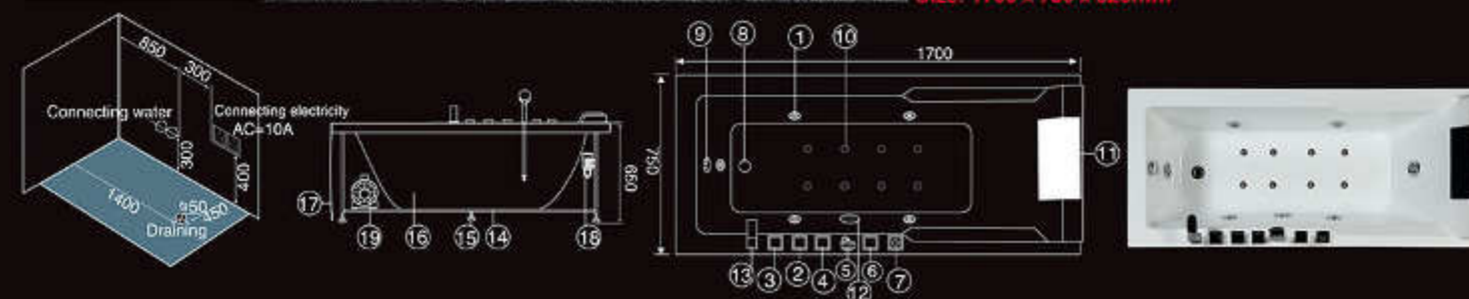


**Main devices**

- |   |                           |
|---|---------------------------|
| ① Massage Jet                           | ⑪ Pillow                  |
| ② Function Changer Switch               | ⑫ Water Suction Device    |
| ③ Cold Water Control                    | ⑬ Waterfall               |
| ④ Hot Water Control                     | ⑭ Stainless Steel Bracket |
| ⑤ Multifunctional Shower Head           | ⑮ Adjusting Screw         |
| ⑥ Water Force Adjustment Switch         | ⑯ Acrylic Bathtub         |
| ⑦ Air Switch                            | ⑰ Acrylic Apron           |
| ⑧ Drainer                               | ⑱ Air Pump                |
| ⑨ Draining Switch                       | ⑲ Water Pump              |
| ⑩ Bubble Bath With LED Multicolor Light |                           |

Power Rating Of Water Pump: 1HP  
Compatible Electricity Standard: 110V/220V, 50Hz/60Hz

**Model: HS-B260**  
**Size: 1700 x 750 x 620mm**



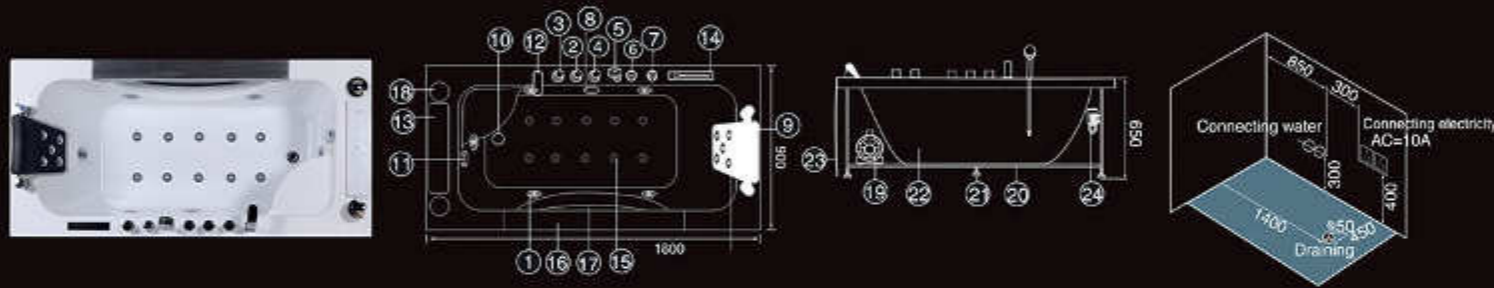


**Model:HS-B261**  
**Size:1800 x 900 x 650mm**

**Main devices**

- |                                 |   |
|---------------------------------|---|
| ① Massage Jet                   | ⑬ LCD TV(with WIFI)                     |
| ② Function Changer Switch       | ⑭ Computerized Control Panel            |
| ③ Cold Water Control            | ⑮ Bubble Bath With LED Multicolor Light |
| ④ Hot Water Control             | ⑯ Aluminium Armrest                     |
| ⑤ Multifunctional Shower Head   | ⑰ Decorative Tempered Glass             |
| ⑥ Water Force Adjustment Switch | ⑱ Speaker                               |
| ⑦ Air Switch                    | ⑲ Water Pump                            |
| ⑧ Water Suction Device          | ⑳ Stainless Steel Bracket               |
| ⑨ Pillow                        | ㉑ Adjusting Screw                       |
| ⑩ Drainer                       | ㉒ Acrylic Bathtub                       |
| ⑪ Draining switch               | ㉓ Acrylic Apron                         |
| ⑫ Waterfall                     | ㉔ Air Pump                              |

Power Rating Of Water Pump: 1HP  
 Compatible Electricity Standard: 110V/220V, 50Hz/60Hz

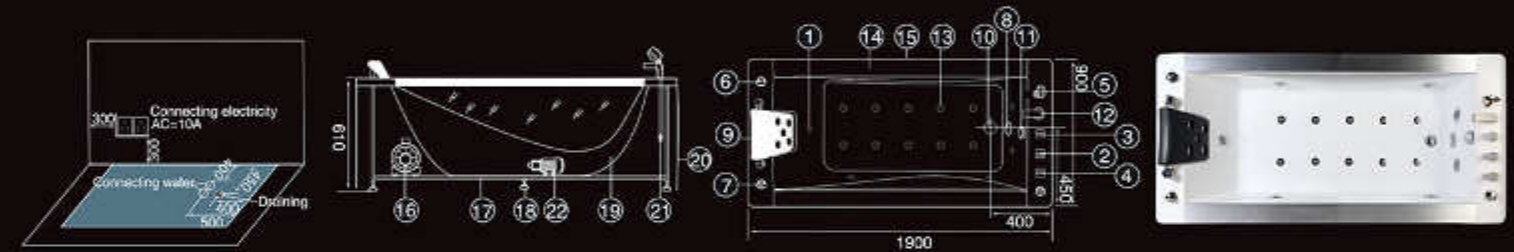


**Model:HS-B262**  
**Size:1900 x 900 x 610mm**

**Main devices**

- |                                 |   |
|---------------------------------|---|
| ① Massage Jet                   | ⑫ Waterfall                             |
| ② Function Changer Switch       | ⑬ Bubble Bath With LED Multicolor Light |
| ③ Cold Water Control            | ⑭ Aluminium Armrest                     |
| ④ Hot Water Control             | ⑮ Decorative Tempered Glass             |
| ⑤ Multifunctional Shower Head   | ⑯ Water Pump                            |
| ⑥ Water Force Adjustment Switch | ⑰ Stainless Steel Bracket               |
| ⑦ Air Switch                    | ⑱ Adjusting Screw                       |
| ⑧ Water Suction Device          | ⑲ Acrylic Bathtub                       |
| ⑨ Pillow                        | ⑳ Acrylic Apron                         |
| ⑩ Drainer                       | ㉑ Shower Hoses                          |
| ⑪ Draining switch               | ㉒ Air Pump                              |

Power Rating Of Water Pump: 1HP  
 Compatible Electricity Standard: 110V/220V, 50Hz/60Hz

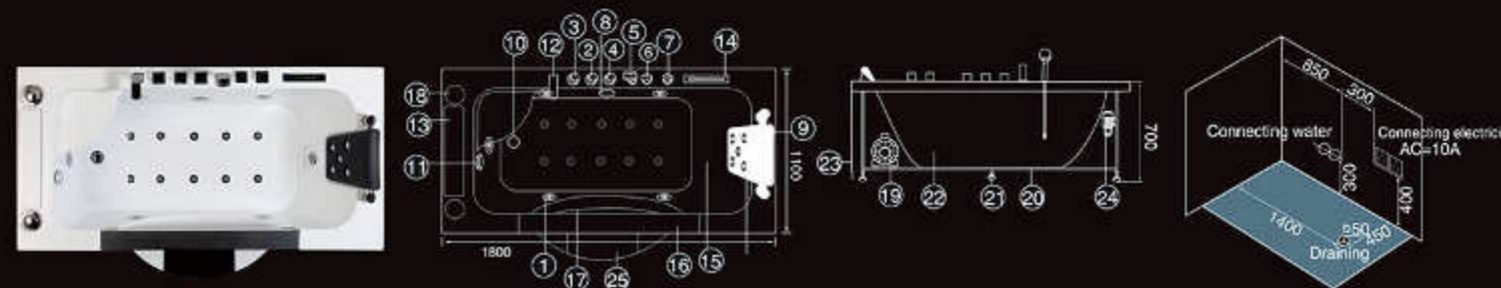


**Main devices**

- |                                 |   |
|---------------------------------|---|
| ① Massage Jet                   | ⑬ LCD TV(with WIFI)                     |
| ② Function Changer Switch       | ⑭ Computerized Control Panel            |
| ③ Cold Water Control            | ⑮ Bubble Bath With LED Multicolor Light |
| ④ Hot Water Control             | ⑯ Aluminium Armrest                     |
| ⑤ Multifunctional Shower Head   | ⑰ Decorative Tempered Glass             |
| ⑥ Water Force Adjustment Switch | ⑱ Speaker                               |
| ⑦ Air Switch                    | ⑲ Water Pump                            |
| ⑧ Water Suction Device          | ⑳ Stainless Steel Bracket               |
| ⑨ Pillow                        | ㉑ Adjusting Screw                       |
| ⑩ Drainer                       | ㉒ Acrylic Bathtub                       |
| ⑪ Draining switch               | ㉓ Acrylic Apron                         |
| ⑫ Waterfall                     | ㉔ Air Pump                              |
|                                 | ㉕ Marble                                |

Power Rating Of Water Pump: 1HP  
 Compatible Electricity Standard: 110V/220V, 50Hz/60Hz

**Model:HS-B261A**  
**Size:1800 x 1100 x 700mm**

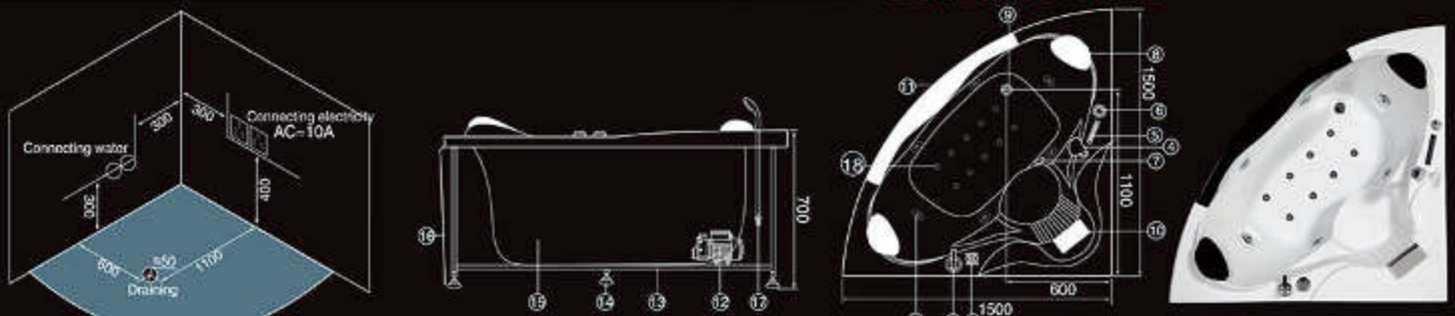


**Main devices**

- |   |                             |
|---|-----------------------------|
| ① Massage Jet                           | ⑩ Waterfall                 |
| ② Function Changer Switch               | ⑪ Decorative Tempered Glass |
| ③ Cold / Hot Water Control              | ⑫ Water Pump                |
| ④ Multifunctional Shower Head           | ⑬ Stainless Steel Bracket   |
| ⑤ Computerized Control Panel            | ⑭ Adjusting Screw           |
| ⑥ Water Force Adjustment Switch         | ⑮ Acrylic Bathtub           |
| ⑦ Water Suction Device                  | ⑯ Acrylic Apron             |
| ⑧ Pillow                                | ⑰ Shower Hoses              |
| ⑨ Drainer                               |                             |
| ⑱ Bubble Bath With LED Multicolor Light |                             |

Power Rating Of Water Pump: 1HP  
 Compatible Electricity Standard: 110V/220V, 50Hz/60Hz

**Model: HS-B263**  
**Size: 1500 x 1500 x 700mm**

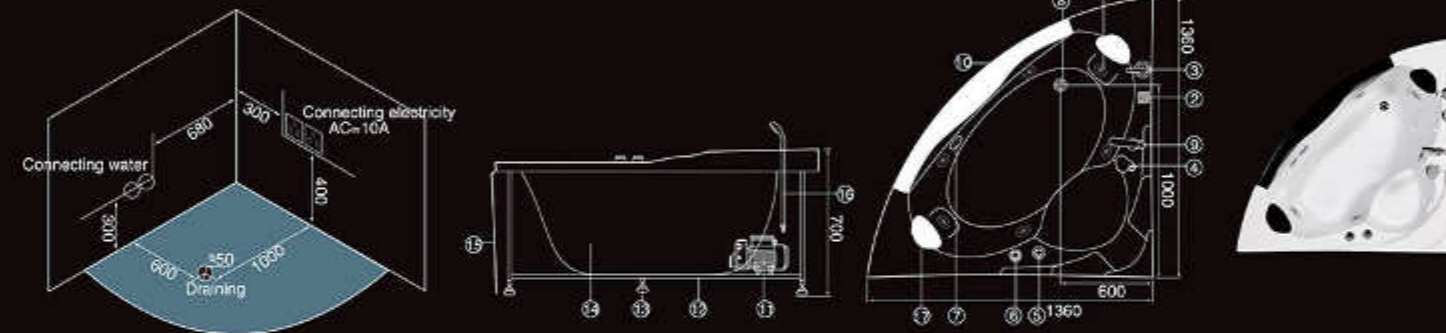


### Main devices

- |                                 |                             |
|---------------------------------|-----------------------------|
| ① Massage Jet                   | ⑩ Decorative Tempered Glass |
| ② Function Changer Switch       | ⑪ Water Pump                |
| ③ Cold / Hot Water Control      | ⑫ Stainless Steel Bracket   |
| ④ Multifunctional Shower Head   | ⑬ Adjusting Screw           |
| ⑤ Air Switch                    | ⑭ Acrylic Bathtub           |
| ⑥ Water Force Adjustment Switch | ⑮ Acrylic Apron             |
| ⑦ Water Suction Device          | ⑯ Shower Hoses              |
| ⑧ Drainer                       | ⑰ Pillow                    |
| ⑨ Waterfall                     |                             |

Power Rating Of Water Pump: 1HP  
Compatible Electricity Standard: 110V/220V, 50Hz/60Hz

Model: HS-B265  
Size: 1360 × 1360 × 700mm

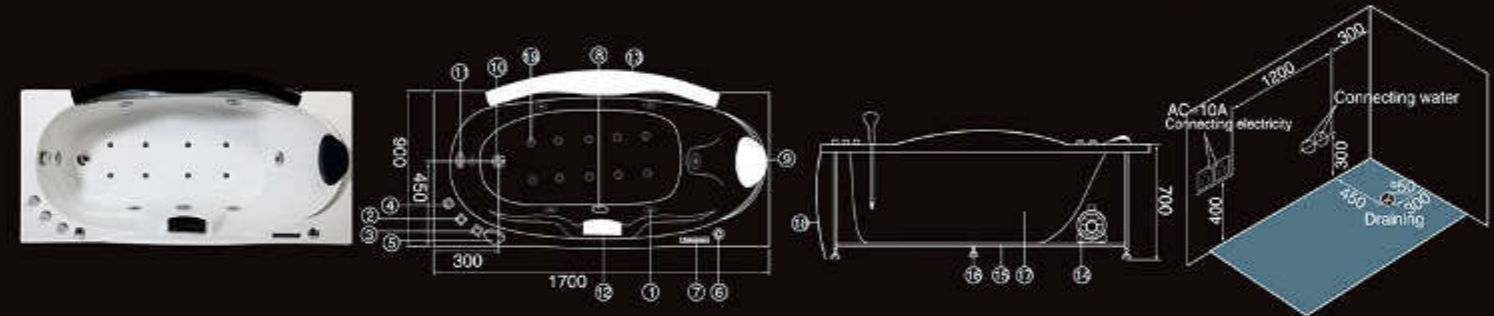


### Main devices

- |   |                             |
|---|-----------------------------|
| ① Massage Jet                           | ⑩ Drainer                   |
| ② Function Changer Switch               | ⑪ Draining switch           |
| ③ Cold Water Control                    | ⑫ Waterfall                 |
| ④ Hot Water Control                     | ⑬ Decorative Tempered Glass |
| ⑤ Multifunctional Shower Head           | ⑭ Water Pump                |
| ⑥ Air Switch                            | ⑮ Stainless Steel Bracket   |
| ⑦ Computerized Control Panel            | ⑯ Adjusting Screw           |
| ⑧ Water Suction Device                  | ⑰ Acrylic Bathtub           |
| ⑨ Pillow                                | ⑱ Acrylic Apron             |
| ⑲ Bubble Bath With LED Multicolor Light |                             |

Power Rating Of Water Pump: 1HP  
Compatible Electricity Standard: 110V/220V, 50Hz/60Hz

Model: HS-B267  
Size: 1700 × 900 × 700mm

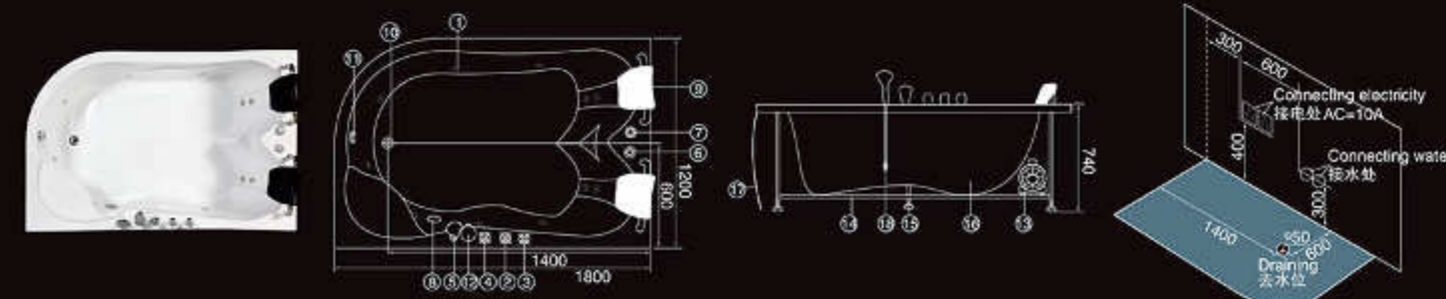


### Main devices

- |                                 |                           |
|---------------------------------|---------------------------|
| ① Massage Jet                   | ⑩ Drainer                 |
| ② Function Changer Switch       | ⑪ Draining switch         |
| ③ Cold Water Control            | ⑫ Waterfall               |
| ④ Hot Water Control             | ⑬ Water Pump              |
| ⑤ Multifunctional Shower Head   | ⑭ Stainless Steel Bracket |
| ⑥ Air Switch                    | ⑮ Adjusting Screw         |
| ⑦ Water Force Adjustment Switch | ⑯ Acrylic Bathtub         |
| ⑧ Water Suction Device          | ⑰ Acrylic Apron           |
| ⑨ Pillow                        | ⑱ Shower Hoses            |

Power Rating Of Water Pump: 1HP  
Compatible Electricity Standard: 110V/220V, 50Hz/60Hz

Model: HS-B266 (left/right)  
Size: 1800 × 1200 × 740mm

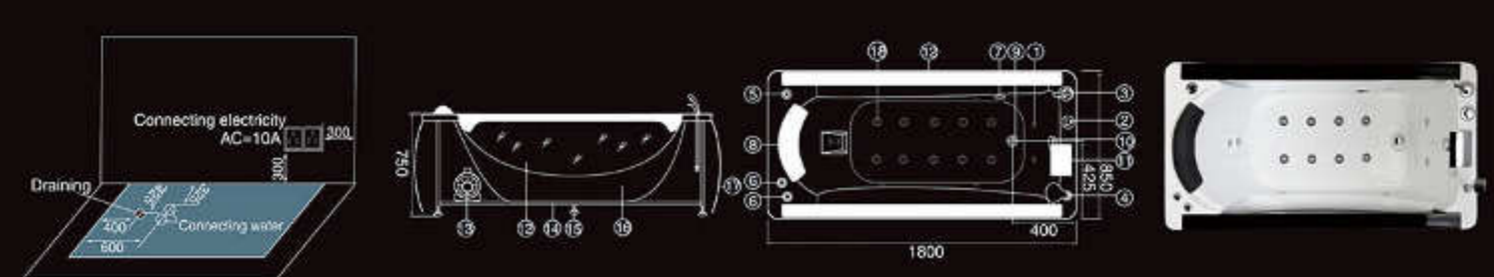


### Main devices

- |                                 |   |
|---------------------------------|---|
| ① Massage Jet                   | ⑩ Draining switch                       |
| ② Function Changer Switch       | ⑪ Waterfall                             |
| ③ Cold / Hot Water Control      | ⑫ Decorative Tempered Glass             |
| ④ Multifunctional Shower Head   | ⑬ Water Pump                            |
| ⑤ Air Switch                    | ⑭ Stainless Steel Bracket               |
| ⑥ Water Force Adjustment Switch | ⑮ Adjusting Screw                       |
| ⑦ Water Suction Device          | ⑯ Acrylic Bathtub                       |
| ⑧ Pillow                        | ⑰ Acrylic Apron                         |
| ⑨ Drainer                       | ⑱ Bubble Bath With LED Multicolor Light |

Power Rating Of Water Pump: 1HP  
Compatible Electricity Standard: 110V/220V, 50Hz/60Hz

Model: HS-B268  
Size: 1600 × 850 × 750mm  
1800 × 850 × 750mm



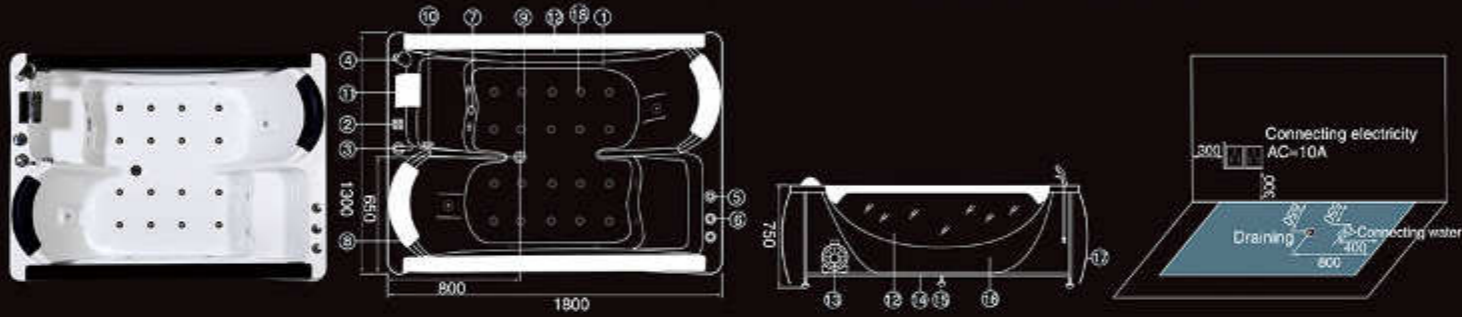


**Main devices**

- |                                 |   |
|---------------------------------|---|
| ① Massage Jet                   | ⑩ Draining switch                       |
| ② Function Changer Switch       | ⑪ Waterfall                             |
| ③ Cold / Hot Water Control      | ⑫ Decorative Tempered Glass             |
| ④ Multifunctional Shower Head   | ⑬ Water Pump                            |
| ⑤ Air Switch                    | ⑭ Stainless Steel Bracket               |
| ⑥ Water Force Adjustment Switch | ⑮ Adjusting Screw                       |
| ⑦ Water Suction Device          | ⑯ Acrylic Bathtub                       |
| ⑧ Pillow                        | ⑰ Acrylic Apron                         |
| ⑨ Drainer                       | ⑱ Bubble Bath With LED Multicolor Light |

Power Rating Of Water Pump: 1HP  
 Compatible Electricity Standard: 110V/220V, 50Hz/60Hz

**Model: HS-B269**  
**Size: 1800 x 1300 x 750mm**

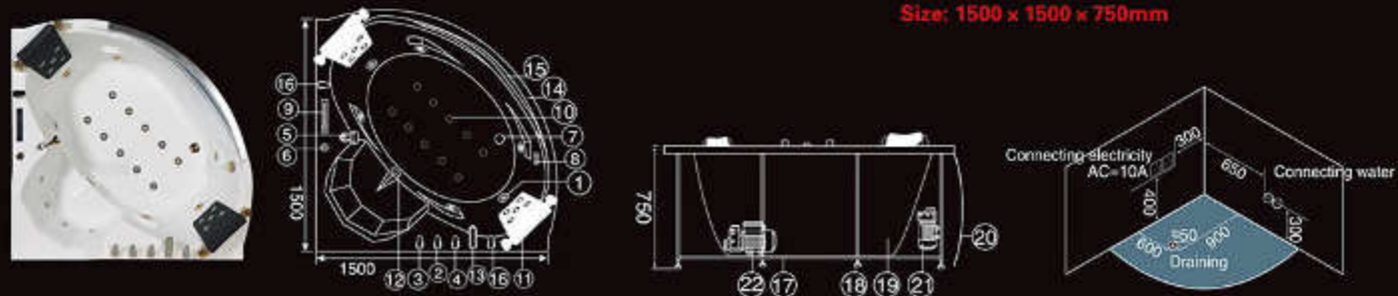


**Main devices**

- |   |                             |
|---|-----------------------------|
| ① Massage Jet                           | ⑫ Water Suction Device      |
| ② Function Changer Switch               | ⑬ Waterfall                 |
| ③ Cold Water Control                    | ⑭ Aluminium Armrest         |
| ④ Hot Water Control                     | ⑮ Decorative Tempered Glass |
| ⑤ Multifunctional Shower Head           | ⑯ back massage switch       |
| ⑥ Water Force Adjustment Switch         | ⑰ Stainless Steel Bracket   |
| ⑦ Drainer                               | ⑱ Adjusting Screw           |
| ⑧ Draining Switch                       | ⑲ Acrylic Bathtub           |
| ⑨ Computerized Control Panel            | ⑳ Acrylic Apron             |
| ⑩ Bubble Bath With LED Multicolor Light | ㉑ Air Pump                  |
| ⑪ Pillow                                | ㉒ Water Pump                |

Power Rating Of Water Pump: 1HP  
 Compatible Electricity Standard: 110V/220V, 50Hz/60Hz

**Model: HS-B271**  
**Size: 1500 x 1500 x 750mm**



Every line is filled with aesthetic Feeling  
 Every piece of product is a piece of art Work  
 Every piece of product has a moving story behind.....



### Main devices

- |                                 |                           |
|---------------------------------|---------------------------|
| ① Massage Jet                   | ⑩ Drainer                 |
| ② Function Changer Switch       | ⑪ Draining switch         |
| ③ Cold Water Control            | ⑫ Waterfall               |
| ④ Hot Water Control             | ⑬ Water Pump              |
| ⑤ Multifunctional Shower Head   | ⑭ Stainless Steel Bracket |
| ⑥ Air Switch                    | ⑮ Adjusting Screw         |
| ⑦ Water Force Adjustment Switch | ⑯ Acrylic Bathtub         |
| ⑧ Water Suction Device          | ⑰ Acrylic Apron           |
| ⑨ Pillow                        | ⑱ Shower Hoses            |

Power Rating Of Water Pump: 1HP  
Compatible Electricity Standard: 110V/220V, 50Hz/60Hz

**Model: HS-B272 (left/right)**  
**Size: 1800 x 850 x 580mm**

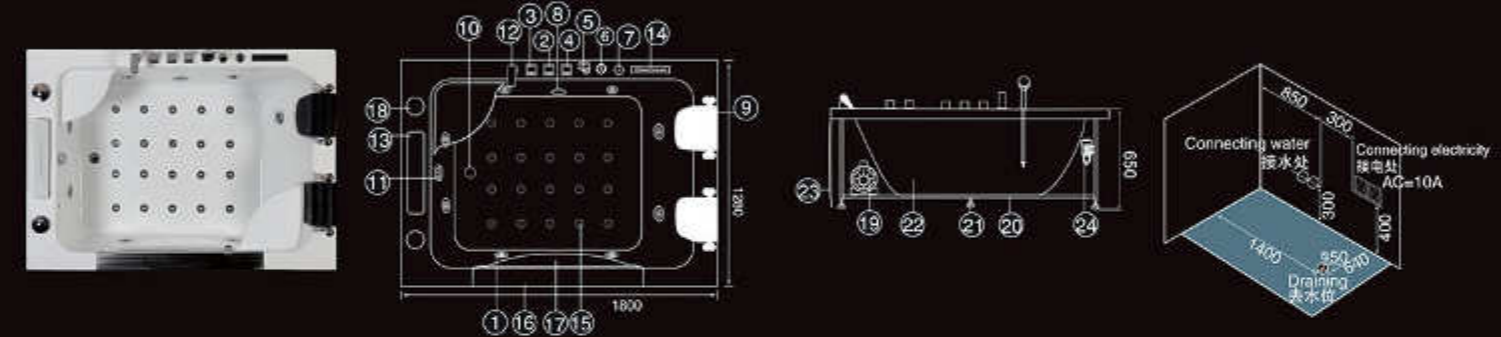
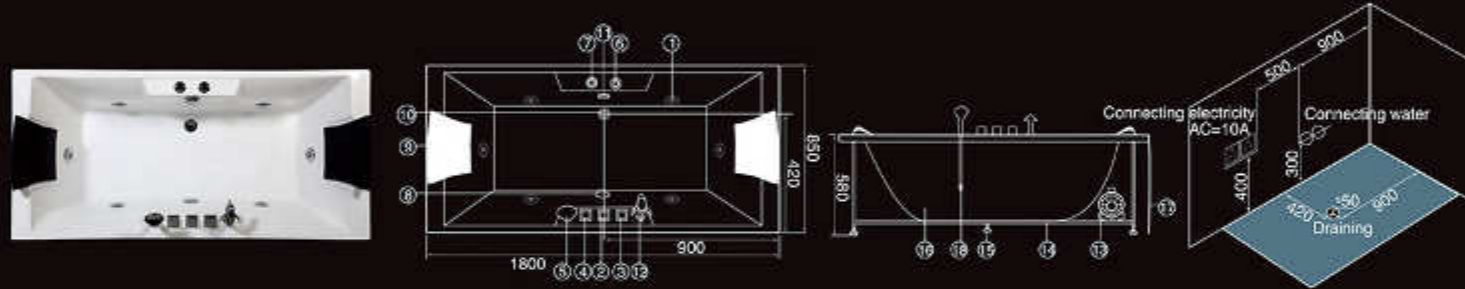


### Main devices

- |                                 |   |
|---------------------------------|---|
| ① Massage Jet                   | ⑬ LCD TV(with WIFI)                     |
| ② Function Changer Switch       | ⑭ Computerized Control Panel            |
| ③ Cold Water Control            | ⑮ Bubble Bath With LED Multicolor Light |
| ④ Hot Water Control             | ⑯ Aluminium Armrest                     |
| ⑤ Multifunctional Shower Head   | ⑰ Decorative Tempered Glass             |
| ⑥ Water Force Adjustment Switch | ⑱ Speaker                               |
| ⑦ Air Switch                    | ⑲ Water Pump                            |
| ⑧ Water Suction Device          | ⑳ Stainless Steel Bracket               |
| ⑨ Pillow                        | ㉑ Adjusting Screw                       |
| ⑩ Drainer                       | ㉒ Acrylic Bathtub                       |
| ⑪ Draining switch               | ㉓ Acrylic Apron                         |
| ⑫ Waterfall                     | ㉔ Air Pump                              |

Power Rating Of Water Pump: 1HP  
Compatible Electricity Standard: 110V/220V, 50Hz/60Hz

**Model: HS-B277**  
**Size: 1800 x 1280 x 650mm**

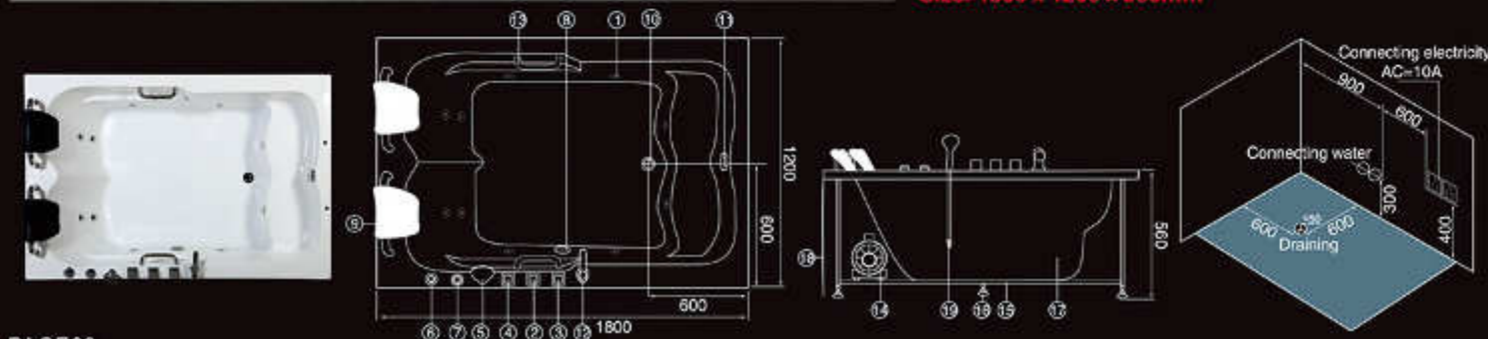


### Main devices

- |                                 |                           |
|---------------------------------|---------------------------|
| ① Massage Jet                   | ⑩ Drainer                 |
| ② Function Changer Switch       | ⑪ Draining switch         |
| ③ Cold Water Control            | ⑫ Waterfall               |
| ④ Hot Water Control             | ⑬ Stainless Steel Armrest |
| ⑤ Multifunctional Shower Head   | ⑭ Water Pump              |
| ⑥ Air Switch                    | ⑮ Stainless Steel Bracket |
| ⑦ Water Force Adjustment Switch | ⑯ Adjusting Screw         |
| ⑧ Water Suction Device          | ⑰ Acrylic Bathtub         |
| ⑨ Pillow                        | ⑱ Acrylic Apron           |
|                                 | ⑲ Shower Hoses            |

Power Rating Of Water Pump: 1HP  
Compatible Electricity Standard: 110V/220V, 50Hz/60Hz

**Model: HS-B275 (left/right)**  
**Size: 1800 x 1200 x 560mm**

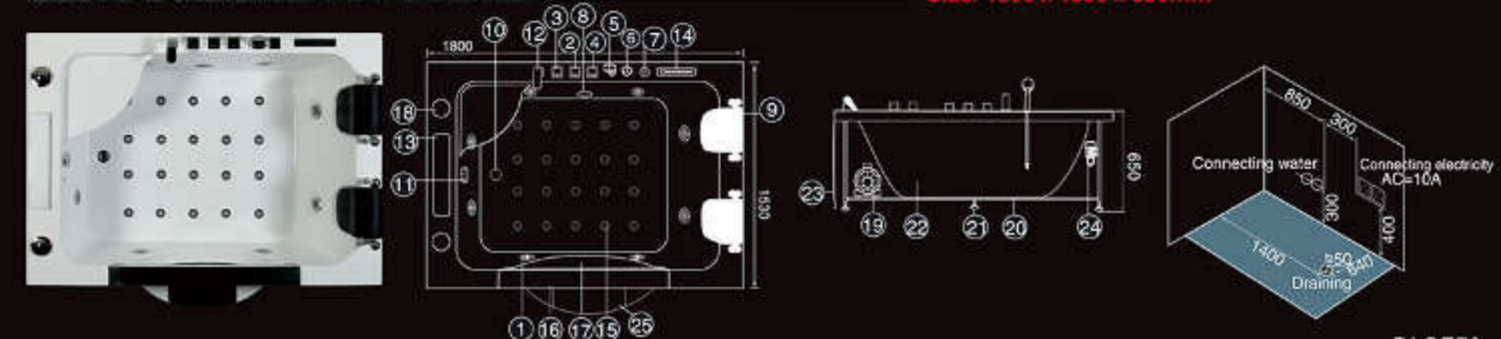


### Main devices

- |                                 |   |
|---------------------------------|---|
| ① Massage Jet                   | ⑬ LCD TV(with WIFI)                     |
| ② Function Changer Switch       | ⑭ Computerized Control Panel            |
| ③ Cold Water Control            | ⑮ Bubble Bath With LED Multicolor Light |
| ④ Hot Water Control             | ⑯ Aluminium Armrest                     |
| ⑤ Multifunctional Shower Head   | ⑰ Decorative Tempered Glass             |
| ⑥ Water Force Adjustment Switch | ⑱ Speaker                               |
| ⑦ Air Switch                    | ⑲ Water Pump                            |
| ⑧ Water Suction Device          | ⑳ Stainless Steel Bracket               |
| ⑨ Pillow                        | ㉑ Adjusting Screw                       |
| ⑩ Drainer                       | ㉒ Acrylic Bathtub                       |
| ⑪ Draining switch               | ㉓ Acrylic Apron                         |
| ⑫ Waterfall                     | ㉔ Air Pump                              |
|                                 | ㉕ Marble                                |

Power Rating Of Water Pump: 1HP  
Compatible Electricity Standard: 110V/220V, 50Hz/60Hz

**Model: HS-B277A**  
**Size: 1800 x 1530 x 650mm**



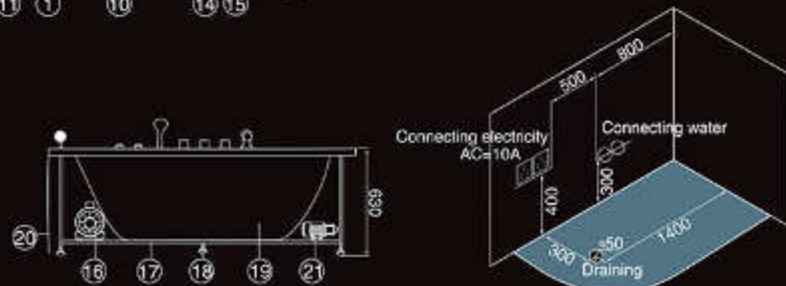
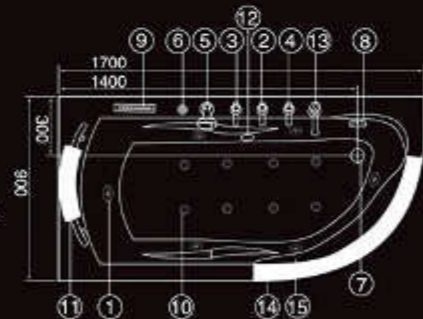


**Model: HS-B279 (left/right)**  
**Size: 1600 × 800 × 630mm**  
**1700 × 800 × 630mm**

**Main devices**

- |   |                             |
|---|-----------------------------|
| ① Massage Jet                           | ⑫ Water Suction Device      |
| ② Function Changer Switch               | ⑬ water fall                |
| ③ Cold Water Control                    | ⑭ Acrylic Armrest           |
| ④ Hot Water Control                     | ⑮ Decorative Tempered Glass |
| ⑤ Multifunctional Shower Head           | ⑯ Water Pump                |
| ⑥ Water Force Adjustment Switch         | ⑰ Stainless Steel Bracket   |
| ⑦ Drainer                               | ⑱ Adjusting Screw           |
| ⑧ Draining Switch                       | ⑲ Acrylic Bathtub           |
| ⑨ Computerized Control Panel            | ⑳ Acrylic Apron             |
| ⑩ Bubble Bath With LED Multicolor Light | ㉑ Air Pump                  |
| ⑪ Pillow                                |                             |

Power Rating Of Water Pump: 1HP  
 Compatible Electricity Standard: 110V/220V, 50Hz/60Hz

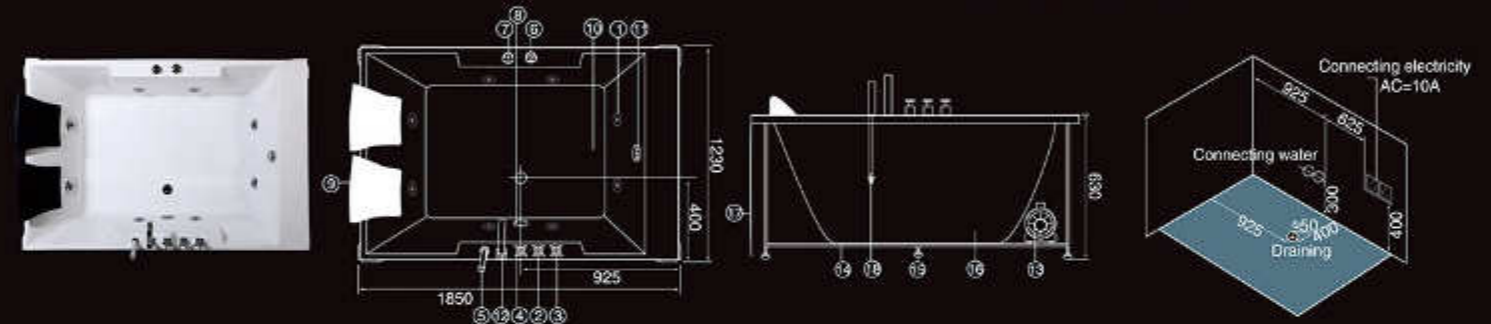


**Main devices**

- |                                 |                           |
|---------------------------------|---------------------------|
| ① Massage Jet                   | ⑩ Drainer                 |
| ② Function Changer Switch       | ⑪ Draining switch         |
| ③ Cold Water Control            | ⑫ Waterfall               |
| ④ Hot Water Control             | ⑬ Water Pump              |
| ⑤ Multifunctional Shower Head   | ⑭ Stainless Steel Bracket |
| ⑥ Air Switch                    | ⑮ Adjusting Screw         |
| ⑦ Water Force Adjustment Switch | ⑯ Acrylic Bathtub         |
| ⑧ Water Suction Device          | ⑰ Acrylic Apron           |
| ⑨ Pillow                        | ⑱ Shower Hoses            |

Power Rating Of Water Pump: 1HP  
 Compatible Electricity Standard: 110V/220V, 50Hz/60Hz

**Model: HS-B281**  
**Size: 1850 × 1230 × 630mm**

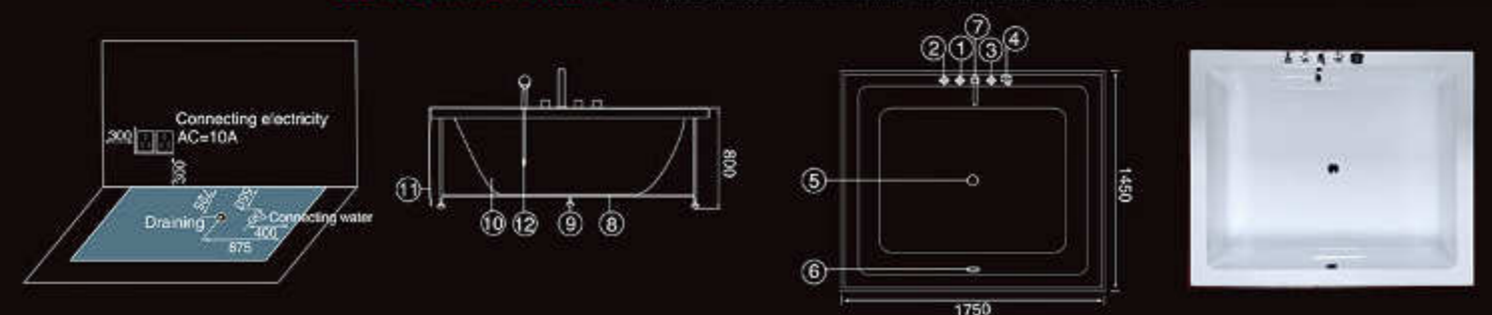


**Main devices**

- |                               |                    |
|-------------------------------|--------------------|
| ① Function Changer Switch     | ⑩ Acrylic Bathtub  |
| ② Cold Water Control          | ⑪ Solid Wood Apron |
| ③ Hot Water Control           | ⑫ Shower Hoses     |
| ④ Multifunctional Shower Head |                    |
| ⑤ Drainer                     |                    |
| ⑥ Draining switch             |                    |
| ⑦ Waterfall                   |                    |
| ⑧ Stainless Steel Bracket     |                    |
| ⑨ Adjusting Screw             |                    |

Power Rating Of Water Pump: 1HP  
 Compatible Electricity Standard: 110V/220V, 50Hz/60Hz

**Model: HS-B282**  
**Size: 1750 × 1450 × 800mm**





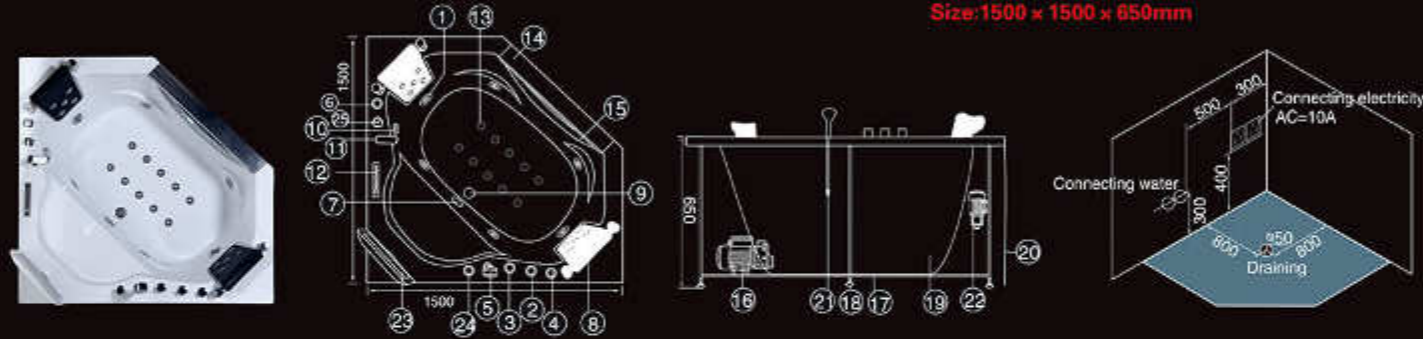


**Main devices**

- |                                 |   |
|---------------------------------|---|
| ① Massage Jet                   | ⑫ Computerized Control Panel            |
| ② Function Changer Switch       | ⑬ Bubble Bath With LED Multicolor Light |
| ③ Cold Water Control            | ⑭ Stainless Steel Armrest               |
| ④ Hot Water Control             | ⑮ Decorative Tempered Glass             |
| ⑤ Multifunctional Shower Head   | ⑯ Water Pump                            |
| ⑥ Water Force Adjustment Switch | ⑰ Stainless Steel Bracket               |
| ⑦ Water Suction Device          | ⑱ Adjusting Screw                       |
| ⑧ Pillow                        | ⑲ Acrylic Bathtub                       |
| ⑨ Drainer                       | ⑳ Acrylic Apron                         |
| ⑩ Draining switch               | ㉑ Shower Hoses                          |
| ⑪ Waterfall                     | ㉒ Air Pump                              |
| ㉓ LCD TV(with WIFI)             | ㉔ BackMassage Switch                    |
|                                 | ㉕ Air Switch                            |

Power Rating Of Water Pump: 1HP  
Compatible Electricity Standard: 110V/220V, 50Hz/60Hz

**Model:HS-B286**  
**Size:1500 x 1500 x 650mm**

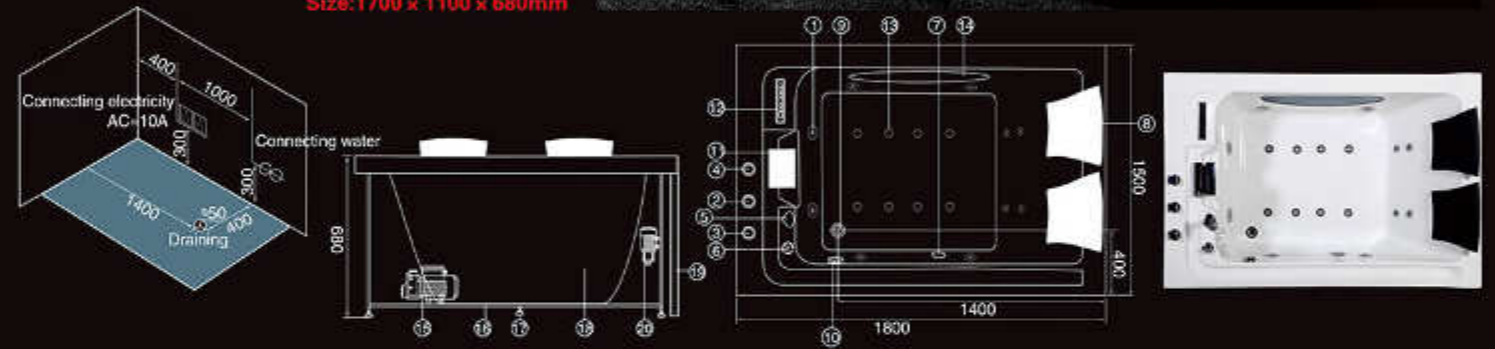


**Main devices**

- |                                 |   |
|---------------------------------|---|
| ① Massage Jet                   | ⑪ Waterfall                             |
| ② Function Changer Switch       | ⑫ Computerized Control Panel            |
| ③ Cold Water Control            | ⑬ Bubble Bath With LED Multicolor Light |
| ④ Hot Water Control             | ⑭ Decorative Tempered Glass             |
| ⑤ Multifunctional Shower Head   | ⑮ Water Pump                            |
| ⑥ Water Force Adjustment Switch | ⑯ Stainless Steel Bracket               |
| ⑦ Water Suction Device          | ⑰ Adjusting Screw                       |
| ⑧ Pillow                        | ⑱ Acrylic Bathtub                       |
| ⑨ Drainer                       | ⑲ Acrylic Apron                         |
| ⑩ Draining switch               | ⑳ Air Pump                              |

Power Rating Of Water Pump: 1HP  
Compatible Electricity Standard: 110V/220V, 50Hz/60Hz

**Model:HS-B287**  
**Size:1700 x 1100 x 680mm**

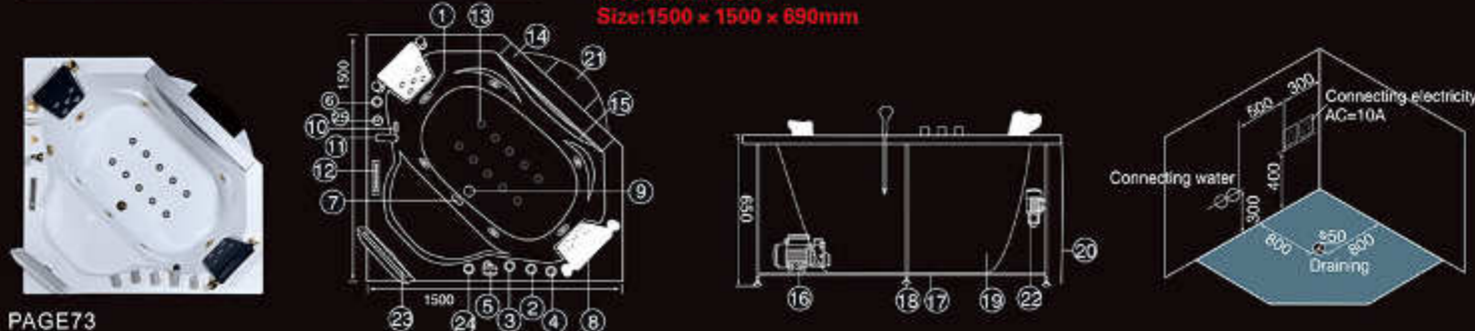


**Main devices**

- |                                 |   |
|---------------------------------|---|
| ① Massage Jet                   | ⑫ Computerized Control Panel            |
| ② Function Changer Switch       | ⑬ Bubble Bath With LED Multicolor Light |
| ③ Cold Water Control            | ⑭ Stainless Steel Armrest               |
| ④ Hot Water Control             | ⑮ Decorative Tempered Glass             |
| ⑤ Multifunctional Shower Head   | ⑯ Water Pump                            |
| ⑥ Water Force Adjustment Switch | ⑰ Stainless Steel Bracket               |
| ⑦ Water Suction Device          | ⑱ Adjusting Screw                       |
| ⑧ Pillow                        | ⑲ Acrylic Bathtub                       |
| ⑨ Drainer                       | ⑳ Acrylic Apron                         |
| ⑩ Draining switch               | ㉑ Marble                                |
| ⑪ Waterfall                     | ㉒ Air Pump                              |
| ㉓ LCD TV(with WIFI)             | ㉔ BackMassage Switch                    |
|                                 | ㉕ Air Switch                            |

Power Rating Of Water Pump: 1HP  
Compatible Electricity Standard: 110V/220V, 50Hz/60Hz

**Model:HS-B286A**  
**Size:1500 x 1500 x 690mm**

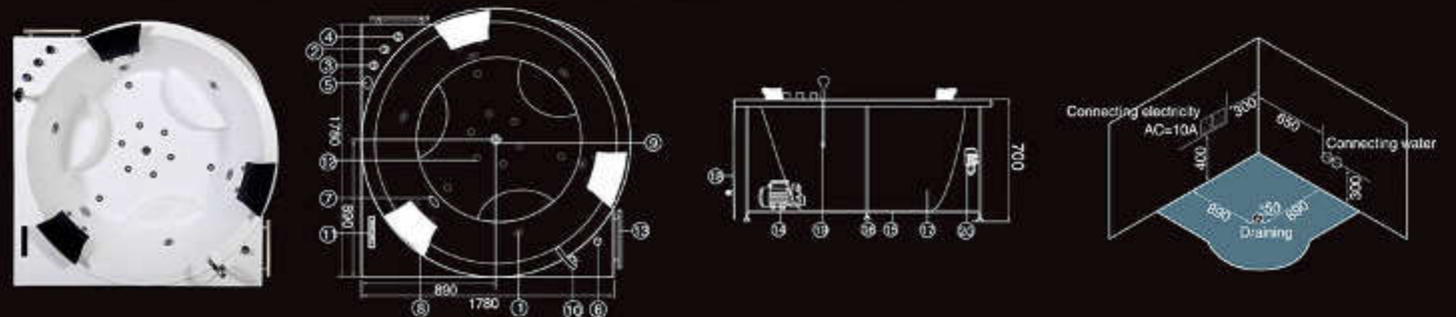


**Main devices**

- |                                 |   |
|---------------------------------|---|
| ① Massage Jet                   | ⑪ Computerized Control Panel            |
| ② Function Changer Switch       | ⑫ Bubble Bath With LED Multicolor Light |
| ③ Cold Water Control            | ⑬ Stainless Steel Towel Rail            |
| ④ Hot Water Control             | ⑭ Water Pump                            |
| ⑤ Multifunctional Shower Head   | ⑮ Stainless Steel Bracket               |
| ⑥ Water Force Adjustment Switch | ⑯ Adjusting Screw                       |
| ⑦ Water Suction Device          | ⑰ Acrylic Bathtub                       |
| ⑧ Pillow                        | ⑱ Acrylic Apron                         |
| ⑨ Drainer                       | ⑲ Shower Hoses                          |
| ⑩ Waterfall                     | ⑳ Air Pump                              |

Power Rating Of Water Pump: 1.5HP  
Compatible Electricity Standard: 110V/220V, 50Hz/60Hz

**Model:HS-B288**  
**Size:1780 x 1780 x 700mm**



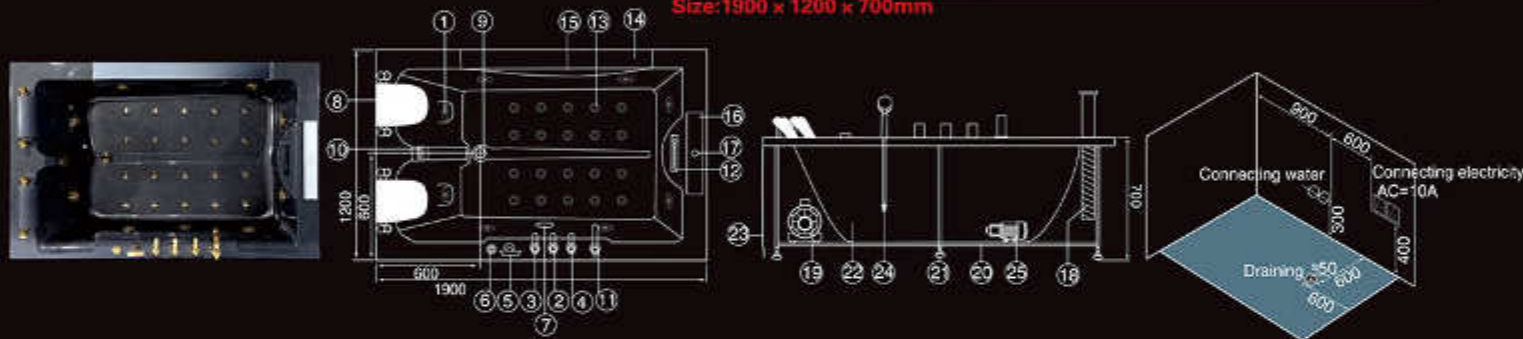


**Main devices**

- |   |                             |
|---|-----------------------------|
| ① Massage Jet                           | ⑭ Aluminium Armrest         |
| ② Function Changer Switch               | ⑮ Decorative Tempered Glass |
| ③ Cold Water Control                    | ⑯ LCD TV(with WIFI)         |
| ④ Hot Water Control                     | ⑰ Lift Button               |
| ⑤ Multifunctional Shower Head           | ⑱ TV Lift System            |
| ⑥ Water Force Adjustment Switch         | ⑲ Water Pump                |
| ⑦ Water Suction Device                  | ⑳ Stainless Steel Bracket   |
| ⑧ Pillow                                | ㉑ Adjusting Screw           |
| ⑨ Drainer                               | ㉒ Acrylic Bathtub           |
| ⑩ Draining switch                       | ㉓ Acrylic Apron             |
| ⑪ water fall                            | ㉔ Shower Hoses              |
| ⑫ Computerized Control Panel            | ㉕ Air Pump                  |
| ⑬ Bubble Bath With LED Multicolor Light |                             |

Power Rating Of Water Pump: 1HP  
Compatible Electricity Standard: 110V/220V, 50Hz/60Hz

**Model:HS-B289**  
**Size:1900 x 1200 x 700mm**

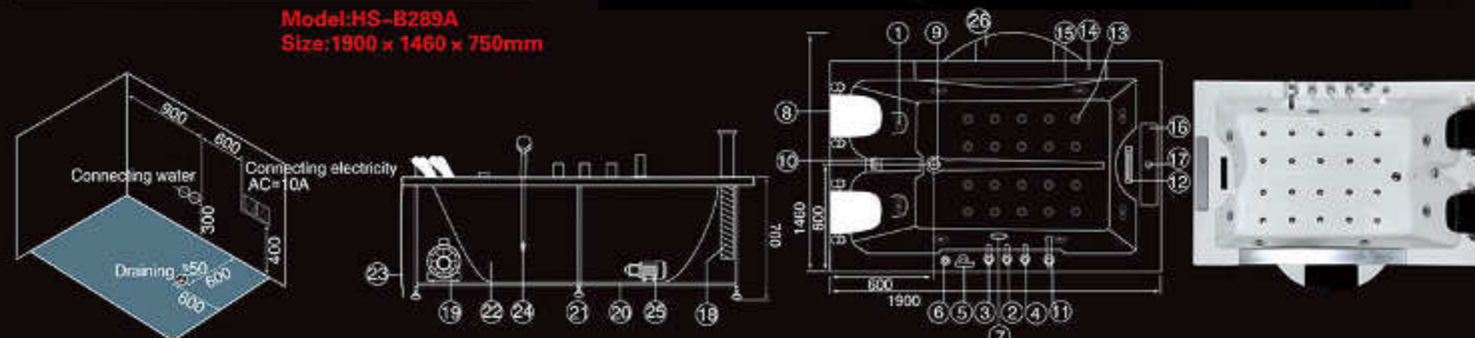


**Main devices**

- |   |                             |
|---|-----------------------------|
| ① Massage Jet                           | ⑭ Aluminium Armrest         |
| ② Function Changer Switch               | ⑮ Decorative Tempered Glass |
| ③ Cold Water Control                    | ⑯ LCD TV(with WIFI)         |
| ④ Hot Water Control                     | ⑰ Lift Button               |
| ⑤ Multifunctional Shower Head           | ⑱ TV Lift System            |
| ⑥ Water Force Adjustment Switch         | ⑲ Water Pump                |
| ⑦ Water Suction Device                  | ⑳ Stainless Steel Bracket   |
| ⑧ Pillow                                | ㉑ Adjusting Screw           |
| ⑨ Drainer                               | ㉒ Acrylic Bathtub           |
| ⑩ Draining switch                       | ㉓ Acrylic Apron             |
| ⑪ water fall                            | ㉔ Shower Hoses              |
| ⑫ Computerized Control Panel            | ㉕ Air Pump                  |
| ⑬ Bubble Bath With LED Multicolor Light | ㉖ Marble                    |

Power Rating Of Water Pump: 1HP  
Compatible Electricity Standard: 110V/220V, 50Hz/60Hz

**Model:HS-B289A**  
**Size:1900 x 1460 x 750mm**



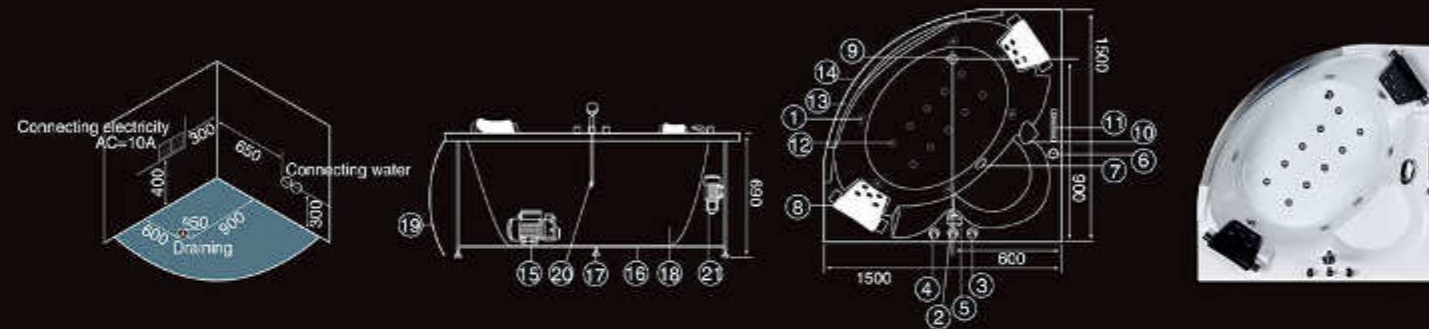
Keeping up with the trend of bathroom.  
We supply exquisite sanitary wares, We provide many choices  
and creative spaces—in the fashion museum.  
You will find the work of inspiration, and your favorite sanitary world.

**Main devices**

- |                                 |   |
|---------------------------------|---|
| ① Massage Jet                   | ⑫ Bubble Bath With LED Multicolor Light |
| ② Function Changer Switch       | ⑬ Aluminium Armrest                     |
| ③ Cold Water Control            | ⑭ Decorative Tempered Glass             |
| ④ Hot Water Control             | ⑮ Water Pump                            |
| ⑤ Multifunctional Shower Head   | ⑯ Stainless Steel Bracket               |
| ⑥ Water Force Adjustment Switch | ⑰ Adjusting Screw                       |
| ⑦ Water Suction Device          | ⑱ Acrylic Bathtub                       |
| ⑧ Pillow                        | ⑲ Acrylic Apron                         |
| ⑨ Drainer                       | ⑳ Shower Hoses                          |
| ⑩ Waterfall                     | ㉑ Air Pump                              |
| ⑪ Computerized Control Panel    |   |

Power Rating Of Water Pump: 1HP  
Compatible Electricity Standard: 110V/220V, 50Hz/60Hz

**Model:HS-B290**  
**Size:1500 x 1500 x 690mm**

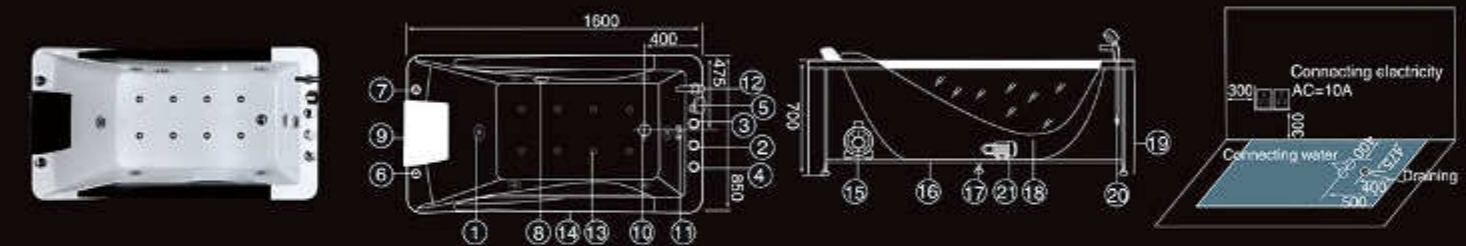


**Main devices**

- |                                 |   |
|---------------------------------|---|
| ① Massage Jet                   | ⑫ Waterfall                             |
| ② Function Changer Switch       | ⑬ Bubble Bath With LED Multicolor Light |
| ③ Cold Water Control            | ⑭ Decorative Tempered Glass             |
| ④ Hot Water Control             | ⑮ Water Pump                            |
| ⑤ Multifunctional Shower Head   | ⑯ Stainless Steel Bracket               |
| ⑥ Water Force Adjustment Switch | ⑰ Adjusting Screw                       |
| ⑦ Air Switch                    | ⑱ Acrylic Bathtub                       |
| ⑧ Water Suction Device          | ⑲ Acrylic Apron                         |
| ⑨ Pillow                        | ⑳ Shower Hoses                          |
| ⑩ Drainer                       | ㉑ Air Pump                              |
| ⑪ Draining switch               |   |

Power Rating Of Water Pump: 1HP  
Compatible Electricity Standard: 110V/220V, 50Hz/60Hz

**Model:HS-B291**  
**Size:1700 x 850 x 700mm**

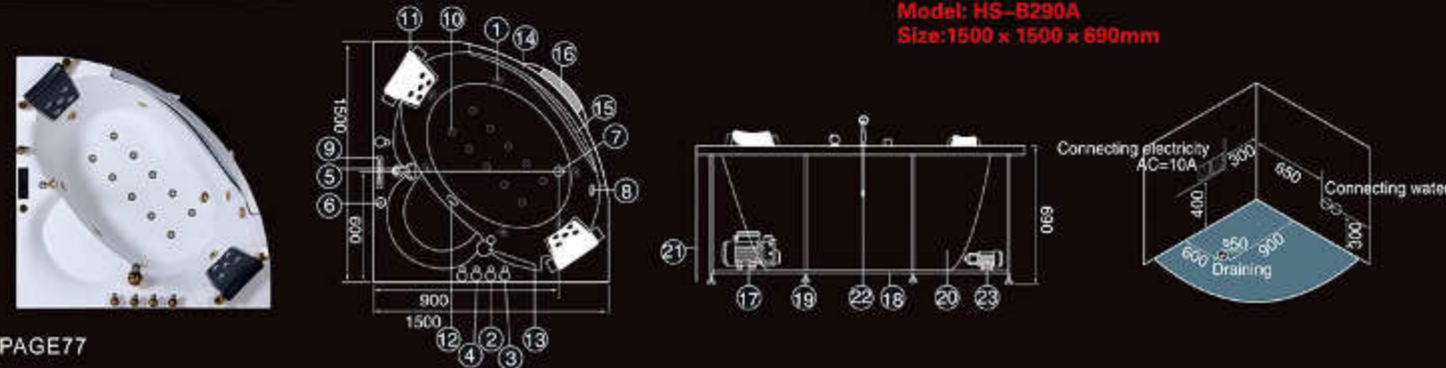


**Main devices**

- |   |                             |
|---|-----------------------------|
| ① Massage Jet                           | ⑫ Water Suction Device      |
| ② Function Changer Switch               | ⑬ Waterfall                 |
| ③ Cold Water Control                    | ⑭ Aluminium Armrest         |
| ④ Hot Water Control                     | ⑮ Decorative Tempered Glass |
| ⑤ Multifunctional Shower Head           | ⑯ Marble                    |
| ⑥ Water Force Adjustment Switch         | ⑰ Water Pump                |
| ⑦ Drainer                               | ⑱ Stainless Steel Bracket   |
| ⑧ Draining Switch                       | ⑲ Adjusting Screw           |
| ⑨ Computerized Control Panel            | ⑳ Acrylic Bathtub           |
| ⑩ Bubble Bath With LED Multicolor Light | ㉑ Acrylic Apron             |
| ⑪ Pillow                                | ㉒ Shower Hoses              |
|   | ㉓ Air Pump                  |

Power Rating Of Water Pump: 1HP  
Compatible Electricity Standard: 110V/220V, 50Hz/60Hz

**Model: HS-B290A**  
**Size:1500 x 1500 x 690mm**

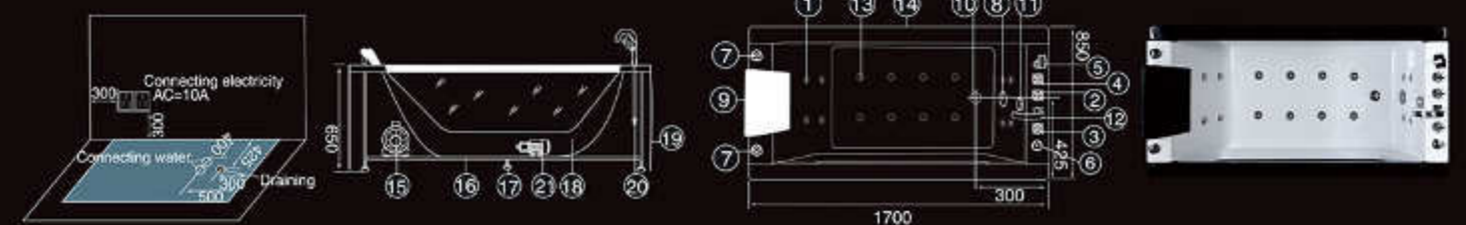


**Main devices**

- |                                 |   |
|---------------------------------|---|
| ① Massage Jet                   | ⑫ Waterfall                             |
| ② Function Changer Switch       | ⑬ Bubble Bath With LED Multicolor Light |
| ③ Cold Water Control            | ⑭ Decorative Tempered Glass             |
| ④ Hot Water Control             | ⑮ Water Pump                            |
| ⑤ Multifunctional Shower Head   | ⑯ Stainless Steel Bracket               |
| ⑥ Water Force Adjustment Switch | ⑰ Adjusting Screw                       |
| ⑦ Air Switch                    | ⑱ Acrylic Bathtub                       |
| ⑧ Water Suction Device          | ⑲ Acrylic Apron                         |
| ⑨ Pillow                        | ⑳ Shower Hoses                          |
| ⑩ Drainer                       | ㉑ Air Pump                              |
| ⑪ Draining switch               |   |

Power Rating Of Water Pump: 1HP  
Compatible Electricity Standard: 110V/220V, 50Hz/60Hz

**Model:HS-B292**  
**Size:1700 x 850 x 650mm**



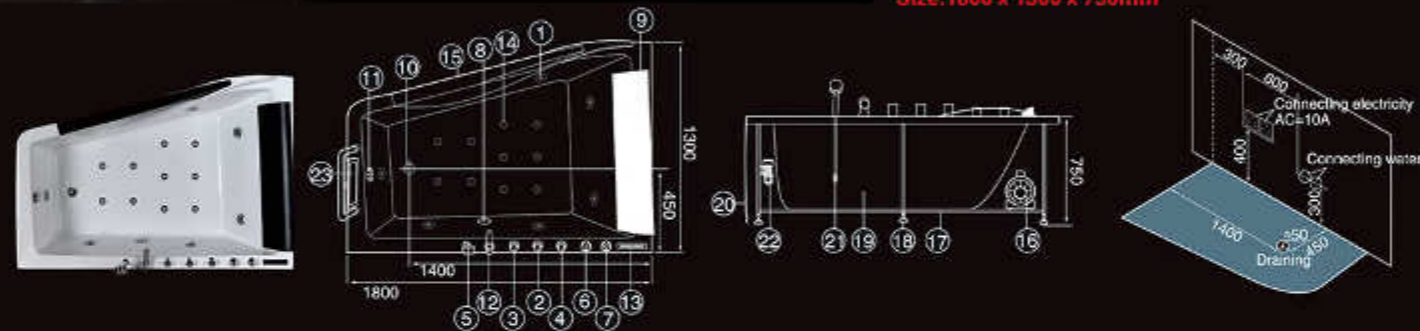


**Main devices**

- |                                 |   |
|---------------------------------|---|
| ① Massage Jet                   | ⑫ Waterfall                             |
| ② Function Changer Switch       | ⑬ Computerized Control Panel            |
| ③ Cold Water Control            | ⑭ Bubble Bath With LED Multicolor Light |
| ④ Hot Water Control             | ⑮ Decorative Tempered Glass             |
| ⑤ Multifunctional Shower Head   | ⑯ Water Pump                            |
| ⑥ Water Force Adjustment Switch | ⑰ Stainless Steel Bracket               |
| ⑦ Air Switch                    | ⑱ Adjusting Screw                       |
| ⑧ Water Suction Device          | ⑲ Acrylic Bathtub                       |
| ⑨ Pillow                        | ⑳ Acrylic Apron                         |
| ⑩ Drainer                       | ㉑ Shower Hoses                          |
| ⑪ Draining switch               | ㉒ Air Pump                              |
|                                 | ㉓ LCD TV                                |

Power Rating Of Water Pump: 1HP  
Compatible Electricity Standard: 110V/220V, 50Hz/60Hz

**Model:HS-B293**  
**Size:1800 × 1300 × 750mm**

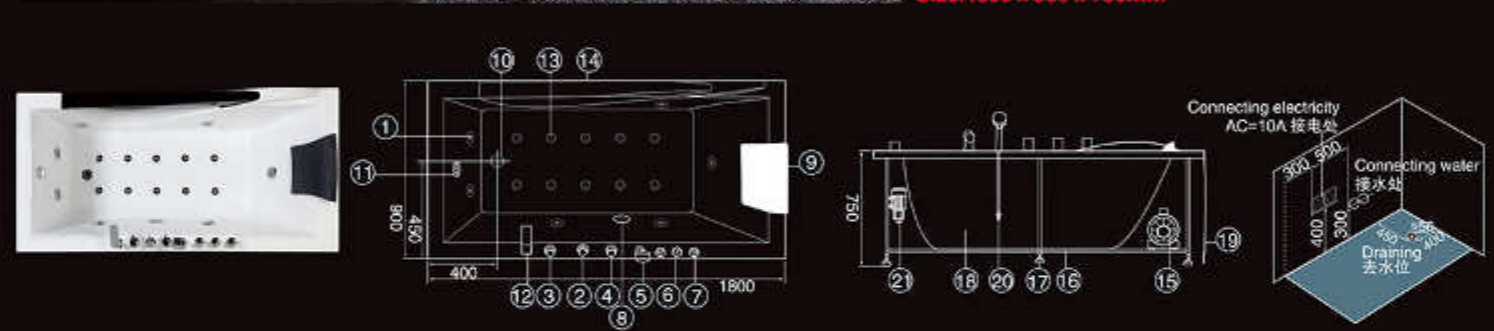


**Main devices**

- |                                 |   |
|---------------------------------|---|
| ① Massage Jet                   | ⑫ Waterfall                             |
| ② Function Changer Switch       | ⑬ Bubble Bath With LED Multicolor Light |
| ③ Cold Water Control            | ⑭ Decorative Tempered Glass             |
| ④ Hot Water Control             | ⑮ Water Pump                            |
| ⑤ Multifunctional Shower Head   | ⑯ Stainless Steel Bracket               |
| ⑥ Water Force Adjustment Switch | ⑰ Adjusting Screw                       |
| ⑦ Air Switch                    | ⑱ Acrylic Bathtub                       |
| ⑧ Water Suction Device          | ⑲ Acrylic Apron                         |
| ⑨ Pillow                        | ⑳ Shower Hoses                          |
| ⑩ Drainer                       | ㉑ Air Pump                              |
| ⑪ Draining switch               |   |

Power Rating Of Water Pump: 1HP  
Compatible Electricity Standard: 110V/220V, 50Hz/60Hz

**Model:HS-B296**  
**Size:1800 × 900 × 750mm**

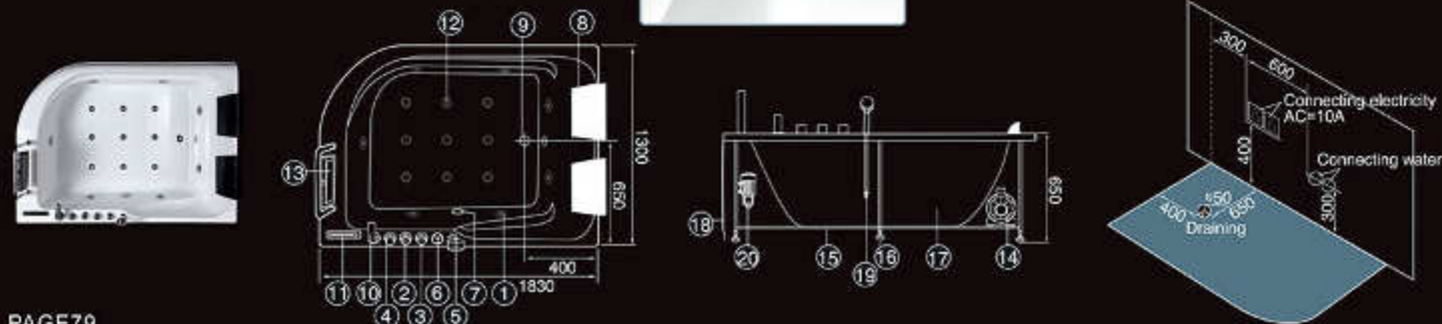


**Main devices**

- |                                 |   |
|---------------------------------|---|
| ① Massage Jet                   | ⑪ Computerized Control Panel            |
| ② Function Changer Switch       | ⑫ Bubble Bath With LED Multicolor Light |
| ③ Cold Water Control            | ⑬ LCD TV                                |
| ④ Hot Water Control             | ⑭ Water Pump                            |
| ⑤ Multifunctional Shower Head   | ⑮ Stainless Steel Bracket               |
| ⑥ Water Force Adjustment Switch | ⑯ Adjusting Screw                       |
| ⑦ Water Suction Device          | ⑰ Acrylic Bathtub                       |
| ⑧ Pillow                        | ⑱ Acrylic Apron                         |
| ⑨ Drainer                       | ⑲ Shower Hoses                          |
| ⑩ Waterfall                     | ⑳ Air Pump                              |

Power Rating Of Water Pump: 1HP  
Compatible Electricity Standard: 110V/220V, 50Hz/60Hz

**Model:HS-B295**  
**Size:1830 × 1300 × 650mm**

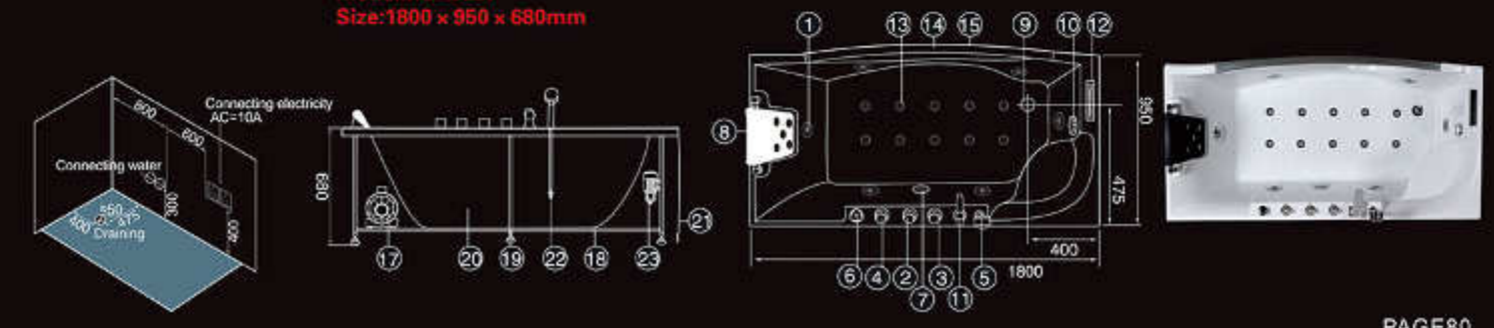


**Main devices**

- |                                 |   |
|---------------------------------|---|
| ① Massage Jet                   | ⑬ Bubble Bath With LED Multicolor Light |
| ② Function Changer Switch       | ⑭ Aluminium Armrest                     |
| ③ Cold Water Control            | ⑮ Decorative Tempered Glass             |
| ④ Hot Water Control             | ⑯ DVD                                   |
| ⑤ Multifunctional Shower Head   | ⑰ Water Pump                            |
| ⑥ Water Force Adjustment Switch | ⑱ Stainless Steel Bracket               |
| ⑦ Water Suction Device          | ⑲ Adjusting Screw                       |
| ⑧ Pillow                        | ⑳ Acrylic Bathtub                       |
| ⑨ Drainer                       | ㉑ Acrylic Apron                         |
| ⑩ Draining switch               | ㉒ Shower Hoses                          |
| ⑪ Waterfall                     | ㉓ Air Pump                              |
| ⑫ Computerized Control Panel    |   |

Power Rating Of Water Pump: 1HP  
Compatible Electricity Standard: 110V/220V, 50Hz/60Hz

**Model:HS-B297**  
**Size:1800 × 950 × 680mm**

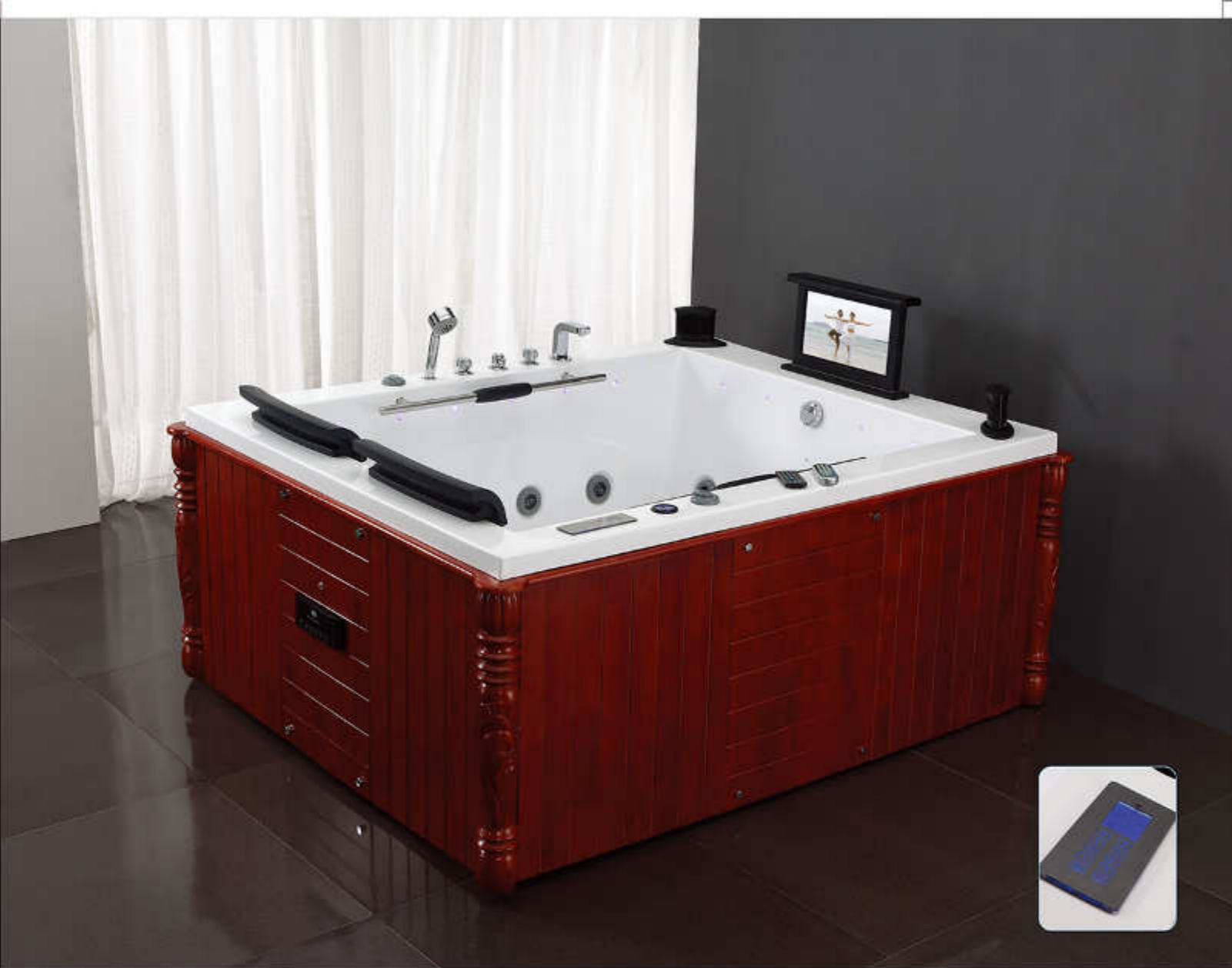
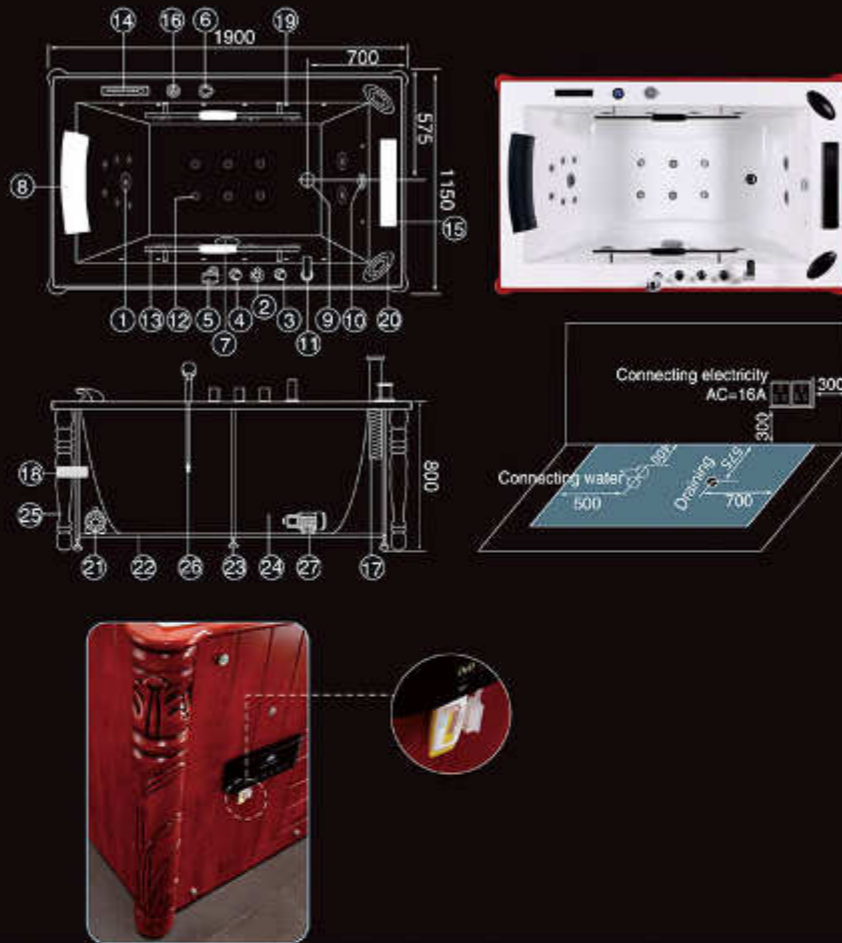


**Model:HS-B298**  
**Size:1900 x 1150 x 800mm**

**Main devices**

- |   |                           |
|---|---------------------------|
| ① Massage Jet                           | ⑮ LCD TV                  |
| ② Function Changer Switch               | ⑯ LCD TV Moving Botton    |
| ③ Cold Water Control                    | ⑰ LCD TV Moving System    |
| ④ Hot Water Control                     | ⑱ DVD                     |
| ⑤ Multifunctional Shower Head           | ⑲ LED Multicolor Light    |
| ⑥ Water Force Adjustment Switch         | ⑳ Speaker                 |
| ⑦ Water Suction Device                  | ㉑ Water Pump              |
| ⑧ Pillow                                | ㉒ Stainless Steel Bracket |
| ⑨ Drainer                               | ㉓ Adjusting Screw         |
| ⑩ Draining Switch                       | ㉔ Acrylic Bathtub         |
| ⑪ Waterfall                             | ㉕ Solid Wood Apron        |
| ⑫ Bubble Bath With LED Multicolor Light | ㉖ Shower Hoses            |
| ⑬ Stainless Steel Armrest               | ㉗ Air Pump                |
| ⑭ Computerized Control Panel            |                           |

Power Rating Of Water Pump: 1HP  
 Compatible Electricity Standard: 110V/220V, 50Hz/60Hz

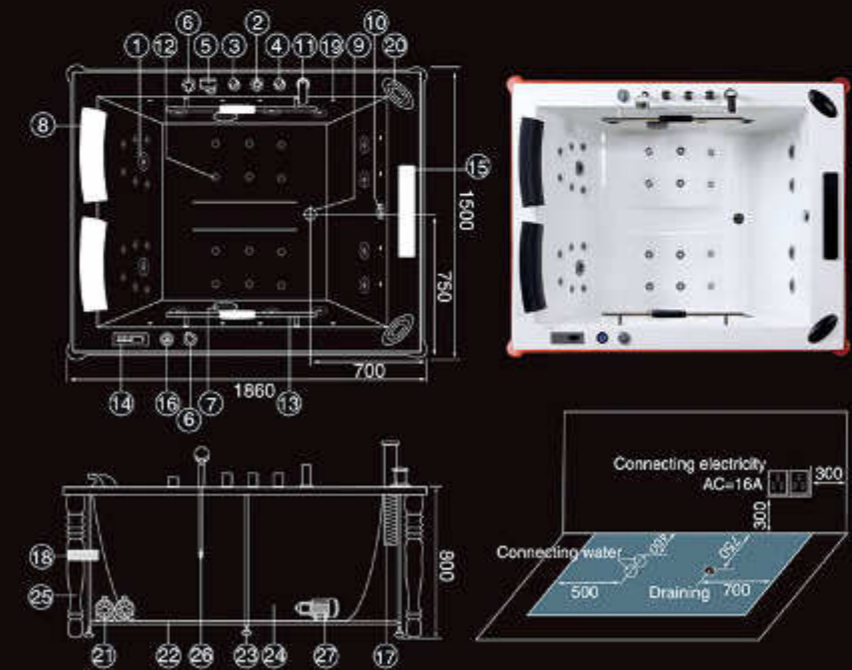


**Model:HS-B299**  
**Size:1860 x 1500 x 800mm**

**Main devices**

- |   |                           |
|---|---------------------------|
| ① Massage Jet                           | ⑮ LCD TV                  |
| ② Function Changer Switch               | ⑯ LCD TV Moving Botton    |
| ③ Cold Water Control                    | ⑰ LCD TV Moving System    |
| ④ Hot Water Control                     | ⑱ DVD                     |
| ⑤ Multifunctional Shower Head           | ⑲ LED Multicolor Light    |
| ⑥ Water Force Adjustment Switch         | ⑳ Speaker                 |
| ⑦ Water Suction Device                  | ㉑ Water Pump              |
| ⑧ Pillow                                | ㉒ Stainless Steel Bracket |
| ⑨ Drainer                               | ㉓ Adjusting Screw         |
| ⑩ Draining Switch                       | ㉔ Acrylic Bathtub         |
| ⑪ Waterfall                             | ㉕ Solid Wood Apron        |
| ⑫ Bubble Bath With LED Multicolor Light | ㉖ Shower Hoses            |
| ⑬ Stainless Steel Armrest               | ㉗ Air Pump                |
| ⑭ Computerized Control Panel            |                           |

Power Rating Of Water Pump: 1HP  
 Compatible Electricity Standard: 110V/220V, 50Hz/60Hz



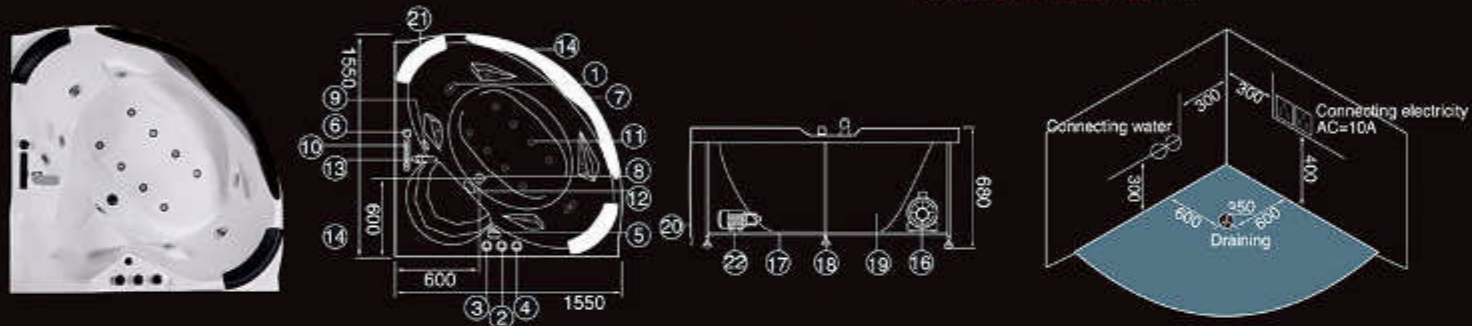


**Main devices**

- |   |                           |
|---|---------------------------|
| ① Massage Jet                           | ⑫ Water Suction Device    |
| ② Function Changer Switch               | ⑬ Waterfall               |
| ③ Cold Water Control                    | ⑭ Armrest                 |
| ④ Hot Water Control                     | ⑮ DVD                     |
| ⑤ Multifunctional Shower Head           | ⑯ Water Pump              |
| ⑥ Water Force Adjustment Switch         | ⑰ Stainless Steel Bracket |
| ⑦ Decorative Tempered Glass             | ⑱ Adjusting Screw         |
| ⑧ Drainer                               | ⑲ Acrylic Bathtub         |
| ⑨ Draining Switch                       | ⑳ Acrylic Apron           |
| ⑩ Computerized Control Panel            | ㉑ Pillow                  |
| ⑪ Bubble Bath With LED Multicolor Light | ㉒ Air Pump                |

Power Rating Of Water Pump: 1HP  
Compatible Electricity Standard: 110V/220V, 50Hz/60Hz

**Model:HS-B301**  
**Size:1550 x 1550 x 680mm**

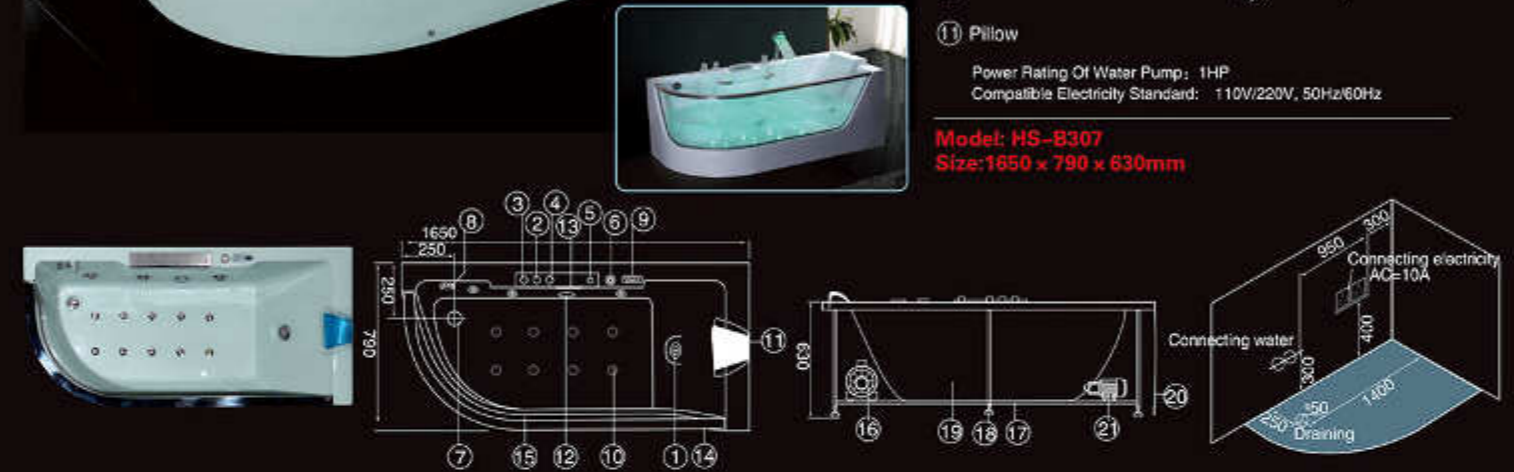


**Main devices**

- |   |                           |
|---|---------------------------|
| ① Massage Jet                           | ⑫ Water Suction Device    |
| ② Function Changer Switch               | ⑬ Waterfall               |
| ③ Cold Water Control                    | ⑭ Stainless Steel Armrest |
| ④ Hot Water Control                     | ⑮ Transparent Acrylic     |
| ⑤ Multifunctional Shower Head           | ⑯ Water Pump              |
| ⑥ Water Force Adjustment Switch         | ⑰ Stainless Steel Bracket |
| ⑦ Drainer                               | ⑱ Adjusting Screw         |
| ⑧ Draining Switch                       | ⑲ Acrylic Bathtub         |
| ⑨ Computerized Control Panel            | ⑳ Acrylic Apron           |
| ⑩ Bubble Bath With LED Multicolor Light | ㉑ Air Pump                |
| ⑪ Pillow                                |                           |

Power Rating Of Water Pump: 1HP  
Compatible Electricity Standard: 110V/220V, 50Hz/60Hz

**Model: HS-B307**  
**Size:1650 x 790 x 630mm**

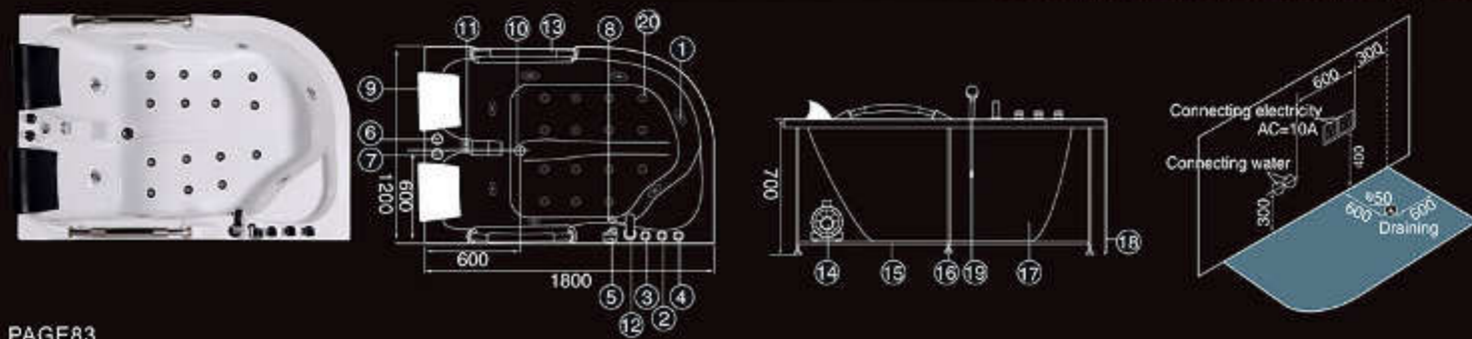


**Main devices**

- |                                 |   |
|---------------------------------|---|
| ① Massage Jet                   | ⑪ Draining Switch                       |
| ② Function Changer Switch       | ⑫ Waterfall                             |
| ③ Cold Water Control            | ⑬ Stainless Steel Armrest               |
| ④ Hot Water Control             | ⑭ Water Pump                            |
| ⑤ Multifunctional Shower Head   | ⑮ Stainless Steel Bracket               |
| ⑥ Air Switch                    | ⑯ Adjusting Screw                       |
| ⑦ Water Force Adjustment Switch | ⑰ Acrylic Bathtub                       |
| ⑧ Water Suction Device          | ⑱ Acrylic Apron                         |
| ⑨ Pillow                        | ⑲ Shower Hoses                          |
| ⑩ Drainer                       | ㉑ Bubble Bath With LED Multicolor Light |

Power Rating Of Water Pump: 1HP  
Compatible Electricity Standard: 110V/220V, 50Hz/60Hz

**Model:HS-B302**  
**Size:1800 x 1200 x 700mm**

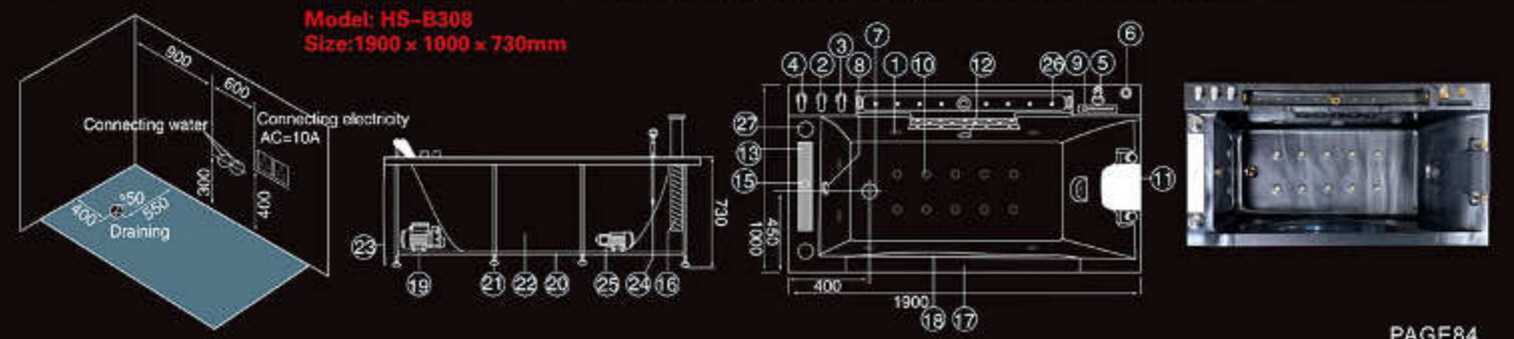


**Main devices**

- |   |                             |
|---|-----------------------------|
| ① Massage Jet                           | ⑭ DVD                       |
| ② Function Changer Switch               | ⑮ Lift Button               |
| ③ Cold Water Control                    | ⑯ TV Lift System            |
| ④ Hot Water Control                     | ⑰ Aluminium Armrest         |
| ⑤ Multifunctional Shower Head           | ⑱ Decorative Tempered Glass |
| ⑥ Water Force Adjustment Switch         | ⑲ Water Pump                |
| ⑦ Drainer                               | ⑳ Stainless Steel Bracket   |
| ⑧ Draining Switch                       | ㉑ Adjusting Screw           |
| ⑨ Computerized Control Panel            | ㉒ Acrylic Bathtub           |
| ⑩ Bubble Bath With LED Multicolor Light | ㉓ Acrylic Apron             |
| ⑪ Pillow                                | ㉔ Shower Hoses              |
| ⑫ Water Suction Device                  | ㉕ Air Pump                  |
| ⑬ LCD TV                                | ㉖ LED Light                 |
|   | ㉗ Speaker                   |

Power Rating Of Water Pump: 1HP  
Compatible Electricity Standard: 110V/220V, 50Hz/60Hz

**Model: HS-B308**  
**Size:1900 x 1000 x 730mm**



---

Technology and fashion are the theme of this space. Let mood change in company with water flowing sound. In romantic rhythm, you can find true meaning of beauty.

**Main devices**

- |   |                           |
|---|---------------------------|
| ① Massage Jet                           | ⑪ Water Suction Device    |
| ② Function Changer Switch               | ⑫ Waterfall               |
| ③ Cold Water Control                    | ⑬ Stainless Steel Armrest |
| ④ Hot Water Control                     | ⑭ Transparent Acrylic     |
| ⑤ Multifunctional Shower Head           | ⑮ Water Pump              |
| ⑥ Water Force Adjustment Switch         | ⑯ Stainless Steel Bracket |
| ⑦ Drainer                               | ⑰ Adjusting Screw         |
| ⑧ Computerized Control Panel            | ⑱ Acrylic Bathtub         |
| ⑨ Bubble Bath With LED Multicolor Light | ⑲ Acrylic Apron           |
| ⑩ Pillow                                | ⑳ Air Pump                |

Power Rating Of Water Pump: 1HP  
Compatible Electricity Standard: 110V/220V, 50Hz/60Hz

**Model: HS-B309**  
**Size:1380 × 1380 × 720mm**

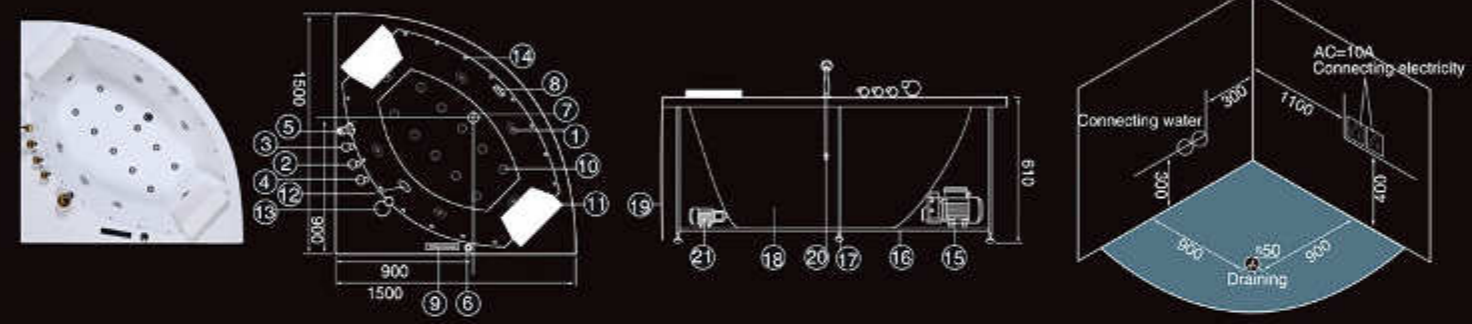
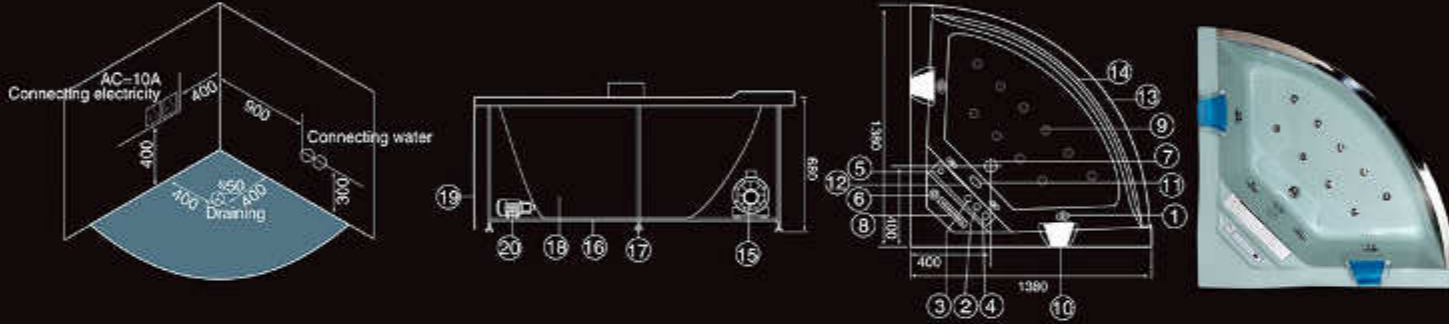


**Main devices**

- |   |                           |
|---|---------------------------|
| ① Massage Jet                           | ⑫ Water Suction Device    |
| ② Function Changer Switch               | ⑬ Waterfall               |
| ③ Cold Water Control                    | ⑭ LED Light               |
| ④ Hot Water Control                     | ⑮ Water Pump              |
| ⑤ Multifunctional Shower Head           | ⑯ Stainless Steel Bracket |
| ⑥ Water Force Adjustment Switch         | ⑰ Adjusting Screw         |
| ⑦ Drainer                               | ⑱ Acrylic Bathtub         |
| ⑧ Draining Switch                       | ⑲ Acrylic Apron           |
| ⑨ Computerized Control Panel            | ⑳ Shower Hoses            |
| ⑩ Bubble Bath With LED Multicolor Light | ㉑ Air Pump                |
| ⑪ Pillow                                |                           |

Power Rating Of Water Pump: 1HP  
Compatible Electricity Standard: 110V/220V, 50Hz/60Hz

**Model: HS-B311**  
**Size:1500 × 1500 × 610mm**

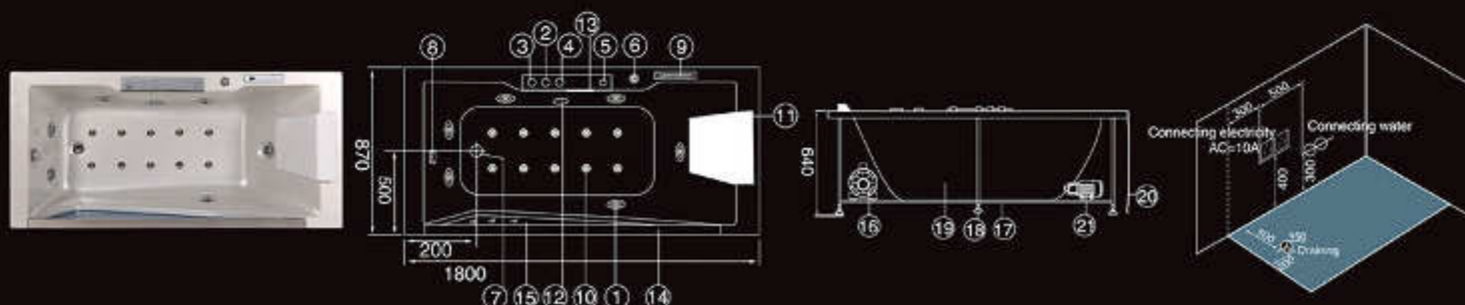


**Main devices**

- |   |                             |
|---|-----------------------------|
| ① Massage Jet                           | ⑫ Water Suction Device      |
| ② Function Changer Switch               | ⑬ Waterfall                 |
| ③ Cold Water Control                    | ⑭ Stainless Steel Armrest   |
| ④ Hot Water Control                     | ⑮ Decorative Tempered Glass |
| ⑤ Multifunctional Shower Head           | ⑯ Water Pump                |
| ⑥ Water Force Adjustment Switch         | ⑰ Stainless Steel Bracket   |
| ⑦ Drainer                               | ⑱ Adjusting Screw           |
| ⑧ Draining Switch                       | ⑲ Acrylic Bathtub           |
| ⑨ Computerized Control Panel            | ⑳ Acrylic Apron             |
| ⑩ Bubble Bath With LED Multicolor Light | ㉑ Air Pump                  |
| ⑪ Pillow                                |                             |

Power Rating Of Water Pump: 1HP  
Compatible Electricity Standard: 110V/220V, 50Hz/60Hz

**Model: HS-B310**  
**Size:1800 × 870 × 640mm**

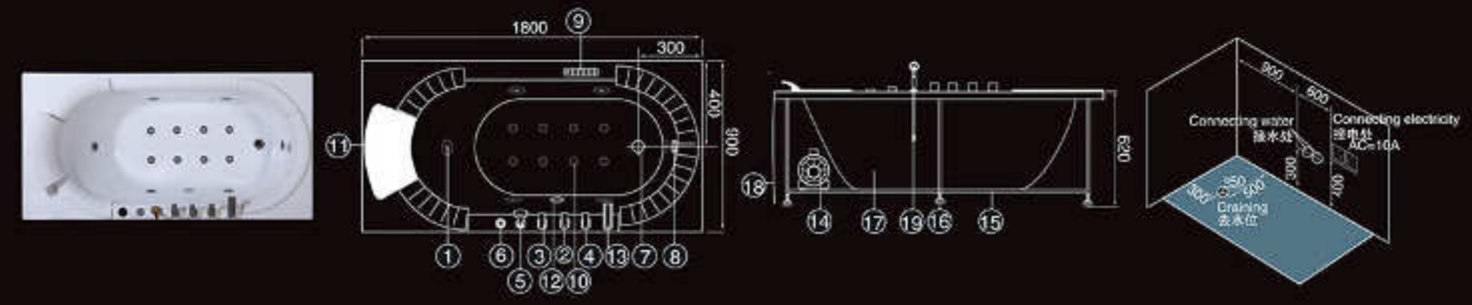


**Main devices**

- |   |                           |
|---|---------------------------|
| ① Massage Jet                           | ⑪ Pillow                  |
| ② Function Changer Switch               | ⑫ Water Suction Device    |
| ③ Cold Water Control                    | ⑬ Waterfall               |
| ④ Hot Water Control                     | ⑭ Water Pump              |
| ⑤ Multifunctional Shower Head           | ⑮ Stainless Steel Bracket |
| ⑥ Water Force Adjustment Switch         | ⑯ Adjusting Screw         |
| ⑦ Drainer                               | ⑰ Acrylic Bathtub         |
| ⑧ Draining Switch                       | ⑱ Acrylic Apron           |
| ⑨ Computerized Control Panel            | ⑲ Shower Hoses            |
| ⑩ Bubble Bath With LED Multicolor Light |                           |

Power Rating Of Water Pump: 1HP  
Compatible Electricity Standard: 110V/220V, 50Hz/60Hz

**Model: HS-B312**  
**Size:1800 × 900 × 620mm**







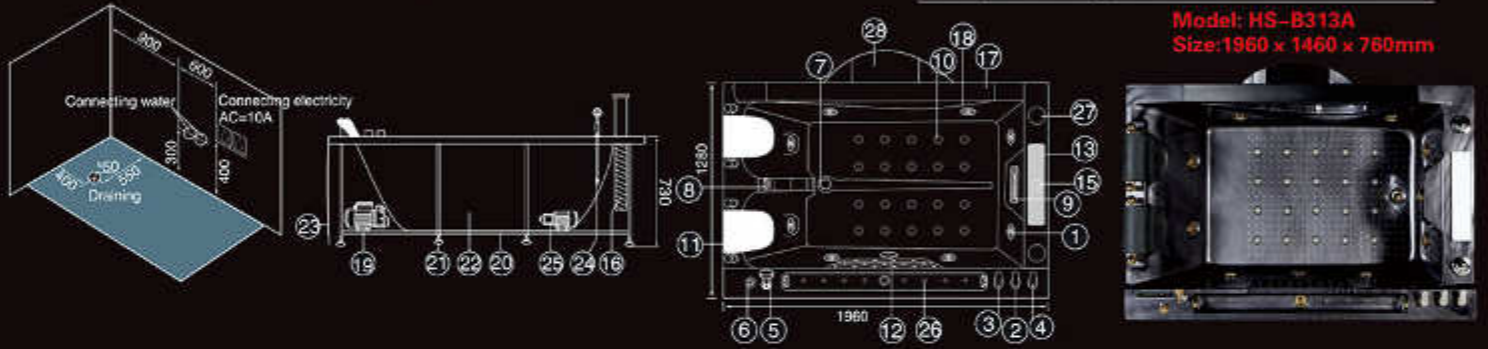
USB Flash Drive

**Main devices**

- |   |                             |
|---|-----------------------------|
| ① Massage Jet                           | ⑩ Lift Button               |
| ② Function Changer Switch               | ⑪ TV Lift System            |
| ③ Cold Water Control                    | ⑫ Aluminium Armrest         |
| ④ Hot Water Control                     | ⑬ Decorative Tempered Glass |
| ⑤ Multifunctional Shower Head           | ⑭ Water Pump                |
| ⑥ Water Force Adjustment Switch         | ⑮ Stainless Steel Bracket   |
| ⑦ Drainer                               | ⑯ Adjusting Screw           |
| ⑧ Draining Switch                       | ⑰ Acrylic Bathtub           |
| ⑨ Computerized Control Panel            | ⑱ Acrylic Apron             |
| ⑩ Bubble Bath With LED Multicolor Light | ⑲ Shower Hoses              |
| ⑪ Pillow                                | ⑳ Air Pump                  |
| ⑫ Water Suction Device                  | ㉑ LED Light                 |
| ⑬ LCD TV                                | ㉒ Speaker                   |
| ⑭ DVD                                   | ㉓ Marble                    |

Power Rating Of Water Pump: 1HP  
Compatible Electricity Standard: 110V/220V, 50Hz/60Hz

**Model: HS-B313A**  
**Size:1960 x 1460 x 760mm**

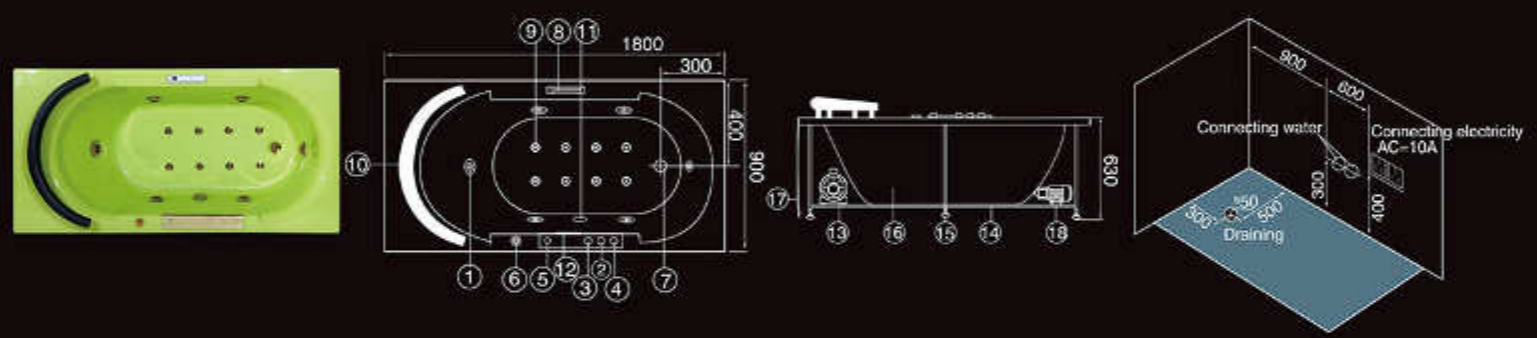


**Main devices**

- |   |                           |
|---|---------------------------|
| ① Massage Jet                           | ⑩ Pillow                  |
| ② Function Changer Switch               | ⑪ Water Suction Device    |
| ③ Cold Water Control                    | ⑫ Waterfall               |
| ④ Hot Water Control                     | ⑬ Water Pump              |
| ⑤ Multifunctional Shower Head           | ⑭ Stainless Steel Bracket |
| ⑥ Water Force Adjustment Switch         | ⑮ Adjusting Screw         |
| ⑦ Drainer                               | ⑯ Acrylic Bathtub         |
| ⑧ Computerized Control Panel            | ⑰ Acrylic Apron           |
| ⑨ Bubble Bath With LED Multicolor Light | ⑱ Air Pump                |

Power Rating Of Water Pump: 1HP  
Compatible Electricity Standard: 110V/220V, 50Hz/60Hz

**Model: HS-B312A**  
**Size:1800 x 900 x 630mm**

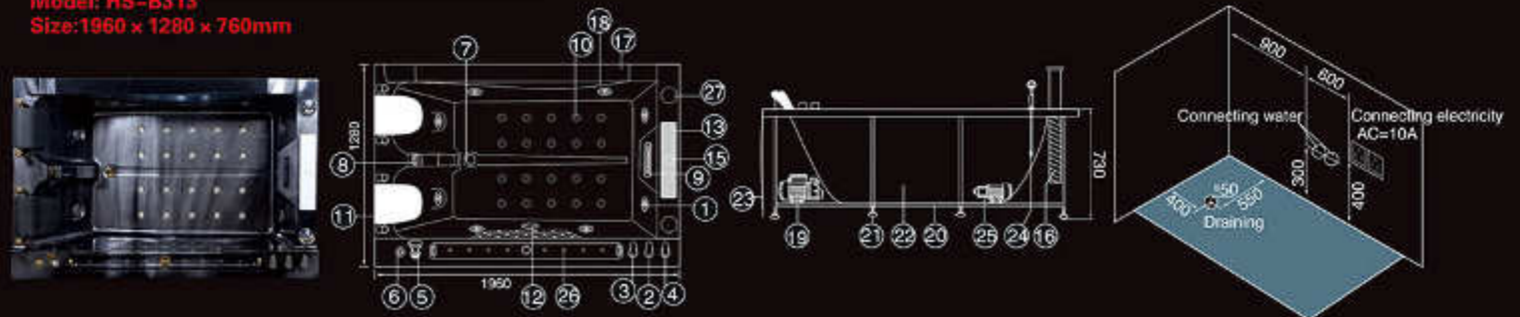


**Main devices**

- |   |                             |
|---|-----------------------------|
| ① Massage Jet                           | ⑭ DVD                       |
| ② Function Changer Switch               | ⑮ Lift Button               |
| ③ Cold Water Control                    | ⑯ TV Lift System            |
| ④ Hot Water Control                     | ⑰ Aluminium Armrest         |
| ⑤ Multifunctional Shower Head           | ⑱ Decorative Tempered Glass |
| ⑥ Water Force Adjustment Switch         | ⑲ Water Pump                |
| ⑦ Drainer                               | ⑳ Stainless Steel Bracket   |
| ⑧ Draining Switch                       | ㉑ Adjusting Screw           |
| ⑨ Computerized Control Panel            | ㉒ Acrylic Bathtub           |
| ⑩ Bubble Bath With LED Multicolor Light | ㉓ Acrylic Apron             |
| ⑪ Pillow                                | ㉔ Shower Hoses              |
| ⑫ Water Suction Device                  | ㉕ Air Pump                  |
| ⑬ LCD TV                                | ㉖ LED Light                 |
|   | ㉗ Speaker                   |

Power Rating Of Water Pump: 1HP  
Compatible Electricity Standard: 110V/220V, 50Hz/60Hz

**Model: HS-B313**  
**Size:1960 x 1280 x 760mm**

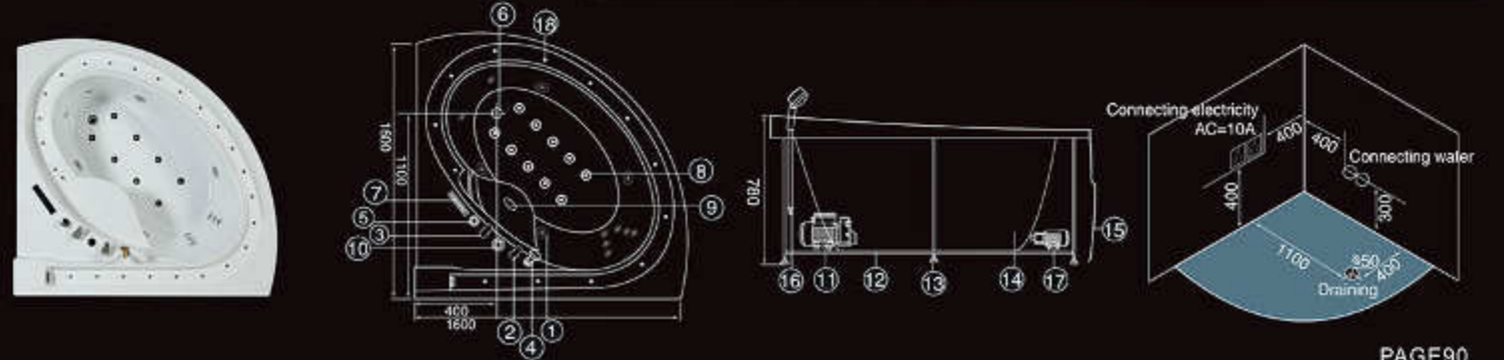


**Main devices**

- |   |                           |
|---|---------------------------|
| ① Massage Jet                           | ⑪ Water Pump              |
| ② Function Changer Switch               | ⑫ Stainless Steel Bracket |
| ③ Cold/Hot Water Control                | ⑬ Adjusting Screw         |
| ④ Multifunctional Shower Head           | ⑭ Acrylic Bathtub         |
| ⑤ Water Force Adjustment Switch         | ⑮ Acrylic Apron           |
| ⑥ Drainer                               | ⑯ Shower Hoses            |
| ⑦ Computerized Control Panel            | ⑰ Air Pump                |
| ⑧ Bubble Bath With LED Multicolor Light | ⑱ LED Light               |
| ⑨ Water Suction Device                  |                           |
| ⑩ Thermostatic Faucet                   |                           |

Power Rating Of Water Pump: 1HP  
Compatible Electricity Standard: 110V/220V, 50Hz/60Hz

**Model: HS-B316**  
**Size:1600 x 1600 x 780mm**



Model: HS-B317  
Size: 1600 x 1600 x 780mm

Main devices

- |   |                           |
|---|---------------------------|
| ① Massage Jet                           | ⑪ Water Pump              |
| ② Function Changer Switch               | ⑫ Stainless Steel Bracket |
| ③ Cold/Hot Water Control                | ⑬ Adjusting Screw         |
| ④ Multifunctional Shower Head           | ⑭ Acrylic Bathtub         |
| ⑤ Water Force Adjustment Switch         | ⑮ Acrylic Apron           |
| ⑥ Drainer                               | ⑯ Shower Hoses            |
| ⑦ Computerized Control Panel            | ⑰ Air Pump                |
| ⑧ Bubble Bath With LED Multicolor Light | ⑱ LED Light               |
| ⑨ Water Suction Device                  | ⑲ Marble                  |
| ⑩ Thermostatic Faucet                   |                           |

Power Rating Of Water Pump: 1HP  
Compatible Electricity Standard: 110V/220V, 50Hz/60Hz



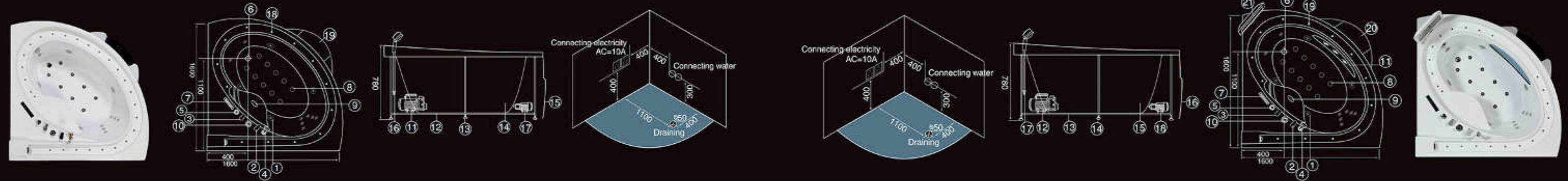
Main devices

- |   |                             |
|---|-----------------------------|
| ① Massage Jet                           | ⑪ Decorative Tempered Glass |
| ② Function Changer Switch               | ⑫ Water Pump                |
| ③ Cold/Hot Water Control                | ⑬ Stainless Steel Bracket   |
| ④ Multifunctional Shower Head           | ⑭ Adjusting Screw           |
| ⑤ Water Force Adjustment Switch         | ⑮ Acrylic Bathtub           |
| ⑥ Drainer                               | ⑯ Acrylic Apron             |
| ⑦ Computerized Control Panel            | ⑰ Shower Hoses              |
| ⑧ Bubble Bath With LED Multicolor Light | ⑱ Air Pump                  |
| ⑨ Water Suction Device                  | ⑲ LED Light                 |
| ⑩ Thermostatic Faucet                   | ⑳ Marble                    |
|   | ㉑ LCD TV(with WIFI)         |

Power Rating Of Water Pump: 1HP  
Compatible Electricity Standard: 110V/220V, 50Hz/60Hz

Model: HS-B319  
Size: 1600 x 1600 x 780mm

USB Flash Drive



Main devices

- |   |                             |
|---|-----------------------------|
| ① Massage Jet                           | ⑪ Decorative Tempered Glass |
| ② Function Changer Switch               | ⑫ Water Pump                |
| ③ Cold/Hot Water Control                | ⑬ Stainless Steel Bracket   |
| ④ Multifunctional Shower Head           | ⑭ Adjusting Screw           |
| ⑤ Water Force Adjustment Switch         | ⑮ Acrylic Bathtub           |
| ⑥ Drainer                               | ⑯ Acrylic Apron             |
| ⑦ Computerized Control Panel            | ⑰ Shower Hoses              |
| ⑧ Bubble Bath With LED Multicolor Light | ⑱ Air Pump                  |
| ⑨ Water Suction Device                  | ⑲ LED Light                 |
| ⑩ Thermostatic Faucet                   |                             |

Power Rating Of Water Pump: 1HP  
Compatible Electricity Standard: 110V/220V, 50Hz/60Hz

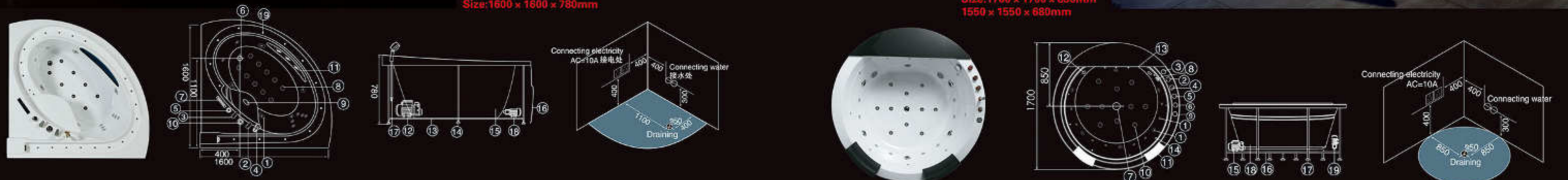
Model: HS-B318  
Size: 1600 x 1600 x 780mm

Main devices

- |   |                           |
|---|---------------------------|
| ① Massage Jet                           | ⑪ Pillow                  |
| ② Function Changer Switch               | ⑫ Water Suction Device    |
| ③ Cold Water Control                    | ⑬ Waterfall               |
| ④ Hot Water Control                     | ⑭ LED Light               |
| ⑤ Multifunctional Shower Head           | ⑮ Water Pump              |
| ⑥ Water Force Adjustment Switch         | ⑯ Stainless Steel Bracket |
| ⑦ Drainer                               | ⑰ Adjusting Screw         |
| ⑧ Draining Switch                       | ⑱ Acrylic Bathtub         |
| ⑨ Computerized Control Panel            | ⑲ Air Pump                |
| ⑩ Bubble Bath With LED Multicolor Light |                           |

Power Rating Of Water Pump: 1HP  
Compatible Electricity Standard: 110V/220V, 50Hz/60Hz

Model: HS-BC654  
Size: 1700 x 1700 x 830mm  
1550 x 1550 x 680mm





**Main devices**

- ① Massage Jet
- ② Function Changer Switch
- ③ Cold Water Control
- ④ Hot Water Control
- ⑤ Multifunctional Shower Head
- ⑥ Water Force Adjustment Switch
- ⑦ Drainer
- ⑧ Draining Switch
- ⑨ Computerized Control Panel
- ⑩ Bubble Bath With LED Multicolor Light
- ⑪ Pillow
- ⑫ Water Suction Device
- ⑬ Waterfall
- ⑭ LED Light
- ⑮ Water Pump
- ⑯ Stainless Steel Bracket
- ⑰ Adjusting Screw
- ⑱ Acrylic Bathtub
- ⑲ Air Pump

Power Rating Of Water Pump: 1HP  
Compatible Electricity Standard: 110V/220V, 50Hz/60Hz

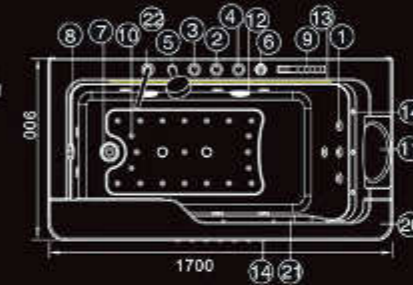
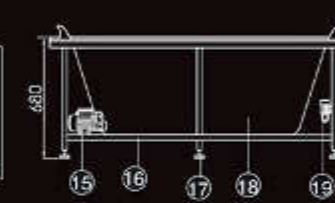
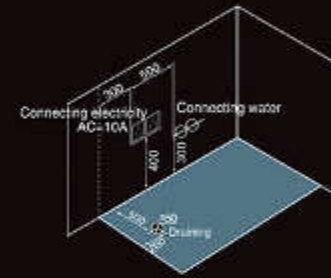
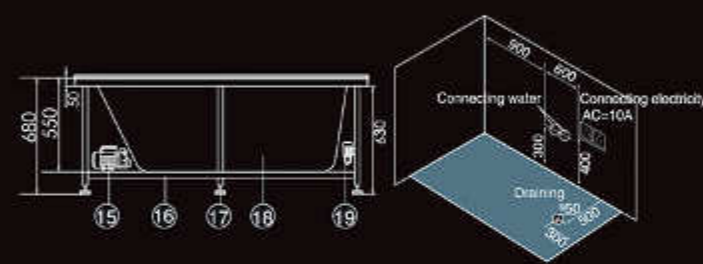
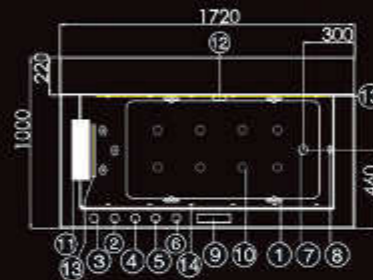
**Model: HS-BC652**  
**Size: 1720 × 1000 × 730mm(2 side apron)**  
**1850 × 1000 × 730mm(drop in)**

**Main devices**

- ① Massage Jet
- ② Function Changer Switch
- ③ Cold Water Control
- ④ Hot Water Control
- ⑤ Multifunctional Shower Head
- ⑥ Water Force Adjustment Switch
- ⑦ Drainer
- ⑧ Draining Switch
- ⑨ Computerized Control Panel
- ⑩ Bubble Bath With LED Multicolor Light
- ⑪ Pillow
- ⑫ Water Suction Device
- ⑬ Waterfall
- ⑭ LED Light
- ⑮ Water Pump
- ⑯ Stainless Steel Bracket
- ⑰ Adjusting Screw
- ⑱ Acrylic Bathtub
- ⑲ Air Pump
- ⑳ Aluminium Armrest
- ㉑ Decorative Tempered Glass

Power Rating Of Water Pump: 1HP  
Compatible Electricity Standard: 110V/220V, 50Hz/60Hz

**Model: HS-EB002**  
**Size: 1700 × 900 × 680mm(3 side apron)**

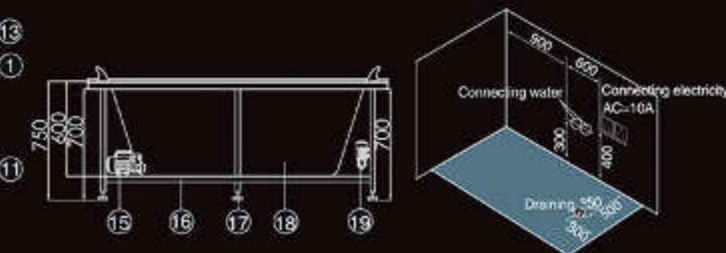
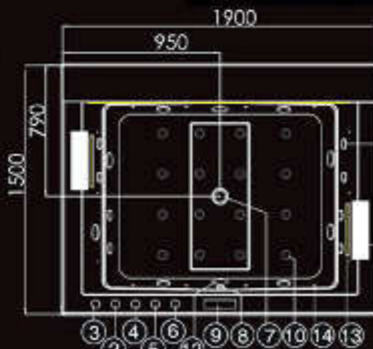


**Main devices**

- ① Massage Jet
- ② Function Changer Switch
- ③ Cold Water Control
- ④ Hot Water Control
- ⑤ Multifunctional Shower Head
- ⑥ Water Force Adjustment Switch
- ⑦ Drainer
- ⑧ Draining Switch
- ⑨ Computerized Control Panel
- ⑩ Bubble Bath With LED Multicolor Light
- ⑪ Pillow
- ⑫ Water Suction Device
- ⑬ Waterfall
- ⑭ LED Light
- ⑮ Water Pump
- ⑯ Stainless Steel Bracket
- ⑰ Adjusting Screw
- ⑱ Acrylic Bathtub
- ⑲ Air Pump

Power Rating Of Water Pump: 1HP  
Compatible Electricity Standard: 110V/220V, 50Hz/60Hz

**Model: HS-BC653**  
**Size: 1900 × 1500 × 830mm(2 side apron)**  
**1850 × 1600 × 680mm(drop in)**

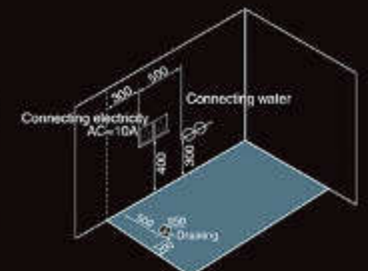
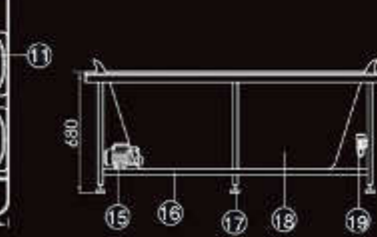
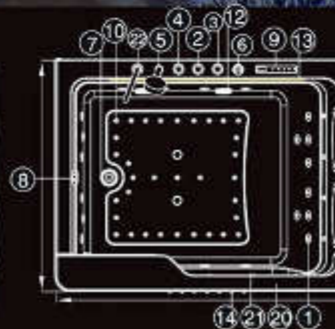


**Main devices**

- ① Massage Jet
- ② Function Changer Switch
- ③ Cold Water Control
- ④ Hot Water Control
- ⑤ Multifunctional Shower Head
- ⑥ Water Force Adjustment Switch
- ⑦ Drainer
- ⑧ Draining Switch
- ⑨ Computerized Control Panel
- ⑩ Bubble Bath With LED Multicolor Light
- ⑪ Pillow
- ⑫ Water Suction Device
- ⑬ Waterfall
- ⑭ LED Light
- ⑮ Water Pump
- ⑯ Stainless Steel Bracket
- ⑰ Adjusting Screw
- ⑱ Acrylic Bathtub
- ⑲ Air Pump
- ⑳ Aluminium Armrest
- ㉑ Decorative Tempered Glass

Power Rating Of Water Pump: 1HP  
Compatible Electricity Standard: 110V/220V, 50Hz/60Hz

**Model: HS-EB003**  
**Size: 1700 × 1300 × 680mm(3 side apron)**



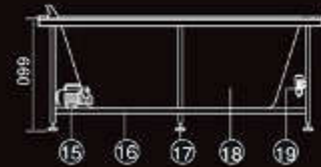
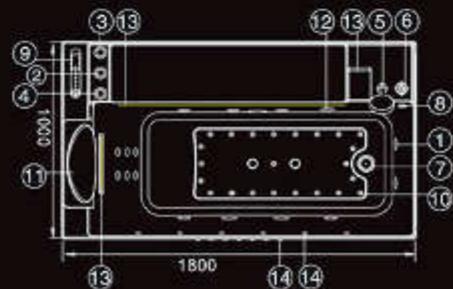
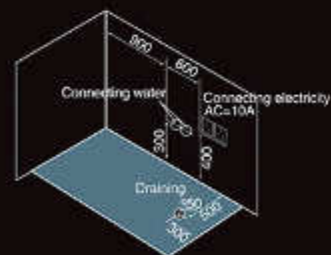
■ Dazzling and concise lines, graceful streamline design and spacious matching full of image let your shower room have more aesthetical feeling.



**Model: HS-EB001**  
**Size: 1800 x 1000 x 660mm(3 side apron)**

**Main devices**

- |   |                           |
|---|---------------------------|
| ① Massage Jet                           | ⑪ Pillow                  |
| ② Function Changer Switch               | ⑫ Water Suction Device    |
| ③ Cold Water Control                    | ⑬ Waterfall               |
| ④ Hot Water Control                     | ⑭ LED Light               |
| ⑤ Multifunctional Shower Head           | ⑮ Water Pump              |
| ⑥ Water Force Adjustment Switch         | ⑯ Stainless Steel Bracket |
| ⑦ Drainer                               | ⑰ Adjusting Screw         |
| ⑧ Draining Switch                       | ⑱ Acrylic Bathtub         |
| ⑨ Computerized Control Panel            | ⑲ Air Pump                |
| ⑩ Bubble Bath With LED Multicolor Light |                           |



Power Rating Of Water Pump: 1HP  
 Compatible Electricity Standard: 110V/220V, 50Hz/60Hz

A woman with long brown hair is relaxing in a white bathtub filled with white foam. She is leaning back with her eyes closed, looking peaceful. The bathtub has a gold faucet with 'HOT' and 'COLD' handles. A shower hose is visible on the left. The background shows a window with white curtains.

## Luxurious royal Bathtub Series

Its clear profile and dynamic style, with rich content, distinguished personality, and harmonic design surpass time limit, construct a harmonic atmosphere in shower room.



**Main devices**

- ① Acrylic Bathtub
- ② Function Changer Switch
- ③ Cold Water Control
- ④ Hot Water Control
- ⑤ Multifunctional Shower Head
- ⑥ Waterfall
- ⑦ Drainer
- ⑧ Bubble Bath With LED Multicolor Light
- ⑨ Pillow
- ⑩ Decorative Tempered Glass
- ⑪ Air Switch
- ⑫ Stainless Steel Bracket
- ⑬ Adjusting Screw

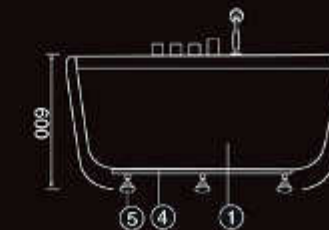
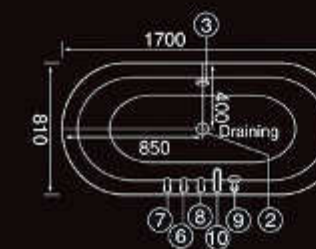
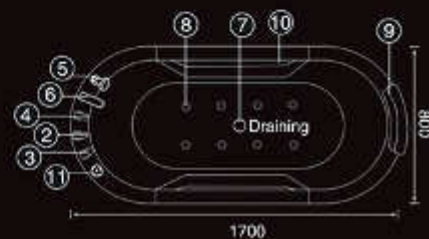
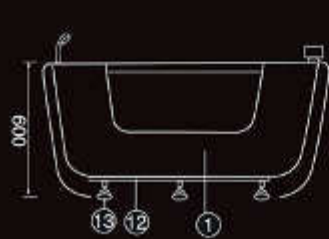
**Model: HS-B501**  
**Size: 1700 x 800 x 600mm**



**Main devices**

- ① Acrylic Bathtub
- ② Drainer
- ③ Draining switch
- ④ Stainless Steel Bracket
- ⑤ Adjusting Screw
- ⑥ Function Changer Switch
- ⑦ Cold Water Control
- ⑧ Hot Water Control
- ⑨ Multifunctional Shower Head
- ⑩ Waterfall

**Model: HS-B503**  
**Size: 1700 x 810 x 600mm**  
**1800 x 820 x 600mm**

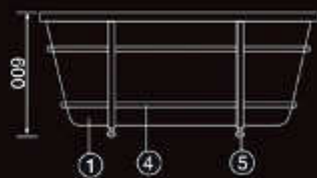
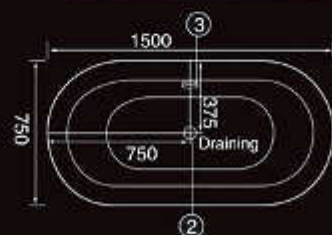


Floor Stand Faucet

**Main devices**

- ① Acrylic Bathtub
- ② Drainer
- ③ Draining switch
- ④ Stainless Steel Bracket
- ⑤ Adjusting Screw
- ⑥ Floor Stand Faucet

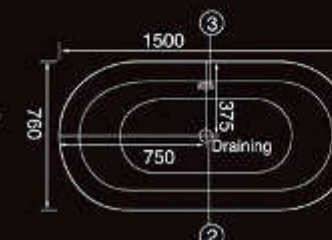
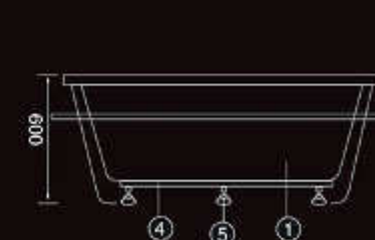
**Model: HS-B502**  
**Size: 1500 x 750 x 600mm**



**Main devices**

- ① Acrylic Bathtub
- ② Drainer
- ③ Draining switch
- ④ Stainless Steel Bracket
- ⑤ Adjusting Screw
- ⑥ Floor Stand Faucet

**Model: HS-B505**  
**Size: 1500 x 760 x 600mm**





**Main devices**

- ① Acrylic Bathtub
- ② Drainer
- ③ Draining switch
- ④ Tiger Clawfoot
- ⑤ Floor Stand Faucet

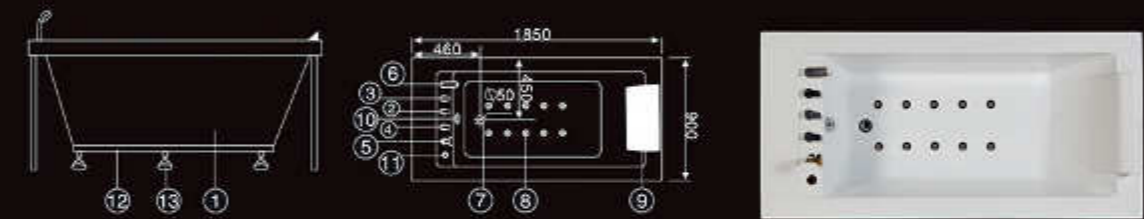
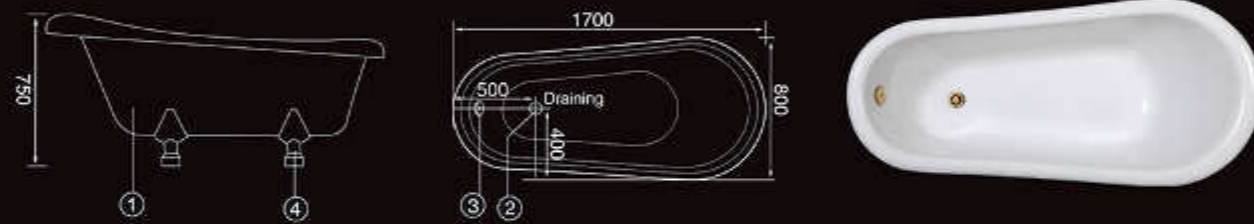
**Model: HS-B506**  
**Size: 1700 x 800 x 750mm**



**Main devices**

- ① Acrylic Bathtub
- ② Function Changer Switch
- ③ Cold Water Control
- ④ Hot Water Control
- ⑤ Multifunctional Shower Head
- ⑥ Waterfall
- ⑦ Drainer
- ⑧ Bubble Bath With LED Multicolor Light
- ⑨ Pillow
- ⑩ Draining switch
- ⑪ Air Switch
- ⑫ Stainless Steel Bracket
- ⑬ Adjusting Screw

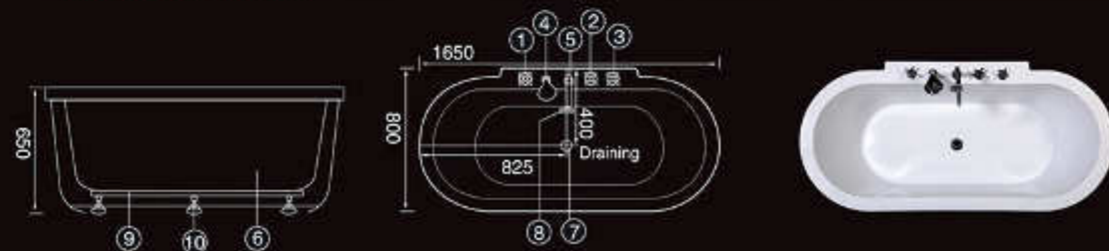
**Model: HS-B508**  
**Size: 1850 x 900 x 570mm**



**Main devices**

- ① Function Changer Switch
- ② Cold Water Control
- ③ Hot Water Control
- ④ Multifunctional Shower Head
- ⑤ Waterfall
- ⑥ Acrylic Bathtub
- ⑦ Drainer
- ⑧ Draining switch
- ⑨ Stainless Steel Bracket
- ⑩ Adjusting Screw

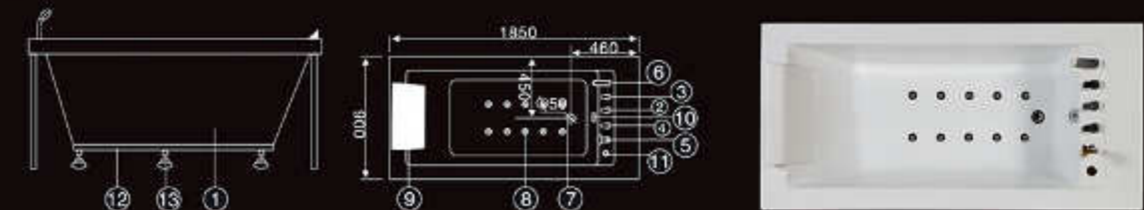
**Model: HS-B507**  
**Size: 1650 x 800 x 650mm**



**Main devices**

- ① Acrylic Bathtub
- ② Function Changer Switch
- ③ Cold Water Control
- ④ Hot Water Control
- ⑤ Multifunctional Shower Head
- ⑥ Waterfall
- ⑦ Drainer
- ⑧ Bubble Bath With LED Multicolor Light
- ⑨ Pillow
- ⑩ Draining switch
- ⑪ Air Switch
- ⑫ Stainless Steel Bracket
- ⑬ Adjusting Screw

**Model: HS-B509**  
**Size: 1850 x 900 x 570mm**



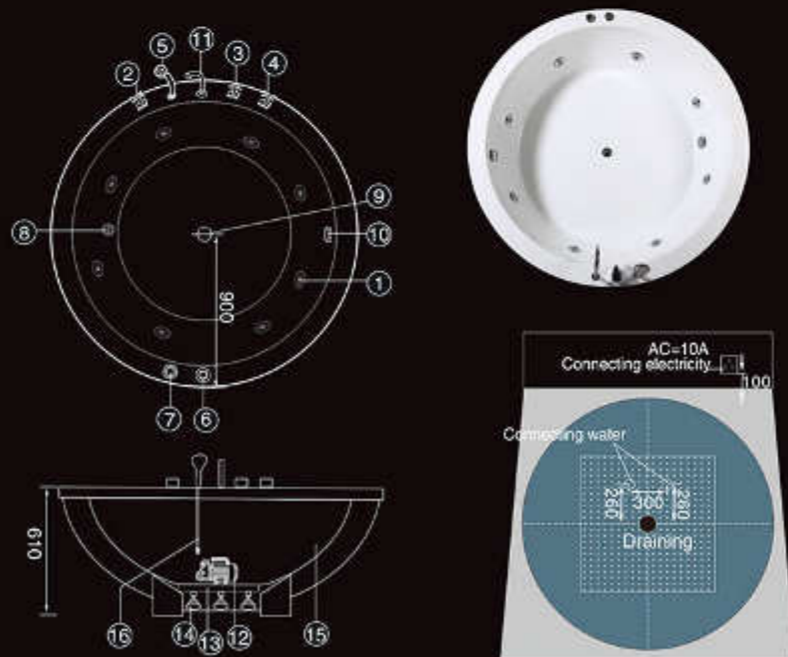


**Model: HS-B510**  
**Size: 1500 × 1500 × 610mm**  
**1800 × 1800 × 610mm**

**Main devices**

- |                                 |                           |
|---------------------------------|---------------------------|
| ① Massage Jet                   | ⑨ Drainer                 |
| ② Function Changer Switch       | ⑩ Draining switch         |
| ③ Cold Water Control            | ⑪ Waterfall               |
| ④ Hot Water Control             | ⑫ Water Pump              |
| ⑤ Multifunctional Shower Head   | ⑬ Stainless Steel Bracket |
| ⑥ Air Switch                    | ⑭ Adjusting Screw         |
| ⑦ Water Force Adjustment Switch | ⑮ Acrylic Bathtub         |
| ⑧ Water Suction Device          | ⑯ Shower Hoses            |

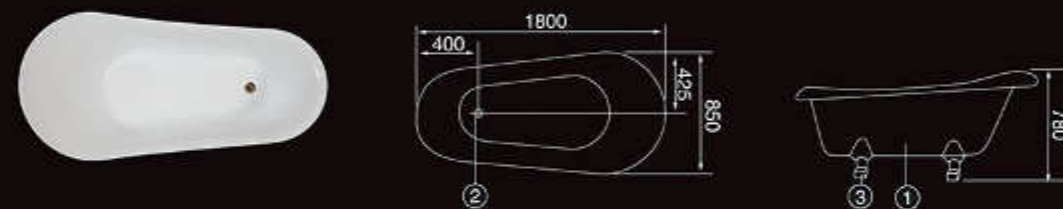
Power Rating Of Water Pump: 1HP  
 Compatible Electricity Standard: 110V/220V, 50Hz/60Hz



**Main devices**

- ① Acrylic Bathtub
- ② Drainer
- ③ Tiger Clawfoot
- ④ Floor Stand Faucet

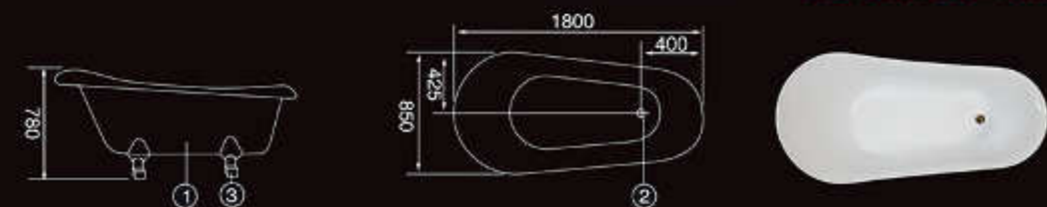
**Model: HS-B511**  
**Size: 1800 × 850 × 780mm**



**Main devices**

- ① Acrylic Bathtub
- ② Drainer
- ③ Draining switch
- ④ Tiger Clawfoot
- ⑤ Floor Stand Faucet

**Model: HS-B512**  
**Size: 1800 × 850 × 780mm**

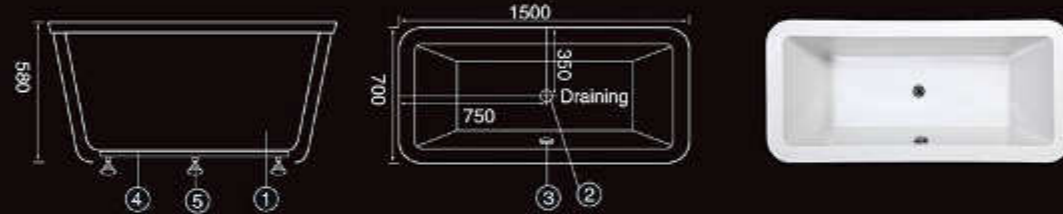




**Main devices**

- ① Acrylic Bathtub
- ② Drainer
- ③ Draining switch
- ④ Stainless Steel Bracket
- ⑤ Adjusting Screw
- ⑥ Floor Stand Faucet

**Model: HS-B515**  
**Size: 1500 × 700 × 580mm**

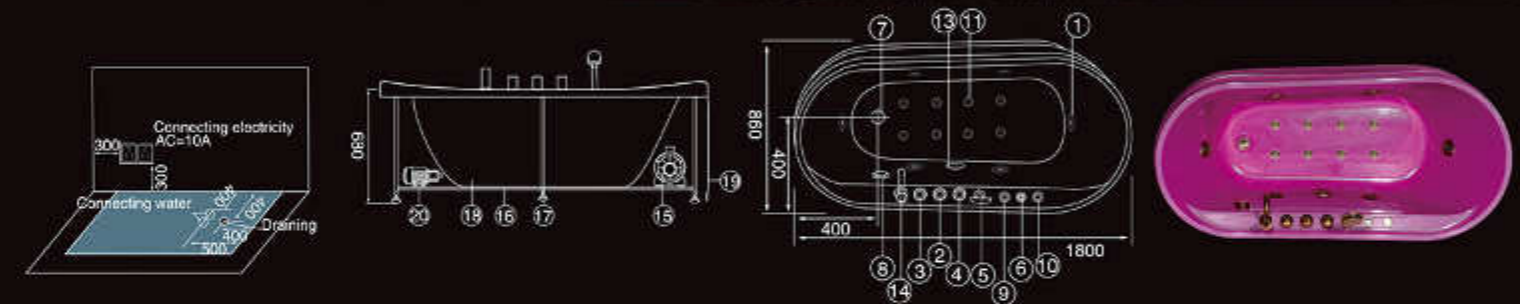


**Main devices**

- ① Massage Jet
- ② Function Changer Switch
- ③ Cold Water Control
- ④ Hot Water Control
- ⑤ Multifunctional Shower Head
- ⑥ Water Force Adjustment Switch
- ⑦ Drainer
- ⑧ Draining Switch
- ⑨ Air switch (air pump)
- ⑩ Air switch (water pump)
- ⑪ Bubble Bath With LED Multicolor Light
- ⑬ Water Suction Device
- ⑭ water fall
- ⑮ Water Pump
- ⑯ Stainless Steel Bracket
- ⑰ Adjusting Screw
- ⑱ Acrylic Bathtub
- ⑲ Acrylic Apron
- ⑳ Air Pump

Power Rating Of Water Pump: 1HP  
 Compatible Electricity Standard: 110V/220V, 50Hz/60Hz

**Model: HS-B517**  
**Size: 1800 × 860 × 680mm**

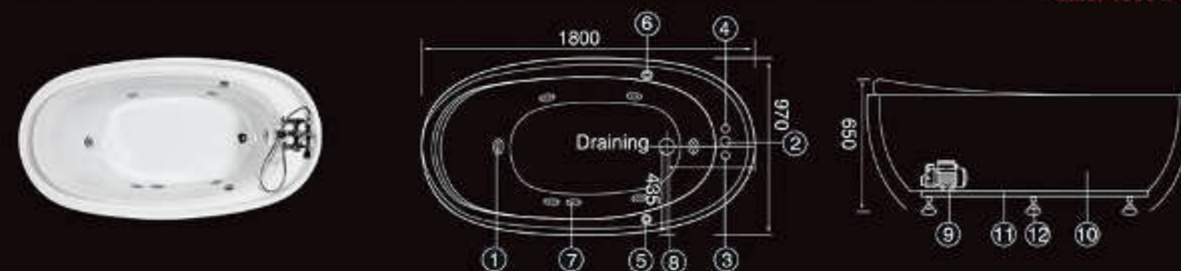


**Main devices**

- ① Massage Jet
- ② Function Changer Switch
- ③ Cold Water Control
- ④ Hot Water Control
- ⑤ Air Switch
- ⑥ Water Force Adjustment Switch
- ⑦ Water Suction Device
- ⑧ Drainer
- ⑨ Water Pump
- ⑩ Acrylic Bathtub
- ⑪ Stainless Steel Bracket
- ⑫ Adjusting Screw

Power Rating Of Water Pump: 1HP  
 Compatible Electricity Standard: 110V/220V, 50Hz/60Hz

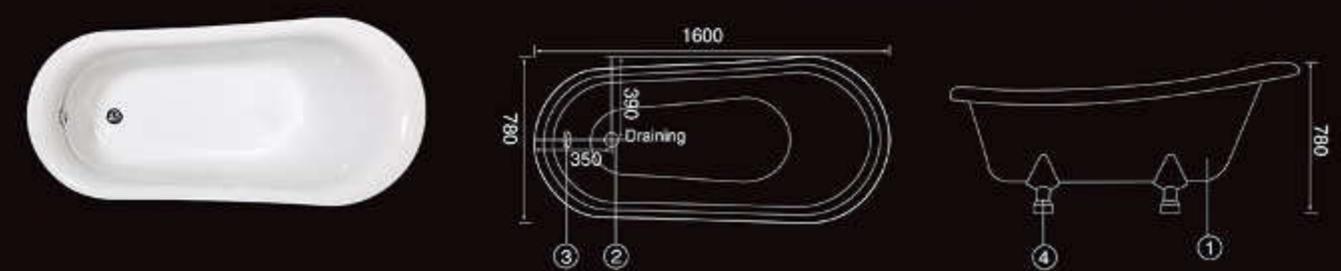
**Model: HS-B516**  
**Size: 1800 × 970 × 650mm**



**Main devices**

- ① Acrylic Bathtub
- ② Drainer
- ③ Draining switch
- ④ Tiger Clawfoot

**Model: HS-B518**  
**Size: 1600 × 780 × 780mm**





**Main devices**

- ① Acrylic Bathtub
- ② Drainer
- ③ Stainless Steel Bracket
- ④ Adjusting Screw

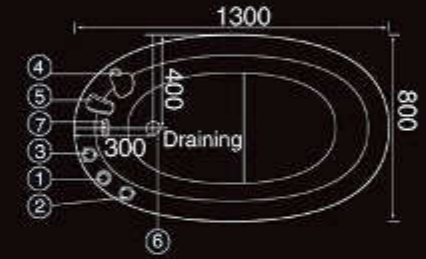
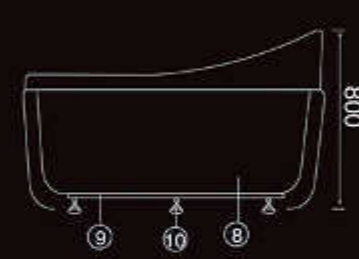
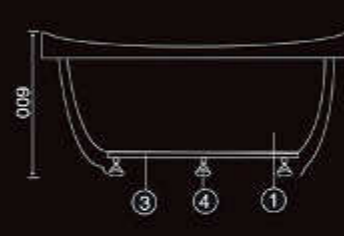
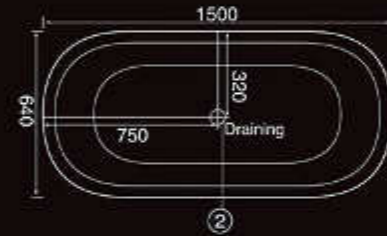
**Model: HS-B521**  
**Size: 1200 × 640 × 600mm**  
**1300 × 640 × 600mm**  
**1500 × 640 × 600mm**



**Main devices**

- ① Function Changer Switch
- ② Cold Water Control
- ③ Hot Water Control
- ④ Multifunctional Shower Head
- ⑤ Waterfall
- ⑥ Drainer
- ⑦ Draining switch
- ⑧ Acrylic Bathtub
- ⑨ Stainless Steel Bracket
- ⑩ Adjusting Screw

**Model: HS-B523**  
**Size: 1300 × 800 × 800mm**



Page 129~130



**Main devices**

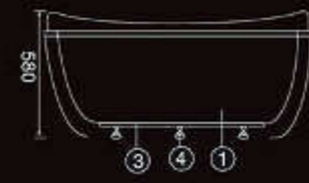
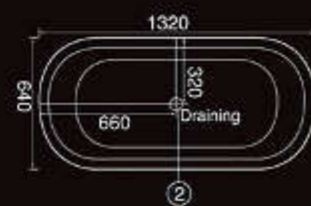
- ① Acrylic Bathtub
- ② Drainer
- ③ Stainless Steel Bracket
- ④ Adjusting Screw

**Model: HS-B522**  
**Size: 1320 × 640 × 580mm**

**Main devices**

- ① Acrylic Bathtub
- ② Drainer
- ③ Stainless Steel Bracket
- ④ Adjusting Screw

**Model: HS-B531**  
**Size: 1300 × 750 × 650mm**

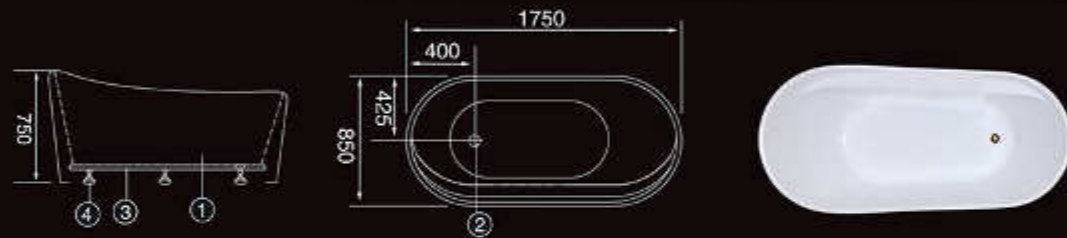




**Main devices**

- ① Acrylic Bathtub
- ② Drainer
- ③ Stainless Steel Bracket
- ④ Adjusting Screw
- ⑤ Floor Stand Faucet

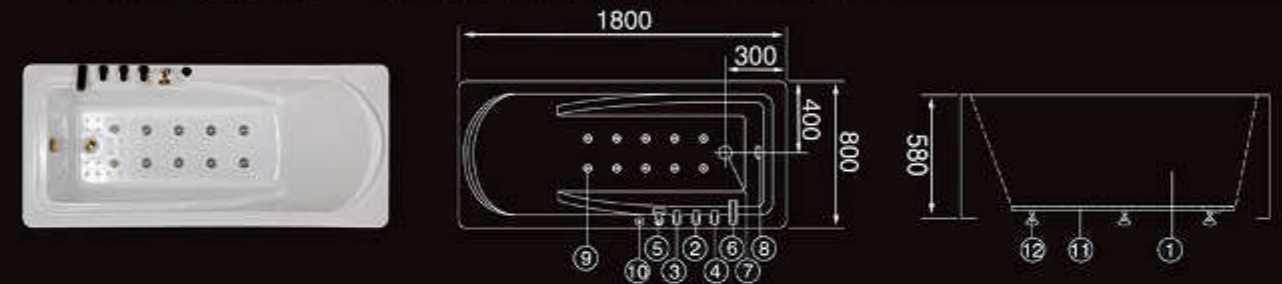
**Model: HS-B527**  
**Size: 1750 × 850 × 750mm**



**Main devices**

- ① Acrylic Bathtub
- ② Function Changer Switch
- ③ Cold Water Control
- ④ Hot Water Control
- ⑤ Multifunctional Shower Head
- ⑥ Waterfall
- ⑦ Drainer
- ⑧ Draining switch
- ⑨ Bubble Bath With LED Multicolor Light
- ⑩ Air Switch
- ⑪ Stainless Steel Bracket
- ⑫ Adjusting Screw

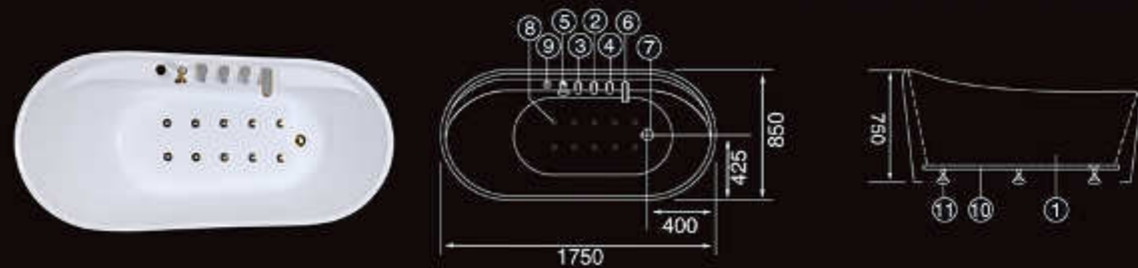
**Model: HS-B525**  
**Size: 1800 × 800 × 580mm**



**Main devices**

- ① Acrylic Bathtub
- ② Function Changer Switch
- ③ Cold Water Control
- ④ Hot Water Control
- ⑤ Multifunctional Shower Head
- ⑥ Waterfall
- ⑦ Drainer
- ⑧ Bubble Bath With LED Multicolor Light
- ⑨ Air Switch
- ⑩ Stainless Steel Bracket
- ⑪ Adjusting Screw

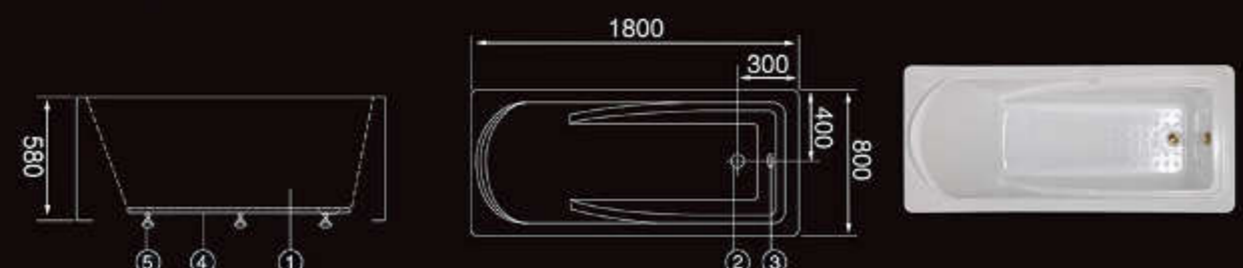
**Model: HS-B528**  
**Size: 1750 × 850 × 750mm**



**Main devices**

- ① Acrylic Bathtub
- ② Drainer
- ③ Draining switch
- ④ Stainless Steel Bracket
- ⑤ Adjusting Screw
- ⑥ Floor Stand Faucet

**Model: HS-B532**  
**Size: 1800 × 800 × 580mm**





**Main devices**

- ① Function Changer Switch
- ② Cold Water Control
- ③ Hot Water Control
- ④ Multifunctional Shower Head
- ⑤ Waterfall
- ⑥ Drainer
- ⑦ Draining switch
- ⑧ Acrylic Bathtub
- ⑨ Stainless Steel Bracket
- ⑩ Adjusting Screw

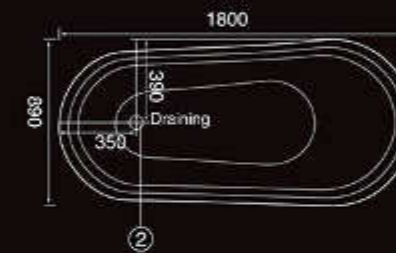
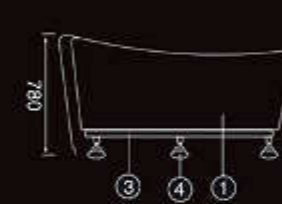
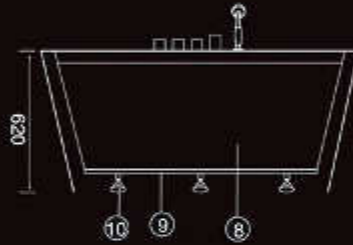
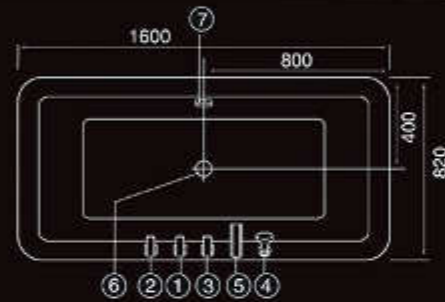
**Model: HS-B536**  
**Size: 1600 × 820 × 620mm**



**Main devices**

- ① Acrylic Bathtub
- ② Drainer
- ③ Stainless Steel Bracket
- ④ Adjusting Screw
- ⑤ Floor Stand Faucet

**Model: HS-B541**  
**Size: 1600 × 890 × 780mm**



**Main devices**

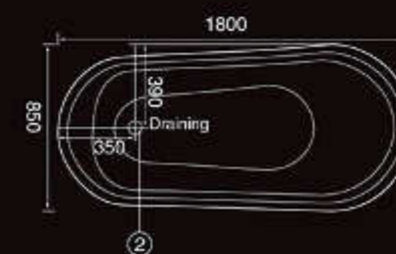
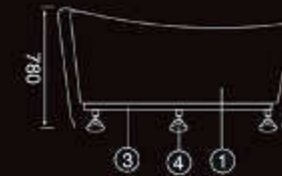
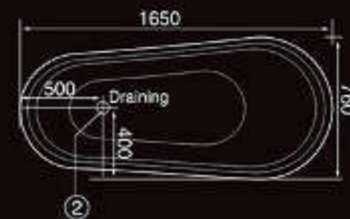
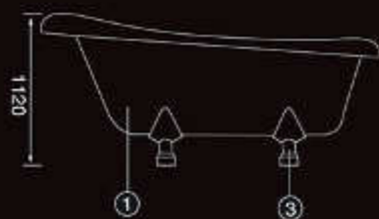
- ① Acrylic Bathtub
- ② Drainer
- ③ Tiger Clawfoot
- ④ Floor Stand Faucet

**Model: HS-B538**  
**Size: 1650 × 760 × 1120mm**

**Main devices**

- ① Acrylic Bathtub
- ② Drainer
- ③ Stainless Steel Bracket
- ④ Adjusting Screw
- ⑤ Floor Stand Faucet

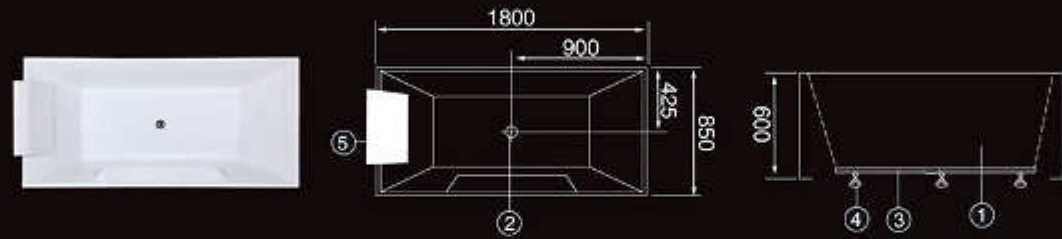
**Model: HS-B546**  
**Size: 1600 × 760 × 790mm**  
**1800 × 850 × 780mm**



**Main devices**

- ① Acrylic Bathtub
- ② Drainer
- ③ Stainless Steel Bracket
- ④ Adjusting Screw
- ⑤ Pillow
- ⑥ Floor Stand Faucet

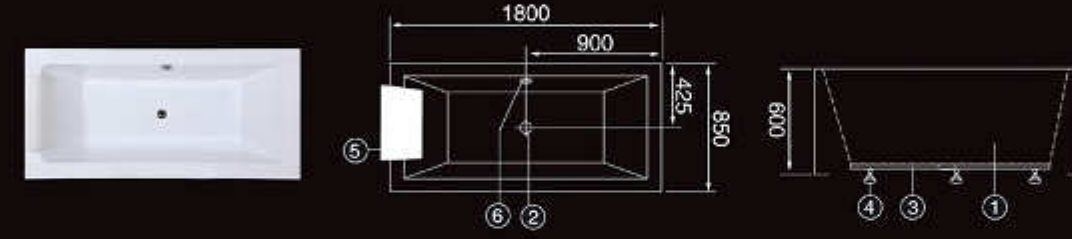
**Model: HS-B549**  
**Size: 1800 × 850 × 600mm**



**Main devices**

- ① Acrylic Bathtub
- ② Drainer
- ③ Stainless Steel Bracket
- ④ Adjusting Screw
- ⑤ Pillow
- ⑥ Draining switch
- ⑦ Floor Stand Faucet

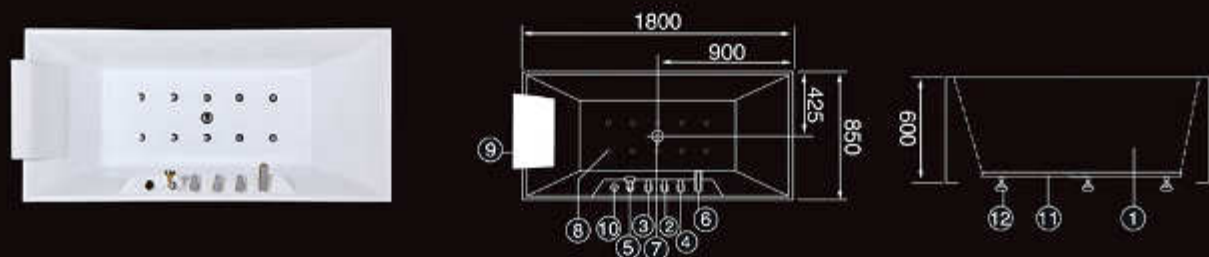
**Model: HS-B555**  
**Size: 1800 × 850 × 600mm**



**Main devices**

- ① Acrylic Bathtub
- ② Function Changer Switch
- ③ Cold Water Control
- ④ Hot Water Control
- ⑤ Multifunctional Shower Head
- ⑥ Waterfall
- ⑦ Drainer
- ⑧ Bubble Bath With LED Multicolor Light
- ⑨ Pillow
- ⑩ Air Switch
- ⑪ Stainless Steel Bracket
- ⑫ Adjusting Screw

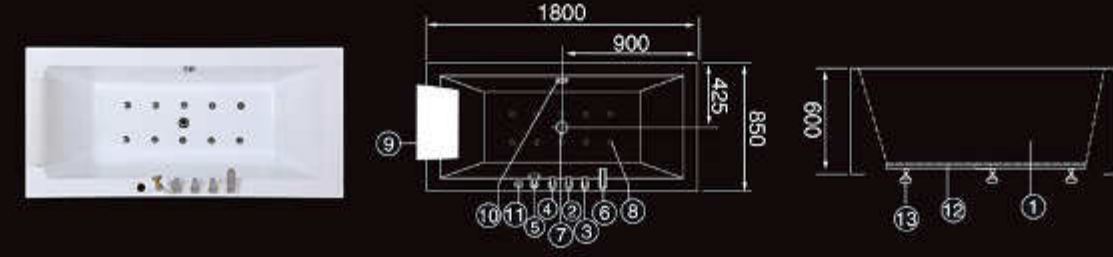
**Model: HS-B550**  
**Size: 1800 × 850 × 600mm**



**Main devices**

- ① Acrylic Bathtub
- ② Function Changer Switch
- ③ Cold Water Control
- ④ Hot Water Control
- ⑤ Multifunctional Shower Head
- ⑥ Waterfall
- ⑦ Drainer
- ⑧ Bubble Bath With LED Multicolor Light
- ⑨ Pillow
- ⑩ Draining switch
- ⑪ Air Switch
- ⑫ Stainless Steel Bracket
- ⑬ Adjusting Screw

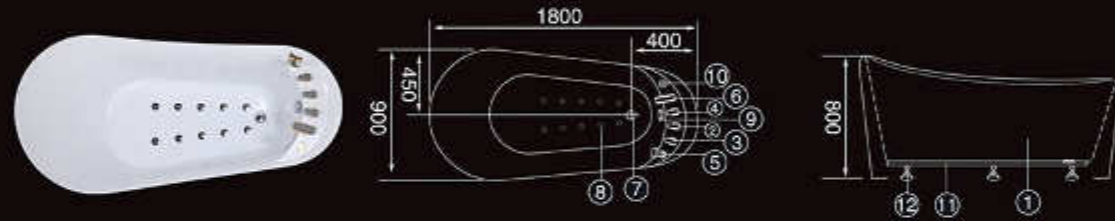
**Model: HS-B556**  
**Size: 1800 × 850 × 600mm**



**Main devices**

- ① Acrylic Bathtub
- ② Function Changer Switch
- ③ Cold Water Control
- ④ Hot Water Control
- ⑤ Multifunctional Shower Head
- ⑥ Waterfall
- ⑦ Drainer
- ⑧ Bubble Bath With LED Multicolor Light
- ⑨ Draining switch
- ⑩ Air Switch
- ⑪ Stainless Steel Bracket
- ⑫ Adjusting Screw

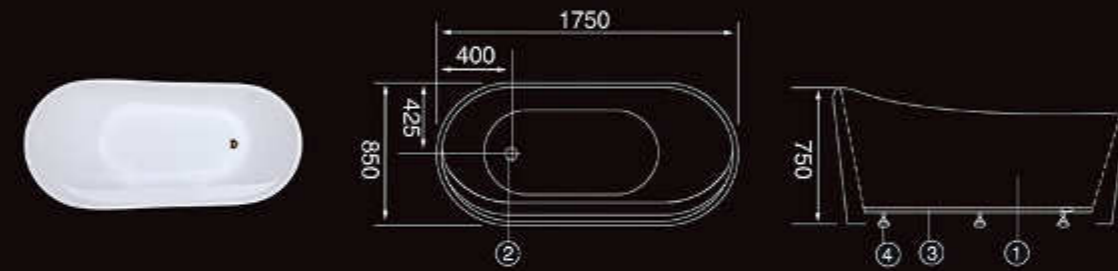
**Model: HS-B557**  
**Size: 1800 × 900 × 800mm**



**Main devices**

- ① Acrylic Bathtub
- ② Drainer
- ③ Stainless Steel Bracket
- ④ Adjusting Screw
- ⑤ Floor Stand Faucet

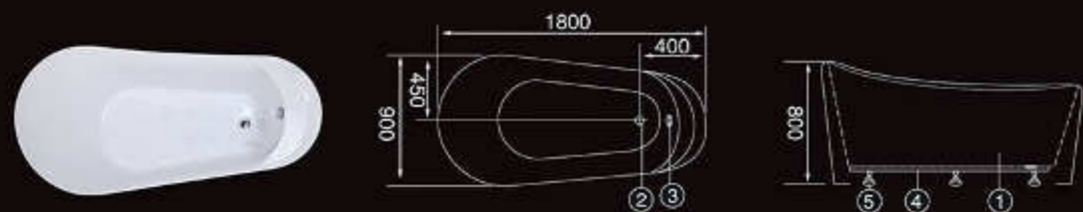
**Model: HS-B559**  
**Size: 1750 × 850 × 750mm**



**Main devices**

- ① Acrylic Bathtub
- ② Drainer
- ③ Draining switch
- ④ Stainless Steel Bracket
- ⑤ Adjusting Screw
- ⑥ Floor Stand Faucet

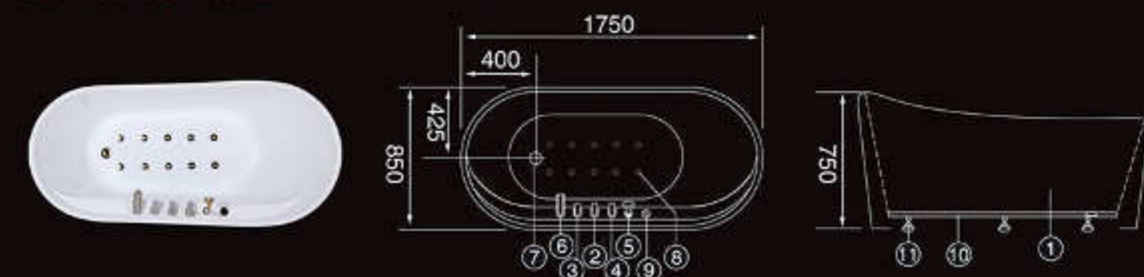
**Model: HS-B558**  
**Size: 1800 × 900 × 800mm**



**Main devices**

- ① Acrylic Bathtub
- ② Function Changer Switch
- ③ Cold Water Control
- ④ Hot Water Control
- ⑤ Multifunctional Shower Head
- ⑥ Waterfall
- ⑦ Drainer
- ⑧ Bubble Bath With LED Multicolor Light
- ⑨ Air Switch
- ⑩ Stainless Steel Bracket
- ⑪ Adjusting Screw

**Model: HS-B560**  
**Size: 1750 × 850 × 750mm**

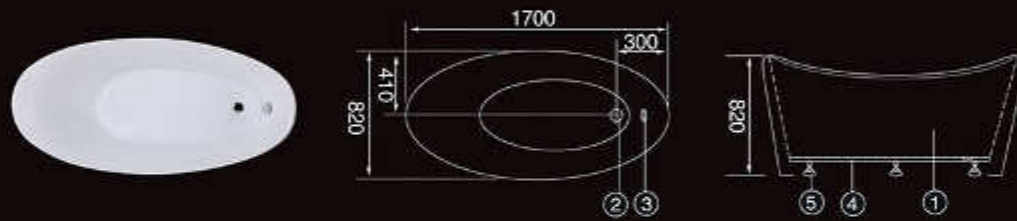




**Main devices**

- ① Acrylic Bathtub
- ② Drainer
- ③ Draining switch
- ④ Stainless Steel Bracket
- ⑤ Adjusting Screw
- ⑥ Floor Stand Faucet

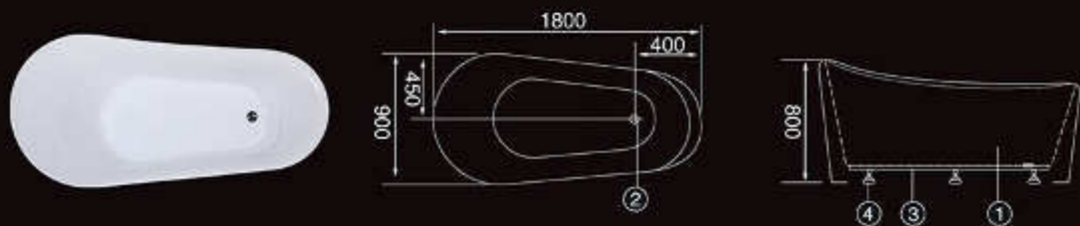
**Model: HS-B553**  
**Size: 1700 × 820 × 820mm**



**Main devices**

- ① Acrylic Bathtub
- ② Drainer
- ③ Stainless Steel Bracket
- ④ Adjusting Screw
- ⑤ Floor Stand Faucet

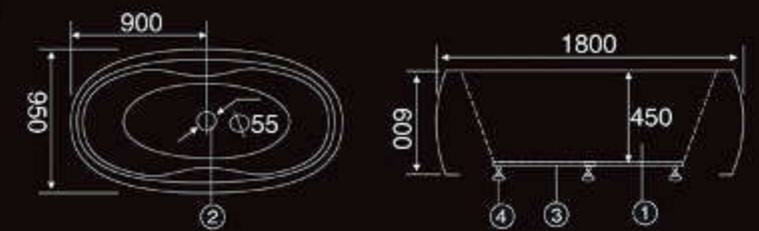
**Model: HS-B561**  
**Size: 1800 × 900 × 800mm**



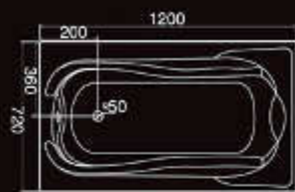
**Model: HS-B562**  
**Size: 1800 × 950 × 600mm**

**Main devices**

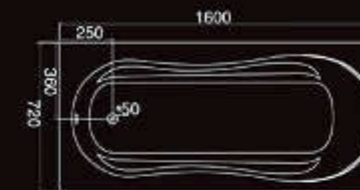
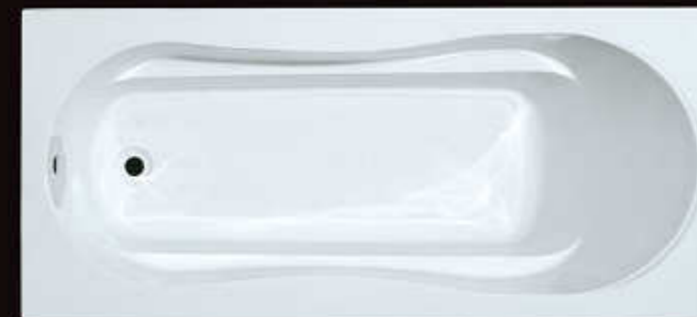
- ① Acrylic Bathtub
- ② Drainer
- ③ Stainless Steel Bracket
- ④ Adjusting Screw
- ⑤ Floor Stand Faucet



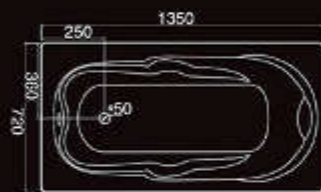
Simple Bathtub Series



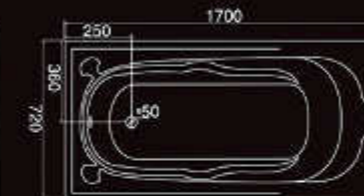
Model: HS-B120  
Size: 1200 x 720 x 400mm



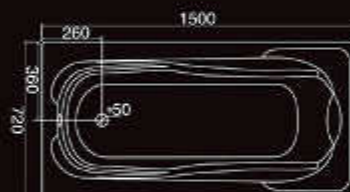
Model: HS-B1600-1  
Size: 1600 x 720 x 400mm



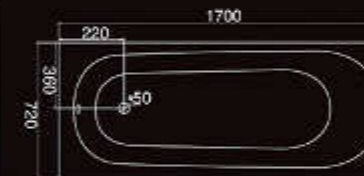
Model: HS-B135  
Size: 1350 x 720 x 400mm



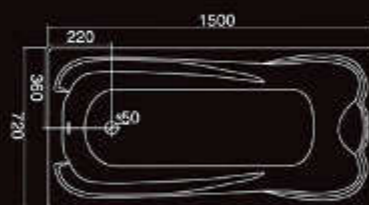
Model: HS-B1700-1  
Size: 1500 x 720 x 400mm  
1600 x 720 x 400mm  
1700 x 720 x 400mm



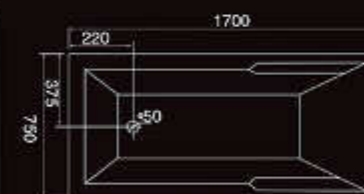
Model: HS-B1500-1  
Size: 1500 x 720 x 400mm



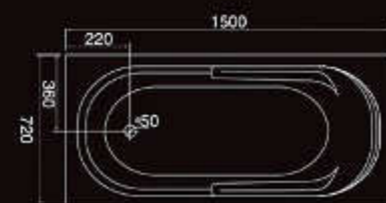
Model: HS-B1700-2  
Size: 1700 x 720 x 420mm



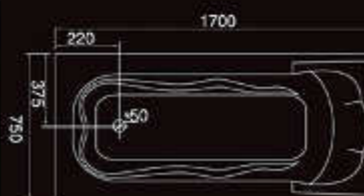
Model: HS-B1500-5  
Size: 1500 x 720 x 400mm



Model: HS-B1700-3  
Size: 1700 x 750 x 470mm



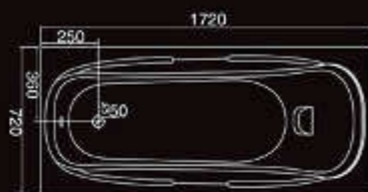
Model: HS-B1500-6  
Size: 1500 x 720 x 430mm



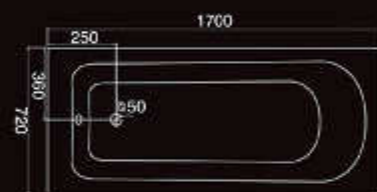
Model: HS-B1700-5  
Size: 1700 x 750 x 470mm



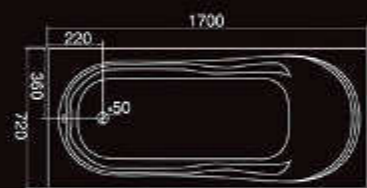
Simple Bathtub Series



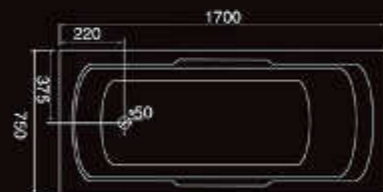
Model: HS-B1700-6  
Size: 1720 x 720 x 460mm



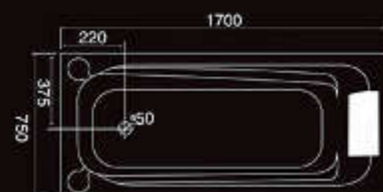
Model: HS-B1700-7  
Size: 1700 x 720 x 400mm



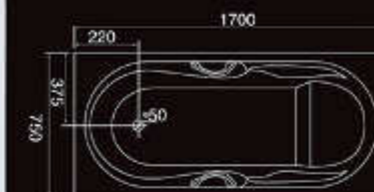
Model: HS-B1700-8  
Size: 1700 x 720 x 460mm



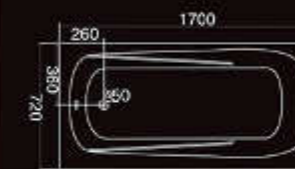
Model: HS-B1700-9  
Size: 1700 x 750 x 410mm  
1600 x 750 x 410mm



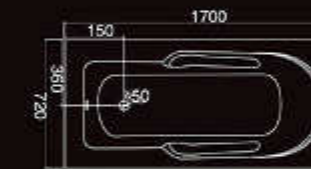
Model: HS-B1700-10  
Size: 1700 x 750 x 420mm



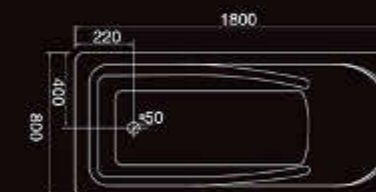
Model: HS-B1700-11  
Size: 1700 x 750 x 420mm



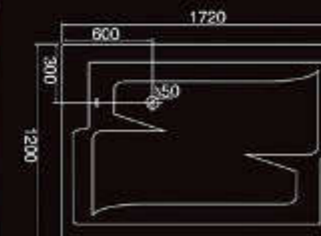
Model: HS-B1700-12  
Size: 1500 x 720 x 400mm  
1600 x 720 x 400mm  
1700 x 720 x 400mm



Model: HS-B1700-13  
Size: 1500 x 720 x 400mm  
1600 x 720 x 400mm  
1700 x 720 x 400mm



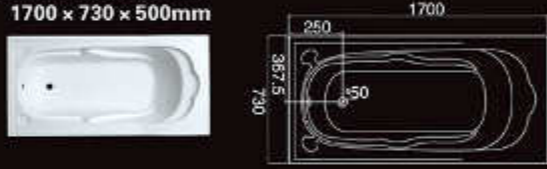
Model: HS-B1800-1  
Size: 1800 x 800 x 460mm



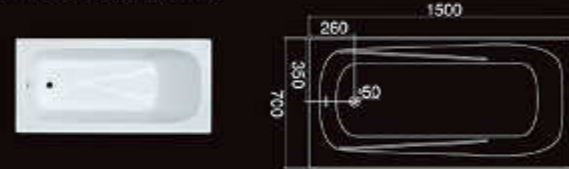
Model: HS-B1720  
Double Person  
Size: 1720 x 1200 x 430mm



Model: HS-1700  
Dual-apron tub  
Size: 1500 x 730 x 500mm  
1700 x 730 x 500mm



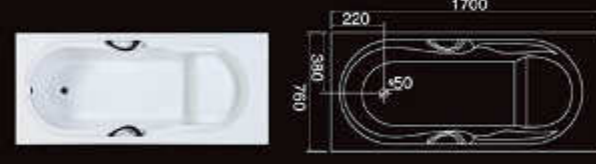
Model: HS-1500-8  
Tub with apron  
Size: 1500 x 700 x 460mm



Model: HS-1700-10  
Dual-apron tub  
Size: 1700 x 760 x 450mm



Model: HS-1700-11  
Dual-apron tub  
Size: 1700 x 760 x 450mm



**Draining device**



Model: SX-01

Model: SX-02



Model: SX-03

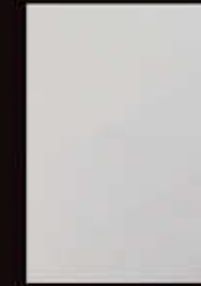
Model: SX-05

Model: SX-06

**Material optional color**



Color: HS-001



Color: HS-002



Color: HS-003



Color: HS-005



Color: HS-006



Color: HS-007



Color: HS-008



Color: HS-009



Color: HS-010



Color: HS-011



Color: HS-012



Color: HS-013



Color: HS-015



Color: HS-016



Color: HS-017



Color: HS-018



Color: HS-019



Color: HS-020



Color: HS-021



Color: HS-022



Color: HS-023



Color: HS-025