



Sauna

Sauna, 原意是“没有窗户的小木屋”，来源于芬兰，最初的作用是“排汗”，作促进血液循环和恢复体力使用，距今已有几千年的历史。古老的芬兰人，把桑拿浴室视为圣地，人们在这里放松休憩，舒缓身心。如今，这项传统已经扩展到全球，并逐渐演绎成一种时尚健康的生活方式。

Sauna, the original intention is "windowless cabin", comes from Finland, the first is the role of "sweat", for promoting blood circulation and restore physical use, it has a history of thousands of years. Old Finn, the sauna consecrated, here people relax, relieve physical and mental. Today, this tradition has spread to the whole world, and gradually evolved into a fashion and healthy way of life.



企业简介

柯亚桑拿泳池设备有限公司是专业从事桑拿泳池系列产品研发、生产的企业，拥有15000平方绿化率60%以上的生产基地。主营产品有桑拿炉、蒸汽机、桑拿房、户外木桶浴、桑拿附件、恒温器、过滤沙缸、水泵、加香泵、风泵及其他泳池设备。公司自1997年成立以来，培养出一批高素质的技术研发质量控制和生产管理的优秀人才，凭借专业技术优势，打造出“COASTS、STEAMIST、AMAZON、HEIRVA”等国内外知名品牌，在中国桑拿生产企业中质量始终领先，特别是近年研发生产的多功能豪华蒸汽机和桑拿炉，其技术的先进性和质量的可靠性已达到国际先进水平。

公司为“国际桑拿协会”成员，荣获“中国高新技术”企业，拥有多项技术和商标专利，具有ISO9001:2015质量管理体系认证，其主要产品已通过中国进出口检验检疫局“电器产品型式试验确认书”，已获北美ETL认证和欧盟CE认证，是阿里巴巴诚信通金牌企业。现产品已畅销160多个国家和地区，深受国内外客户的认可和喜爱。

质量是企业生存和发展之本，本着“质量第一，信誉至上，改进创新，打造精品”的质量方针为创世界桑拿精品而努力！

Keya Sauna Swimming Pool Equipment Co., Ltd. is specialized in the development of sauna & swimming pool series products. The production enterprise has a production base of 15,000 square meters with a greening rate of more than 60%. The main products are sauna stove, steam generator, sauna room, outdoor hot tub spa, sauna accessories, pool heaters, sand filters, water pumps, aroma pumps, air blowers and other swimming pool equipments. Since its establishment in 1997, the company has cultivated a group of high-quality talents in quality control and production management of technology research and development, relying on professional and technological advantages to create "COASTS, STEAMIST, AMAZON, HEIRVA" and other well-known brands at home and abroad have always been leading the quality of Chinese sauna manufacturers, especially the multi-functional luxury steam engine and sauna furnace developed and produced in recent years. Its technological advancement and quality reliability have been Reach the international advanced level.

The company is a member of the "International Sauna Association" and has won the "China High-tech" enterprise. It has a number of technical and trademark patents and has the ISO9001:2015 quality management system certification. Its main products have passed the "Electrical Product Type Test Confirmation of China Import and Export Quarantine Bureau". The book has been awarded the North American ETL certification and the EU CE certification, and is the Alibaba TrustPass Gold Enterprise. Now the products have been sold to more than 160 countries and regions, and are highly recognized and loved by domestic and foreign customers.

Quality is the foundation of the survival and development of the company. Based on the quality policy of "Quality First, Credit First, Innovation and Innovation, Creating Quality", we strive to create a world sauna boutique!

KEYA SAUNA 柯亚公司

--国际领先的桑拿&泳池解决方案提供商

--Leading international Sauna and swimming pool solution provider





Steam Generator

蒸汽发生器

Coasts®



KSA Series Steam Generator

KSA系列蒸汽机



KSA 系列蒸汽机是我公司的主打产品, 适用于家庭或是商业场所, 质量稳定, 深受国内外客户喜爱。

KSA series steam generator is our BEST-SELLER. It is suitable for both residential and commercial use.

产品特点：

- 强力自动排水清洗系统：减少水垢，大幅提升电热管寿命。
- KS150防水触摸面板：可以安装在蒸汽房内。
- 独特的水位探头设计能够保探针长期、稳定、可靠地运行。
- 分段加热功能保证均匀出气，大幅提升元器件寿命。
- 缺水及过热保护，确保客户的安全。
- 自诊断功能以及提示信息，便于故障的诊断及维护。
- 升级版防水接头，有效降低潮湿环境导致的故障。
- 美国UL安全标准电热管，欧盟CE安全测试。通过国际安全测试，保证产品的稳定可靠。

Features：

- Powerful Motorized automatic drain system: Significantly reduce mineral accumulation and prolong life of heating elements.
- KS150 waterproof touch-pad controller which could be installed inside steam room.
- Unique water level tank design to ensure reliable operation for heavy-duty use.
- Precision heat control for even steam output and prolong life of heating elements
- Dry and over heating protection
- Self-diagnose function with error code for easy maintenance and service.
- Upgraded waterproof connector to avoid problems caused by moisture.
- CE certified products with UL certified heating elements.

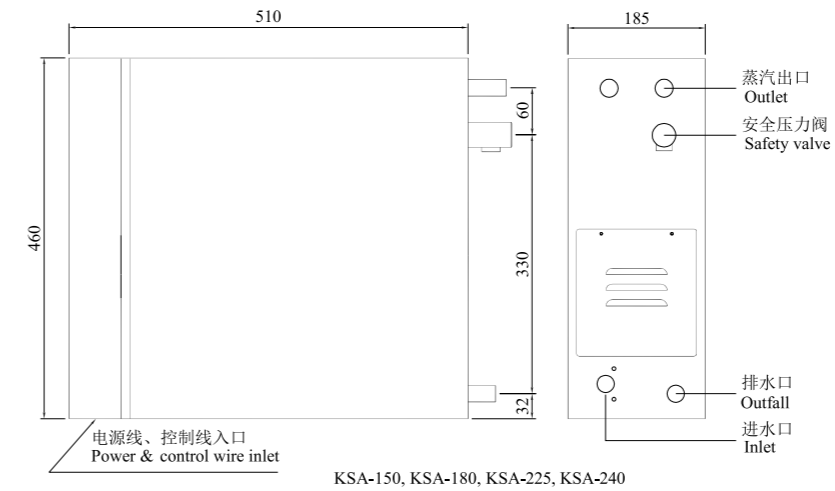
技术数据: Technical data

| 型号 Model | 功率 Power(KW) | 电源(50/60Hz) Power supply (50/60Hz) | | 电源线(铜) N*mm2 Power wire(copper) N*mm2 | 机箱尺寸 cm Dimension cm | 包装尺寸cm Packing dimensions cm | 毛重 kg Gross weight kg |
|-------------|-----------------|---------------------------------------|-------------------|---|-------------------------|------------------------------------|--------------------------|
| | | 电压 V Voltage V | 电流 A Current A | | | | |
| KSA-30 | 3.0 | 220-240V ~ | 13.6 | 3*2.5 | 42.5*16*31.5 | 48.5*21*43.5 | 10.5 ~ 11 |
| KSA-40 | 4.0 | 220-240V ~ | 18.2 | 3*2.5 | | | |
| KSA-60 | 6.0 | 220-240V ~ | 27.3 | 3*6.0 | | | |
| KSA-90 | 9.0 | 380-415V3N ~ | 13.6 | 5*2.5 | 47.5*18.5*45 | 54.5*21.5*57 | 16.4~17 |
| KSA-105 | 10.5 | 380-415V3N ~ | 15.9 | 5*6.0 | | | |
| KSA-120 | 12.0 | 380-415V3N ~ | 18.2 | 5*6.0 | | | |
| KSA-150 | 15.0 | 380-415V3N ~ | 22.7 | 5*6.0 | 51*18.5*46 | 58*22*58 | 17.5 ~ 18.5 |
| KSA-180 | 18.0 | 380-415V3N ~ | 27.3 | 5*6.0 | | | |
| KSA-225 | 22.5 | 380-415V3N ~ | 34.1 | 5*6.0 | | | |
| KSA-240 | 24.0 | 380-415V3N ~ | 36.4 | 5*10.0 | | | |

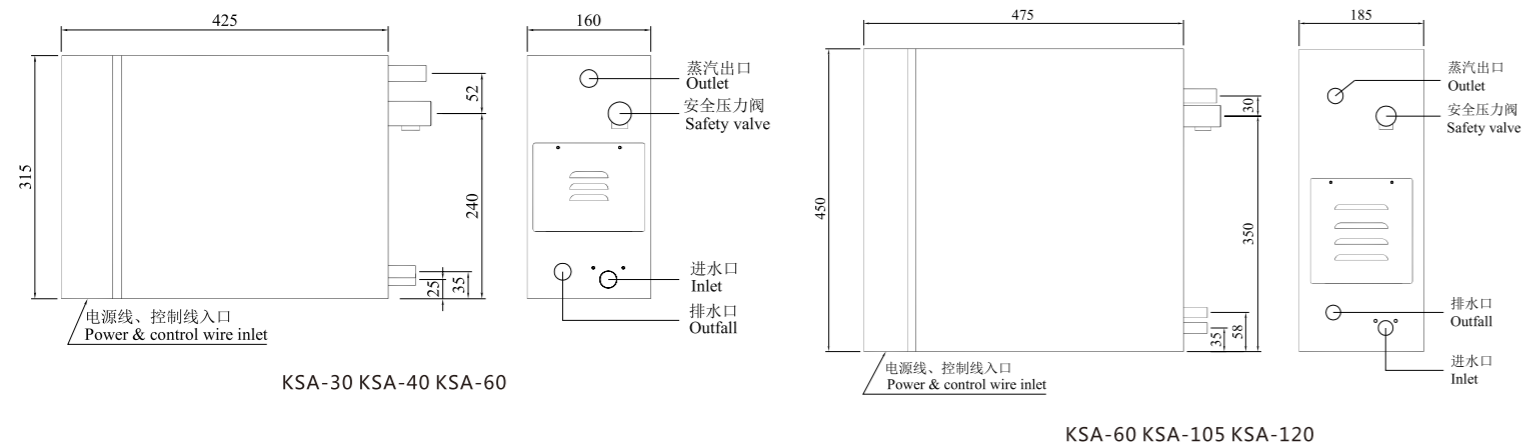
注释： KSA机型标配：数显控制器，内置自动排水系统，#304内胆，新式安全阀，防水接头，新式静音喷头，温度探头和控制线。

NOTE KSA steam generator comes as a full kit including: digital control panel, powerful motorized drain system #304 stainless steel water tank new safety valve, water-roof connector new quite steam nozzle temperature sensor and control cable

外形结构图：Dimension chart



外形结构图：Dimension chart



| 蒸汽机 Steam generator | 控制器 Controller | 时间显示控制范围 Time range(minute) | 温度显示范围 Temperature display range | 温度调整范围 Temperature adjustment range | 尺寸 Dimension(mm) |
|------------------------|-------------------|--------------------------------|-------------------------------------|--|---------------------------|
| KSA Series | KS200A KS150 | 1~60 or 不间断 Non-stop | 6-60°C (43-140°F) | 35-55°C (95-131°F) | 113.5*102*17 80*101*20 |



KSB Elite series steam generator

KSB 精英型蒸汽机

KSB系列 KSB Series



产品特点：

- KSA蒸汽机的升级版，标配顶部清洗口，便于清洁水垢。
- KSB蒸汽机具有独特的快速加热功能，初始化后，在2分钟内可以出蒸汽。而普通蒸汽机需要20-30分钟。
- KSB蒸汽机可配KS320防水触摸式数控控制器,可安装在蒸汽房内。
- 强力的排水系统，配有强制手动按钮。强力的排水系统能够快速置换水箱内的水，保持内胆清洁，减少水垢形成，延长电热管寿命。强制手动按钮使维护更方便。
- 针对大功率机型的独特的水位探头设计能够保探针长期、稳定、可靠地运行。
- KSA 蒸汽机所具备的功能与设计。
- 美国UL安全标准电热管，欧盟CE安全测试。通过国际安全测试，保证产品的稳定可靠

Features :

- Upgraded version of KSA steam generator. With top service hole for descaling.
- Special fast-steam function: Steady steam in 2 minutes comparing to steam time of 20-30 minutes for other steam generators.
- KS320 waterproof touch-pad controller which could be installed inside steam room.
- Motorized automatic drain system with manual switch: Significantly reduce mineral accumulation and prolong life of heating elements. The manual switch make the service easier.
- Unique water level tank design to ensure reliable operation for heavy-duty use.
- Inherit all the design and protection function from KSA steam generator.
- CE certified products with UL certified heating elements.

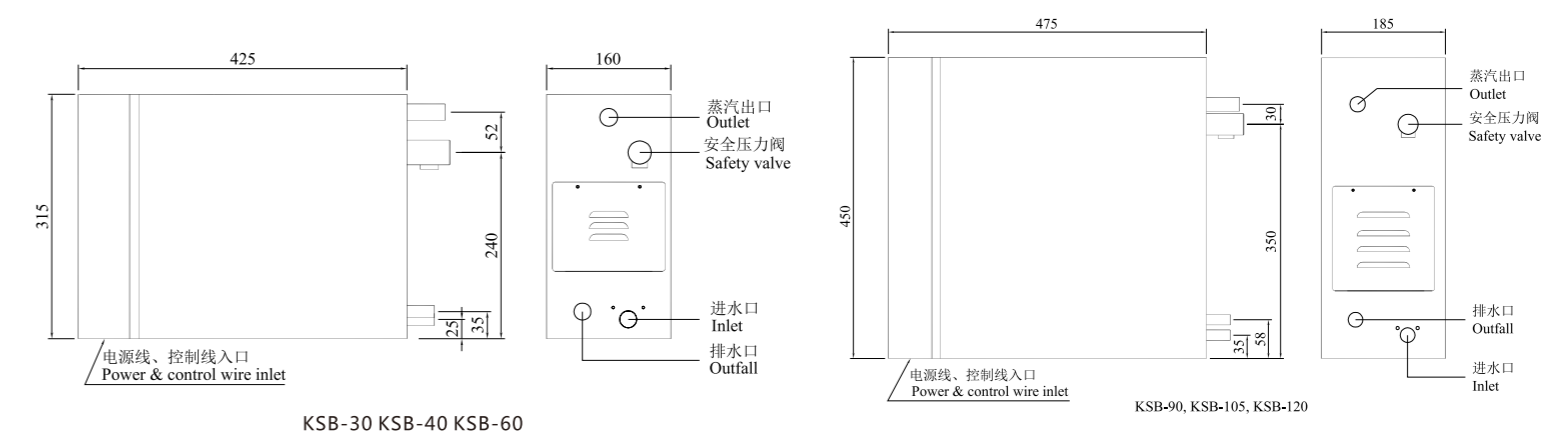
技术数据: Technical data

| 型号 Model | 功率 Power(KW) | 电源(50/60Hz) Power supply (50/60Hz) | | 电源线(铜) N*mm ² Power wire(copper) N*mm ² | 机箱尺寸 cm Dimension cm | 包装尺寸 cm Packing dimension cm | 毛重 kg Gross weight kg |
|-------------|-----------------|---------------------------------------|-------------------|--|-------------------------|------------------------------------|--------------------------|
| | | 电压 V Voltage V | 电流 A Current A | | | | |
| KSB-30 | 3.0 | 220-240V~ | 13.6 | 3*2.5 | 42.5*16*31.5 | 48.5*21*43.5 | 10.5~11 |
| KSB-40 | 4.0 | 220-240V~ | 18.2 | 3*4.0 | | | |
| KSB-60 | 6.0 | 220-240V~ 380-415V3N | 27.3 9.1 | 3*6.0 5*2.5 | | | |
| KSB-90 | 9.0 | 380-415V3N | 13.6 | 5*6.0 | 47.5*18.5*45 | 54.5*21.5*57 | 16.4~17 |
| KSB-105 | 10.5 | 380-415V3N | 15.9 | 5*6.0 | | | |
| KSB-120 | 12.0 | 380-415V3N | 18.2 | 5*6.0 | | | |
| KSB-150 | 15.0 | 380-415V3N | 22.7 | 5*6.0 | 51*18.5*46 | 58*22*58 | 17.5~18.5 |
| KSB-180 | 18.0 | 380-415V3N | 27.3 | 5*6.0 | | | |
| KSB-225 | 22.5 | 380-415V3N | 34.1 | 5*6.0 | | | |
| KSB-240 | 24 | 380-415V3N | 36.4 | 5*10.0 | | | |

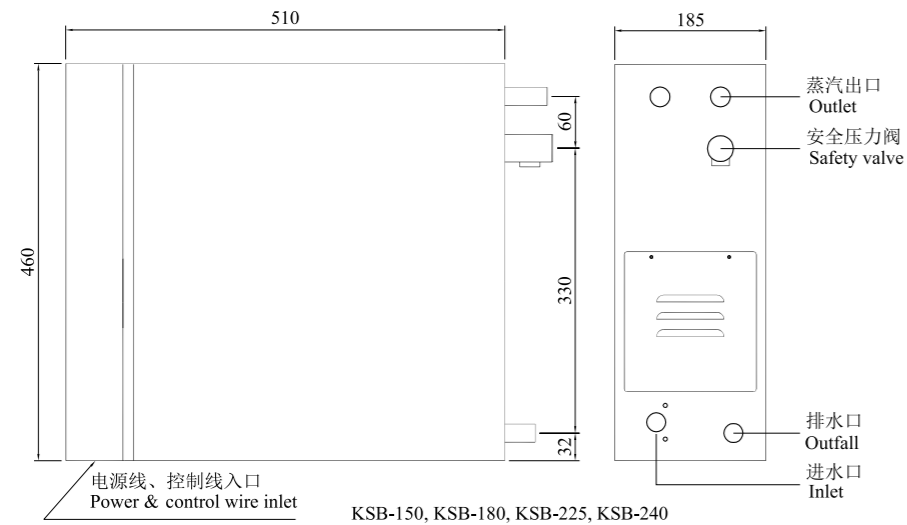
注释： KSB机型标配数显控制器，内置自动排水系统（带手动按键），#304内胆，新式安全阀，防水接头，新式静音喷头，温度探头，控制线。

Note:KSB steam generator comes as a full kit including: digital control panel, powerful motorized drain system with manual push button for service use, #304 stainless steel water tank, new safety valve, water-proof connector, new quite steam nozzle, temperature sensor and control cable.

外形结构图：Dimension chart



KSB-C Series Steam Generator



| 蒸汽机 Steam generator | 控制器 Controller | 控制时间范围 (分钟) Time range to control (minute) | 显示温度范围 Temperature range to show | 控制温度范围 Temperature range to c | 外型尺寸 Dimension (mm) |
|------------------------|-------------------|---|-------------------------------------|----------------------------------|------------------------|
| KSB Series | KS300 | 1 ~ 60 or 不间断 Non-stop | 6-60°C (43-140°F) | 35-55°C (95-131°F) | 80*101*20 |

KSB-C系列 KSB-C Series



产品特征:

- KSB系列的商业型号。独特的商业模式:可设置营业时间,以及房体保温功能。
- 商业双面板:KSB-C蒸汽机配有数控KS300面板以及点动开关KS30A。商业用户可将KS300主面板安装在管理室,将点动开关KS30A安装在蒸汽房内。避免客人频繁改动机器设置产生损坏及浪费。
- KSB蒸汽机具有独特的快速加热功能,初始化后,在2分钟内可以出蒸汽。而普通蒸汽机需要20-30分钟。
- 强力的排水系统,配有强制手动按钮。强力的排水系统能够快速置换水箱内的水,保持内胆清洁,减少水垢形成,延长电热管寿命。强制手动按钮使维护更方便。
- 独特的水位探头设计能够保探针长期、稳定、可靠地运行。
- KSB蒸汽机所具备的功能与设计。
- 美国UL安全标准电热管,欧盟CE安全测试。通过国际安全测试,保证产品的稳定可靠

Features:

- Dedicate commercial version of KSB steam generator. Special commercial mode with business time control and room temperature reservation function.
- Commercial Dual-controller: The KSB-C series steam generator includes two panels: the KS300 digital controller and KS30A push button switch. Commercial client could lock the main panel KS300 inside the management room and only install the push button switch KS30A in the steam room, so as to avoid user frequently change setting on the main panel and costs damage to the controller and waste energy.
- Special fast-steam function: Steady steam in 2 minutes comparing to 20-30 minutes for other steam generator.
- Motorized automatic drain system with manual switch: Significantly reduce mineral accumulation and prolong life of heating elements. The manual switch make the service easier.
- Unique water level tank design to ensure reliable operation for heavy-duty use.
- Inherit all the design and protection function from KSB steam generator.
- CE certified products with UL certified heating elements.

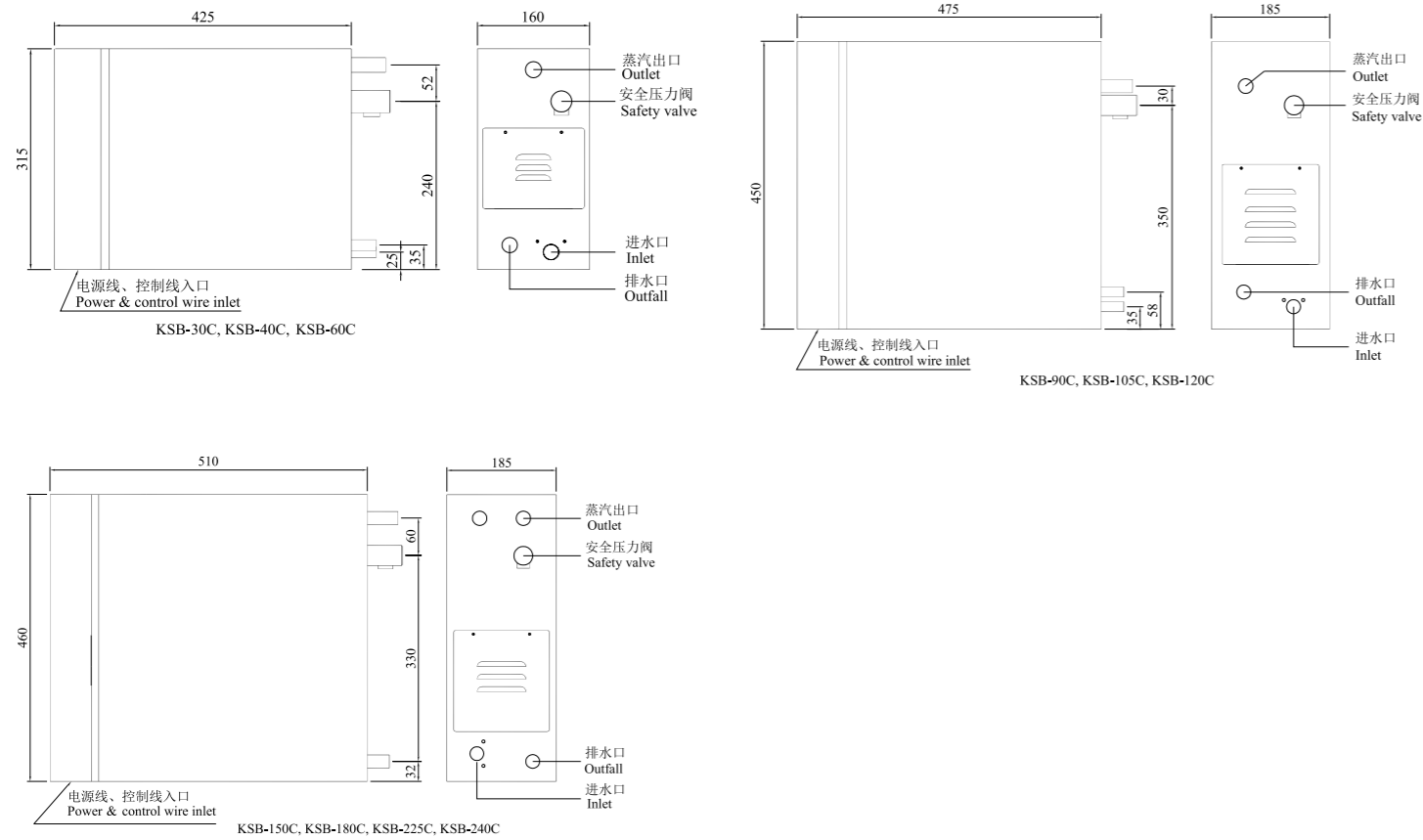
技术数据: Technical data

| 型号 Model | 功率 Power (KW) | 电源(50/60Hz) Power supply (50/60Hz) | | 电源线(铜) N*mm2 Power wire(copper) N*mm2 | 机箱尺寸 cm Dimension cm | 包装尺寸 cm Packing dimensions cm | 毛重 kg Gross weight kg |
|-------------|------------------|---------------------------------------|-------------------|---|-------------------------|-------------------------------------|--------------------------|
| | | 电压 V Voltage V | 电流 A Current A | | | | |
| KSB-30C | 3.0 | 220-240V ~ | 13.6 | 3*2.5 | 42.5*16*31.5 | 48.5*21*43.5 | 10.5 ~ 11 |
| KSB-40C | 4.0 | 220-240V ~ | 18.2 | 3*4.0 | | | |
| KSB-60C | 6.0 | 220-240V ~ | 27.3 | 3*6.0 | 47.5*18.5*45 | 54.5*21.5*57 | 16.4 ~ 17 |
| | | 380-415V3N ~ | 9.1 | 5*2.5 | | | |
| KSB-90C | 9.0 | 380-415V3N ~ | 13.6 | 5*6.0 | 51*18.5*46 | 58*22*58 | 17.5 ~ 18.5 |
| KSB-105C | 10.5 | 380-415V3N ~ | 15.9 | 3*6.0 | | | |
| KSB-120C | 12.0 | 380-415V3N ~ | 18.2 | 5*6.0 | 51*18.5*46 | 58*22*58 | 17.5 ~ 18.5 |
| KSB-150C | 15.0 | 380-415V3N ~ | 22.7 | 5*6.0 | | | |
| KSB-180C | 18.0 | 380-415V3N ~ | 27.3 | 5*6.0 | 51*18.5*46 | 58*22*58 | 17.5 ~ 18.5 |
| KSB-225C | 22.5 | 380-415V3N ~ | 34.1 | 5*6.0 | | | |
| KSB-240C | 24.0 | 380-415V3N ~ | 36.4 | 5*10.0 | | | |

注释: KSB-C机型标配: 数显控制器以及点动开关, 内置自动排水系统(带手动按钮), #304内胆, 顶部清洁口, 新式安全阀, 防水接头, 新式静音喷头, 温度探头, 控制线。

Note: KSB-C steam generator comes as a full kit including: digital control panel with top service hole, powerful motorized drain system with manual-drain button for service use, #304 stainless steel water tank, new safety valve, water-proof connector, new quite steam nozzle temperature sensor and control cable.

外形结构图：Dimension chart



KSB-S Series Steam Generator

柯仕 (COASTS) KSB-S系列

KSB-S系列 KSB-S Series



针对大型商业场所的独特联机功能，可以将2台 KSB 蒸汽机（最大 18KW）连接在一起，组成24kw-36kw的大型蒸汽机，并只使用同一个控制面板进行操作，从而避免使用大型商用蒸汽机的高额成本。

Client could connect two KSB steam generator (Up to 18KW) to output 18KW-36KW for large commercial project and using single controller for easy operation, so as to avoid the extremely high costs of commercial steam generator.

技术数据: Technical data

| 型号 Model | 功率 Power(KW) | 电源(50/60Hz) Power supply (50/60Hz) | | 电源线(铜) N*mm2 Power wire(copper) N*mm2 | 机箱尺寸 cm Dimension cm | 包装尺寸 cm Packing dimensions cm | 毛重 kg Gross weight kg |
|-------------|-----------------|---------------------------------------|-------------------|---|-------------------------|-------------------------------------|--------------------------|
| | | 电压 V Voltage V | 电流 A Current A | | | | |
| KSB-180S | 18.0 | 380-415V3N~ | 27.3 | 5*6.0 | 51*18.5*46 | 58*22*58 | 17.5~18.5 |
| KSB-225S | 22.5 | 380-415V3N~ | 34.1 | 5*6.0 | | | |
| KSB-240S | 24.0 | 380-415V3N~ | 36.4 | 5*10.0 | | | |
| KSB-300S | 30.0 | 380-415V3N~ | 45.5 | 5*10.0 | | | |
| KSB-360S | 36.0 | 380-415V3N~ | 54.5 | 5*16.0 | | | |

注明：
KSB-180S由两台KSB-90组成，KSB-225S由两台KSB-105组成，
KSB-240S由两台KSB-120组成，KSB-300S由两台KSB-150组成，
KSB-360S由两台KSB-180组成

Note:
The KSB-180S consists of two KSB-90, and the KSB-225S consists of two KSB-105.
The KSB-240S consists of two KSB-120, and the KSB-300S consists of two KSB-150.
KSB-360S consists of two KSB-180

| 蒸汽机 Steam generator | 控制器 Controller | 时间显示控制范围 Time range(minute) | 温度显示范围 Temperature display range | 温度调整范围 Temperature adjustment range | 尺寸 Dimension(mm) |
|------------------------|-------------------|--------------------------------|-------------------------------------|--|---------------------|
| KSB-C Series | KS300+KS30A | 1~60 或 不间断 Non-stop | 6-60°C (43-140°F) | 35-55°C (95-131°F) | 80*101*20 |

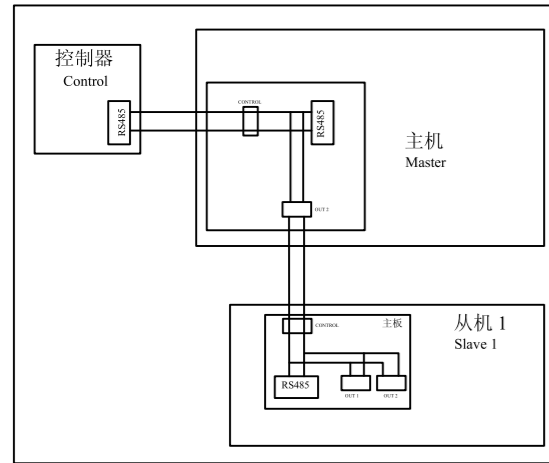
功能说明：

数显控制面板，防水防潮；双排数显温度和时间；独特的商业模式，可设置营业时间以及房体保温功能；快速出气功能；LED显示分段加热，自动分段加热，具有自诊断功能以及提示信息，缺水 and 过热保护，带外接照明灯开关，自动进水和关机自动排水。

Functions:

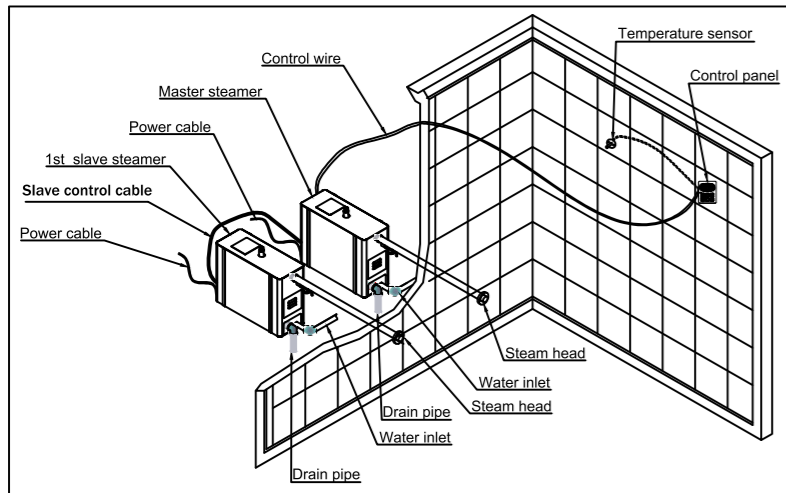
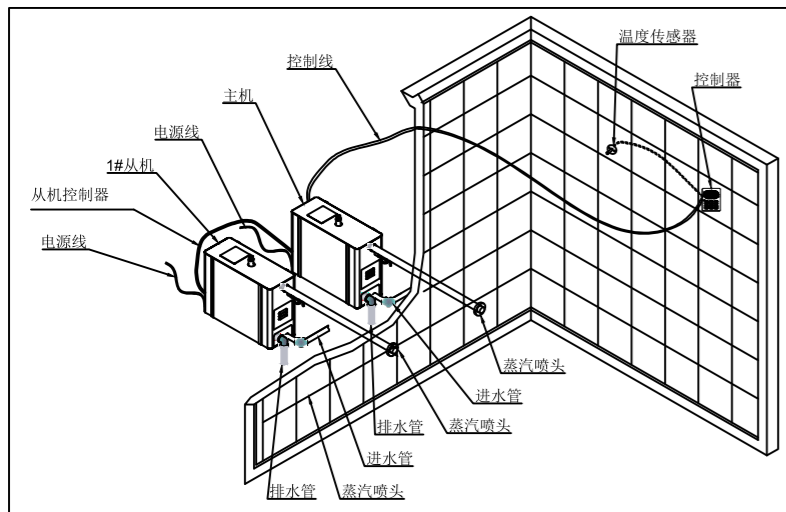
- 1, Digital Display Control Panel water-proof and steam-proof + dedicate push button controller
- 2, Digital display for both temperature and time
- 3, Heating status LED indicating
- 4, self-diagnostic function and Error message display
- 5, Unique business mode with steam room heat-preserve function and business operation hour setting
- 6, Lack- water and over-heat protection
- 7, Steam room light control button.
- 8, Automatic water feed-in and drain control.

KSB-S联机功能 KSB-S connection function



独特联机功能，可将2台KSB 蒸汽机（最大18KW）连接在一起，组成24kw-36kw的大型蒸汽机，并只使用同一个控制面板进行操作，从而避免使用大型商用蒸汽机的高额成本。

Unique series-connection, could connect two KSB steam generator (Up to 18KW) to output 24KW-36KW large steam generator, and use only the same one control panel to avoid the high cost of using large commercial steam generator.



Steamist(LT)/Amazon(AR) series steam generator 史密斯 (LT) / 亚美人 (AR) 系列蒸汽机



注：可选择不锈钢镜面材质
Note: can upgrade to stainless steel material

LT/AR 系列蒸汽机适用于家庭场所，性价比高，质量稳定，深受国内外客户喜爱。9kw及以上大功率机型推荐加装自动排水系统。

LT/AR series steam generator is suitable for residential use and well-liked for its good quality with competitive price. Auto drain system is recommended for 9kw and above.

产品特征：

- KS120防水触摸面板：可以安装在蒸汽房内。
- 多种控制面板可供选择。数字化的温度和工作时间的显示，设定，控制。
- 可加装最新的排水系统，带有手动强制排水功能。强有力的自动排水系统可以迅速排空内胆内的水，保持内胆清洁，减少水垢形成，延长电热管寿命。
- 缺水及过热保护，确保客户的安全。
- 自诊断功能以及提示信息，便于故障的诊断及维护。
- 美国UL安全标准电热管，欧盟CE安全测试。通过国际安全测试，保证产品的稳定可靠。

Features :

- KS120 waterproof touch-pad controller which could be installed inside steam room.
- Choices of digital controllers with digital setting and precise control.
- Optional Motorized automatic drain ball valve: Significantly reduce mineral accumulation and prolong life of heating elements.
- Dry and over heating protection
- Self-diagnose function with error code for easy maintenance and service.
- CE certified products with UL certified heating elements.

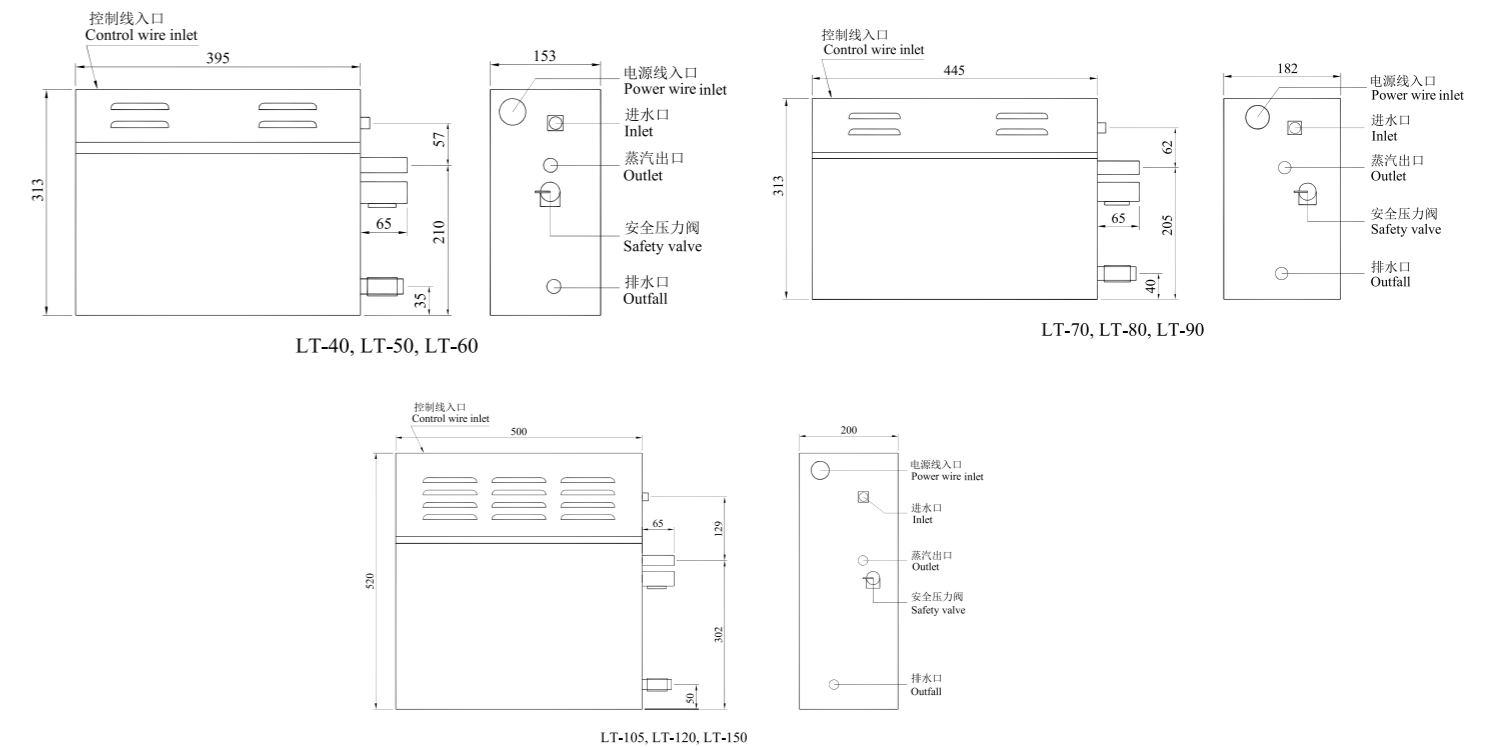
技术数据: Technical data

| 型号 Model | 功率 Power (KW) | 电源 (50/60Hz) Power supply (50/60Hz) | | 电源线(铜) N*mm2 Power wire(copper) N*mm2 | 机箱尺寸 cm Dimension cm | 包装尺寸 cm Packing dimension cm | 毛重 kg Gross weight kg |
|-------------|------------------|--|-------------------|---|-------------------------|---------------------------------|--------------------------|
| | | 电压 V Voltage V | 电流 A Current A | | | | |
| LT-40 | 4.0 | 220-240V ~ | 18.2 | 3*4.0 | 39.5*15.3*31.3 | 53.5*21*42.5 | 9 |
| LT-60 | 6.0 | 220-240V ~ 380-415V3N ~ | 27.3 9.1 | 3*6.0 5*2.5 | | | |
| LT-90 | 9.0 | 380-415V3N ~ | 13.6 | 5*6.0 | 44.5*18.2*31.3 | 53.5*21*42.5 | 11 |
| LT-105 | 10.5 | 380-415V3N ~ | 15.9 | 5*6.0 | 50*20*41 | 64*25.5*51.5 | 18 |
| LT-120 | 12.0 | 380-415V3N ~ | 18.2 | 5*6.0 | | | |
| LT-150 | 15.0 | 380-415V3N ~ | 22.7 | 5*6.0 | | | |

注: 注释: LT/AR/GT机型标配: 数显控制器, 手动排水阀门, 不锈钢内胆, 新式安全阀, 静音喷头, 温度探头和控制线。

* LT/AR/GT steam generator comes as a full kit including: digital control panel, manual drain valve, stainless steel water tank, new safety valve, water-proof connector, new quite steam nozzle temperature sensor and control cable.

外形结构图: Dimension chart



选择正确大小的蒸汽机:

1. 测量蒸汽房的长L,宽W,高H,并计算房体的体积. 体积V=长L*宽W*高H;
2. 根据蒸汽房墙体材料,决定调整指数:
 - o 亚克力墙体*1
 - o 玻璃,小片瓷砖*1.2
 - o 天然石(大理石,花岗岩,岩石)*2
 - o 如果房间高度高于2.1米*1.1
3. 计算调整后的房体体积总体积= V*调整指数

Choice the correct power size for the steam generator:

1. Measure the Length L, width W and height H of the steam room, then calculate the room volume V=L*W*H.
2. Decide the adjuster based on wall material:
 - o Acrylic wall*1
 - o Glass or ceramic tile *1.2
 - o Natural Stone(Granite,marble,slate)*2
 - o If room is higher than 2.1m*1.1
3. Adjustment total volume = V * adjuster

例如: 蒸汽房的尺寸为2米x2.5米x2.4米,墙体材料为瓷砖.则调整过后的房屋体积应该为2x2.5x2.4x1.2x1.1=16,所以应该选择16KW以上的蒸汽机。

For example: A steam room with dimension of 2m x 2.5m x 2.4m, wall material is ceramic tile. The adjustment total volume is 2x2.5x2.4x1.2x1.1=16, so at least 16KW steam generator is recommended.

LT/AR控制面板 Control panel

| 蒸汽机 Steam generator | 控制器 Controller | 时间显示控制范围 Time range(minute) | 温度显示范围 Temperature display range | 温度调整范围 Temperature adjustment range | 尺寸 Dimension(mm) |
|------------------------|-------------------|----------------------------------|-------------------------------------|--|---------------------|
| LT/AR Series | KS120 | 固定60分钟 60 minutes or Non-stop | 6-60°C (43-140°F) | 35-55°C (95-131°F) | 80*101*20 |

功能说明:

触摸式按键, 防水防潮; 数显温度和时时间; 加热指示, 具有自诊断功能以及提示信息, 缺水 and 过热保护。

Functions:

- 1, Touch buttons, water-proof and steam-proof
- 2, Digital display for both temperature and time
- 3, Heating status LED indicating
- 4, self-diagnostic function and Error message display
- 5, Lack- water and over-heat protection



| 蒸汽机 Steam generator | 控制器 Controller | 时间显示控制范围 Time range(minute) | 温度显示范围 Temperature display range | 温度调整范围 Temperature adjustment range | 尺寸 Dimension(mm) |
|--|-------------------|---|-------------------------------------|--|---------------------------|
| LT Series | TC135 | 45 | 6-60°C (43-140°F) | 35-55°C (95-131°F) | 100*100*25 (Octagon) |
| 功能说明： 数显温度；固定45分钟加热时间，加热指示，具有自诊断功能以及提示信息， 缺水和过热保护 | | Functions: 1,Fixed 45 minutes of heating time. 2,Digital display for temperature 3,Heating status LED indicating 4,self-diagnostic function and Error message display 5,Lack- water and over-heat protection | | | |

| 蒸汽机 Steam generator | 控制器 Controller | 时间显示控制范围 Time range(minute) | 温度显示范围 Temperature display range | 温度调整范围 Temperature adjustment range | 尺寸 Dimension(mm) |
|-------------------------------|-------------------|---|-------------------------------------|--|---------------------|
| AR Series | KS30A | 45 | N/A | N/A | □55×9 |
| 功能说明： 固定45分钟加热时间， 缺水和过热保护。 | | Functions: 1, Fixed 45 minutes of heating time. 2, Lack- water and over-heat protection | | | |

| 蒸汽机 Steam generator | 控制器 Controller | 时间显示控制范围 Time range(minute) | 温度显示范围 Temperature display range | 温度调整范围 Temperature adjustment range | 尺寸 Dimension(mm) |
|--|-------------------|--|-------------------------------------|--|---------------------|
| LT Series | TC135A | 1~60 or 不间断 Non-stop | 6-60°C (43-140°F) | 35-55°C (95-131°F) | 110×170×18 (oval) |
| 功能说明： 数显温度和时间，加热指示，带外接照明灯开关，具有自诊断功能以及提示信息， 缺水和过热保护。 | | Functions: 1,Digital display for both temperature and time 2,Heating status LED indicating 3,Steam room light control button. 4,self-diagnostic function and Error message display 5,Lack- water and over-heat protection | | | |

| 蒸汽机 Steam generator | 控制器 Controller | 时间显示控制范围 Time range(minute) | 温度显示范围 Temperature display range | 温度调整范围 Temperature adjustment range | 尺寸 Dimension(mm) |
|--|-------------------|--|-------------------------------------|--|---------------------|
| AR Series | TM60A | 1~60 or 不间断 Non-stop | 6-60°C (43-140°F) | 35-55°C (95-131°F) | 124×176×21 |
| 功能说明： 数显温度和时间，加热指示，带外接照明灯开关，具有自诊断功能以及提示信息， 缺水和过热保护。 | | Functions: 1,Digital display for both temperature and time 2,Heating status LED indicating 3,Steam room light control button. 4,self-diagnostic function and Error message display 5,Lack- water and over-heat protection | | | |

Steam Generator Fittings

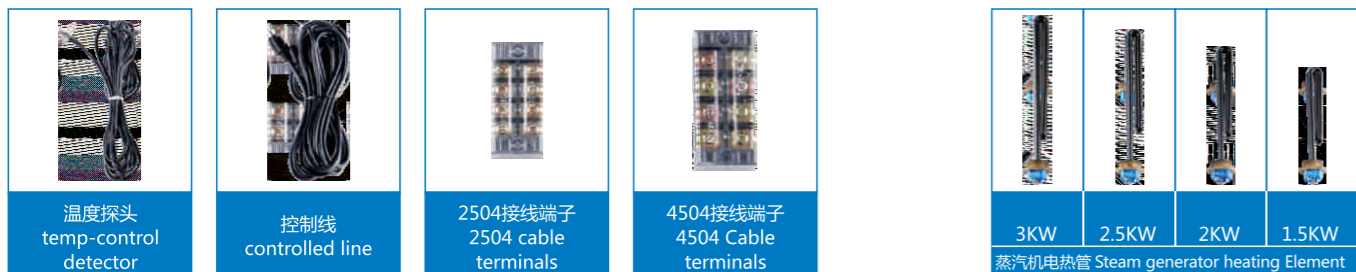
蒸汽机配件



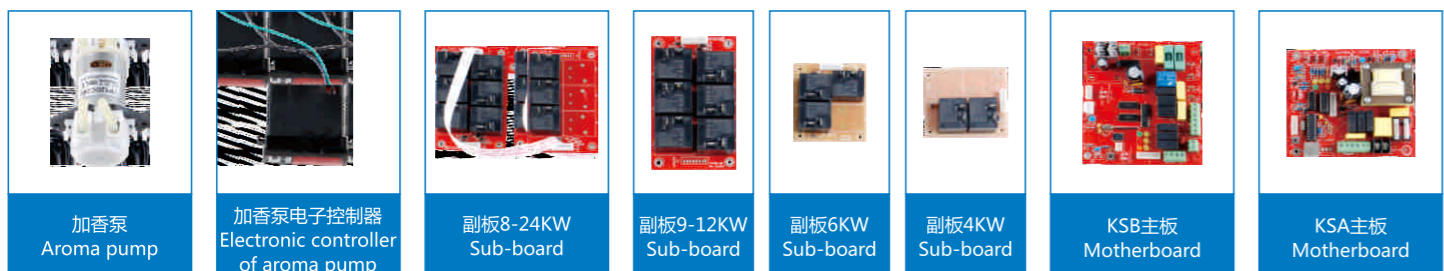
进水电磁阀A Magnetic Valve A 进水电磁阀B Magnetic Valve B 排水电磁阀 Drain solenoid valve 球阀 Manual Drain Valve 安全阀a Safety Valve A 安全阀b Safety Valve B 双泵加香器 double aroma pumps



STEAMIST/AMAZON 主板 Motherboard 副板 Sub-board 蒸汽喷头 (6分) Steam head (3/4") 蒸汽喷头 (4分) Steam head (1/2") 新静音喷头 (6分) New Quiet Steam head (3/4") 新静音喷头 (4分) New Quiet Steam head (1/2") 水位探头 water level detector



温度探头 temp-control detector 控制线 controlled line 2504接线端子 2504 cable terminals 4504接线端子 4504 Cable terminals 3KW 2.5KW 2KW 1.5KW 蒸汽机电热管 Steam generator heating Element



加香泵 Aroma pump 加香泵电子控制器 Electronic controller of aroma pump 副板8-24KW Sub-board 副板9-12KW Sub-board 副板6KW Sub-board 副板4KW Sub-board KSB主板 Motherboard KSA主板 Motherboard

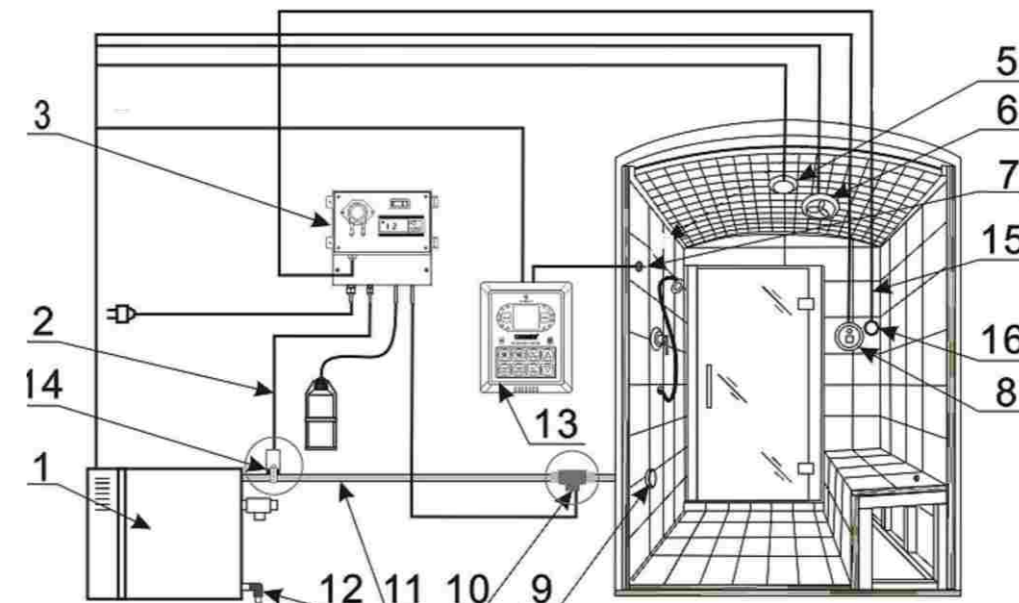
Aroma Pump

加香泵



香薰疗法 (也称芳香疗法), 是一门使用植物精油提升身体和精神疗效的艺术。把植物的荷尔蒙经由皮肤和呼吸系统吸收, 调节人体中枢神经系统、血液循环、内分泌、皮肤养护等八大系统而激发人体自身的治愈、平衡及再生功能。使身心恢复协调, 消除忧郁、焦虑、烦闷、愤怒等情绪和疲劳感, 来达到一种身、心、灵皆俱舒畅的感觉。柯亚公司研发的加香泵可以与任何蒸汽机连接, 根据需求, 设定用量, 全自动的定时定量的将香薰油与蒸汽混合, 喷洒在蒸汽房内, 使客人在蒸汽理疗过程中吸入沁入肺腑的香味, 精神得以充分放松, 达到香薰疗法的作用。

Aromatherapy is a practice to use plant oils for physical and psychological well-beings. The Aroma pump KEYA developed is easy for installation and could be simply connected to any brand of steam generator. It operates fully automatically according to the user-set time and dosing amount, mix aroma oil with steam and bring freshness to client.





The Sauna Stove

桑拿炉

20世纪初，芬兰的工厂开始批量生产金属材质的桑拿炉，一个新兴的桑拿炉产业也随之形成。传统的桑拿炉靠燃烧木材加热，随着现代生活方式的全面发展，这种加热方式与人们的生活格格不入，于是，以电为能源的桑拿炉面市。柯亚桑拿炉设备，引进国际尖端技术，将科技融入人们的生活，只需轻轻一按，则可以持续加热，安全、快速、方便。

At the beginning of the twentieth century, Finland factory started mass production of metal sauna stove, then a emerging sauna stove industry formed. The traditional heating of sauna stove is by wood burning. With the full development of modern life style, this kind of heating way is not harmonized with people's life. Then electric sauna stove comes to the market. Keya sauna stove is integrated with international top technology, and realizes continuous heating just by a simple pressing, safe, fast and convenient.

NEW tower style electric sauna heater series

最新塔式电桑拿炉系列



HYB系列 HYB Series



HYB系列电桑拿炉具有UL认证电热管,独特的电热管分段加热,减少能耗,有效延长电热管寿命.同时具备高温过热保护系统,数字温度控制.独特的商业模式,拥有更大的石头容量以及独特的仿真火焰等一系列特点。

HYB series electric sauna heater has UL certified electric heating tube, unique electric heating tube sectional heating, reducing energy consumption and effectively extending the life of electric heating tube. At the same time, it has a high temperature overheat protection system, digital temperature control, unique business model, a larger stone capacity and a unique simulation flame.

技术数据: Technical data

| 型号 Model | 功率 Power KW | 电源Power supply 50/60Hz | 电流 Current A | 电源线(铜) Power wire (copper)N*mm2 | 外形尺寸 Dimensions cm | 包装尺寸 Packing size cm | 毛重 Gross weight kg |
|-------------|----------------|---------------------------|-----------------|---------------------------------------|--------------------------|----------------------------|-----------------------|
| HYB45 | 4.5 | 220-240V~ | 20.5 | 3*4.0 | 34*34*93 | 45*36*77 | 18.2 |
| | | 380-415V~ | 6.8 | 5*2.5 | | | |
| HYB60 | 6.0 | 220-240V~ | 27.3 | 3*6 | 34*34*93 | 45*36*77 | 18.2 |
| | | 380-415V~ | 9.1 | 5*2.5 | | | |
| HYB90 | 9.0 | 220-240V~ | 40.9 | 3*10 | 34*34*93 | 45*36*77 | 18.2 |
| | | 380-415V~ | 13.6 | 5*6.0 | | | |

LD Series Electric Sauna Heater

LD 系列电桑拿炉



LD系列电桑拿炉具有UL认证电热管,独特的电热管分段加热,减少能耗,有效延长电热管寿命.同时具备高温过热保护系统,数字温度控制,独特的商业模式,拥有更大的石头容量等一系列特点.

LD series electric sauna heater has UL certified electric heating tube, unique electric heating tube sectional heating, reducing energy consumption and effectively prolonging the life of electric heating tube. At the same time, it has a high temperature overheat protection system, digital temperature control, unique business model, and a series of features such as larger stone capacity.

技术数据: Technical data

| 型号 Model | 功率 Power KW | 电源Power supply 50/60Hz | 电流 Current A | 电源线(铜) Power wire (copper)N*mm ² | 外形尺寸 Dimensions cm | 包装尺寸 Packing size cm | 毛重 Gross weight kg |
|----------|-------------|------------------------|--------------|---|--------------------|----------------------|--------------------|
| LD70 | 7 | 220-240V~ | 40 | 3*6 | 34*34*93 | 39*39*104 | 21 |
| | | 380-415V~ | 16 | 5*2.5 | | | |
| LD90 | 9 | 220-240V~ | 60 | 3*10 | | | |
| | | 380-415V~ | 16 | 5*6.0 | | | |

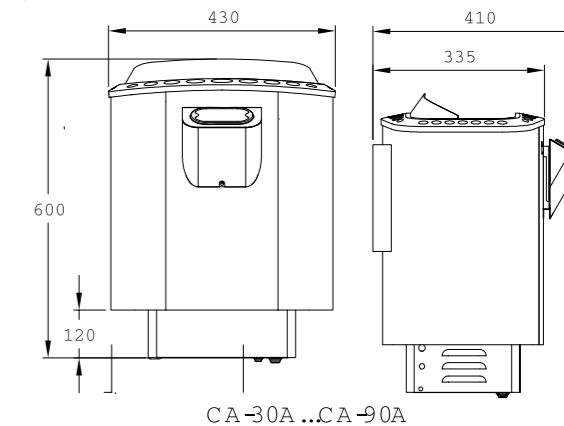
COASTS CA-A Series

柯仕(COASTS)牌CA-A系列

CA-A系列 CA-A Series



外形结构图: Dimension chart



CA-A型内控桑拿炉是柯亚公司最新研发设计的新一代桑拿炉,采用通过装在炉体上的电子控制器(数字显示),实现对桑拿炉的定时、加热等功能的智能控制。该款桑拿炉采用优质的材料,流线形的外观设计,铝质的桑拿炉盖,独特的炉腔构造,分段交替的加热方式和多重安全保护,其先进的技术和优质的品质受到国内外客户的关注和欢迎。该款机型已获得CE认证

- 1.Unique on-heater digital control for easy and accurate operation
- 2.Unique chimney design provides better circulation, fast heat-up and save energy.
- 3.Unique segment-heating function, prolong life of heating elements and save energy
- 4.Multiple safety protection devices
- 5.UL certified heating elements
- 6.Large rock chamber to reserve more heat
- 7.CE certified product

技术数据: Technical data

| 型号 Model | 功率 Power KW | 电源 Power supply 50/60Hz | 电流 Current A | 电源线(铜) Power wire (copper)N*mm ² | 外形尺寸 Dimension cm | 包装尺寸 Packing size cm | 毛重 Gross weight kg |
|----------|-------------|-------------------------|--------------|---|-------------------|----------------------|--------------------|
| CA-30A | 3.0 | 220-240V~ | 13.6 | 3*2.5 | 45*29.2*60 | 52*33*67 | 18 |
| | | 380-415V3N~ | 4.6 | 5*2.5 | | | |
| CA-45A | 4.5 | 220-240~ | 20.5 | 3*4.0 | | | |
| | | 380-415V3N~ | 6.8 | 5*2.5 | | | |
| CA-60A | 6.0 | 220-240V~ | 27.3 | 3*6.0 | | | |
| | | 380-415V3N~ | 9.1 | 5*2.5 | | | |
| CA-90A | 9.0 | 220-240V~ | 40.9 | 3*10.0 | | | |
| | | 380-415V3N~ | 13.6 | 5*6.0 | | | |

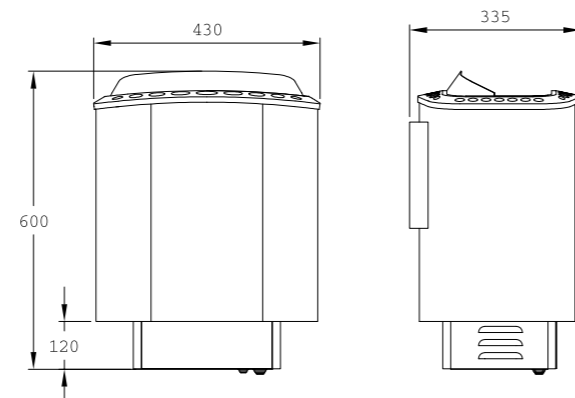
COASTS CA-C Series

柯仕(COASTS)牌CA-C系列

CA-C外控系列 CA-C Series



外形结构图 : Dimension chart



CA-30C ...CA-90C

CA-C是CA系列的外控版本，单独的CON6控制器与壁挂式桑拿炉分开安装，配有单独的电源接驳箱，便于安装与管理，系统更稳定。带有风扇和照明灯的开关。

CA-C series sauna heater carry the same design as CA-A. The digital control panel CON6 is separated from the sauna heater and comes with dedicated power box for easy installation and better stability. Sauna room fan and light control buttons.

技术数据: Technical data

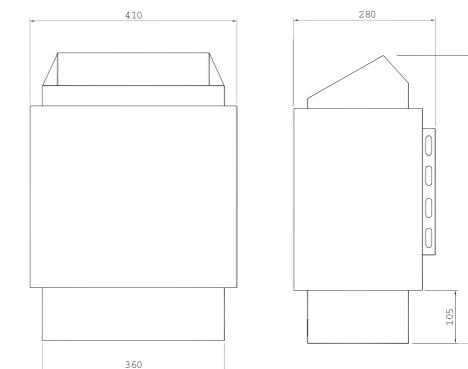
| 型号 Model | 功率 Power KW | 电源 Power supply 50/60Hz | 电流 Current A | 电源线(铜) Power wire (copper)N*mm ² | 外形尺寸 Dimension cm | 包装尺寸 Packing size cm | 毛重 Gross weight kg |
|-------------|----------------|----------------------------|-----------------|---|-------------------------|----------------------------|--------------------------|
| CA-30C | 3.0 | 220-240V~ | 13.6 | 3*2.5 | 45*29.2*60 | 52*33*67 | 21 |
| | | 380-415V3N~ | 4.6 | 5*2.5 | | | |
| CA-45C | 4.5 | 220-240~ | 20.5 | 3*4.0 | | | |
| | | 380-415V3N~ | 6.8 | 5*2.5 | | | |
| CA-60C | 6.0 | 220-240V~ | 27.3 | 3*6.0 | | | |
| | | 380-415V3N~ | 9.1 | 5*2.5 | | | |
| CA-90C | 9.0 | 220-240V~ | 40.9 | 3*10.0 | | | |
| | | 380-415V3N~ | 13.6 | 5*6.0 | | | |

AMAZON AM-MI Series

AM-MI系列 (亚美人AMAZON)



外形结构图 : Dimension chart



AM30M ...AM90M I

亚美人(AMAZON)桑拿炉为柯亚公司生产了十多年的传统机型，公司多次针对产品的稳定性，耐久性以及机身的强度进行过改良。该机成熟稳定，坚固耐用。内胆采用耐高温镀锌板，炉体外壳采用镀锌板表面喷氟碳涂层，高温下坚固耐用不变形，双重防腐；独特的炉盖设计起到加固整体结构的作用；客人可以根据需要，选择经济实用的机械式控制，或是先进精准的外控数字控制器；CE认证产品。

Amazon series (AM-MI)sauna heater is the best-seller since 1997 and we keep improving it for durability, stability,better structure design, and energy saving The AM-MI sauna heater is mature and reliable. The inner tank is made of high temperature resistant galvanized sheet, and external shell is made of galvanized sheet with luorocarbon coating, so it will prevent deformation under high temperature and is also rust-resistant. The special heater cover will enhance the structure strength against deformation under high temperature Customer could choose the economic on-heater mechanical control or external digital control panel for advanced functions and accurate-operation. Please refer to the following "Control panel"selection CE certified product

技术数据: Technical data

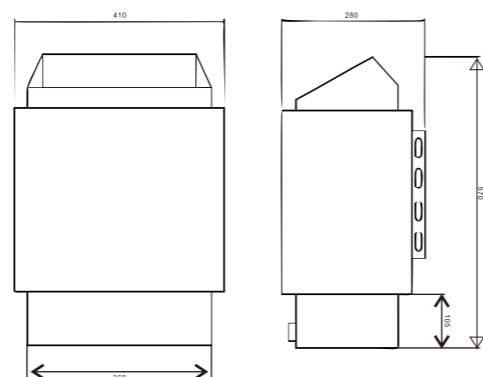
| 型号 Model | 功率 Power KW | 电源 Power supply 50/60Hz | 电流 Current A | 电源线(铜) Power wire (copper)N*mm ² | 外形尺寸 Dimension cm | 包装尺寸 Packing size cm | 毛重 Gross weight kg |
|-------------|----------------|----------------------------|-----------------|---|-------------------------|----------------------------|--------------------------|
| AM45MI | 4.5 | 220-240~ | 20.5 | 3*4.0 | 41*28*57 | 41.5*28.5*59.5 | 11-12.5 |
| | | 380-415V3N~ | 6.8 | 5*2.5 | | | |
| AM60MI | 6.0 | 220-240V~ | 27.3 | 3*6.0 | | | |
| | | 380-415V3N~ | 9.1 | 5*2.5 | | | |
| AM80MI | 8.0 | 220-240V~ | 36.4 | 3*10.0 | | | |
| | | 380-415V3N~ | 12.1 | 5*4.0 | | | |
| AM90MI | 9.0 | 220-240V~ | 40.9 | 3*10.0 | | | |
| | | 380-415V3N~ | 13.6 | 5*6.0 | | | |

AM-MI-C Economic Sauna Heater

AM-MI-C 经济型桑拿炉



外形结构图 : Dimension chart



为回馈广大用户支持，柯亚公司特意恢复了传统的AM-MI-C系列经济机型，采用430不锈钢外壳，成本更低，性价比更高，可配CON4外控器。CE认证产品。

AM-MI-C series is the economic version of AM-MI series sauna heater with 430 stainless steel casing. It keeps similar function and construction to AM-MI series and with lower costs, suitable for customer With specific budget, CON4 digital controller is available

技术数据: Technical data

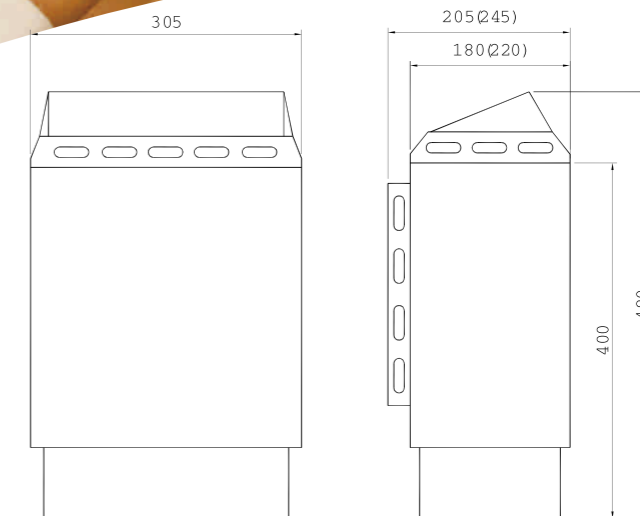
| 型号 Model | 功率 Power kW | 电源 Power supply 50/60Hz | 电流 Current A | 电源线(铜) Power wire (copper)N*mm2 | 外形尺寸 Dimension cm | 包装尺寸 Packing size cm | 毛重Gross weight kg |
|-------------|----------------|-------------------------------|-----------------|---------------------------------------|----------------------|-------------------------|----------------------|
| AM45MI-C | 4.5 | 220-240V ~ | 20.5 | 3*2.5 | 41*28*57 | 41.5*28.5*59.5 | 11-12.5 |
| | | 380-415V3N ~ | 6.8 | 5*2.5 | | | |
| AM60MI-C | 6.0 | 220-240V ~ | 27.3 | 3*6.0 | | | |
| | | 380-415V3N ~ | 9.1 | 5*2.5 | | | |
| AM80MI-C | 8.0 | 220-240V ~ | 36.4 | 3*10.0 | | | |
| | | 380-415V3N ~ | 12.1 | 5*4.0 | | | |
| AM90MI-C | 9.0 | 220-240V ~ | 40.9 | 3*10.0 | | | |
| | | 380-415V3N ~ | 13.5 | 5*6.0 | | | |



AMAZON AM A Series

AM-A系列 (亚美人AMAZON)

AM-A 系列小桑拿炉 AM-A series Mini sauna heater 外形结构图: Dimension chart



AM 30A (AM 45A)

该机型为壁挂式小型桑拿炉，适用于小型桑拿房或是红外光波房改造项目等空间局促的场合。客人可以根据需要，选择经济实用的机械式控制，或是先进精准的外控数字控制器CON4。

AM-A series sauna heater is mini type suitable for constrained-space projects, such as small residential sauna room or infrared sauna room use. Client could choose the economic mechanic control knob or digital controller CON4.

技术数据: Technical data

| 型号 Model | 功率 Power KW | 电源 Power supply 50/60 Hz | 电流 Current A | 电源线(铜) Power wire (copper)N*mm2 | 外形尺寸 Dimension cm | 包装尺寸 Packing size cm | 毛重 Gross weight kg |
|-------------|----------------|-----------------------------------|-----------------|---------------------------------------|----------------------|----------------------------|--------------------------|
| AM30A | 3.0 | 220-240V ~ | 13.6 | 3*2.5 | 30.5*20.5*48 | 31.5*22*50 | 7.3 |
| AM45A | 4.5 | 220-240V ~ | 20.5 | 3*4.0 | 30.5*24.5*48 | 32.3*27.5*50.5 | 8.7 |
| | | 380-415V3N ~ | 6.8 | 5*2.5 | | | |

Wood Burning Sauna Stove

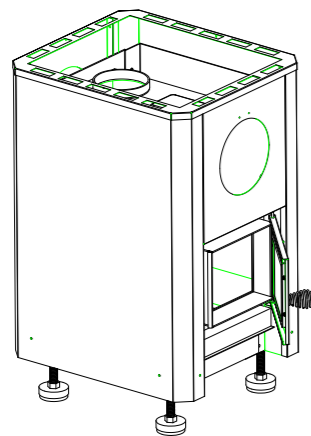
木材燃烧式桑拿炉



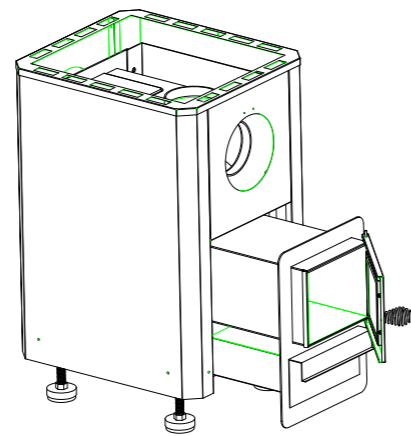
可达到相当于电热式桑拿炉的最大功率。
It could reach the biggest power same as the electrical sauna heater.

外形结构图: Dimension Chart

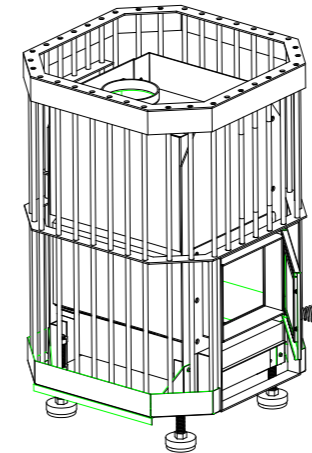
型号Model:CY-(15.18.22)A



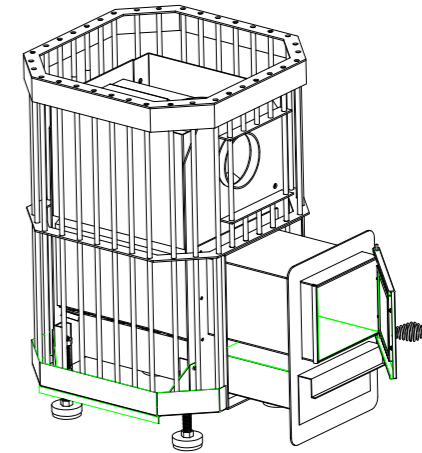
型号Model:CY-(15.18.22)A-L



型号Model:CY-(15.18.22)B



型号Model:CY-(15.18.22)B-L



技术数据: Technical data

| 型号 Model: | 外形尺寸 Outer size: | 内部尺寸 Inner size: |
|-------------------|------------------|------------------|
| CY-15A MAX 15KW | 400×460×680MM | 320×340×580 |
| CY-18A MAX 18KW | 480×580×780MM | 400×460×680 |
| CY-22A MAX 22KW | 490×600×830MM | 410×480×730 |
| CY-15A-L MAX 15KW | 690×460×680MM | 320×340×580 |
| CY-18A -LMAX 18KW | 770×580×780MM | 400×460×680 |
| CY-22A-L MAX 22KW | 780×600×830MM | 410×480×730 |
| CY-15B MAX 15KW | 480×480×660MM | 320×340×580 |
| CY-18BMAX 18KW | 600×600×760MM | 400×460×680 |
| CY-22BMAX 22KW | 620×620×810MM | 410×480×730 |
| CY-15B-L MAX 15KW | 770×480×660MM | 320×340×580 |
| CY-18B-L MAX 18KW | 890×600×760MM | 400×460×680 |
| CY-22B-L MAX 22KW | 910×620×810MM | 410×480×730 |

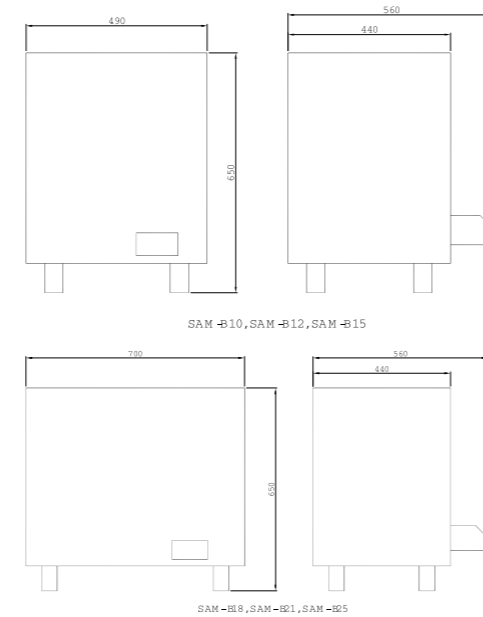
AMAZON SAM-B Series

SAM-B系列 (亚美人AMAZON)

SAM-B系列 SAM-B Series



外形结构图 : Dimension chart



SAM-B 是落地式的大功率桑拿炉，一般用于商业场所。配有CON4或者CON6数字控制面板。如果没有特殊要求，SAM-B一般为380-418V，3相机器。

SAM-B series sauna heater is large power commercial sauna heater and could be installed on-ground. It equips with digital control panel, and you could choose either CON4 or CON6. SAM-B sauna heaters are normally 380-418, 3phase units.

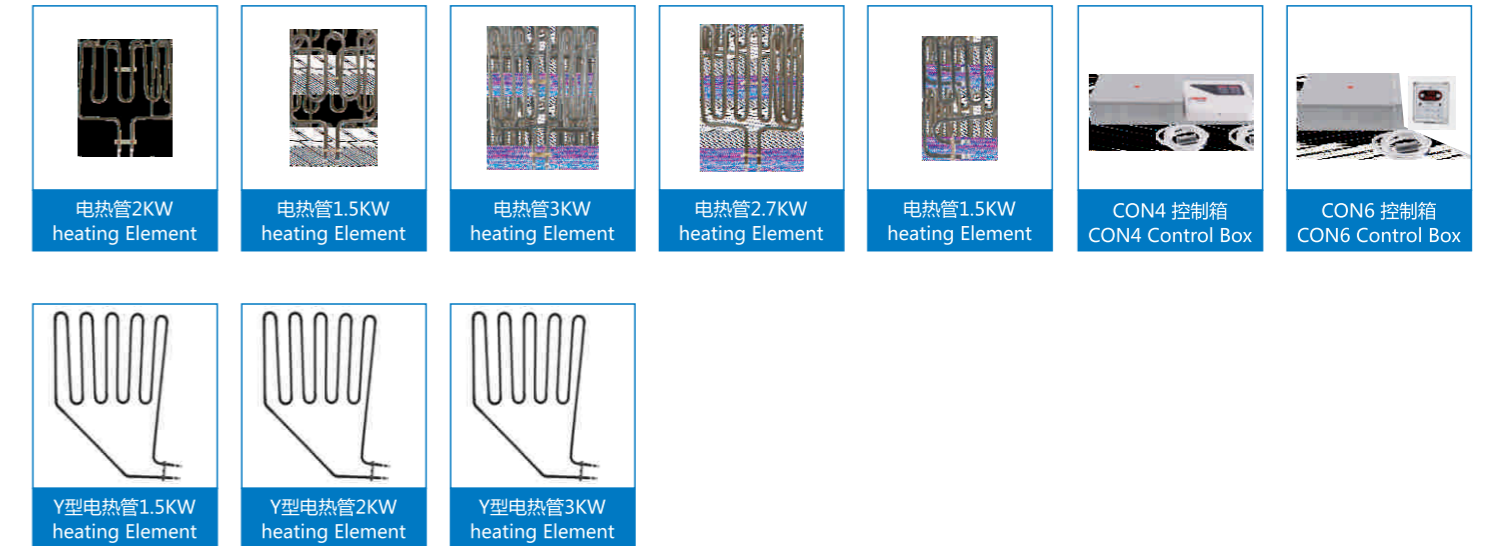
技术数据: Technical data

| 型号 Model | 功率 Power KW | 电源 Power supply 50/60Hz | 电流 Current A | 电源线(铜) Power wire (copper)N*mm ² | 外形尺寸 Dimension cm | 包装尺寸 Packing size cm | 毛重 Gross weight kg |
|-------------|----------------|-------------------------|-----------------|--|----------------------|-------------------------|-----------------------|
| SAM-B10 | 10.5 | 380-415V3N~ | 16 | 5*6.0 | 49*56*65 | 51.5*57*68 | 26-27 |
| SAM-B12 | 12.0 | | 18.2 | 5*6.0 | | | |
| SAM-B15 | 15.0 | | 22.7 | 5*6.0 | | | |
| SAM-B18 | 18.0 | | 27.3 | 5*6.0 | 70*56*65 | 72.5*57*68 | 37-39 |
| SAM-B21 | 21.0 | | 31.8 | 5*6.0 | | | |
| SAM-B25 | 25.0 | | 40.9 | 5*10.0 | | | |

Sauna Heater Fittings

桑拿炉配件

桑拿炉配件 Sauna Heater Fittings



技术数据: Technical data

| 产品 Product | 型号 Model | 名称 Name | 尺寸规格 Size(mm) | 适用功率范围 Applicable input | 备注 Remark |
|---------------|-------------|---|------------------|--|--|
| | CON4 | 数显型桑拿炉外控器 Digital type out-controller sauna heater | 250*220*80 | 3-9(KW) | 数字显示控制 Digital display |
| | | | | 10.5-15(KW) | |
| | | | | 18-25(KW)配交流接触箱 18-25 (KW) Is equipped with contactor box | |
| | CON6 | Con6豪华型数显桑拿控制器 CON 6 luxury digital sauna controller | 122*102*20 | 3-9(KW) 配控制箱 3-9KW is equipped with control box | 数字显示控制，外控 Digital display, wall-mounted digital control, outer controller |



Sauna Room

桑拿房

桑拿浴通过高温刺激细胞运动，加速人体新陈代谢，能够有效达到消脂排毒的功效。因此，越来越多的成功人士采用桑拿来消除一天的疲劳，缓解积聚的压力。

柯亚时尚铝框型房体在保留传统桑拿经典元素的同时，加以现代设计理念，用全金属铝框代替，配合高透明度的钢化玻璃所带来的大视角，旨在让用户享受最纯正舒适桑拿体验的同时，也能感受到与众不同的现代时尚感。其时尚前卫的设计与您浴室或是场所的典雅高贵的装修风格完美融合，我们提供多种尺寸使您能够随心所欲的根据需求选购，您也可以要求安装CD音响系统以及臭氧杀菌系统来完善您的桑拿房体。

时尚的设计配合着出色的多彩灯光系和惊喜的制作工艺，我们希望带给客户最完美的产品和最舒适的享受。

Sauna to stimulate cell movement through the high temperature, speed up the body The new supersedes the old., can effectively achieve the effectiveness of detoxification xiaozhi. Therefore, successful people more and more using the sauna to eliminate a day of fatigue, ease the pressure build-up.

Keya fashion aluminum frame type housing body to retain the traditional sauna classical elements at the same time, to the modern design idea, replaced by all metal aluminum frame with large view angle, high transparency toughened glass brings, to enable users to enjoy the most pure and comfortable sauna experience at the same time, also can feel out of the ordinary sense of the modern fashion. The stylish design and your bathroom or places of the noble and elegant style of the decoration of perfect fusion, we provide various size so that you can freely according to the requirement of choose and buy, you can also require the installation of a CD sound system and ozone sterilization system to improve your sauna body.

Fashion design with excellent craftsmanship and colorful lighting system and surprise, we hope to give the customer the most perfect products and the most comfortable enjoyment.

F Type Of Sauna Room Series

F型桑拿房系列



产品特征：

- 该桑拿房采用模块化的结构设计以方便拼装.
- 现代款式的风格兼备传统桑拿房浴室模式凸显古风犹存, 使用特殊结构设计使其具备节能效果.
- 标配HYB型仿真火焰桑拿炉.
- 桑拿房里的仿真北极光星空背景墙使人仿佛置身于夜幕下的北极旷野中, 更凸显北欧的桑拿文化.

Features :

- Modular structure:** to facilitate assembly
- Modern and energy-saving:** Modern design for genuine traditional sauna. Special structure also makes it energy-saving.
- Simulated flame electric sauna heater:** Our Unique HYB type simulated flame electric sauna heater provide you the wild and traditional warmth in your modern home.
- Aurora background light wall:** Our aurora background light wall highlights the culture of the Nordic sauna and make you feel in the wild of Arctic.



"H" Model Outdoor Barrel Sauna

H型户外圆木桶桑拿房



H型户外圆木桶桑拿房 "H" Model Outdoor Barrel Sauna

圆木桶桑拿房有别于传统式的桑拿房，它像一桶，大而圆，我们为了方便用户的出入，在桶的其中一端特意安装了一扇门。因为这款桑拿房是为了满足那些想在户外洗桑拿的人群而专门设计的，所以尤其是在用料方面我们很讲究。我们选用了最好的加拿大红雪松和北欧松木，这两种木材具有色彩艳丽，结实和经久耐用等特点。

另外为了迎合市场的需要，我们推出了加装型的圆桶桑拿房，在门的一端加装了木座椅和门庭，这样就更好地迎合了客人想一边欣赏风景，一边呼吸着清新空气的需要了。此款圆木桶桑拿房的独特设计和用料绝对是您花园装饰和实用的理想选择。

产品特征：

- ◆现代流行的设计，玻璃钢防水底坐。
- ◆38.5mm厚的实心北欧松木及红雪松制作。
- ◆完全天然的木材烘干不退色，且散发出特殊的香味。
- ◆木桶桑拿房圆弧形的构造，并使用不锈钢带紧箍、经久而耐用。
- ◆采用钢化玻璃的桑拿门。
- ◆配墙挂防潮灯，温湿度计，毛巾架及水杯架。
- ◆木桶及木勺（给桑拿增湿的）。
- ◆桑拿枕及靠背垫。

售后服务：我公司对木制产品因生产缺陷所造成的质量问题提供5年质保。
Warranty: 5-year limited warranty against manufacturing defects for wood product.

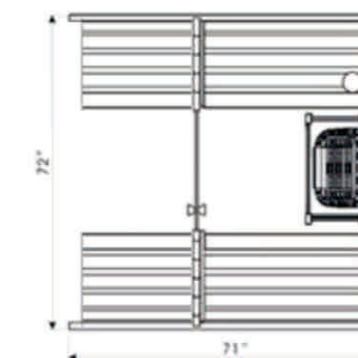
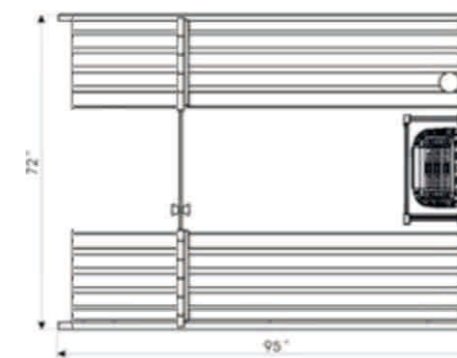
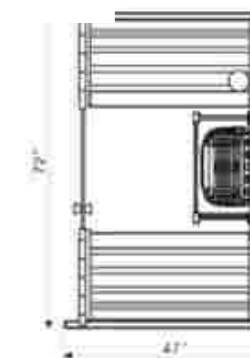
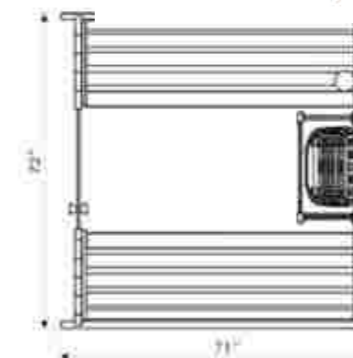
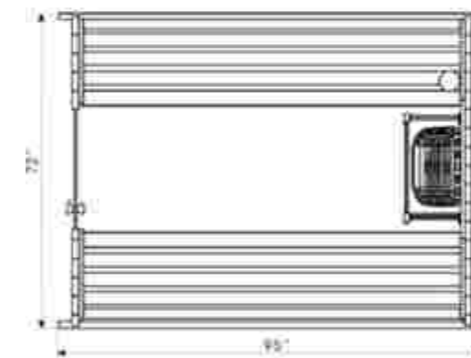
Barrel sauna is different from traditional indoor Sauna room, it is large and rounded like barrels, with a door at one end of the barrel for entering and exiting the sauna. The barrel sauna room is specially designed for outdoor use so it does not take a room inner the house and give customer more flexibility. We only choose the best Western Red Cedar or Nordic Pine for of its strength, stability and long lasting beauty. It is naturally resistant to decay and insect damage. The barrel saunas are so beautiful that they become great ornament for your garden or backyard environment We proudly introduce our new stylish canopy barrel Sauna Which come with sheltered porch and external seating, so customers could enjoy the fresh air and beautiful view, and the barrel sauna also provides a perfect party space With your swimming pool or outdoor SPA

Features:

- ◆ popular modern design, reinforced and waterproof fibreglass cradles
- ◆ 38.5mm thickness solid Nordic pine or upgraded to Canadian Western Red Cedar
- ◆ completely natural wood construction.
- ◆ Unique arch shape for 25% - 30% less volume of heating area compared to square shaped rooms
- ◆ Pre-hanged sauna door with tempered glass.
- ◆ equip with waterproof wall light, thermometer and hygrometer, towel rack and water cup holder.
- ◆ bucket and spoon for wet sauna
- ◆ sauna pillow and backrest
- ◆ Electrical sauna heater kit.

"H" Model Outdoor Barrel Sauna Series

H型户外圆木桶桑拿房系列



技术数据: Technical data

| 型号 Model | 规格 Specifications(mm) | 人数 Capacity | 材质选择 Wood option |
|------------|-----------------------|-------------|---|
| FY(R)-1812 | Φ1800*1200 | 2人 (Person) | 北欧松木Nordic pine (R: 加拿大红雪松western red cedar) |
| FY(R)-1818 | Φ1800*1800 | 4人 (Person) | 北欧松木Nordic pine (R: 加拿大红雪松western red cedar) |
| FY(R)-1824 | Φ1800*2400 | 6人 (Person) | 北欧松木Nordic pine (R: 加拿大红雪松western red cedar) |

可选设计及配件 Optional design and accessories

1: 加拿大红雪松 Western Red Cedar



西红柏以其天然形成的对潮湿、腐蚀和虫害的抵抗力而闻名。在加拿大，这种树只生长于列哥颠伦比亚省，可见于太平洋沿岸至同拉斯加的区域以及内陆湿润地带的山谷中。这是太平洋地区最大的树种之一，单独生长或者小面积分散生长，从来没有任何程度纯粹丛生。

The strength and hardness of Canadian pine are excellent but with light weight Processing performance: In general, these wood dry quickly, changes small size, low tendency to crack, and it is relatively easy be processed, screws of the clamping force is moderate, and be able to attract a good paint coating finish. Canadian Western Red Cedar (Thuja Plicata) is renowned for its natural beauty and outstanding physical properties that make it one of the world's most unique softwood species. This exceptionally beautiful wood has natural coloring in mellow ambers, reddish cinnamons and rich sienna browns.

2: 北欧松木 Nordic Pine



芬兰云松生长在北欧，异常寒冷及漫长的冬天使一年中只有大约一百天的树木生长季，缓慢匀称的生长成就了最佳的木材，芬兰云杉树干形直、敏细密通直、节少、材性稳定、不易变形、开裂、材质轻软、耐朽力强、光泽美丽、易于加工，它的最大优点是制成成品后，不挠曲、不反张、不弯形、不走样、以及它本身所具有的乘和色彩，细腻质感和天然纹理是用于室内，户外桑拿房及其木制桑拿附件的绝好材料

Finnish spruce growth in the northern Europe , its unusually cold and long winter that cause only about 100 days of the year is wood growing season, a slow growth has created the best wood, the Finnish spruce with straight trunk, fine-grained section, few knot, and stabile material, not easy to deformation, not easy to crack, soft and light material, strong rot-resistant, shiny and beautiful, easy to Processing. Its biggest advantage is the finished goods that has no deflection, not anti-sheets, not curved, and with its gentle color, so it is the best material to choose for making the indoor or outdoor sauna room, wooden sauna accessories with its fine texture and natural textures.

T: 带门庭 Front Porch.

E: 普通内控桑拿炉 Electric Sauna heater.

L: 长炉口木材燃烧炉 Wood burning heater with long neck.

S: 短炉口木材燃烧炉 Wood burning heater.

B: 带透明亚克力观光球 Panorama view Ball.

W: 带窗 Window.



T: 带门庭 Front Porch.



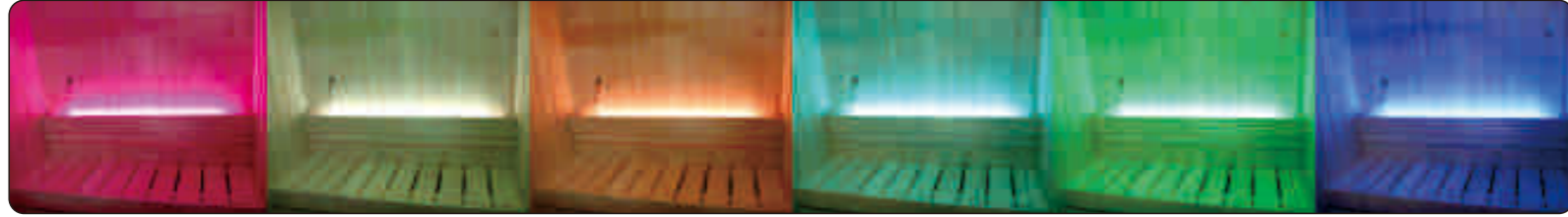
W: 带窗 Window.



B: 带透明亚克力观光球 Panorama view Ball.

Z Type Of Sauna Room Series Z型桑拿房系列





房体内饰采用高等芬兰松木，木料所散发出的自然香味，配合香熏效果和本公司独特的定彩/变彩灯光效果，温馨而又舒适，让您全身心充分放松。芬兰白松木耐高温性强，在高温下仍能保持凉爽，此木料制成的座椅能够让用户更加舒适的享受桑拿效果。我们立志为您带来最高品质的产品，您将看到精细的做工体现在每一个细节。紧密的木料连接，配合高强度加厚磁吸钢化玻璃门保证了房体的隔热性，在提高桑拿效果的同时，更为您节省大量能源开支。而极限高温保护装置则杜绝一切意外的可能，确保您的安全。

The interiors is built with high quality Finnish cedar which remains cool in high temperature environment, while polished Aluminum is adopted as the frame of the sauna room to fit you modern decorated home or sauna club. Once you step in, the original color of cedar, the nature fragrance of wood and the gorgeous colorful lighting system will lead you to the fairyland. The thick and durable toughened glass door with magnetic catch will ensure a superb insulation insulation which means high energy efficiency. The high-temp-protection system will give you the Highest standard of safety protection.



SAL Type Of Sauna Room Series

SAL型桑拿房系列



E Type Of Sauna Room Series

E型桑拿房系列



F-HW Type Of Sauna Room Series

F-HW型桑拿房系列



注：该房体长度可定制，可根据客户要求进行搭配定制，详询销售员。
Note: The length of the room can be customized. It can be matched and customized according to customers' requirements, and the salesperson can be consulted in detail.

技术数据: Technical data

| 型号 Model | 规格 Specifications(mm) | 人数 Capacity | 材质选择 Wood option |
|----------|-----------------------|-------------|--|
| FHW | 2600*2025*2445 | 4人 (Person) | 北欧松木Nordic pine 加拿大红雪松western red cedar |
| | 3200*2025*2445 | 6人 (Person) | 北欧松木Nordic pine 加拿大红雪松western red cedar |

T-HW Type Of Sauna Room Series

T-HW型桑拿房系列



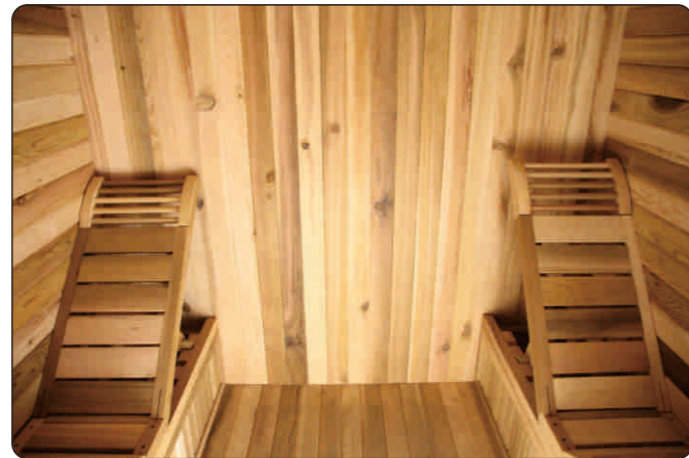
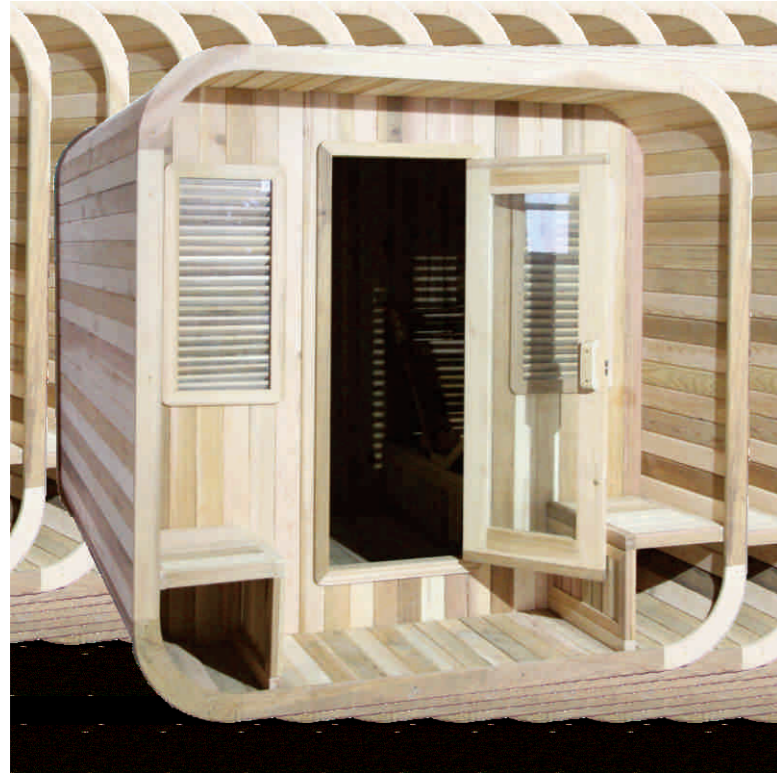
注：该房体长度可定制，可根据客户要求进行搭配定制，详询销售员。
Note: The length of the room can be customized. It can be matched and customized according to customers' requirements, and the salesperson can be consulted in detail.

技术数据: Technical data

| 型号 Model | 规格 Specifications(mm) | 人数 Capacity | 材质选择 Wood option |
|----------|-----------------------|-------------|--|
| THW | 1800*2150*2150 | 4人 (Person) | 北欧松木Nordic pine 加拿大红雪松western red cedar |
| | 2400*2150*2150 | 6人 (Person) | 北欧松木Nordic pine 加拿大红雪松western red cedar |

V-HW Type Of Sauna Room Series

V-HW型桑拿房系列



注：该房体长度可定制，可根据客户要求进行搭配定制，详询销售员。
Note: The length of the room can be customized. It can be matched and customized according to customers' requirements, and the salesperson can be consulted in detail.

技术数据: Technical data

| 型号 Model | 规格 Specifications(mm) | 人数 Capacity | 材质选择 Wood option |
|----------|-----------------------|------------------|--|
| VHW | 1800*2000*2000 | 2-4人 (Person) | 北欧松木Nordic pine 加拿大红雪松western red cedar |
| | 2400*2000*2000 | 4-6人 (Person) | 北欧松木Nordic pine 加拿大红雪松western red cedar |

Sauna Door

桑拿门

一扇玻璃门使柔和的光线照入你的桑拿房，更有增加亮度和空间的感觉。柯亚公司制作的桑拿门玻璃经钢化处理，再配上硬木制作的门把手，不锈钢装饰的铝质门铰磁碰美观又安全。

A soft light enter into your sauna room through the glass door, which can increase the feeling of brightness and space. The sauna door glass made by Koya Company is tempered and. After the steel process and match the hardwood door handle, stainless steel decorated door hinges not only beautiful but also security.



SDZ系列Series



SDO系列Series



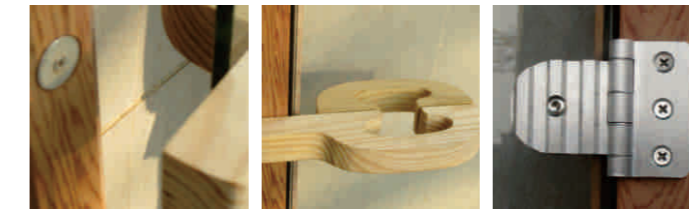
SDW系列Series



SDM系列Series

桑拿门细节图

Detail of sauna door



桑拿门尺寸材料及其型号规格

Choices of different materials and specifications of sauna door

| 型号Model | 规格 Specifications(mm) | 玻璃厚度Glass thickness | 材质选择 Wood option |
|--|----------------------------|------------------------------|--|
| SDZ系列Series SDO系列Series SDW系列Series SDM系列Series | 1860*680*95 1860*780*95 | 6mm (可选Optional 8mm,10mm) | 北欧松木Nordic pine 加拿大红雪松western red cedar |

注：可根据需求定制尺寸

Note: Dimensions can be customized according to requirements.

Sauna Accessories

桑拿附件

| | | | | |
|---|---|---|---|---|
|  WZ-01 沐浴折叠凳 Bathing folding stool |  WZ-02 木桶木勺 Bucket and spoon |  WZ-03 工艺型木桶木勺 Handcraft type bucket and spoon |  WZ-04 不锈钢豪华桑拿桶勺 Luxury stainless steel sauna tub and scoop |  WZ-05 工艺铁桶 Handcraft Sauna tub and scoop |
|  WZ-01 木桶木勺 Bucket and spoon |  WZ-02 木桶木勺 Bucket and spoon |  WJ-07 温湿度计 Thermo hygrometer |  WJ-10B 木质双表温湿度计 Wooden Thermo hygrometer |  WJ-05 木质热情温度计 Wooden hot thermometer |
|  WJ-10 木质双表温湿度计 Wooden Thermo hygrometer |  WJ-10C 木质双表温度计 Wooden Thermo hygrometer |  WJ-15 工艺型木屋温度计 Handcraft type cabin thermometer |  WJ-11 桑拿木钟 Sauna wooden clock |  WJ-12 桑拿木钟 Sauna wooden clock |
|  WJ-13 桑拿木钟 Sauna wooden clock |  WZ-05 计时沙钟 Sand timer |  WZ-05A 计时沙钟 Sand timer |  WZ-05B 计时沙钟 Sand timer |  WZ-06 计时沙钟 Sand timer |
|  FD-01 桑拿灯 Sauna lamp |  FD-02 桑拿灯 Sauna lamp |  WZ-07 桑拿枕垫 Pillow |  WZ-07 出入口 Sauna Room Vent |  WZ-08 木质灯罩 Wooden Lamp Shade |
|  WZ-10 木质灯罩 Wooden Lamp Shade |  WZ-16 桑拿门拉手 Sauna Door Handle |  WZ-15 桑拿门拉手 Sauna Door Handle | | |



Outdoor hot tub

户外木桶浴

注：可根据需求进行搭配（外置炉,内置炉,带循环系统）详询销售员。
Can be matched according to the needs (external stove, inner stove, with circulation system)

柯亚公司最新的户外木桶浴，采用加拿大红雪松，天然防腐防虫。客人可根据需要选用木材燃烧炉或是电加热炉，另外还可以选配过滤和按摩系统。

我们标准配置共有四类尺寸可供选择：
1.5m（直径），1.8m（直径）和2.1m（直径）
适用于3-8人，1900*900*600mm适用于2人。



We select the best western red cedar for its natural resistance to rusts and insects. Customer could choose the wood-burning heater or electric water heater. Filtration system and massage system is also available.

Our standard configuration's size(diameter):
1500mm,1800mm,2100mm are suitable for 3-8person,
and 1900*900*600mm is suitable for 2persons.

WSPA Outdoor hot tub Series

WSPA 户外木桶浴系列



现代生活方式追求更自然,更健康的方式享受日常生活。豪华多功能按摩热水浴缸保持了经典浴缸的灵魂,更重要的是它将疗法与娱乐完美结合,为人们提供更高更好的生活品质。

modern life style pursues more natural and healthier way to enjoy everyday, Luxurious multi-function massage hot tub maintains the soul of the classic bath, while more importantly it perfectly combines therapy and entertainment together, so as to offer people higher and better life quality.

产品特点:

- 桶体采用模块化结构设计方便拼装,由加大红雪松打造具备防腐防水功能,配有卷帘式木桶保温盖
- WSPA木澡桶具备多功能水力按摩喷嘴功能,实现全方位的背部按摩
- 桶底布置多孔起泡脚底按摩喷嘴功能,实现全方位的足部按摩
- 木澡桶配有运行可靠的中央控制系统使用方便
- 木澡桶配有自动循环过滤系统,恒温系统,水底氛围灯使用方便
- 根据加热需求可配置外接热水炉,实现水温快速加热功能

Features:

- Made of Canadian red cedar which is naturally resistant to insects and rot. Equipped with insulation cover. Easy to install.
- Strong-current hydraulic massage nozzle for full range of back massage.
- Air bubbling nozzles for foot massage and cooling refreshment.
- Reliable and waterproof control system.
- Integrated automatic filtration system and water heating system for easy operation and maintenance. Also equipped with chromotherapy LED light system
- External wood burning water heater is available on client's demand for fast heating.

技术数据: Technical data

| 系列/型号 Series/Model | 规格 Specifications(mm) | 人数 Capacity | 材质选择 Wood option |
|-----------------------|--------------------------|----------------|--|
| WSPA-1500 | Φ1500*1200 | 3-4人 (Person) | 加拿大清材红雪松(清材) Canadian Western Red Cedar (Clear) |
| WSPA-1800 | Φ1800*1200 | 5-6人 (Person) | 加拿大清材红雪松(清材) Canadian Western Red Cedar (Clear) |
| WSPA-2100 | Φ2100*1200 | 7-8人 (Person) | 加拿大清材红雪松(清材) Canadian Western Red Cedar (Clear) |

WO Outdoor hot tub Series

WO 户外木桶浴系列



WHT-WO1906 2人Person

技术数据: Technical data

| 型号 Model | 规格 Specifications(mm) | 人数 Capacity | 材质选择 Wood option |
|-------------|--------------------------|----------------|--|
| WHT-WO1509 | Φ1500*900 | 3-4人 (Person) | 加拿大清材红雪松(清材) Canadian Western Red Cedar (Clear) |
| WHT-WO1809 | Φ1800*900 | 4-6人 (Person) | 加拿大清材红雪松(清材) Canadian Western Red Cedar (Clear) |
| WHT-WO2109 | Φ2100*900 | 6-8人 (Person) | 加拿大清材红雪松(清材) Canadian Western Red Cedar (Clear) |
| WHT-WO1512 | Φ1500*1200 | 3-4人 (Person) | 加拿大清材红雪松(清材) Canadian Western Red Cedar (Clear) |
| WHT-WO1812 | Φ1800*1200 | 4-6人 (Person) | 加拿大清材红雪松(清材) Canadian Western Red Cedar (Clear) |
| WHT-WO2112 | Φ2100*1200 | 6-8人 (Person) | 加拿大清材红雪松(清材) Canadian Western Red Cedar (Clear) |
| WHT-WO1906 | 1900*900*600 | 2人Person | 加拿大清材红雪松(清材) Canadian Western Red Cedar (Clear) |

WI Outdoor hot tub Series

WI 户外木桶浴系列



技术数据: Technical data

| 型号 Model | 规格 Specifications(mm) | 人数 Capacity | 材质选择 Wood option |
|-------------|--------------------------|----------------|--|
| WHT-WI1509 | Φ1500*900 | 2-3人 (Person) | 加拿大清材红雪松(清材) Canadian Western Red Cedar (Clear) |
| WHT-WI1809 | Φ1800*900 | 3-4人 (Person) | 加拿大清材红雪松(清材) Canadian Western Red Cedar (Clear) |
| WHT-WI2109 | Φ2100*900 | 4-5人 (Person) | 加拿大清材红雪松(清材) Canadian Western Red Cedar (Clear) |
| WHT-WI1512 | Φ1500*1200 | 2-3人 (Person) | 加拿大清材红雪松(清材) Canadian Western Red Cedar (Clear) |
| WHT-WI1812 | Φ1800*1200 | 3-4人 (Person) | 加拿大清材红雪松(清材) Canadian Western Red Cedar (Clear) |
| WHT-WI2112 | Φ2100*1200 | 4-5人 (Person) | 加拿大清材红雪松(清材) Canadian Western Red Cedar (Clear) |

WF Outdoor hot tub Series

WF 户外木桶浴系列



技术数据: Technical data

| 型号 Model | 规格 Specifications(mm) | 人数 Capacity | 材质选择 Wood option |
|-------------|--------------------------|----------------|--|
| WHT-WF1509 | Φ1500*900 | 3-4人 (Person) | 加拿大清材红雪松(清材) Canadian Western Red Cedar (Clear) |
| WHT-WF1809 | Φ1800*900 | 4-6人 (Person) | 加拿大清材红雪松(清材) Canadian Western Red Cedar (Clear) |
| WHT-WF2109 | Φ2100*900 | 6-8人 (Person) | 加拿大清材红雪松(清材) Canadian Western Red Cedar (Clear) |
| WHT-WF1512 | Φ1500*1200 | 3-4人 (Person) | 加拿大清材红雪松(清材) Canadian Western Red Cedar (Clear) |
| WHT-WF1812 | Φ1800*1200 | 4-6人 (Person) | 加拿大清材红雪松(清材) Canadian Western Red Cedar (Clear) |
| WHT-WF2112 | Φ2100*1200 | 6-8人 (Person) | 加拿大清材红雪松(清材) Canadian Western Red Cedar (Clear) |

EF Outdoor hot tub Series

EF 户外木桶浴系列



技术数据: Technical data

| 型号 Model | 规格 Specifications(mm) | 人数 Capacity | 材质选择 Wood option |
|-------------|--------------------------|----------------|--|
| WHT-EF1509 | Φ1500*900 | 3-4人 (Person) | 加拿大清材红雪松(清材) Canadian Western Red Cedar (Clear) |
| WHT-EF1809 | Φ1800*900 | 4-6人 (Person) | 加拿大清材红雪松(清材) Canadian Western Red Cedar (Clear) |
| WHT-EF2109 | Φ2100*900 | 6-8人 (Person) | 加拿大清材红雪松(清材) Canadian Western Red Cedar (Clear) |
| WHT-EF1512 | Φ1500*1200 | 3-4人 (Person) | 加拿大清材红雪松(清材) Canadian Western Red Cedar (Clear) |
| WHT-EF1812 | Φ1800*1200 | 4-6人 (Person) | 加拿大清材红雪松(清材) Canadian Western Red Cedar (Clear) |
| WHT-EF2112 | Φ2100*1200 | 6-8人 (Person) | 加拿大清材红雪松(清材) Canadian Western Red Cedar (Clear) |

WEF Outdoor hot tub Series

WEF 户外木桶浴系列



| 型号 Model | 规格 Specifications(mm) | 人数 Capacity | 材质选择 Wood option |
|-------------|--------------------------|----------------|--|
| WHT-WEF1509 | Φ1500*900 | 3-4人 (Person) | 加拿大清材红雪松(清材) Canadian Western Red Cedar (Clear) |
| WHT-WEF1809 | Φ1800*900 | 4-6人 (Person) | 加拿大清材红雪松(清材) Canadian Western Red Cedar (Clear) |
| WHT-WEF2109 | Φ2100*900 | 6-8人 (Person) | 加拿大清材红雪松(清材) Canadian Western Red Cedar (Clear) |
| WHT-WEF1512 | Φ1500*1200 | 3-4人 (Person) | 加拿大清材红雪松(清材) Canadian Western Red Cedar (Clear) |
| WHT-WEF1812 | Φ1800*1200 | 4-6人 (Person) | 加拿大清材红雪松(清材) Canadian Western Red Cedar (Clear) |
| WHT-WEF2112 | Φ2100*1200 | 6-8人 (Person) | 加拿大清材红雪松(清材) Canadian Western Red Cedar (Clear) |

Steam room

Steam Room Series

蒸汽房



在温馨宁静的氛围里，被艺术的气息包围，仿若沉醉自我，忘记所有生活刻意的安排。极致呵护，只为舒适的梦想。

In the warm atmosphere of quiet, surrounded by art atmosphere, like self absorbed, forget all the life deliberate arrangement. Extreme care, only comfortable dream.

蒸汽房系列产品主要具有几大功能特点：

Steam room series products mainly have several functions as follows:

设计的座椅符合人体工程学宽大舒适；弧形的房顶增加空间感，整体尺寸宽大，结构新颖；

房体材料选用新型环保的高档复合亚克力，美观坚固，表面光滑易于清洗，除标准厚度6mm外，可根据客户要求增减厚度，表面有光平面和皱纹平面两种选择；

Steam chair is specially design for ergonomics, it feels more comfortable for sitting; Curved roof increases the sense of space. Big overall size and fashionable design.

KEYA steam room is made of high quality environment-friendly acrylic material, which is aesthetic, durable and easy to clean. Besides the standard thickness of 6mm, we can also make 8mm or 5mm thickness according to customers' requests. There are two options, one is wrinkle surface, the other is smooth surface.



在房体内可选择各种款式的桑拿灯。

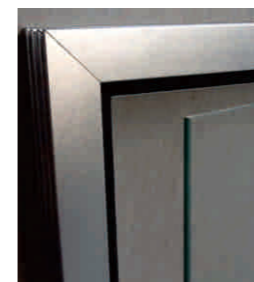
还可以在房顶或座下安装高亮度幻彩灯，通过控制面板实现变形或定彩。Many kinds of sauna lamps are available.

Users can require to install high-power color lights and they can change the color or keep the color through the control panel.

蒸汽房门选用高强度磁吸钢化玻璃门，具有良好的强度和密封性，玻璃除标准厚度6mm外，本公司还可订做8mm厚度高强度蒸汽门。

加宽的门框和门把手均采用经喷砂氧化处理成银色的高档铝合金材料制作；特别推荐几款豪华型结构：采用加宽尺寸的玻璃墙和铝合金门框，在强调密闭空间节能的同时，尽可能给予客户更开阔的视野和良好的采光性，使房间宽敞明亮，更好展现其豪华时尚的风采；我们还考虑到尽可能兼顾蒸汽房的多用性，在房内可安装冷热水恒温龙头和水力按摩花洒系统，满足客户淋浴和蒸汽的要求也可在墙上安装扶手，沐浴露及毛巾支架等；

All the broadened door frame and handle are made from the High-grade aluminium alloy material, they are silver with the sand blast treatment. Hereby, we strongly recommend several Luxurious model for you. They use widen glass wall and aluminium door frame. We not only emphasize enough space and energy saving, but also always to provide more good view to make the room is full of light and modern fashion flavor. Moreover, we consider to take care of the steam room's versatility. Users not only could install the temperature control valve core and water massage sprinkler system, but also they can install armrests, body wash and towel hanger to meet their bath shower and steam's need.



KEYA Steam room door is made of high-standard tempered glass with magnetic catch and rubber sealing strip, which makes the door durable and with good sealing ability. We could also manufacture high quality steam room door of 8mm thickness rather than standard 6mm.

蒸汽门系列 Steam Door Series

铝合金蒸汽门

Aluminium steam door

不锈钢蒸汽门

Stainless steel steam door



SDA系列Series



SDB系列Series



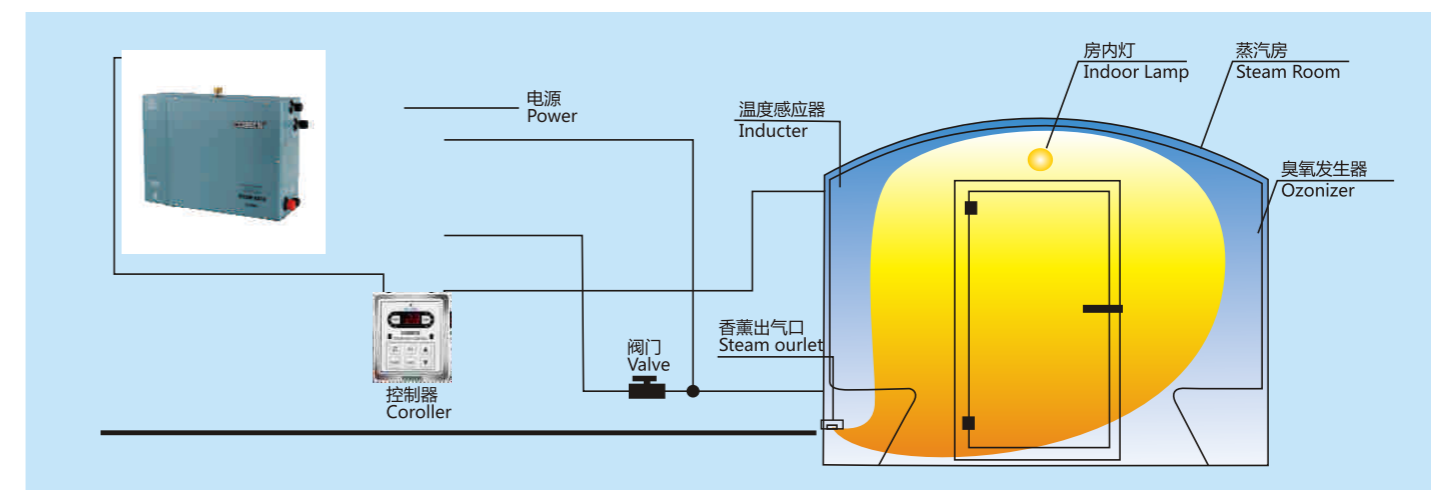
| 型号Model | 规格 Specifications(mm) | 玻璃厚度Glass thickness |
|-------------|-----------------------|------------------------------|
| SDA系列Series | 1860*680*95 | 6mm (可选Optional 8mm,10mm) |
| SDB系列Series | 1860*780*95 | |

注：可根据需求定制尺寸

Note: Dimensions can be customized according to requirements.

蒸汽机与蒸汽房工作原理图：

Schematic Diagram of steamer and steam room:





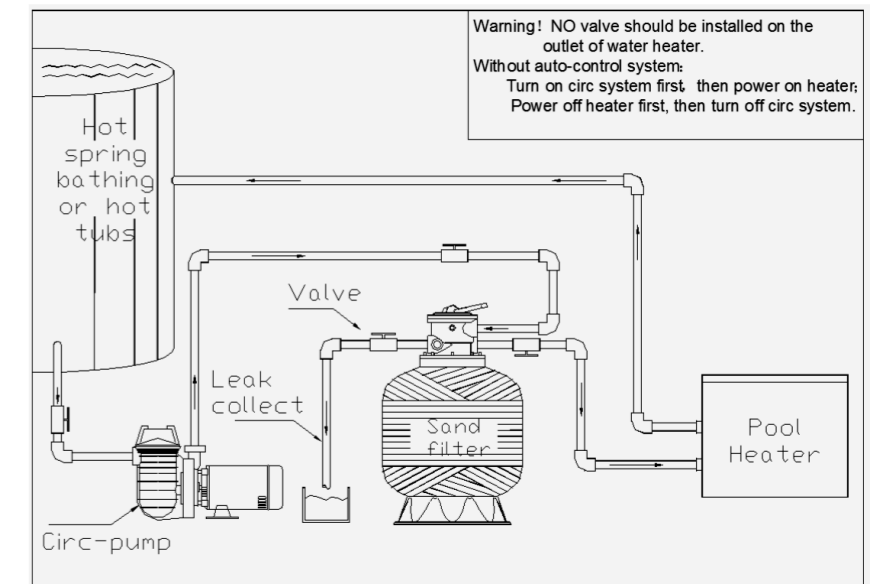
| 型号Model | 尺寸规格Specification MM | 型号Model | 尺寸规格Specification MM |
|---------|----------------------|---------|----------------------|
| 5A | 1500*1500*2200 | 12E | 2540*3140*2250 |
| 6A | 2500*1900*2200 | 16E | 3740*3140*2250 |
| 8A | 3100*1900*2200 | 18E | 4340*3140*2250 |
| 10A | 3700*1900*2200 | 20E | 4940*3140*2250 |
| 12A | 4300*1900*2200 | 7F | 3140*1340*2250 |
| 14A | 4900*1900*2200 | 10F | 3140*1940*2250 |
| 16A | 5500*1900*2200 | 12F | 3140*2540*2250 |
| 1B | 880*900*2100 | 14F | 3140*3140*2250 |
| | 1050*1120*2150 | 16F | 3140*3740*2250 |
| | 1120*1120*2100 | 18F | 3140*4340*2250 |
| 2B | 1050*950*2100 | 20F | 3140*4940*2250 |
| | 1300*1020*2100 | 2G(小) | 1180*1160*2100 |
| | 1300*1200*2150 | 2G(大) | 1340*1270*2150 |
| | 1300*1100*2150 | | |
| 4B | 1900*1300*2250 | | |
| 6B | 1900*1900*2200 | | |
| 8B | 1900*2500*2200 | | |
| 10B | 1900*3100*2200 | | |
| 12B | 1900*3700*2200 | | |
| 14B | 1900*4300*2200 | | |
| 16B | 1900*4900*2200 | | |
| 10C | 2540*2120*2200 | | |
| 12C | 3140*2120*2200 | | |
| 14C | 3740*2120*2200 | | |
| 16C | 4340*2120*2200 | | |
| 18C | 4940*2120*2200 | | |
| 20C | 5540*2120*2200 | | |
| 4D | 2120*1340*2200 | | |
| 6D | 2120*1340*2200 | | |
| 7D | 2120*1940*2200 | | |
| 8D | 2120*1940*2200 | | |
| 9D | 2120*2540*2200 | | |
| 10D | 2120*2540*2200 | | |
| 12D | 2120*3140*2200 | | |
| 14D | 2120*3740*2200 | | |
| 16D | 2120*4340*2200 | | |
| | | | |



恒温器

COASTS恒温器为2KW-60KW， 我们也可以根据客人需求,定制最大270KW的超大功率恒温器。

The COASTS pool heater is from 2KW to 60KW, and we could also customize the pool heater up to 270KW according to client request.

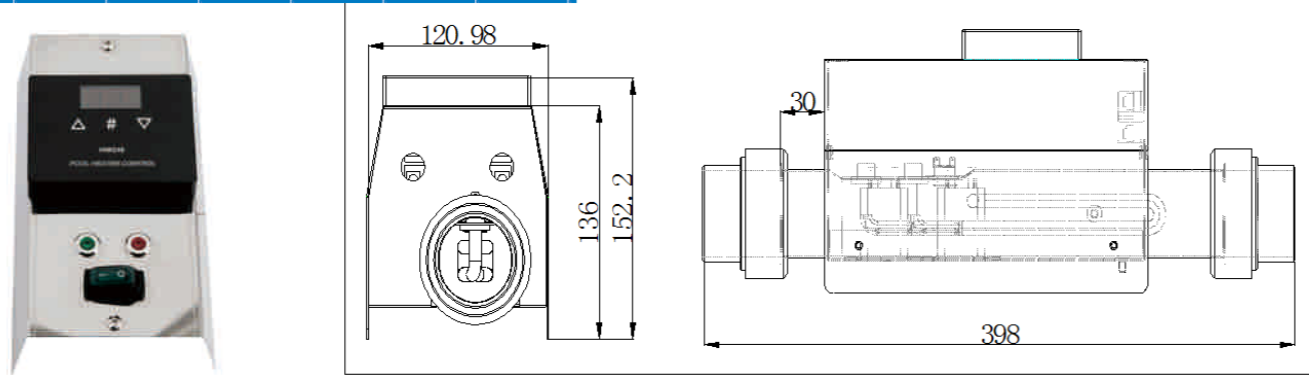


CT Series Heater

CT系列电子控制式恒温器



外形结构图 : Dimension chart



CT 系列恒温器 (带循环水泵控制系统,并带风泵和按摩泵的控制输出)
CT series pool heater with circulation pump control,and optional control to air pump and massage pump.

CT系列恒温器配有防水触摸数显控制器,并内置循环水泵控制系统,客人不用再额外安装循环水泵的开关和控制设备,大幅简化了循环系统的安装和使用,节约了客人的使用和安装成本,并且保证了恒温器的安全使用.适用于需要循环过滤与恒温加热的家庭按摩浴缸和SPA缸。

The CT series pool heater equips with waterproof touch button digital controller, and integrated control system for circulating pump, so client does not need to install separate control devices for circulation pump, which significantly simplifies the installation and operation of the circulation system. It also greatly save the money and guarantee the safe operation of pool heater. Suitable for family massage bathtubs and SPA hot tub.

技术数据: Technical data

| 型号 Model | 功率 Power(KW) | 工作电压 Voltage (50/60Hz) | 额定电流 Current(A) | 电源线 Power cord(N*mm ²) | 管口直径 Pipe diameter(inch) | 配线 Wire(mm ²) |
|-------------|-----------------|------------------------------|--------------------|--|--------------------------------|------------------------------|
| CT-2 | 2 | 220 | 9 | 1 | 1 1/2" | 3×2.5 |
| CT-3 | 3 | 220 | 14 | 1 | 1 1/2" | 3×4 |

注:能够符合的循环水泵的最大功率: 1.5HP/50~60HZ/220-240V ,单相
Note: Maximum Power of the circulation pump: 1.5HP/50~60HZ/220-240V, single phase

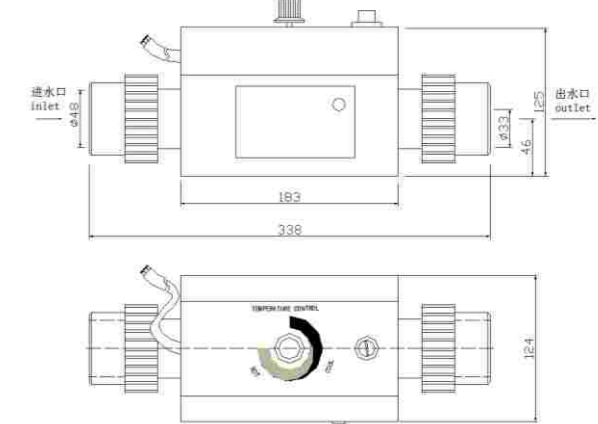
B Series Heater

B系列恒温器

B系列 B Series



外形结构图 : Dimension chart



技术数据: Technical data

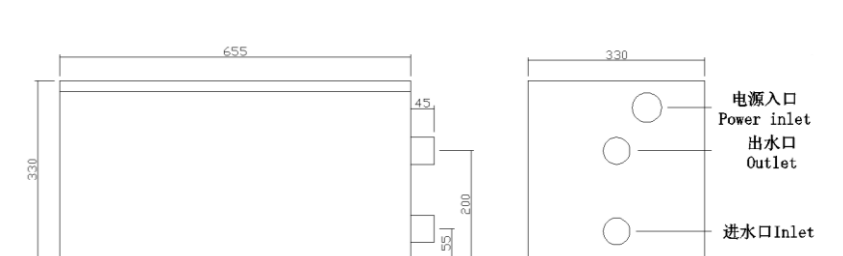
| 型号 Model | 功率 Power(KW) | 工作电压 Voltage | 额定电流 Current(A) | 相数 Phase(-) | 管口直径 Pipe diameter(inch) | 配线 Wire(mm ²) |
|-------------|-----------------|-----------------|--------------------|----------------|--------------------------------|------------------------------|
| B-M2 | 2 | 220 | 9 | 1 | 1 1/2" | 3×2.5 |
| B-M3 | 3 | 220 | 14 | 1 | 1 1/2" | 3×4 |

(C)ST, (C)PHS 系列恒温器

(C)ST, (C)PHS series pool



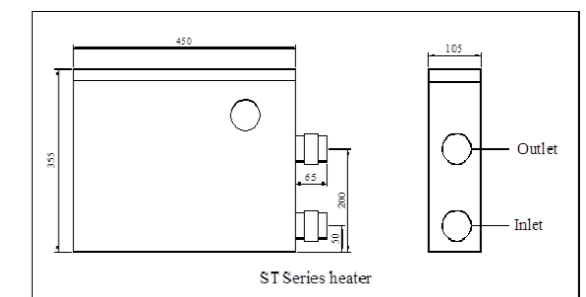
外形结构图 : Dimension chart



PHS系列恒温器 PHS Series heater

- 防水触摸数显面板
- 使用流动温度传感技术取代传统机械开关,避免开关失灵导致的故障,减少更换流体开关的费用
- 智能自检系统全面监控系统运行状态,并迅速做出相应判断并显示,避免损坏元器件,便于问题的解决和维护。
- 使用316高等级不锈钢电热管,更好的抗腐蚀性。
- 分段启动功能,减少对供电线路的冲击。

- Waterproof touch button digital controller
- Patented Flow-Temp technology to replace traditional mechanical flow switch, so as to avoid major problems of pool heater caused by the flow switch and save costs
- Intelligent self-diagnose function which monitoring the system operation all time to provide instant error reaction and hint message, so as to avoid damage and easy for maintenance
- SS316 grade stainless steel heating elements which is better against corrosion
- Start by segment to reduce impact to the electricity system



CST, CPHS 系列恒温器(带循环水泵控制系统,并带风泵和按摩泵的控制输出)

CST, CPHS series pool heater with circulation pump control, and optional control to air pump and massage pump.

ST/PHS 恒温器可升级为 内置循环水泵控制系统的CST/CPHS 恒温器, 客人不用再额外安装循环水泵的开关和控制设备, 大幅简化了循环系统的安装和使用, 节约了客人的使用和安装成本, 并且保证了恒温器的安全使用.适用于需要循环过滤与恒温加热的小型泳池.

ST/PHS series pool heater could be upgraded to CST/CPHS pool heater which integrated control system for circulating pump, so client does not need to install separate control devices for circulation pump, which significantly simplifies the installation and operation of the circulation system. It also greatly save the money and guarantee the safe operation of pool heater.Suitable for swimming pool.

技术数据: Technical data

| 型号 Model | 功率 Power(KW) | 工作电压 Voltage (50/60Hz) | 额定电流 Current(A) | 电源线 Power cord(N*mm2) | 管口直径 Pipe diameter(inch) | 外形尺寸 Outline size(mm) | | |
|-----------|--------------|------------------------|-----------------|-----------------------|--------------------------|-----------------------|--------|-------------|
| (C)ST-5.5 | 5.5 | 220-240V~ | 25 | 3*6.0 | 1 1/2" | 450*105*355 | | |
| | | 380-415V 3N~ | 9 | 5*2.5 | | | | |
| (C)ST-7.5 | 7.5 | 220-240V~ | 34 | 3*6.0 | | | | |
| | | 380-415V 3N~ | 12 | 5*2.5 | | | | |
| (C)ST-9 | 9.0 | 220-240V~ | 41 | 3*10 | | | | |
| | | 380-415V 3N~ | 14 | 5*6.0 | | | | |
| (C)ST-11 | 11 | 220-240V~ | 50 | 3*10 | | | | |
| | | 380-415V 3N~ | 17 | 5*4.0 | | | | |
| (C)ST-15 | 15 | 220-240V~ | 68 | 3*16 | | | | |
| | | 380-415V 3N~ | 23 | 5*6.0 | | | | |
| (C)ST-18 | 18 | 380-415V 3N~ | 28 | 5*6.0 | | | 1 1/2" | 606*330*330 |
| (C)PHS-18 | 18 | 380-415V 3N~ | 28 | 5*6.0 | | | | |
| (C)PHS-21 | 21 | 380-415V 3N~ | 32 | 5*6.0 | | | | |
| (C)PHS-24 | 24 | 380-415V 3N~ | 37 | 5*10 | | | | |
| (C)PHS-30 | 30 | 380-415V 3N~ | 46 | 5*10 | | | | |
| (C)PHS-36 | 36 | 380-415V 3N~ | 55 | 5*16 | | | | |
| (C)PHS-42 | 42 | 380-415V 3N~ | 64 | 5*16 | | | | |
| (C)PHS-45 | 45 | 380-415V 3N~ | 68 | 5*16 | | | | |
| (C)PHS-48 | 48 | 380-415V 3N~ | 73 | 5*25 | | | | |
| (C)PHS-54 | 54 | 380-415V 3N~ | 82 | 5*25 | | | | |
| (C)PHS-60 | 60 | 380-415V 3N~ | 91 | 5*25 | 2" | 606*330*330 | | |

注:负荷循环水泵的功率: (<3HP/50~60HZ/220-415V, 单相或三相)

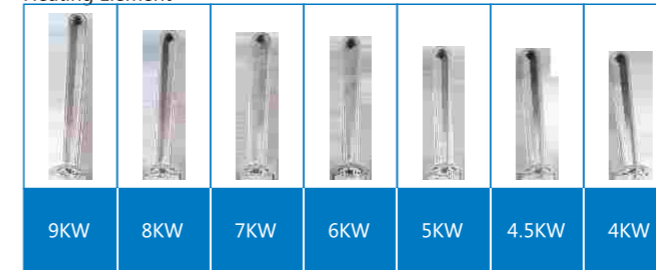
Note: Maximum Power of the circulation pump: (<3HP/50~60HZ/220-415V, single or three phase)

Heater Fittings

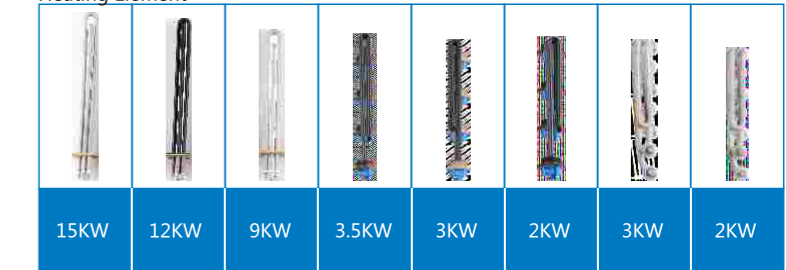
恒温器配件



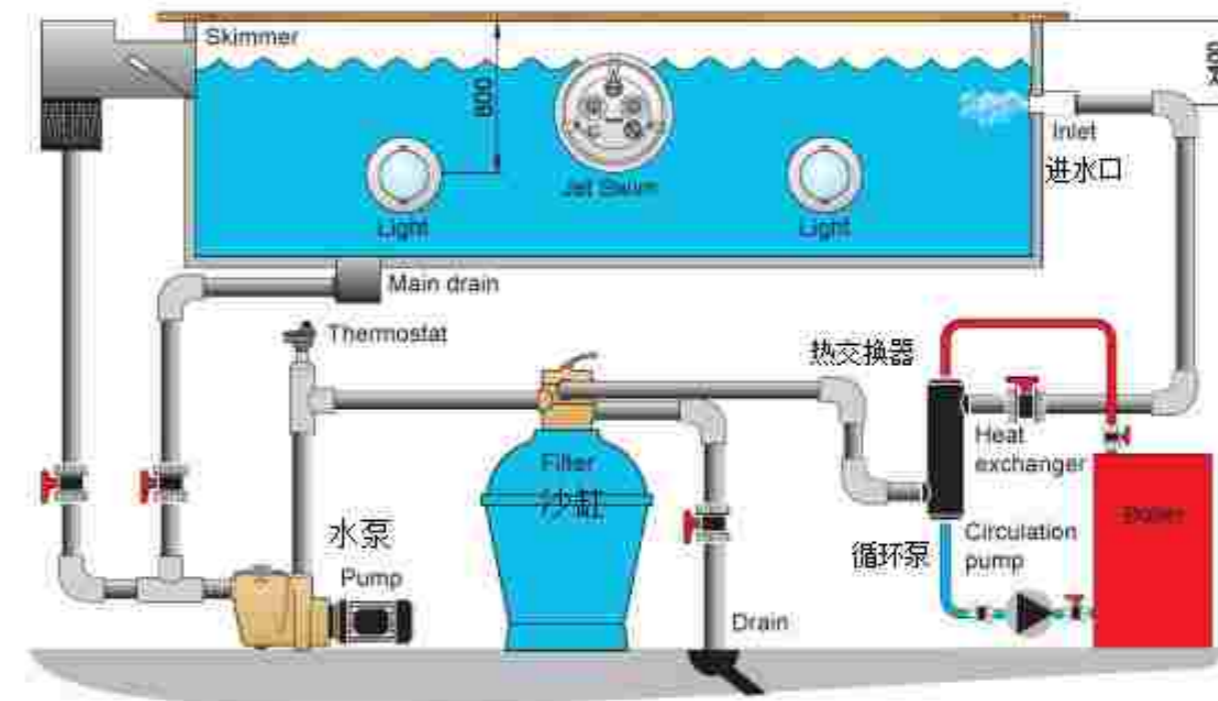
电热管
Heating Element



电热管
Heating Element



热交换器安装示意图



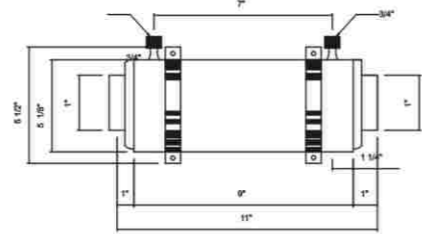
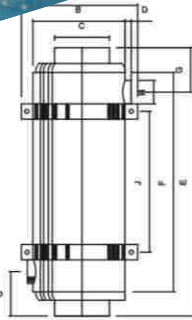
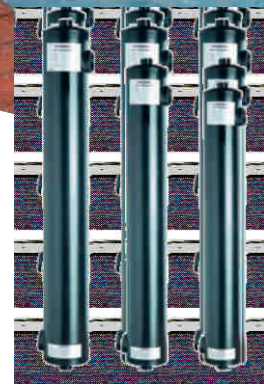
Installation diagram for heat exchanger

Heat-Exchanger Series

热交换器系列

热交换机: Heat-Exchanger

外形结构图: Dimension chart



技术数据: Technical data

| 型号 Model | A | B | C | D | E | F | G | H | J | K | 磅 Weight(lb) |
|-------------|--------------------|-------|----|------|--------|--------|-------|-------|--------|-------|-----------------|
| MF-135 | 51/2" | 51/8" | 1" | 1/4" | 131.2" | 11" | 3" | 11.2" | 4" | 31.2" | 8 |
| MF-200 | 51/2" | 51/8" | 1" | 1/4" | 183.4" | 16" | 3" | 11.2" | 9" | 31.2" | 11 |
| Mf260 | 51/2" | 51/8" | 1" | 1/4" | 233.4" | 211.4" | 3" | 11.2" | 14" | 31.2" | 14 |
| MF-400 | 51/2" | 51/8" | 1" | 1/4" | 413.4" | 393.8" | 31/2" | 2" | 311.2" | 4" | 24 |
| Mf80 | 见上图 (See figure) | | | | | | | | | | |

柯仕热交换器FM系列 "COASTS" Heat Exchange MF Series

| 型号 Model | 输出热量 Output Heat | | | 热水流量 Hot Water Flow | | 冷水流量 Cold Water Flow | | 表面热传递 Surface Heat Transfer | | 泳池面积 Volume |
|-------------|---------------------|-----|--------|------------------------|-------|-------------------------|-------|--------------------------------|------|----------------|
| | Btu/hr | KW | Kca/h | Ft | L/min | Ft | L/min | Sq-ft | m | m2 |
| MF-80 | 95.00 | 25 | 20.00 | 1.8 | 30 | 0.3 | 25 | 2.0 | 0.2 | <30 |
| MF-135 | 135.00 | 40 | 34.00 | 1.0 | 25 | 2.7 | 200 | 3.2 | 0.3 | 30-60 |
| MF-200 | 200.00 | 60 | 51.00 | 1.7 | 30 | 4.5 | 250 | 4.8 | 0.45 | 60-75 |
| MF-260 | 260.00 | 75 | 65.00 | 2.3 | 35 | 6.0 | 300 | 6.4 | 0.6 | 75-116 |
| MF-400 | 400.00 | 120 | 100.00 | 6.0 | 50 | 8.0 | 360 | 11.8 | 1.1 | 115 |

注: 此数据表示泳池的水每小时升温0.5°C的参考版, 该数据受外界环境影响。

Remark: The data is reference for the pool water of going up by 0.5c perhour. And this data will be affected by environment



Sand Filter Series

沙缸系列



Sand Filter Series

沙缸系列

顶式沙缸：
Sand Filter(Top-mount valve)



外形结构图：Dimension chart



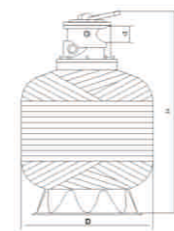
技术数据: Technical data

| 型号Model | 直径 Diameter (mm) | 高Height (H) | 管口直径 Diameter of pipe (D) | 滤沙量 Sand (KG) | 工作压力 Working pre (kg/cm ²) | 试验压力 Testing pre (kg/cm ²) | 设计流量 Design flow (m ³ /h) |
|------------|------------------|-------------|---------------------------|---------------|--|--|--------------------------------------|
| CF(T)-400 | 400 | 710 | 4(1 1/2") | 40 | 2.5 | 4 | 6 |
| CF(T)-450 | 450 | 805 | 4(1 1/2") | 50 | 2.5 | 4 | 7.6 |
| CF(T)-550 | 550 | 847 | 4(1 1/2") | 90 | 2.5 | 4 | 11.5 |
| CF(T)-650 | 650 | 970 | 4(1 1/2") | 150 | 2.5 | 4 | 16.5 |
| CF(T)-700 | 700 | 974 | 4(1 1/2") | 220 | 2.5 | 4 | 18 |
| CF(T)-800 | 800 | 1157 | 50(2") | 280 | 2.5 | 4 | 24 |
| CF(T)-900 | 900 | 1165 | 50(2") | 350 | 2.5 | 4 | 30 |
| CF(T)-1000 | 1000 | 1281 | 50(2") | 450 | 2.5 | 4 | 32 |
| CF(T)-1100 | 1100 | 1342 | 50(2") | 525 | 2.5 | 4 | 33 |
| CF(T)-1200 | 1200 | 1404 | 50(2") | 600 | 2.5 | 4 | 34 |

亚克力沙缸：Acrylic Sand Filter



外形结构图：Dimension chart



技术数据: Technical data

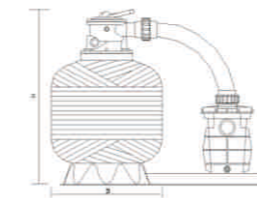
| 型号Model | 直径 Diameter (mm) | 高Height (H) | 管口直径 Diameter of pipe (D) | 滤沙量Sand (KG) | 工作压力 Working pre (kg/cm ²) | 试验压力 Testing pre (kg/cm ²) | 设计流量 Design flow (m ³ /h) |
|------------|------------------|-------------|---------------------------|--------------|--|--|--------------------------------------|
| CF(T)-400Y | 400 | 710 | 4(1 1/2") | 40 | 2.5 | 4 | 6 |
| CF(T)-450Y | 450 | 805 | 4(1 1/2") | 50 | 2.5 | 4 | 7.6 |
| CF(T)-550Y | 550 | 847 | 4(1 1/2") | 90 | 2.5 | 4 | 11.5 |
| CF(T)-650Y | 650 | 970 | 4(1 1/2") | 150 | 2.5 | 4 | 16.5 |
| CF(T)-700Y | 700 | 974 | 4(1 1/2") | 220 | 2.5 | 4 | 18 |



一体化沙缸：
Integrative sand filter



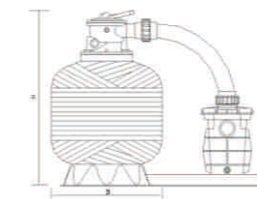
外形结构图：Dimension chart



一体化沙缸：
Integrative sand filter



外形结构图：Dimension chart



技术数据: Technical data

| 型号 Model No. | FC-400 | FC-450 | FC-500 | FC-650 | FC-700 |
|--|--------|--------|--------|--------|--------|
| 水泵 Pump | 0.5HP | 0.75HP | 1HP | 1.5HP | 2HP |
| 过滤面积 Filtration Area(Mm ²) | 0.13 | 0.16 | 0.22 | 0.3 | 0.312 |
| 高 Height(mm)±2% | 723 | 814 | 840 | 960 | 974 |
| 直径 Tank Dia(mm)±2% | 400 | 450 | 500 | 650 | 700 |
| 设计流量 Design Flow (m ³ /h) | 6 | 7.6 | 9.5 | 14 | 15.6 |
| 滤沙量 Silica Sand (kg) | 50 | 60 | 85 | 155 | 240 |
| 阀门尺寸 Valve Size (mm) | 40 | 40 | 40 | 40 | 40 |
| 最大工作压力 Maximum woring pressure : | 2.5BAR | | | | |
| 最高温度 Maximum Temperature : | <40°C | | | | |

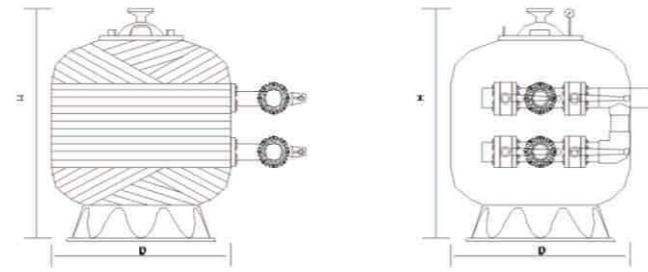
技术数据: Technical data

| 型号 Model No. | FC-400Y | FC-450Y | FC-500Y | FC-650Y | FC-700Y |
|--|---------|---------|---------|---------|---------|
| 水泵 Pump | 0.5HP | 0.75HP | 1HP | 1.5HP | 2HP |
| 过滤面积 Filtration Area(Mm ²) | 0.13 | 0.16 | 0.22 | 0.3 | 0.312 |
| 高 Height(mm)±2% | 723 | 814 | 840 | 960 | 974 |
| 直径 Tank Dia(mm)±2% | 400 | 450 | 500 | 650 | 700 |
| 设计流量 Design Flow (m ³ /h) | 6 | 7.6 | 9.5 | 14 | 15.6 |
| 滤沙量 Silica Sand (kg) | 50 | 60 | 85 | 155 | 240 |
| 阀门尺寸 Valve Size (mm) | 40 | 40 | 40 | 40 | 40 |
| 最大工作压力 Maximum woring pressure : | 2.5BAR | | | | |
| 最高温度 Maximum Temperature : | <40°C | | | | |

侧式沙缸SAND FILTER(Side-mounted)



外形结构图：Dimension chart

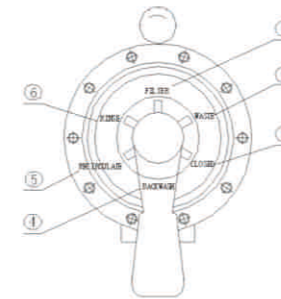


技术数据: Technical data

| 型号Model | 直径 Diameter (mm) | 高Height (H) | 管口直径 Diameter of pipe (D) | 滤沙量Sand (KG) | 工作压力 Working pre (kg/cm ²) | 试验压力 Testing pre (kg/cm ²) | 设计流量 Design flow (m ³ /h) |
|------------|-----------------------|---------------|-----------------------------------|-------------------|---|---|--|
| CF(S)-1200 | 1200 | 1450 | 3 | 1100 | 2.5 | 4 | 56 |
| CF(S)-1400 | 1400 | 1520 | 4 | 1300 | 2.5 | 4 | 77 |
| CF(S)-1600 | 1600 | 1760 | 4 | 2300 | 2.5 | 4 | 100 |
| CF(S)-1800 | 1800 | 1940 | 6 | 3500 | 2.5 | 4 | 125 |
| CF(S)-2000 | 2000 | 1960 | 6 | 4100 | 2.5 | 4 | 156.6 |

多向阀：Multiport Control

外形结构图：Dimension chart



- ① FILTER 过滤
- ② WASTE 排污
- ③ CLOSED 关闭
- ④ BACKWASH 反冲洗
- ⑤ RECIRCULATE 循环
- ⑥ RINSE 冲洗



阀芯
Valve spool



滤爪
Filter cartridge



不锈钢抗震压力表
Steel stainless shock-resistant
pressure gauge

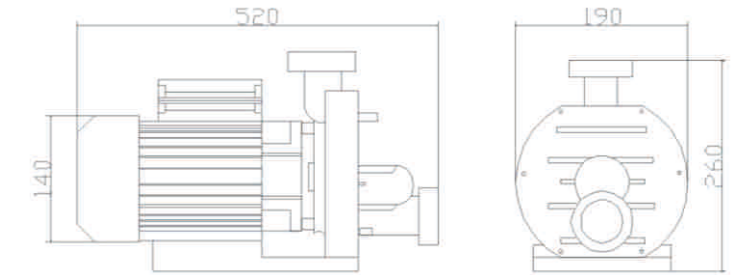


手柄
Handle

Water Pump Series

水泵系列

外形结构图：Dimension chart

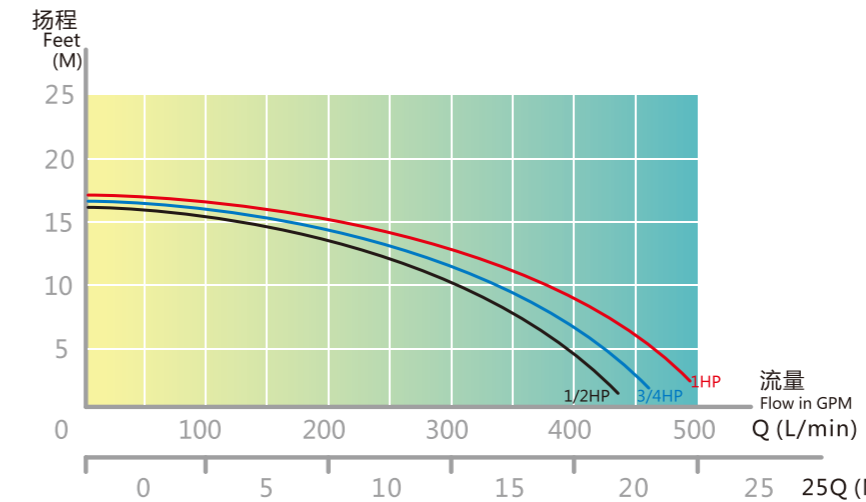


按摩浴缸泵及SPA循环泵
Water pump for massage bathtub and
SPA circulation pump



技术数据: Technical data

| 型号Model | 功率Power (HP) | 额定电压 Rated Voltage | 管径尺寸 Pipe Diameter (inch/mm) | 相数Phase (N~) | 最大流速Maximum Flow (L/min) | 最大扬程Maximum Lift(m) | 其他注释 |
|---------------|-------------------|-----------------------|--------------------------------------|----------------|-------------------------------|---------------------|---|
| SYL140-I2-100 | 1 | 220V 50HZ | 1.5/50 | 1~ | 275 | 11 | 可选带滤网或是不带滤网 With or without filter basket |
| SYL140-I3-100 | 1 | 380V 50HZ | 1.5/50 | 3~ | 275 | 11 | |
| SYL140-I2-56 | 0.75 | 220V 50HZ | 1.5/50 | 1~ | 240 | 10.5 | |
| SYL140-I2-35 | 0.5 | 220V 50HZ | 1.5/50 | 1~ | 240 | 10 | |



Water pump/Swimming pool pump 水泵

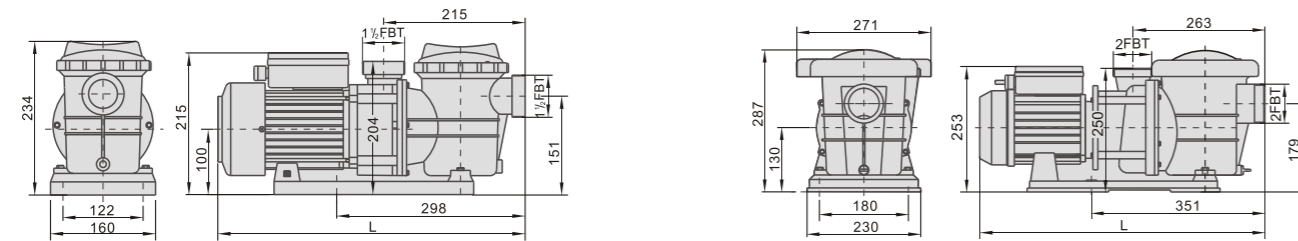
KE-35S KE-50S KE-75S KE-100S KE-120S



KE-150S KE-200S KE-250S KE-300S



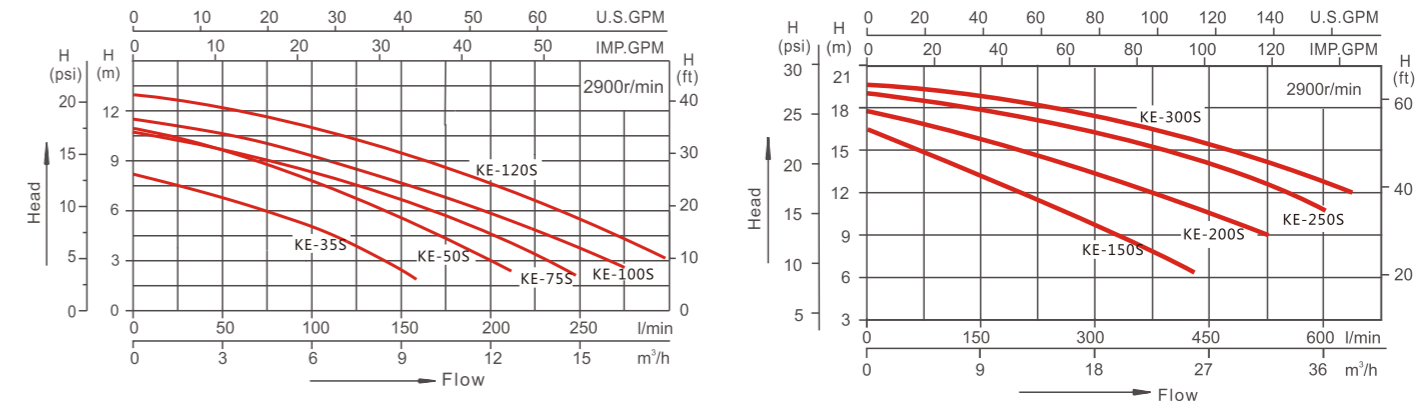
外形结构图：Dimension chart



技术数据: Technical data

| 型号 Model | 功率 Power(KW/HP) | 额定电压 Rated Voltage | 额定电流 Current(A) | 最大流量 Qmax(l/min) | 管径尺寸 Pipe Diameter | 重量 (KG) |
|-------------|--------------------|-----------------------|--------------------|---------------------|-----------------------|---------|
| KE-35S | 0.25/0.35 | 220-240V/50Hz | 1.6 | 160 | 48.5or50 | 6.5 |
| KE-50S | 0.37/0.5 | 220-240V/50Hz | 2.0 | 210 | 48.5or50 | 7 |
| KE-75S | 0.55/0.75 | 220-240V/50Hz | 3.2 | 240 | 48.5or50 | 8.8 |
| KE-100S | 0.75/1.0 | 220-240V/50Hz | 3.8 | 275 | 48.5or50 | 9.5 |
| KE-120S | 0.9/1.2 | 220-240V/50Hz | 4.6 | 300 | 48.5or50 | 9.8 |
| KE-150S | 1.1/1.5 | 220-240V/50Hz | 5.8 | 430 | 60.3or63 | 14 |
| KE-200S | 1.5/2.0 | 220-240V/50Hz | 7.0 | 520 | 60.3or63 | 15.5 |
| KE-250S | 1.85/2.5 | 220-240V/50Hz | 8.5 | 600 | 60.3or63 | 16.5 |
| KE-300S | 2.2/3.0 | 220-240V/50Hz | 10 | 635 | 60.3or63 | 18 |

性能曲线
Performance curves



Air Pump 风泵系列



220V风泵 220V Air pump



380V风泵 220V Air pump

| 序号 Number | 型号 Model | 马力 Motor(HP) | 额定电源 Rating Power | 最大风压 Maximum wind pressure(kpa) | 真空度 Vacuum (-kpa) | 最大风量 Maximum wind volume(m³/h) | 额定电流 Rating current (A) |
|-----------|--------------|-----------------|----------------------|------------------------------------|----------------------|-----------------------------------|----------------------------|
| 1 | HCY-550-C | 1 | 220V/50HZ | 15 | 12 | 95 | 3.6 |
| 2 | HCY-750-C | 1.5 | 220V/50HZ | 16 | 14 | 110 | 4.3 |
| 3 | HCY-1100-C | 2 | 220V/50HZ | 22 | 18 | 180 | 8.4 |
| 4 | HCY-1100a-C2 | 2 | 380V/Y220HZ/△ | 22 | 20 | 135 | Y2.8(±5) |
| 5 | HCY-1500-C | 3 | 380V/Y220HZ/△ | 22 | 18 | 218 | Y3.4(±6) |
| 6 | HCY-1500-C2 | 3 | 380V/Y220HZ/△ | 24 | 20 | 170 | Y3.4(±6) |
| 7 | HCY-2200-C | 3.5 | 380V/Y220HZ/△ | 33 | 25 | 260 | Y4.7(±8.2) |



One-step Swimming Pool Solution Provider

一站式泳池解决方案供应商

柯亚公司有着丰富的设计以及施工经验，可以提供整套的泳池方案，提供您所需要的设计服务，施工服务，相关产品的零售与批发。柯亚公司提供完整的泳池相关产品，因篇幅限制，无法将所有产品信息放入图册，我们的产品线还包括：

- 1.LED 池底灯
- 2.泳池塑料管件
- 3.泳池不锈钢附件
- 4.消毒与杀菌系统
- 5.泳池清洁用品
- 6.热泵，冷却泵，等等

请向我们的销售人员咨询，获取更多信息。

As the one-step swimming pool solution provider, KEYA is experienced in swimming pool design and construction. We could provide full solution for swimming projects from design service, to construction service, and also retail/wholesale of related products. Due to page limitation, we are not able to list all products in the catalogue, our product line also includes:

- 1.LED underwater lights
- 2.Swimming pool plastic fittings and accessories
- 3.Swimming pool stainless steel fittings and accessories
- 4.Disinfection and sterilization products.
- 5.Swimming pool cleaning products
- 6.Heat/Cooling pumps
- 7.And more...

Please contact our sales person for more information.